



US00D704545S

(12) **United States Design Patent**
Darmon

(10) **Patent No.:** **US D704,545 S**

(45) **Date of Patent:** **** May 13, 2014**

(54) **SHOEBOX**

D617,185 S * 6/2010 Wager D9/431
D688,552 S * 8/2013 Vernon et al. D9/431

(71) Applicant: **Christopher M. Darmon**, Portland, OR
(US)

* cited by examiner

(72) Inventor: **Christopher M. Darmon**, Portland, OR
(US)

Primary Examiner — Robert M Spear
Assistant Examiner — Rhea Shields

(**) Term: **14 Years**

(57) **CLAIM**

The ornamental design for a shoebox, as shown and described.

(21) Appl. No.: **29/459,693**

DESCRIPTION

(22) Filed: **Jul. 2, 2013**

(51) **LOC (10) Cl.** **09-03**

(52) **U.S. Cl.**
USPC **D9/414**

(58) **Field of Classification Search**
USPC D9/632, 504, 501, 435, 449, 454, 414,
D9/564, 772, 767, 716, 428, 424, 423, 418,
D9/431; 206/8, 278, 243; D11/131;
D7/691, 538; 229/117.23, 400, 939
See application file for complete search history.

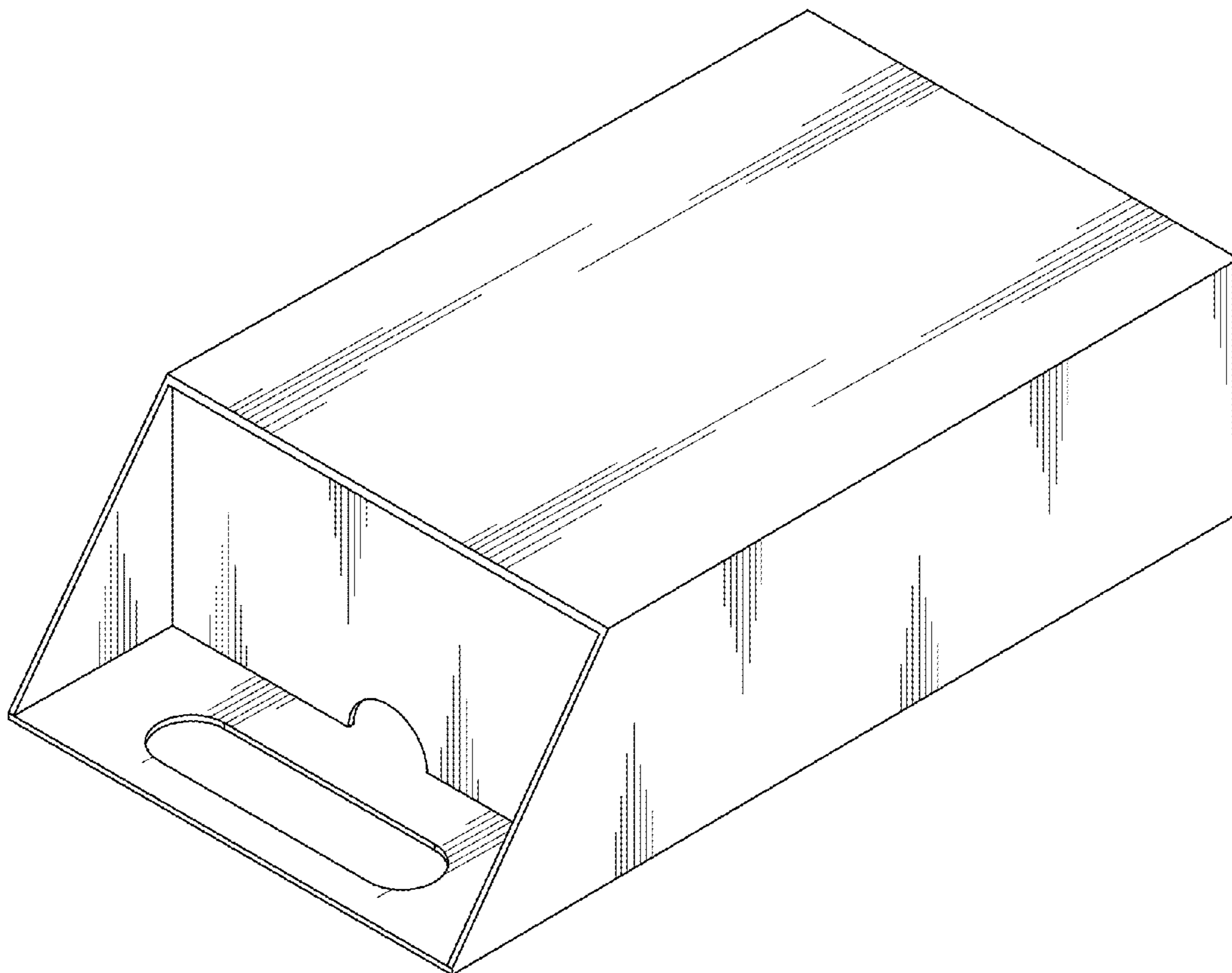
FIG. 1 is a top perspective view of a shoebox;
FIG. 2 is a bottom perspective view thereof;
FIG. 3 is a front elevational view thereof;
FIG. 4 is a rear elevational view thereof;
FIG. 5 is a left-side elevational view thereof;
FIG. 6 is a right-side elevational view thereof;
FIG. 7 is a top plan view thereof;
FIG. 8 is a bottom plan view thereof;
FIG. 9 is a top perspective view of a plurality of shoeboxes
being vertically stacked; and,
FIG. 10 is a top perspective view of the plurality of shoeboxes
being horizontally stacked.
The broken lines in FIGS. 9 and 10 represent unclaimed
environment only and form no part of the claimed design.

(56) **References Cited**

U.S. PATENT DOCUMENTS

D352,897 S * 11/1994 Jackson D9/431
D492,594 S * 7/2004 Nash D9/415

1 Claim, 10 Drawing Sheets



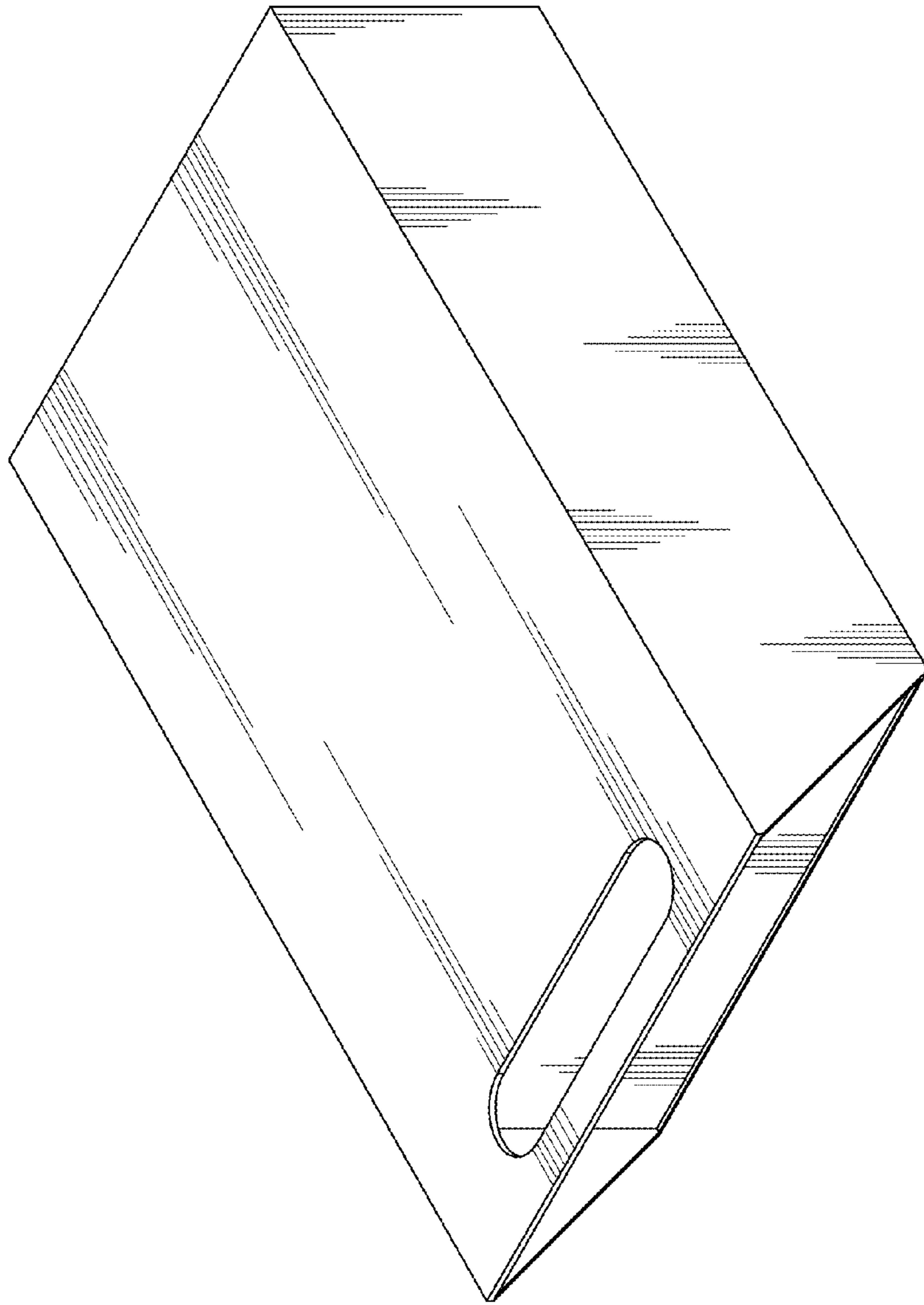


FIG. 1

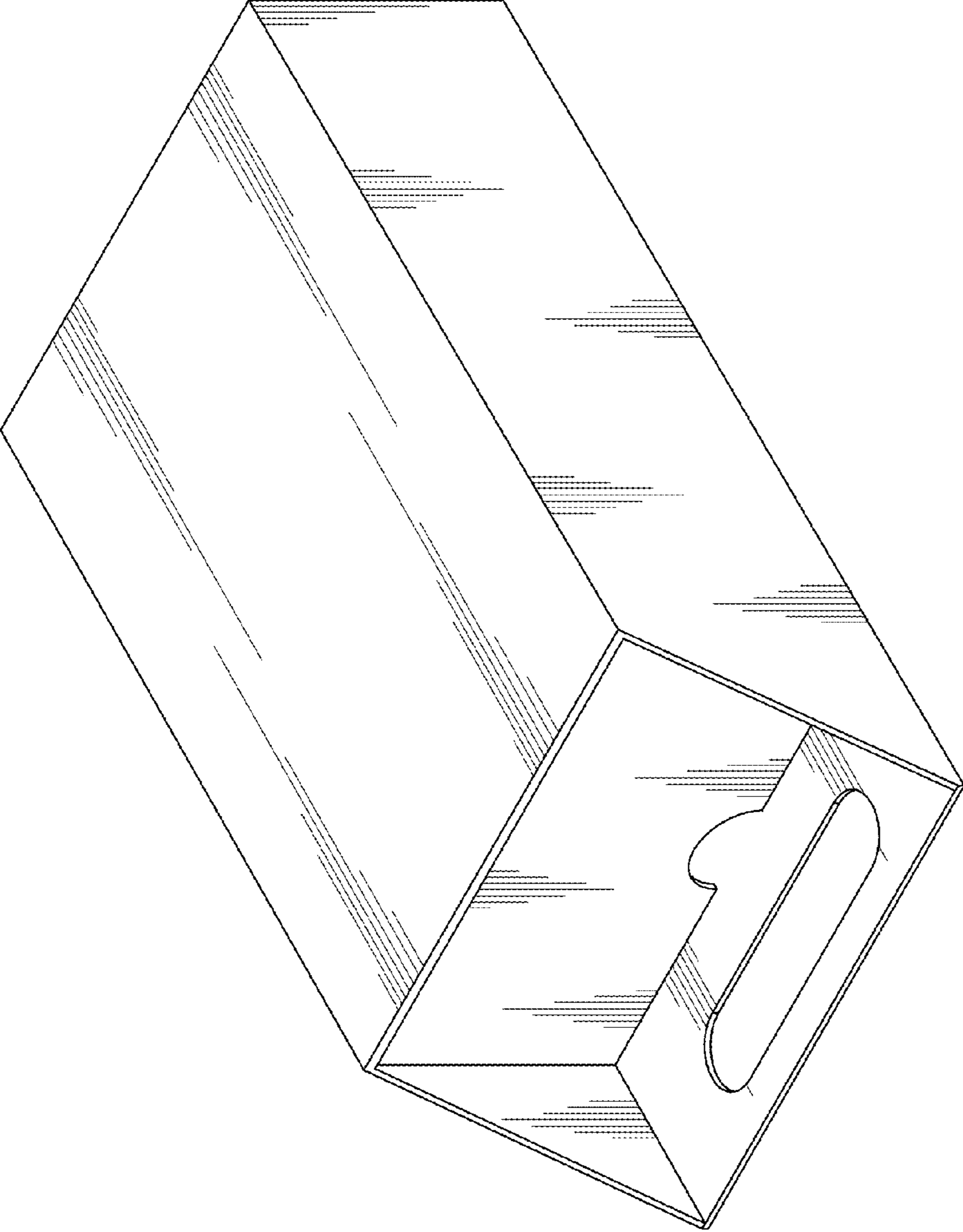


FIG. 2

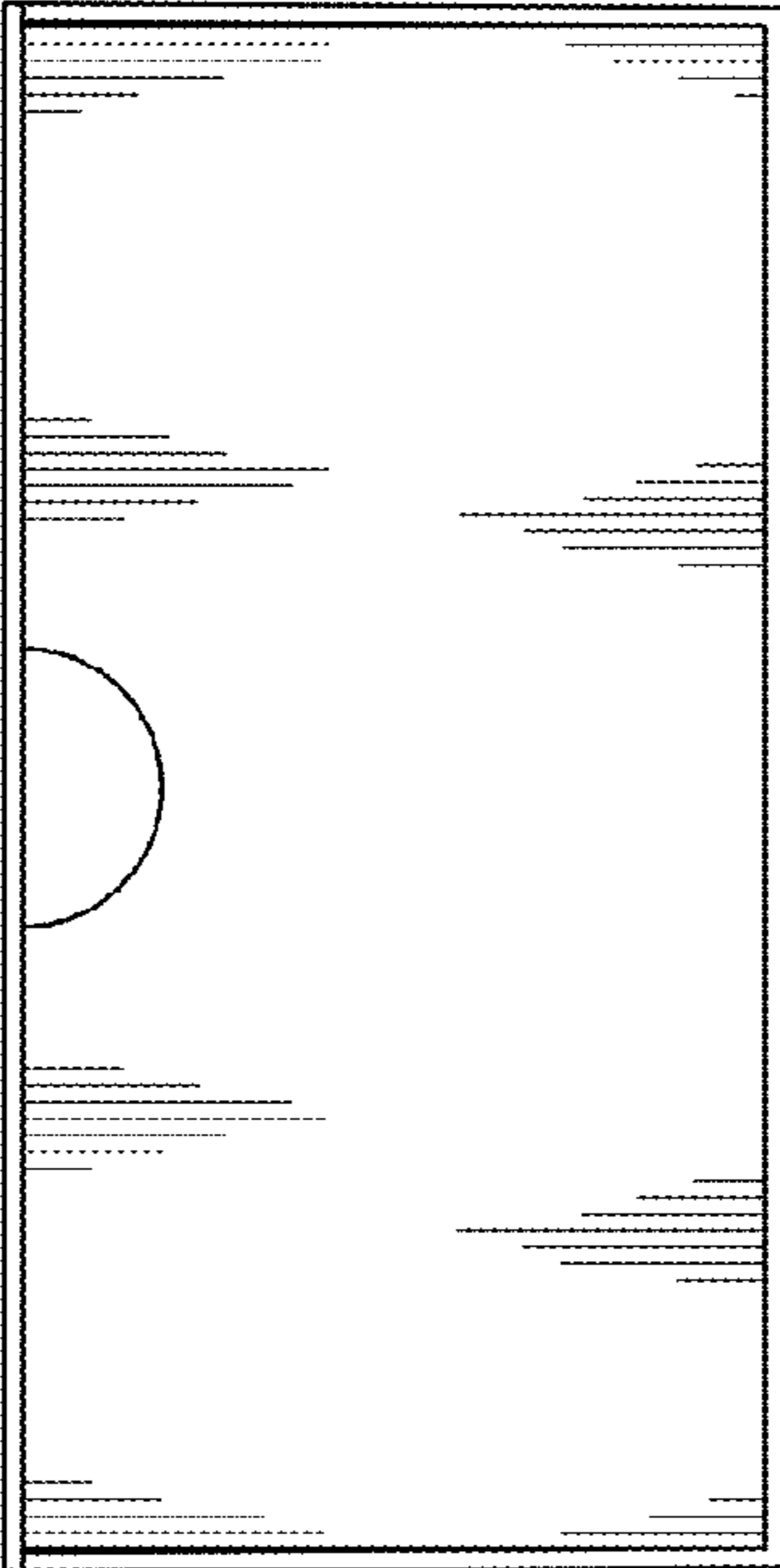


FIG. 3

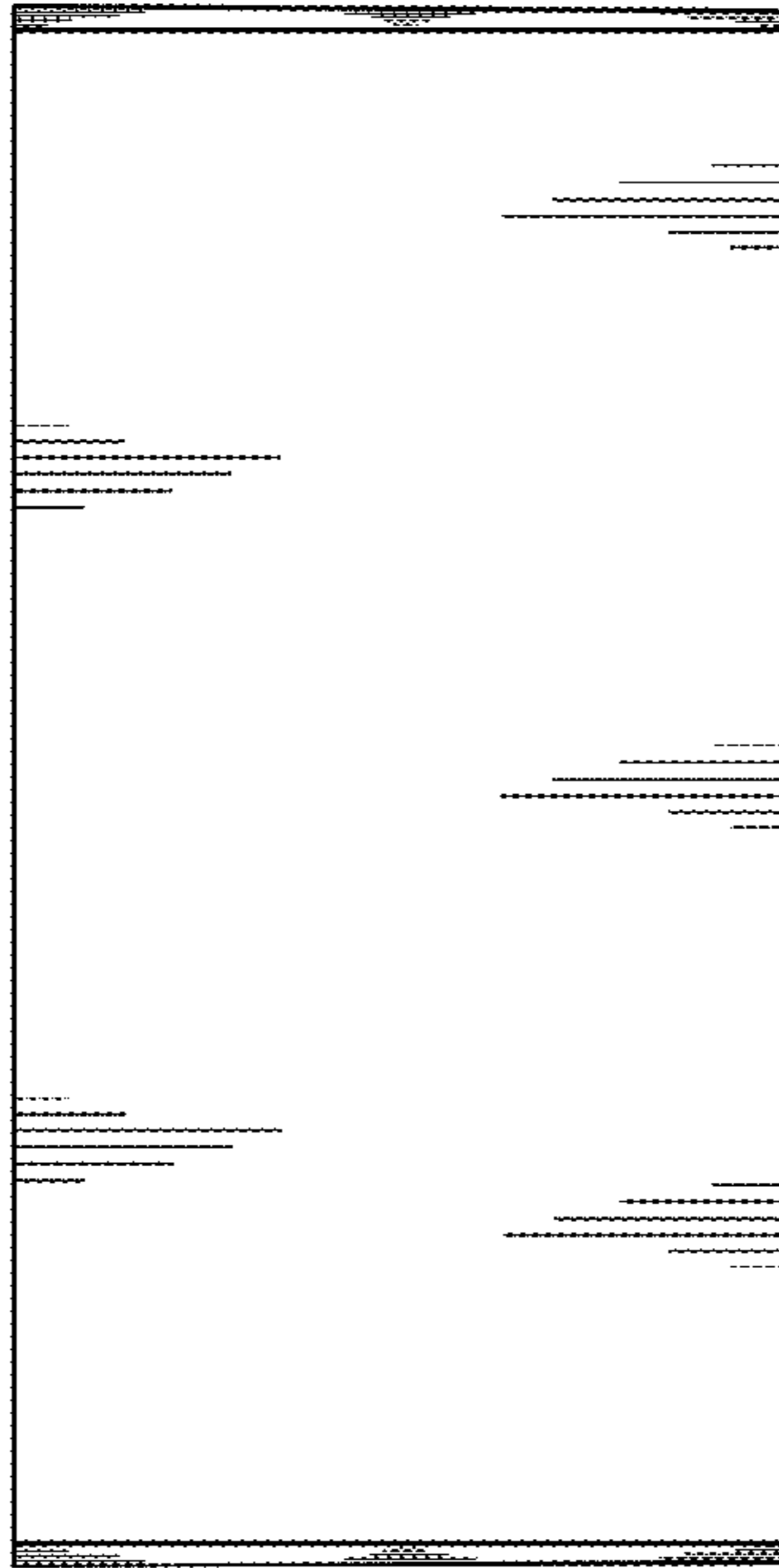


FIG. 4

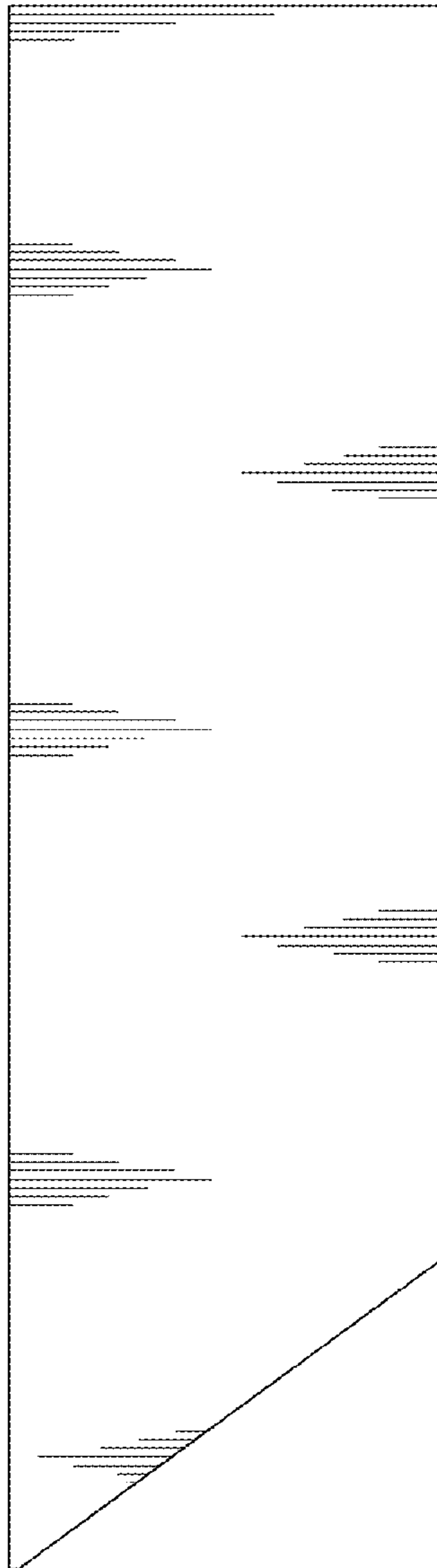


FIG. 5

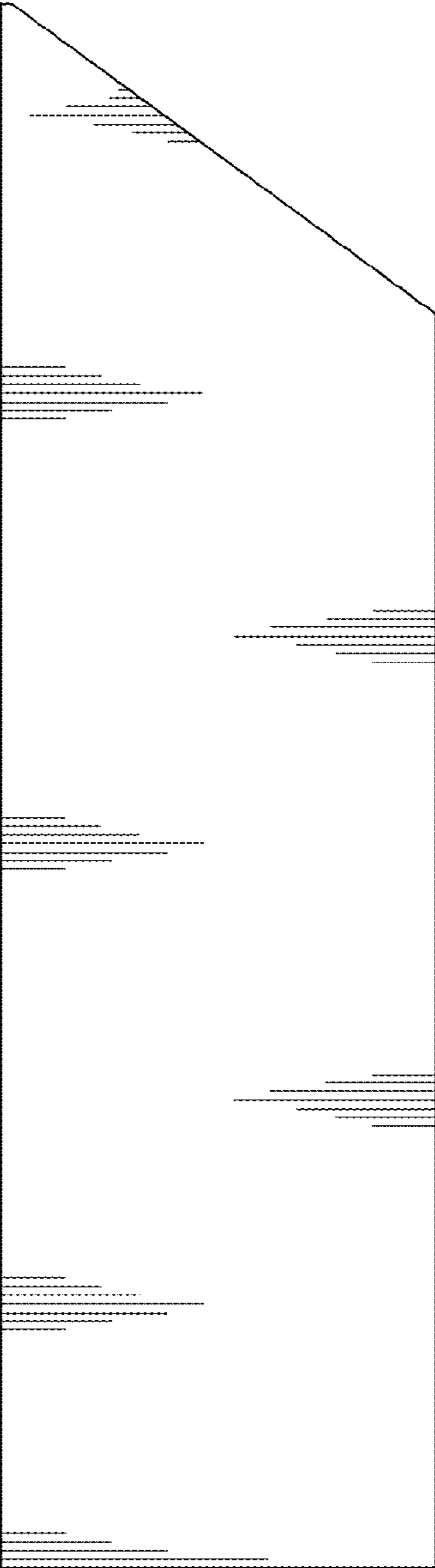


FIG. 6

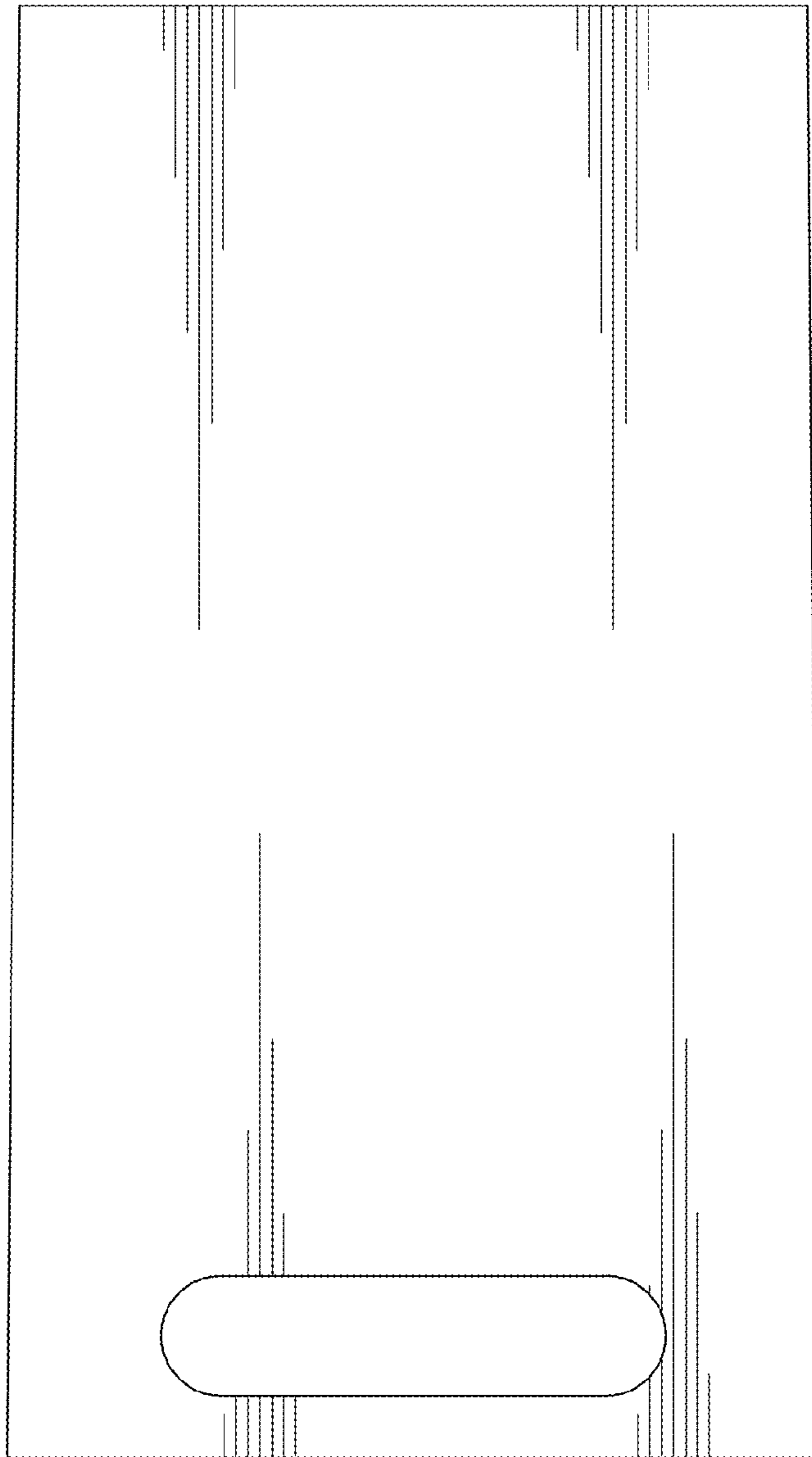


FIG. 7

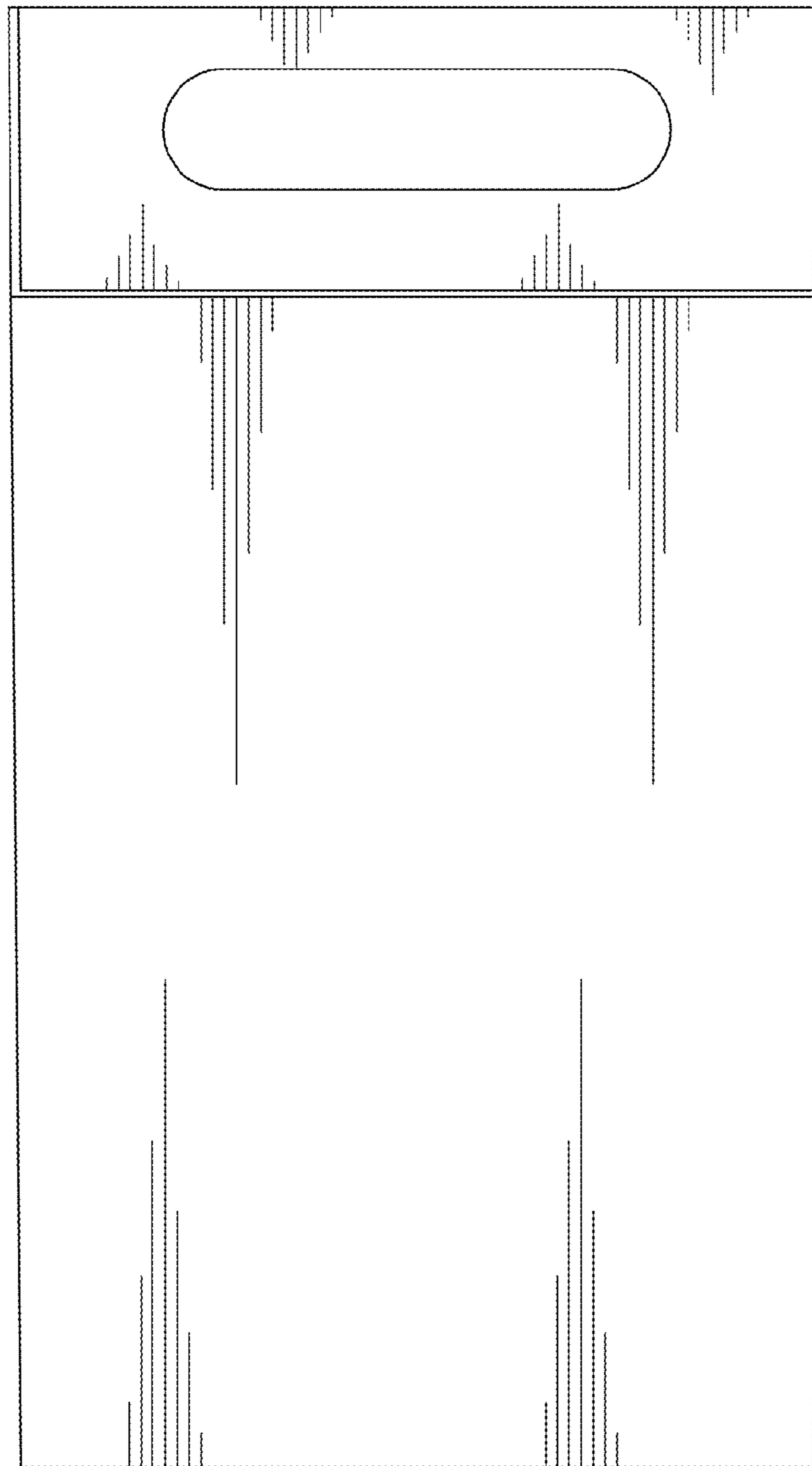


FIG. 8

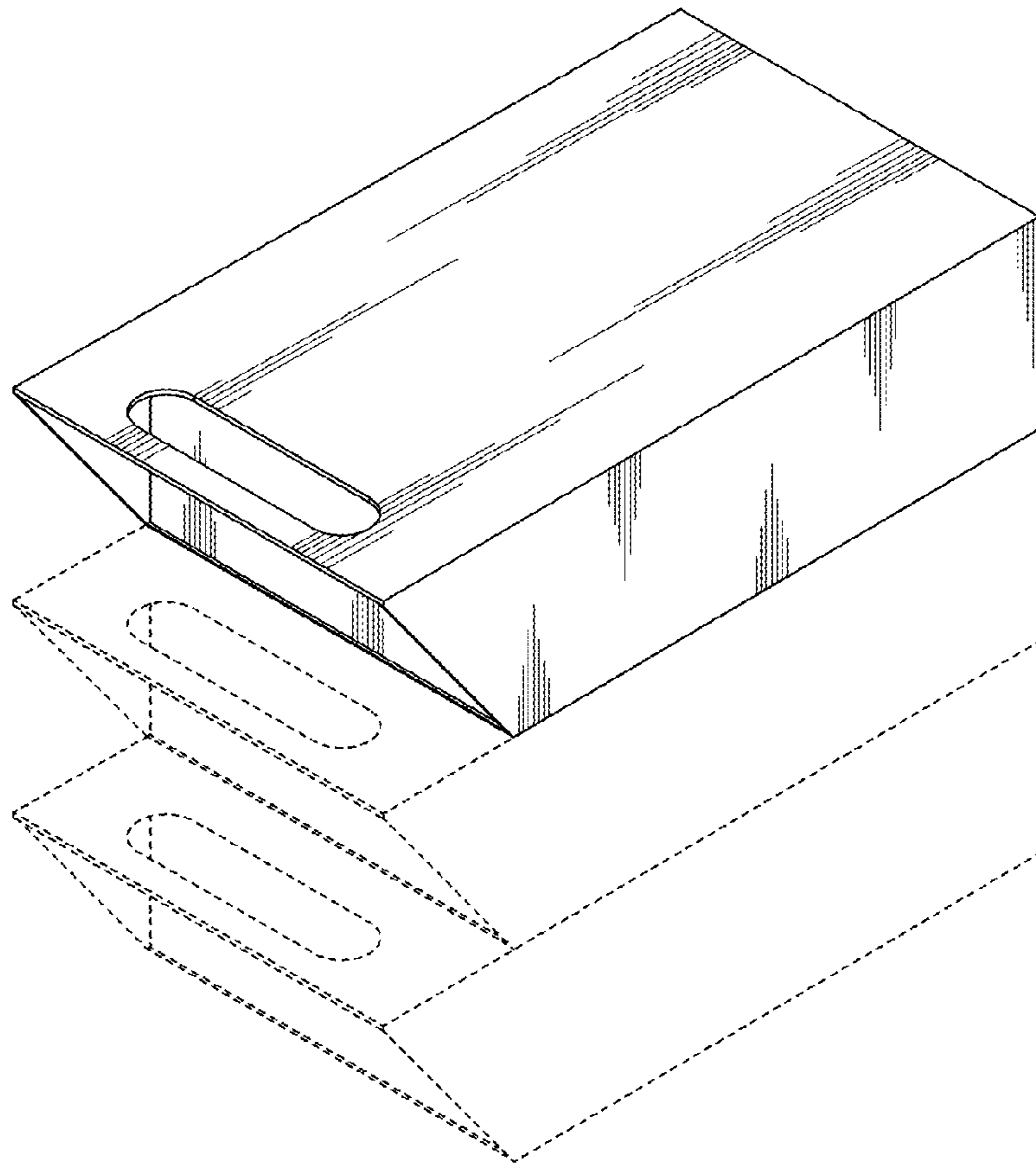


FIG. 9

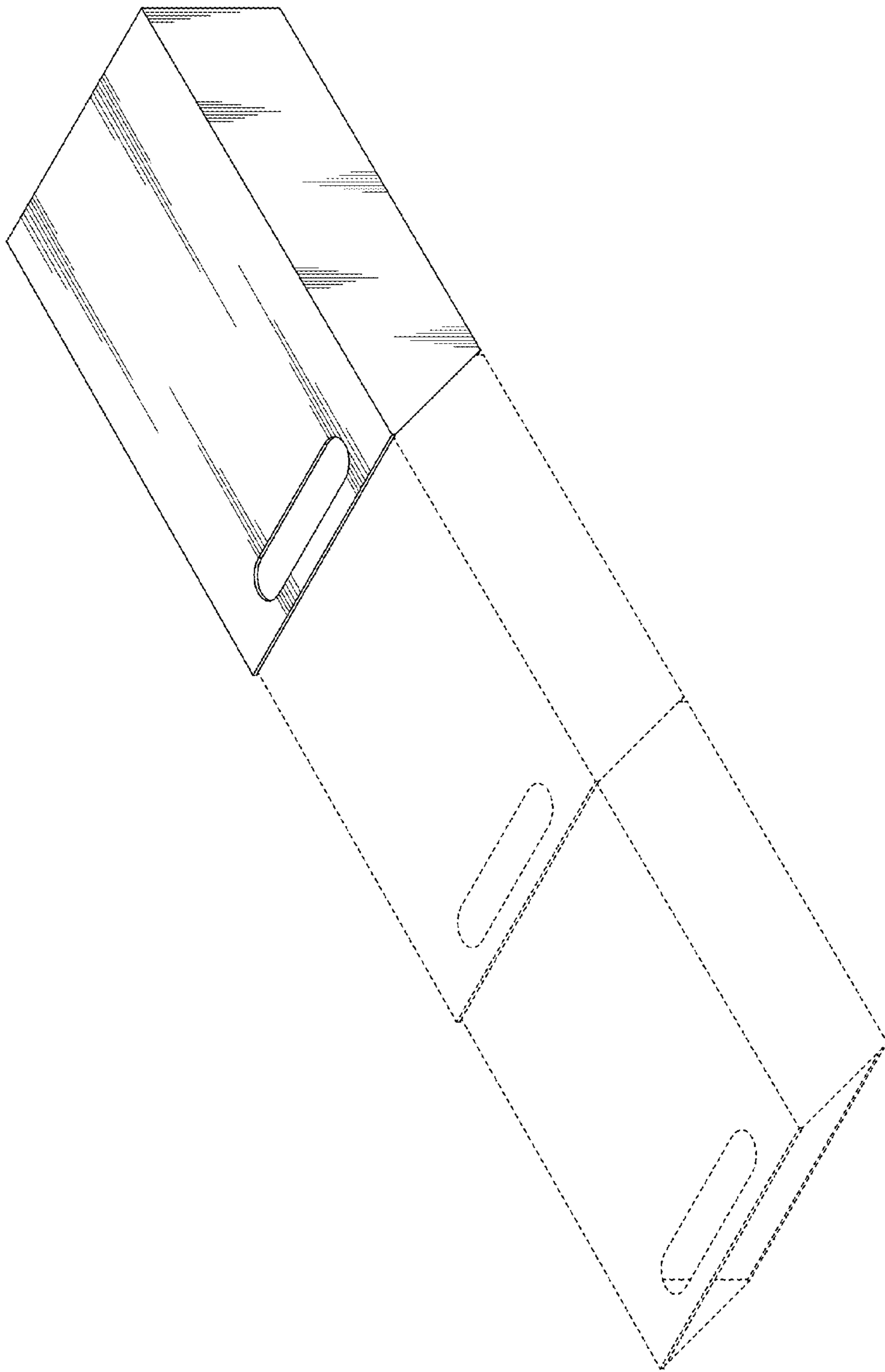


FIG. 10