

US00D704544S

(12) **United States Design Patent**  
**Oetlinger**

(10) **Patent No.:** **US D704,544 S**

(45) **Date of Patent:** **\*\* May 13, 2014**

(54) **NUT**

(71) Applicant: **Blanking Systems, Inc.**, Grafton, WI (US)

(72) Inventor: **Frank E. Oetlinger**, Grafton, WI (US)

(73) Assignee: **Blanking Systems, Inc.**, Grafton, WI (US)

(\*\*) Term: **14 Years**

(21) Appl. No.: **29/448,396**

(22) Filed: **Mar. 12, 2013**

**Related U.S. Application Data**

(63) Continuation-in-part of application No. 13/273,988, filed on Oct. 14, 2011.

(51) **LOC (10) Cl.** ..... **08-08**

(52) **U.S. Cl.**  
USPC ..... **D8/397**

(58) **Field of Classification Search**  
USPC ..... D8/397, 394, 382, 349, 356, 399, 363, D8/352; 403/291, 309, 300, 301, 310, 311, 403/403, 331, 387; 411/427, 429, 432, 918, 411/180, 81, 337; D25/119; 2/897  
See application file for complete search history.

(56) **References Cited**

**U.S. PATENT DOCUMENTS**

42,320	A *	4/1864	Thomas	470/87
2,809,686	A *	10/1957	Shepherd	411/104
3,066,773	A	12/1962	Raidel	
3,456,413	A	7/1969	Fischer	
3,901,612	A	8/1975	Canin	

(Continued)

**FOREIGN PATENT DOCUMENTS**

JP	2004-060789	2/2004
KR	10-02155558	8/1998

(Continued)

*Primary Examiner* — Cynthia Underwood

(74) *Attorney, Agent, or Firm* — Boyle Fredrickson, S.C.

(57) **CLAIM**

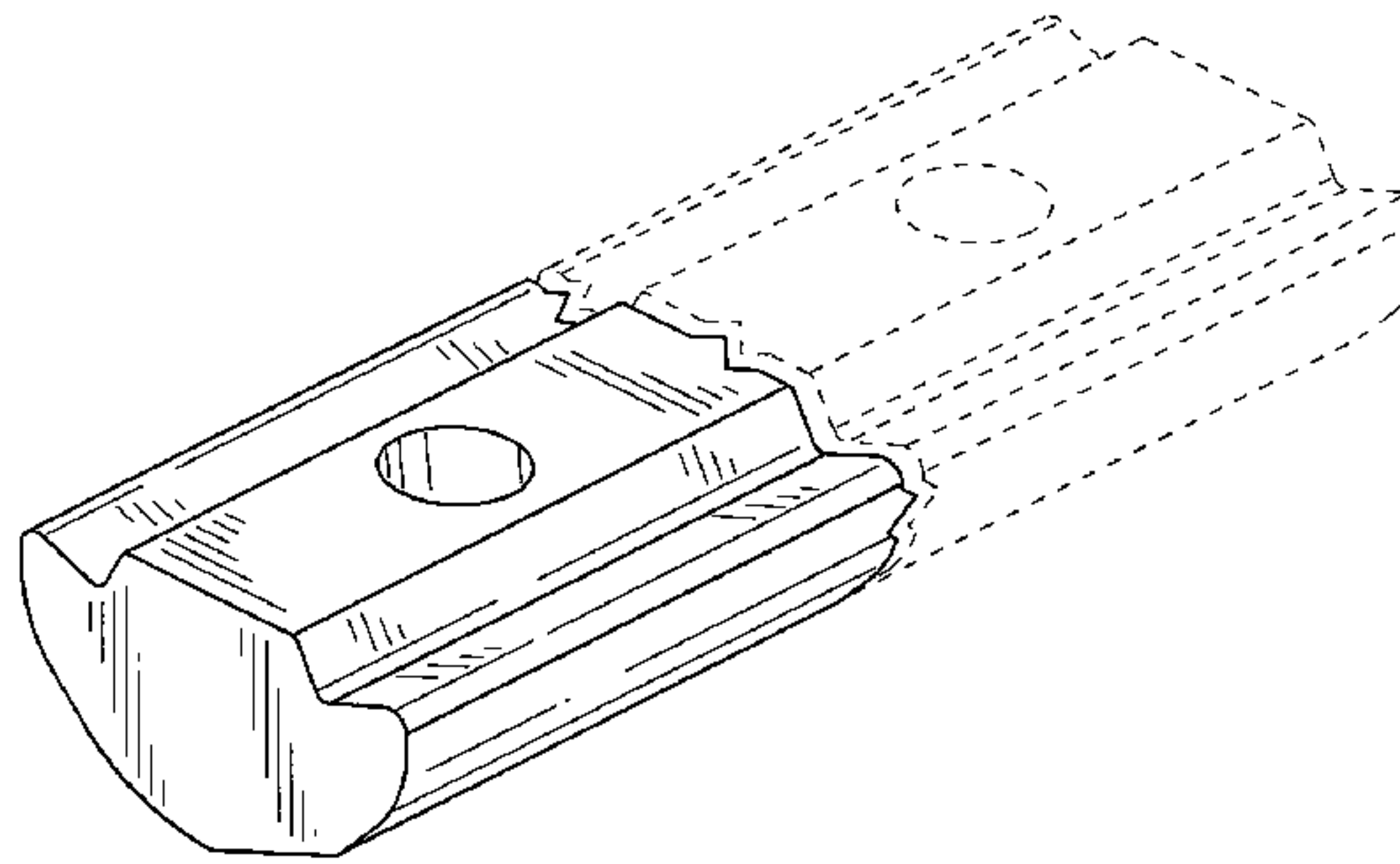
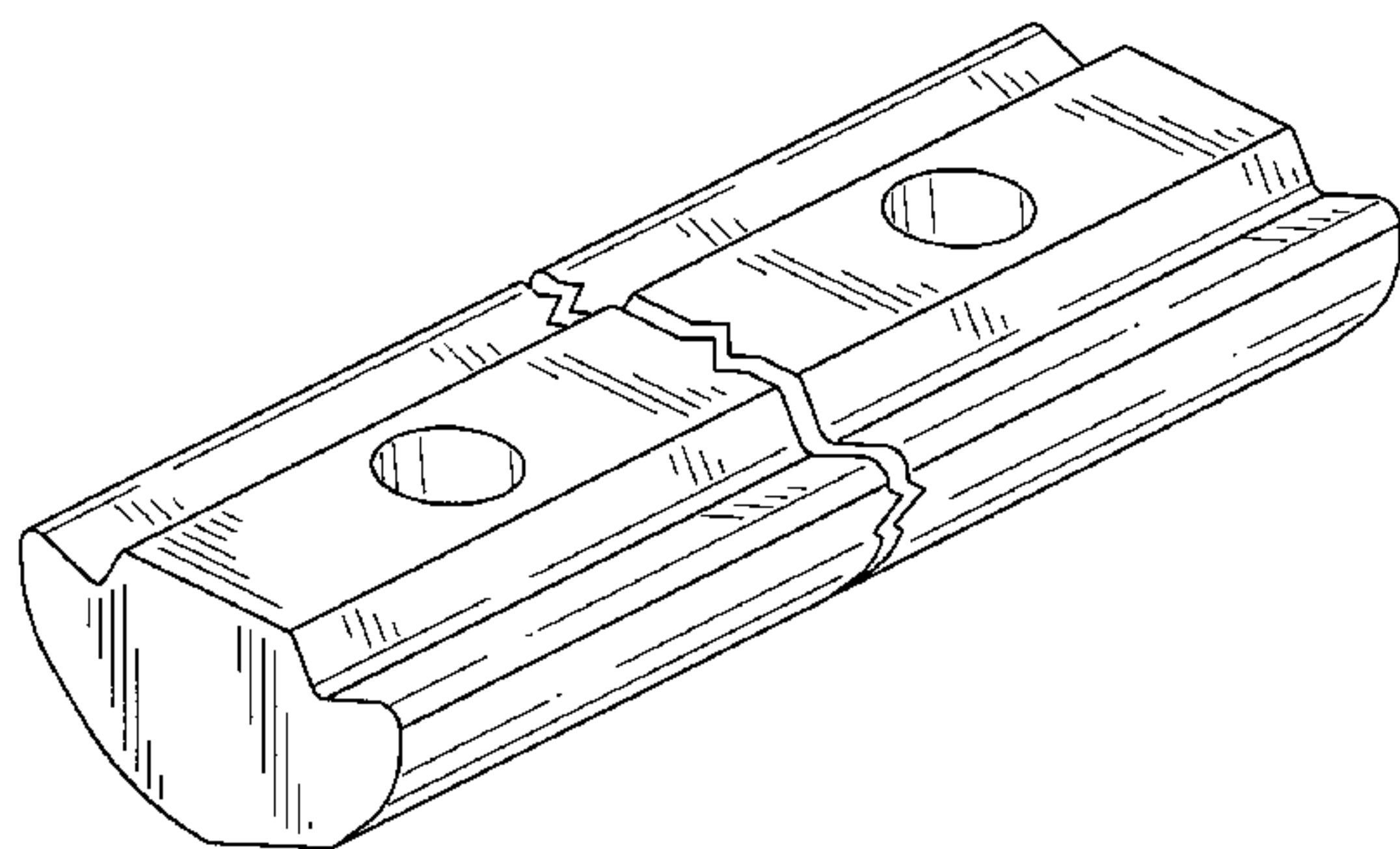
The ornamental design for a nut, as shown and described.

**DESCRIPTION**

FIG. 1 is an isometric view of a first embodiment of a nut in accordance with the present invention;  
 FIG. 2 is an end view of the nut of FIG. 1;  
 FIG. 3 is a top plan view of the nut of FIG. 1;  
 FIG. 4 is a bottom plan view of the nut of FIG. 1;  
 FIG. 5 is a side elevational view of a first side of the nut of FIG. 1;  
 FIG. 6 is a side elevational view of a second side of the nut of FIG. 1;  
 FIG. 7 is an isometric view of a second embodiment of a nut in accordance with the present invention;  
 FIG. 8 is an end view of the nut of FIG. 7;  
 FIG. 9 is a top plan view of the nut of FIG. 7;  
 FIG. 10 is a bottom plan view of the nut of FIG. 7;  
 FIG. 11 is a side elevational view of a first side of the nut of FIG. 7; and,  
 FIG. 12 is a side elevational view of a second side of the nut of FIG. 7.

The broken lines are included for illustrative purposes only and form no part of the claim. The broken away symbols in the drawings indicate that any portion of the article beyond that which is shown forms no part of the claimed design.

**1 Claim, 4 Drawing Sheets**



(56)

References Cited

U.S. PATENT DOCUMENTS

4,017,199 A 4/1977 Strassle  
 D263,149 S \* 2/1982 Wilson ..... D17/20  
 4,388,786 A 6/1983 Gassler  
 D299,171 S \* 12/1988 Allen, Jr. .... D25/164  
 4,831,678 A \* 5/1989 Dietsche ..... 15/176.4  
 4,957,402 A \* 9/1990 Klein et al. .... 411/84  
 D310,945 S \* 10/1990 Ellerton ..... D7/680  
 D322,929 S \* 1/1992 Abbestam et al. .... D8/397  
 D342,662 S 12/1993 Lavin, Sr.  
 D349,639 S \* 8/1994 Kimbrell ..... D8/349  
 5,337,641 A 8/1994 Duginske  
 5,443,554 A 8/1995 Robert  
 D364,234 S \* 11/1995 Caley ..... D25/119  
 5,570,971 A 11/1996 Rixen et al.  
 5,622,012 A 4/1997 Schijf  
 5,671,580 A 9/1997 Chou  
 5,746,535 A 5/1998 Kohler  
 5,768,966 A 6/1998 Duginske  
 5,779,412 A 7/1998 Nagai et al.  
 5,845,555 A 12/1998 Dawley  
 5,864,998 A 2/1999 Loomer  
 6,116,131 A 9/2000 Fasske  
 D450,572 S \* 11/2001 Nimmo et al. .... D8/397  
 6,390,719 B1 5/2002 Chan  
 D471,083 S 3/2003 Wall  
 6,679,016 B2 1/2004 Liu  
 6,708,858 B2 3/2004 Oetlinger  
 6,712,254 B2 3/2004 Oetlinger  
 6,712,543 B1 3/2004 Schmalzhofer

6,715,953 B2 4/2004 Oetlinger et al.  
 6,722,811 B2 4/2004 Oetlinger  
 D489,828 S \* 5/2004 Barnett ..... D25/119  
 D490,295 S 5/2004 Neider et al.  
 6,769,342 B2 8/2004 Oetlinger  
 6,796,474 B2 9/2004 Oetlinger  
 6,904,837 B2 6/2005 Oetlinger  
 6,942,132 B2 9/2005 Oetlinger  
 6,997,364 B2 2/2006 Oetlinger  
 7,143,916 B2 12/2006 Oetlinger  
 7,182,235 B2 2/2007 Oetlinger  
 7,185,797 B2 3/2007 Oetlinger et al.  
 D543,491 S \* 5/2007 Weekes ..... D12/106  
 D628,539 S 12/2010 Tezak et al.  
 7,992,752 B2 8/2011 Oetlinger  
 D654,936 S 2/2012 Oetlinger  
 D655,021 S 2/2012 Oetlinger  
 8,146,227 B2 \* 4/2012 Schmitz et al. .... 29/434  
 D694,098 S \* 11/2013 Byron et al. .... D8/394  
 2003/0188510 A1 \* 10/2003 Vargas ..... 53/410  
 2003/0226869 A1 12/2003 Oetlinger  
 2006/0133893 A1 6/2006 Harashima et al.

FOREIGN PATENT DOCUMENTS

KR 20-0236158 9/2001  
 KR 20-0372245 1/2005  
 KR 10-0725047 6/2007  
 KR 10-2010-0016683 2/2010  
 WO 03070437 8/2003

\* cited by examiner

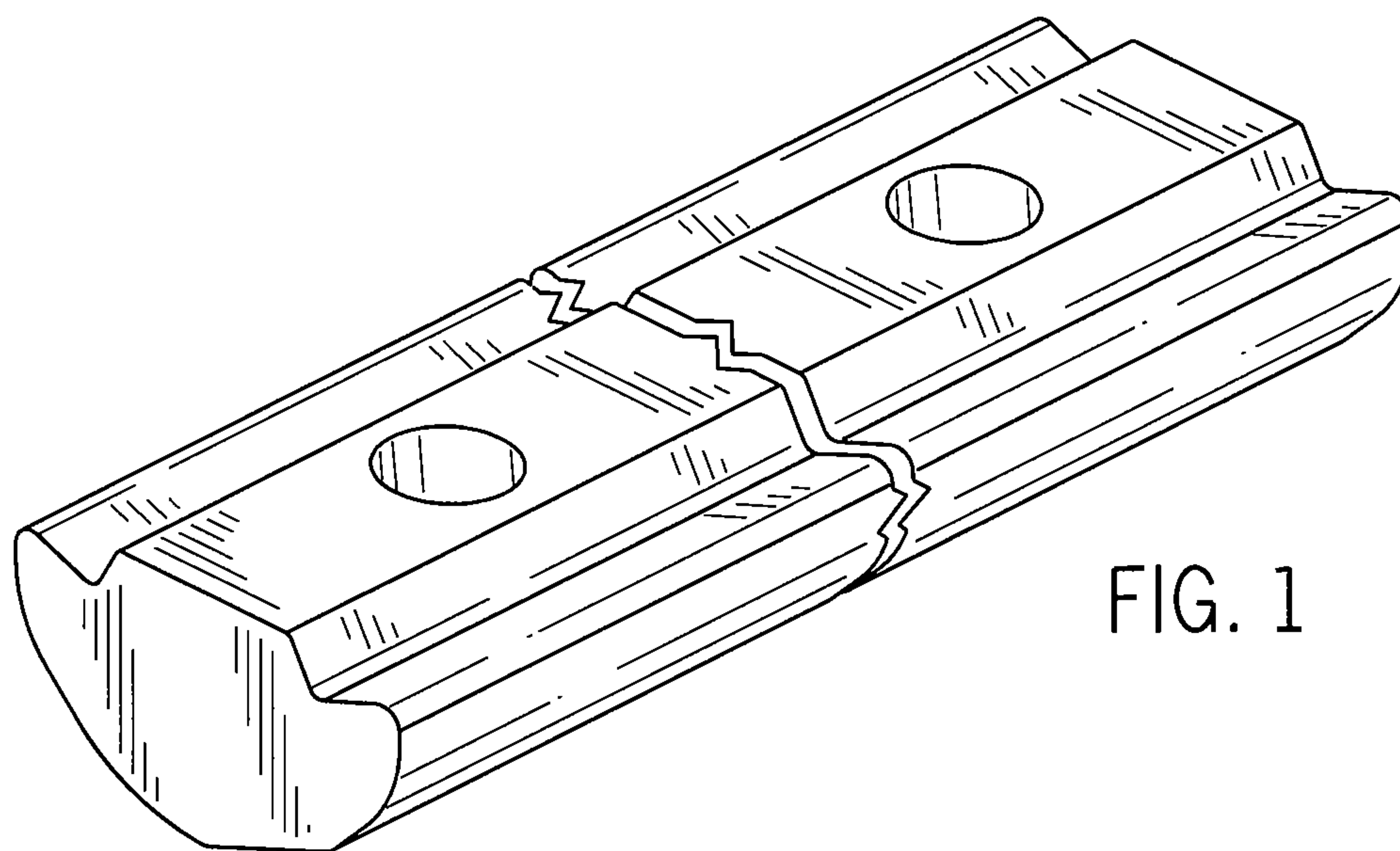


FIG. 1

FIG. 2

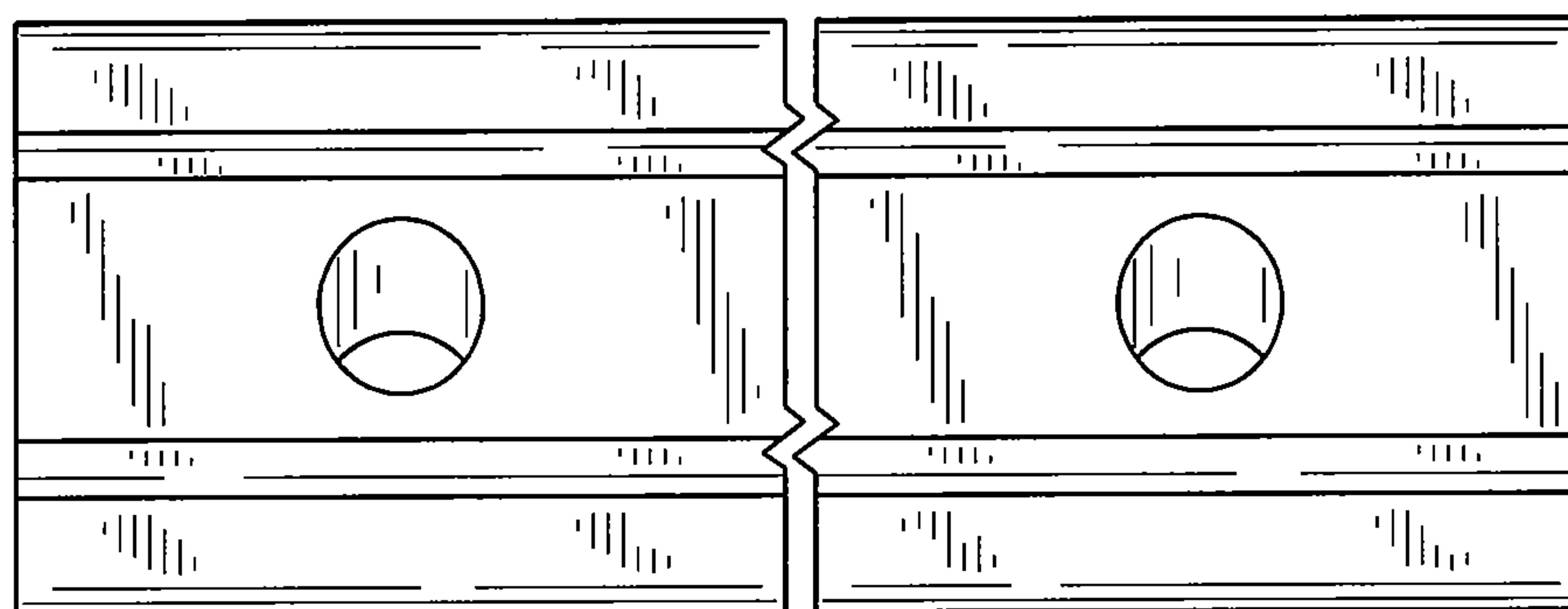
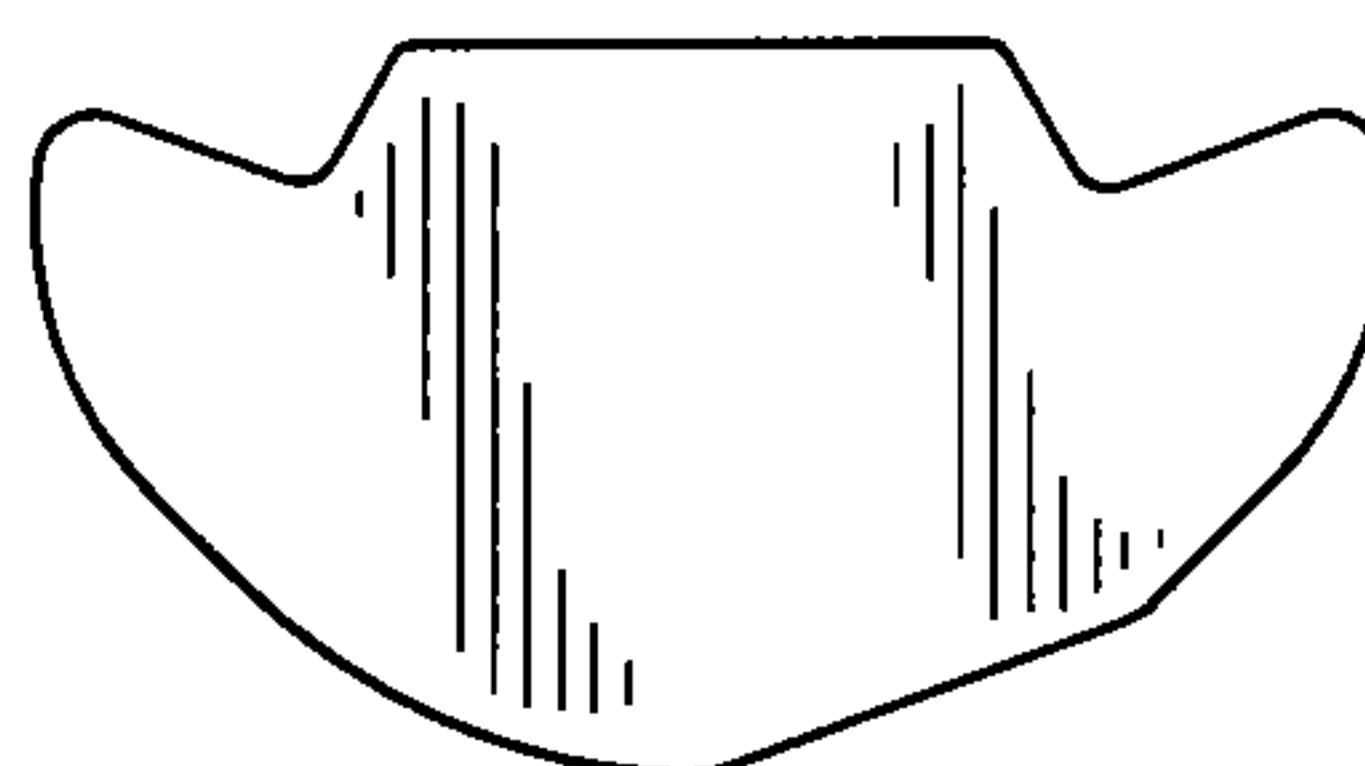


FIG. 3

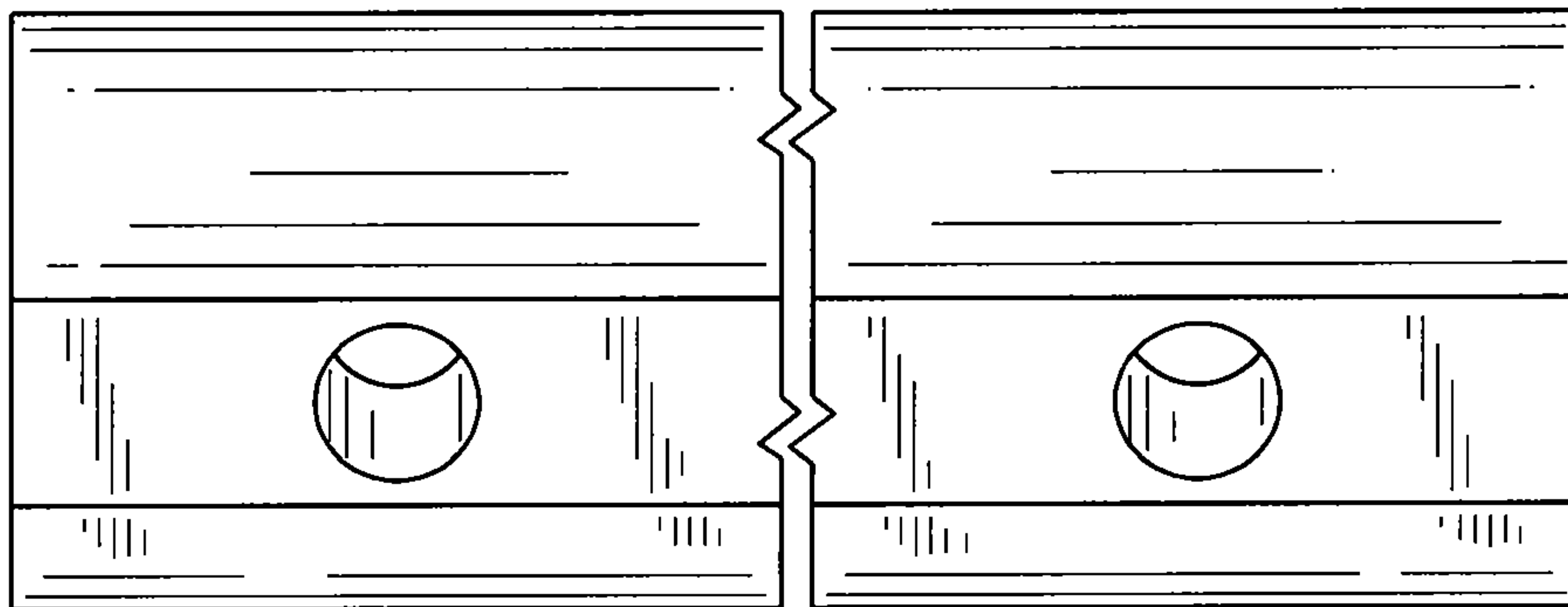


FIG. 4

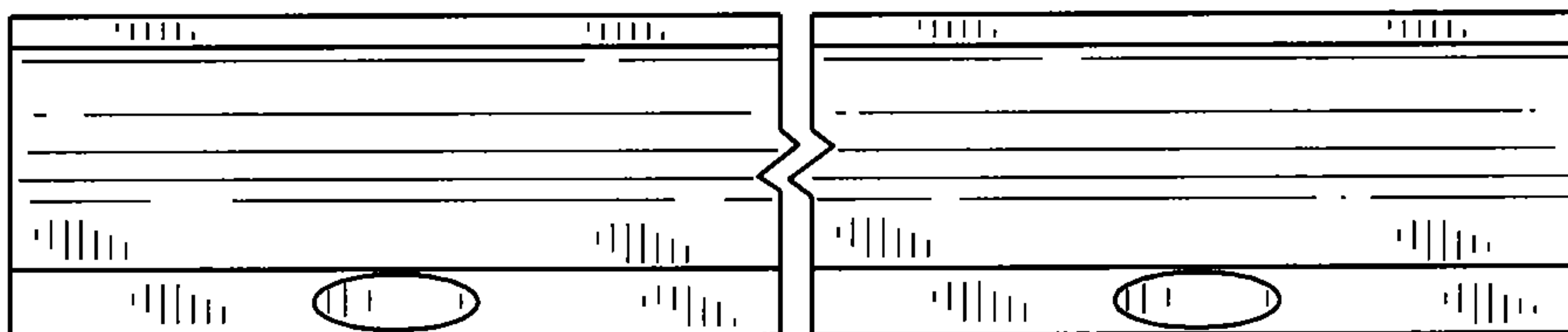


FIG. 5

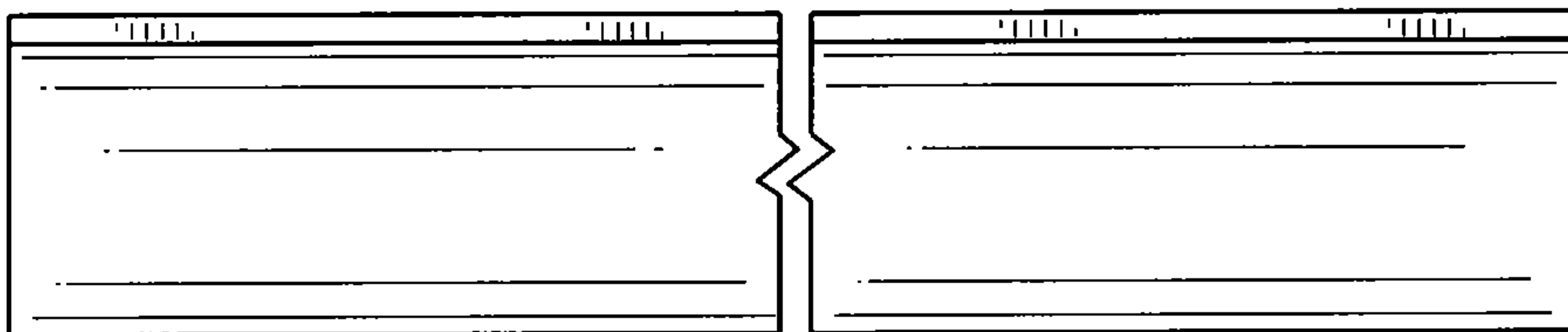


FIG. 6

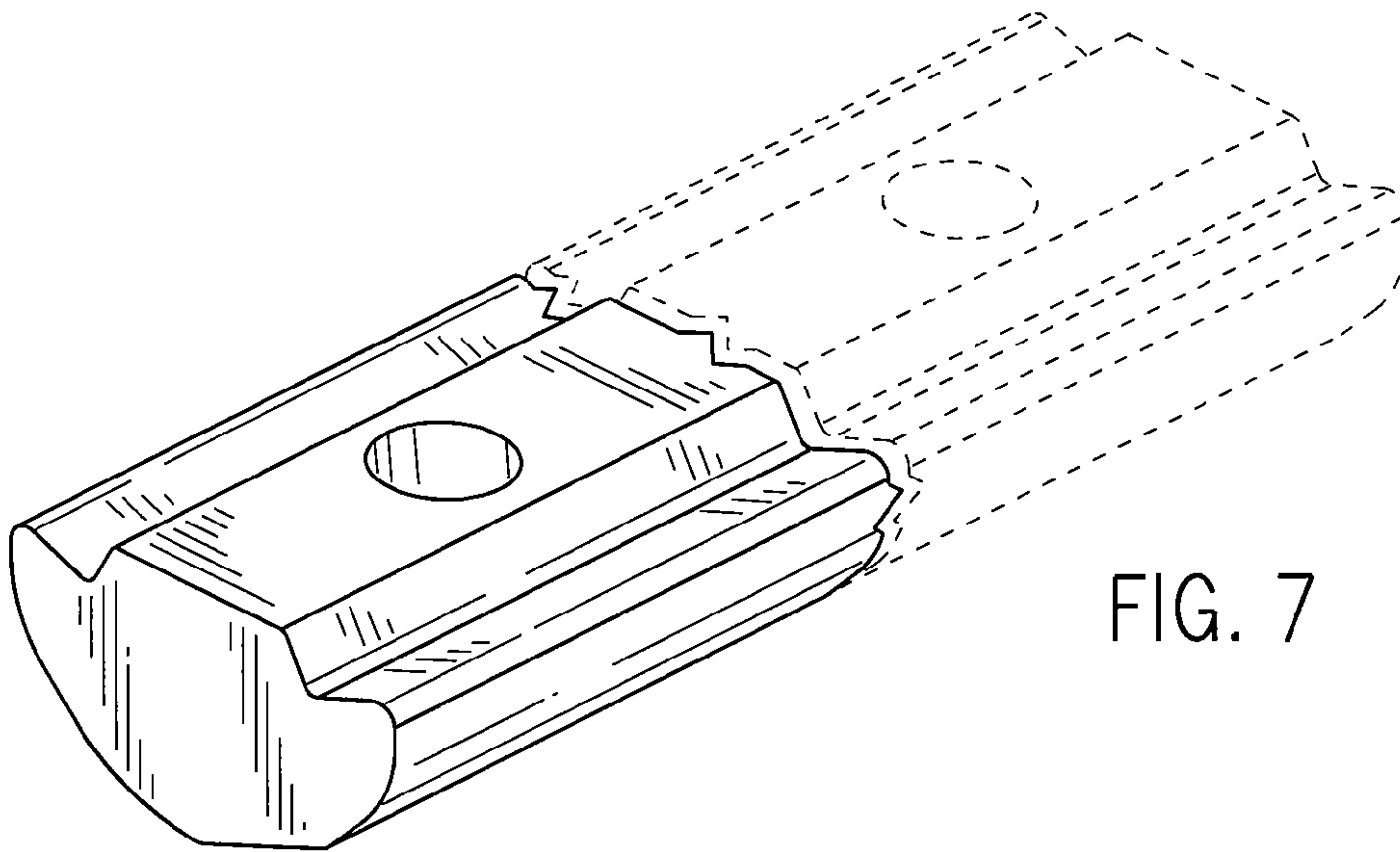


FIG. 7

FIG. 8

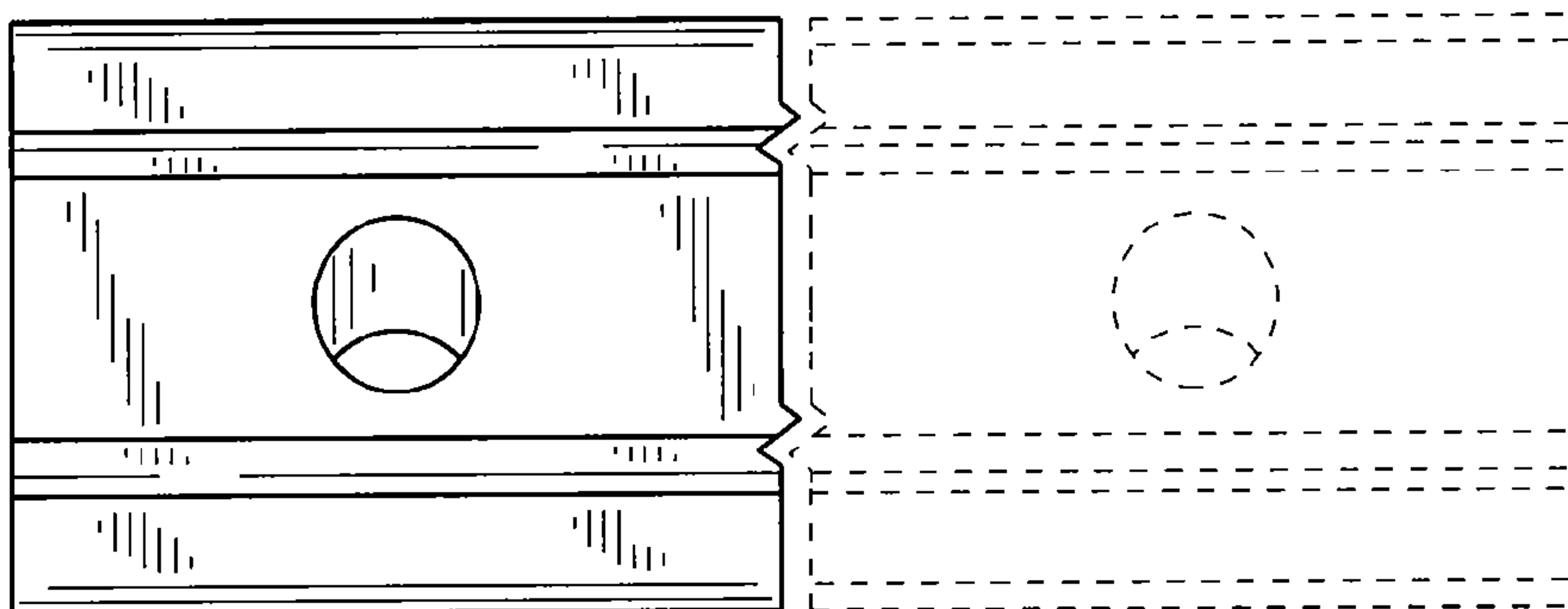
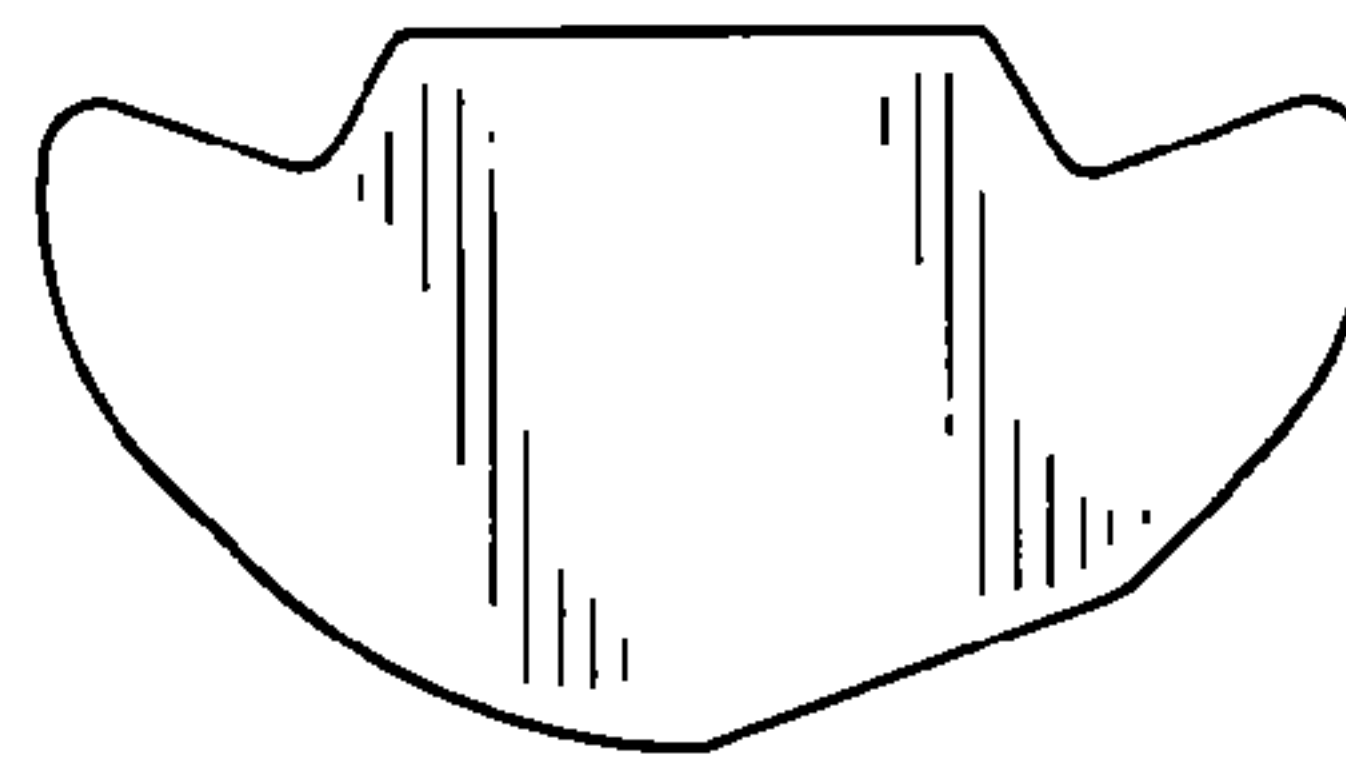


FIG. 9



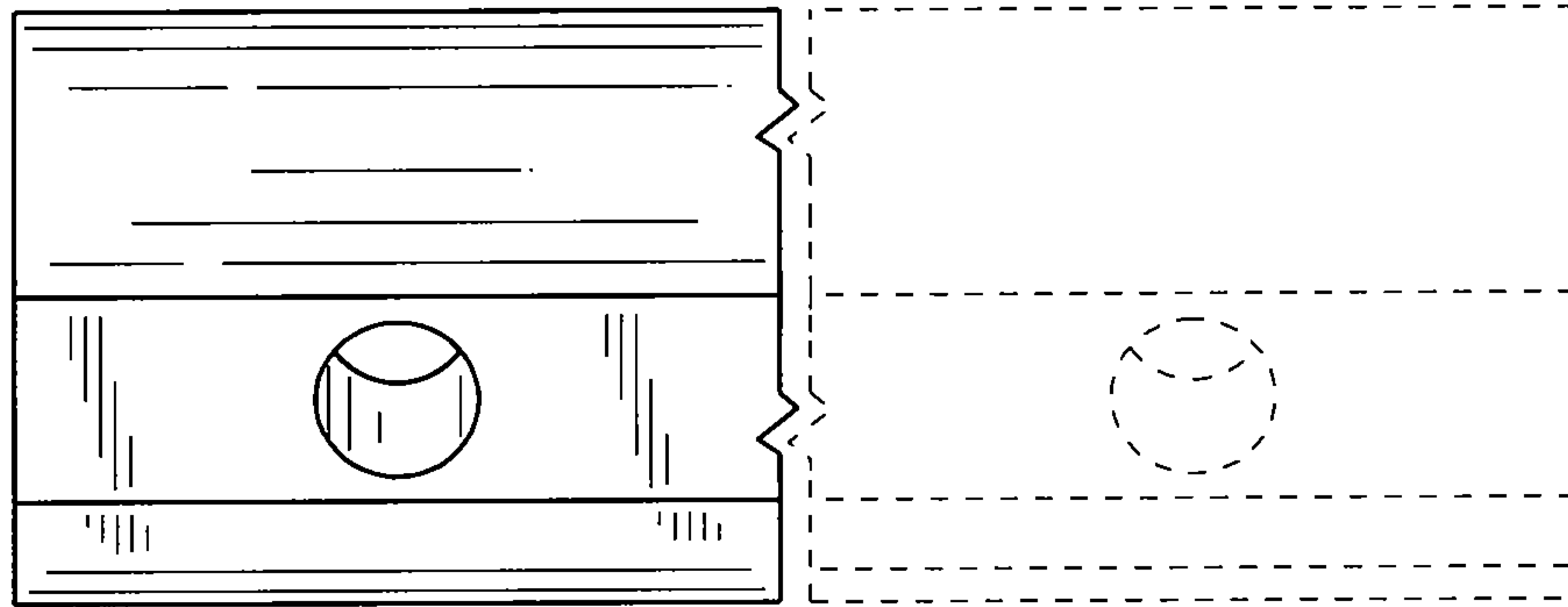


FIG. 10

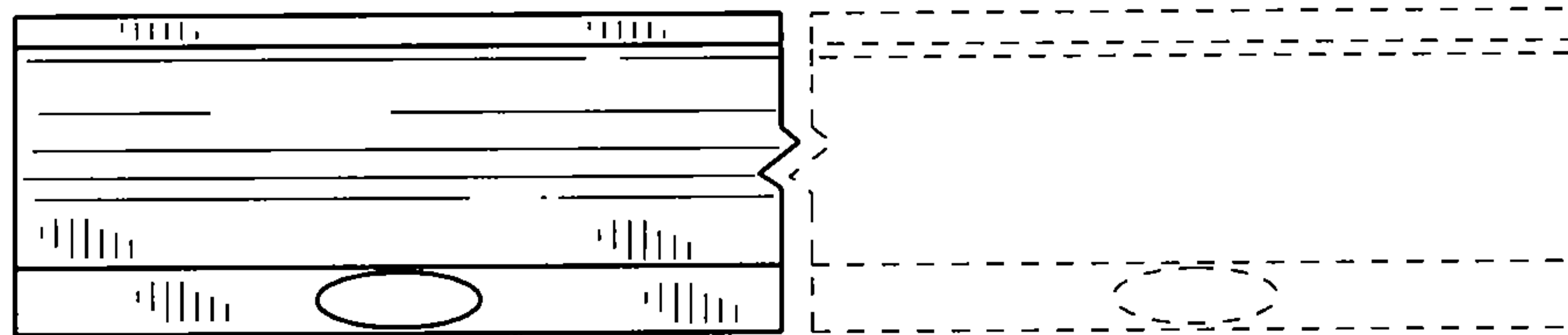


FIG. 11

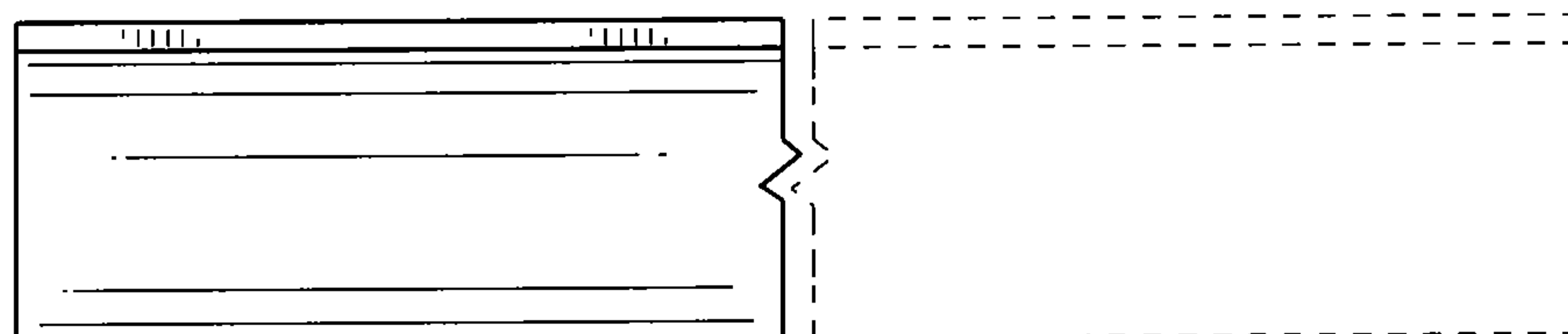


FIG. 12