



US00D704543S

(12) **United States Design Patent**  
**Kuhmichel et al.**

(10) **Patent No.:** **US D704,543 S**

(45) **Date of Patent:** **\*\* May 13, 2014**

(54) **NUT AND SEAL**

(71) Applicant: **Weber Maschinenbau GmbH**  
**Breidenbach**, Breidenbach (DE)

(72) Inventors: **Christoph Kuhmichel**, Bad Berleburg (DE); **Franziska Krauss**, Breidenbach (DE); **Volkan Yokaribas**, Breidenbach (DE); **Steffen Biernath**, Neubrandenburg (DE)

(73) Assignee: **Weber Maschinenbau GmbH**  
**Breidenbach**, Breidenbach (DE)

(\*\*) Term: **14 Years**

(21) Appl. No.: **29/441,501**

(22) Filed: **Jan. 7, 2013**

(51) **LOC (10) Cl.** ..... **08-08**

(52) **U.S. Cl.**  
USPC ..... **D8/397**

(58) **Field of Classification Search**  
USPC ..... D8/397, 394, 382, 399, 356, 354, 349;  
D15/140; 16/2.1; 220/575; 206/521.15;  
24/302, 16 R, 306; 439/501, 578;  
381/374; D14/217, 205; 411/302, 427,  
411/429, 432, 918, 179, 180; D13/151, 133  
See application file for complete search history.

(56) **References Cited**

**U.S. PATENT DOCUMENTS**

1,029,775	A *	6/1912	Tobin	411/191
2,552,794	A *	5/1951	Kimbell	411/427
2,727,551	A *	12/1955	Rees	411/303
D220,027	S *	3/1971	Myers	D8/397
D223,187	S *	3/1972	Wing	D8/397
3,702,628	A *	11/1972	Cosenza	411/280
D233,652	S *	11/1974	Wing	D8/397
4,019,550	A *	4/1977	DeHaitre	411/303
D244,908	S *	7/1977	Hatter et al.	D8/397
D244,909	S *	7/1977	Gill	D8/397
D311,131	S *	10/1990	Saito	D8/397

6,071,052	A *	6/2000	Kerr	411/302
D446,111	S *	8/2001	Hussaini	D8/397
D459,207	S *	6/2002	Miyata	D8/397
D519,076	S *	4/2006	Fox	D13/133
7,063,565	B2 *	6/2006	Ward	439/578
D535,259	S *	1/2007	Rodrigues et al.	D13/151
D551,972	S *	10/2007	Jacobs et al.	D9/445
D581,777	S *	12/2008	Huang	D8/397
D601,507	S *	10/2009	Rodrigues	D13/151
8,210,783	B2 *	7/2012	Morrison	411/9
D679,988	S *	4/2013	Yamazaki	D8/397

(Continued)

**FOREIGN PATENT DOCUMENTS**

DE	43 11 547	A1	10/1994
DE	29 722 827	U1	2/1998

(Continued)

**OTHER PUBLICATIONS**

Translation of German Search Report dated Apr. 8, 3012 relating to German Application No. 10 2012 210 700.2.

(Continued)

*Primary Examiner* — Cynthia Underwood  
(74) *Attorney, Agent, or Firm* — Douglas W. Sprinkle

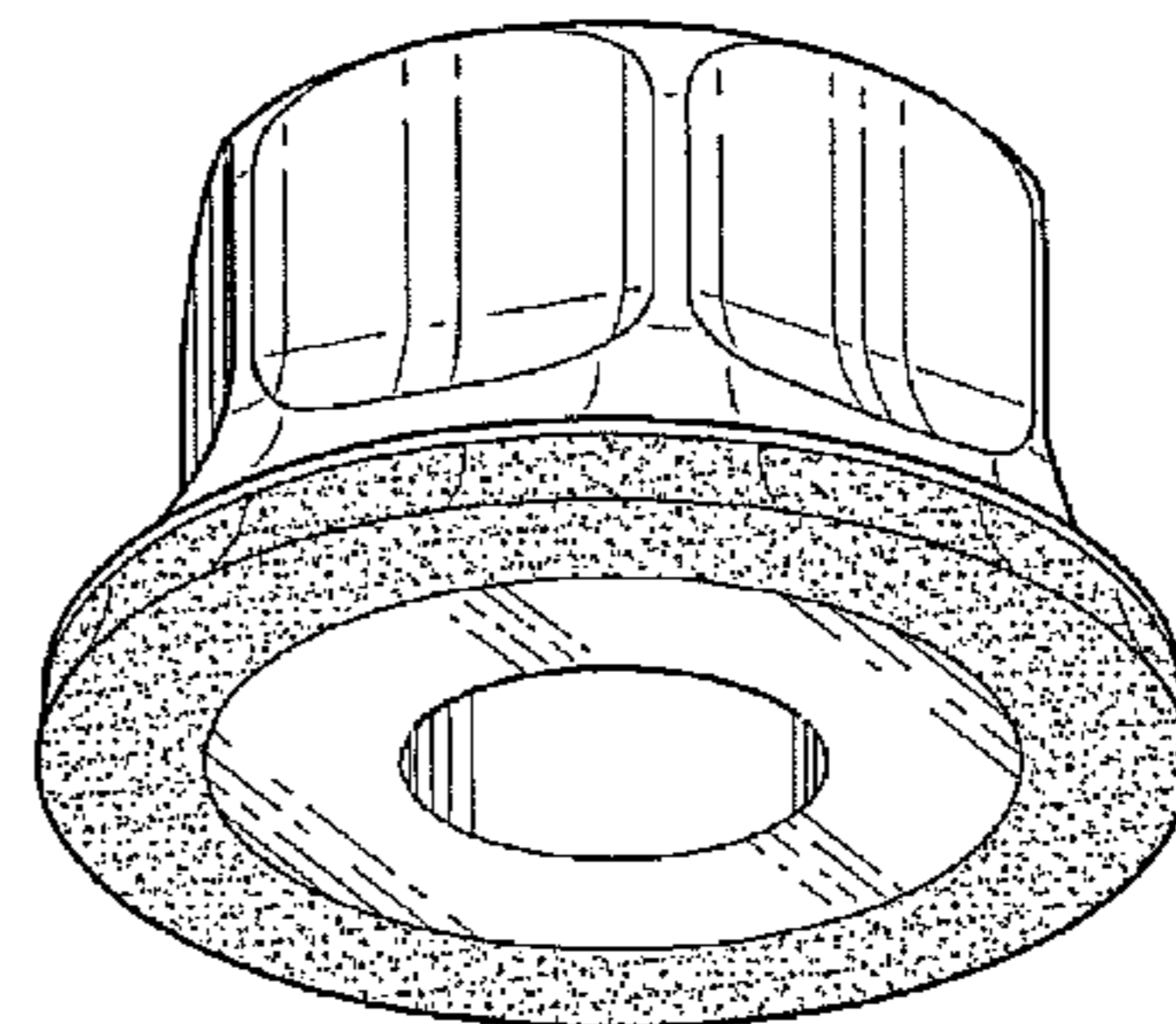
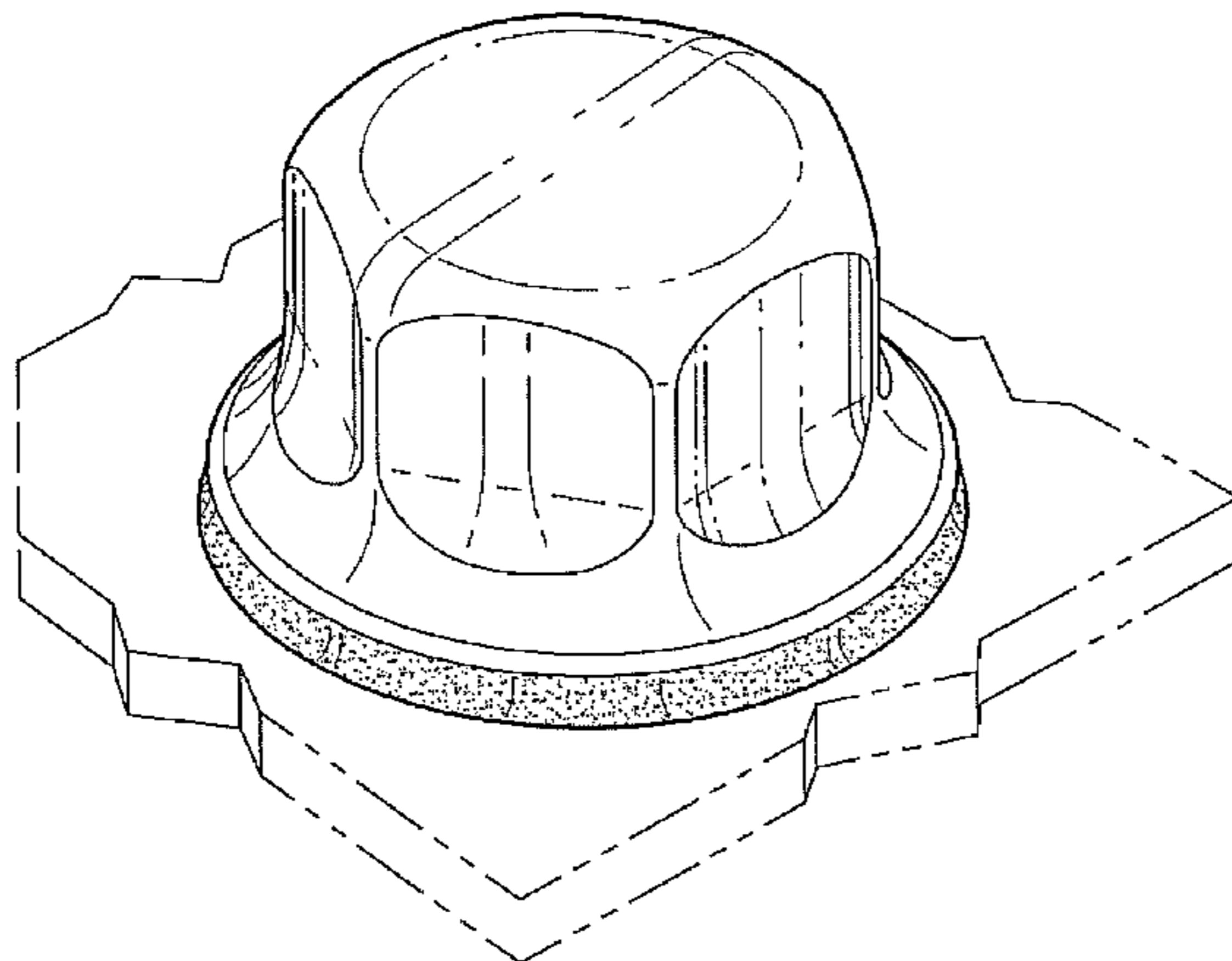
(57) **CLAIM**

The ornamental design for a nut and seal, as shown and described.

**DESCRIPTION**

FIG. 1 is a front elevational view illustrating a preferred embodiment of the nut and seal of the present invention, said front elevational view being identical to a rear elevational view;  
FIG. 2 is a front bottom elevational view thereof;  
FIG. 3 is a top plan view thereof;  
FIG. 4 is a front view of the design which is identical to the rear view thereof; and,  
FIG. 5 is a bottom plan view thereof.

**1 Claim, 2 Drawing Sheets**



# US D704,543 S

Page 2

---

(56)

## References Cited

### U.S. PATENT DOCUMENTS

2003/0039527 A1\* 2/2003 Schatz ..... 411/9  
2005/0136735 A1\* 6/2005 Rodrigues et al. .... 439/578

### FOREIGN PATENT DOCUMENTS

DE 20 2010 005 054 U1 8/2011

EP 1 065 388 A1 1/2001  
EP 2 322 811 A1 5/2011  
GB 813048 A 5/1959

### OTHER PUBLICATIONS

Translation of European Search Report dated Oct. 22, 2013 relating to European Patent Application No. 13 17 3377.

\* cited by examiner

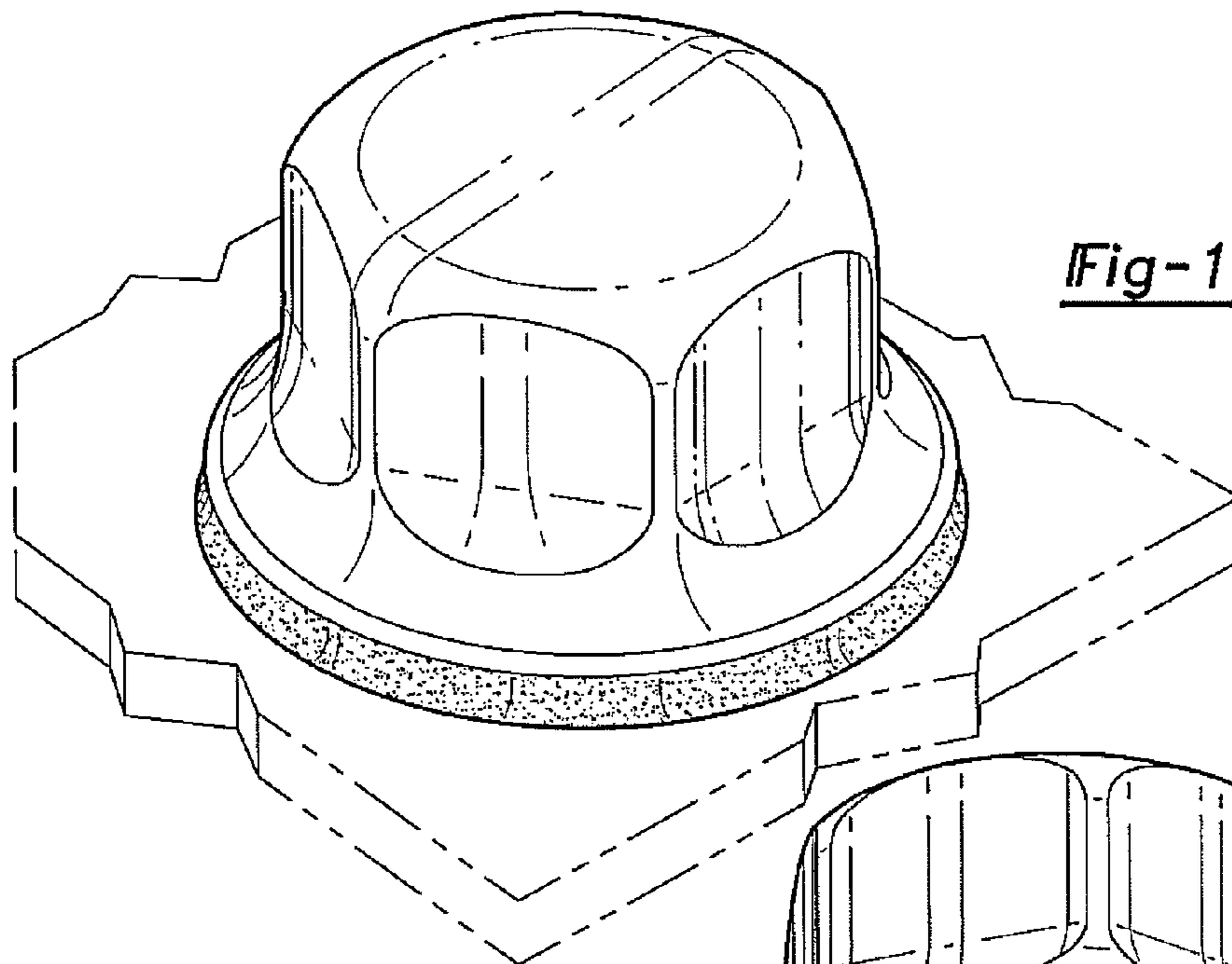


Fig-1

Fig-2

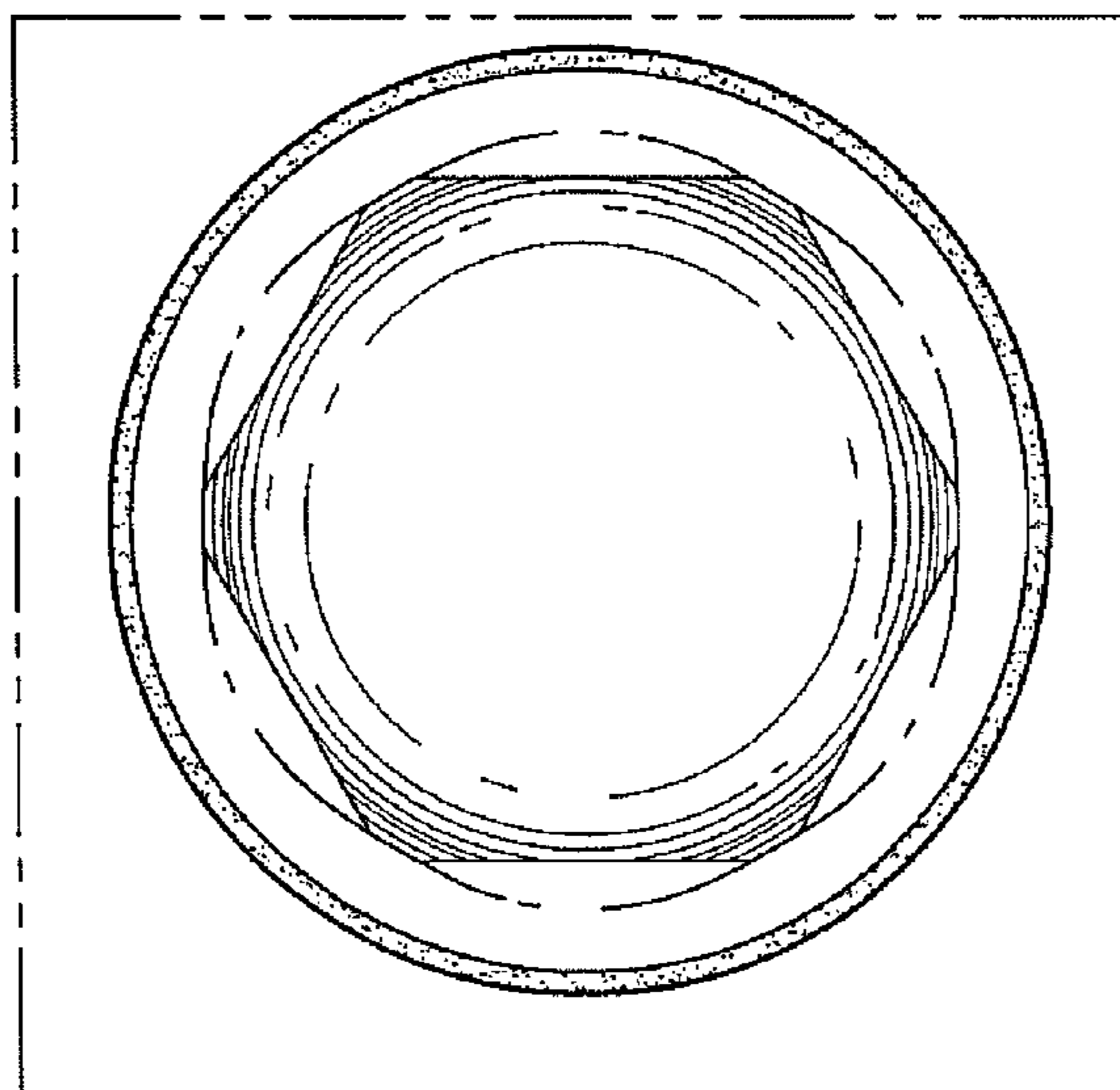
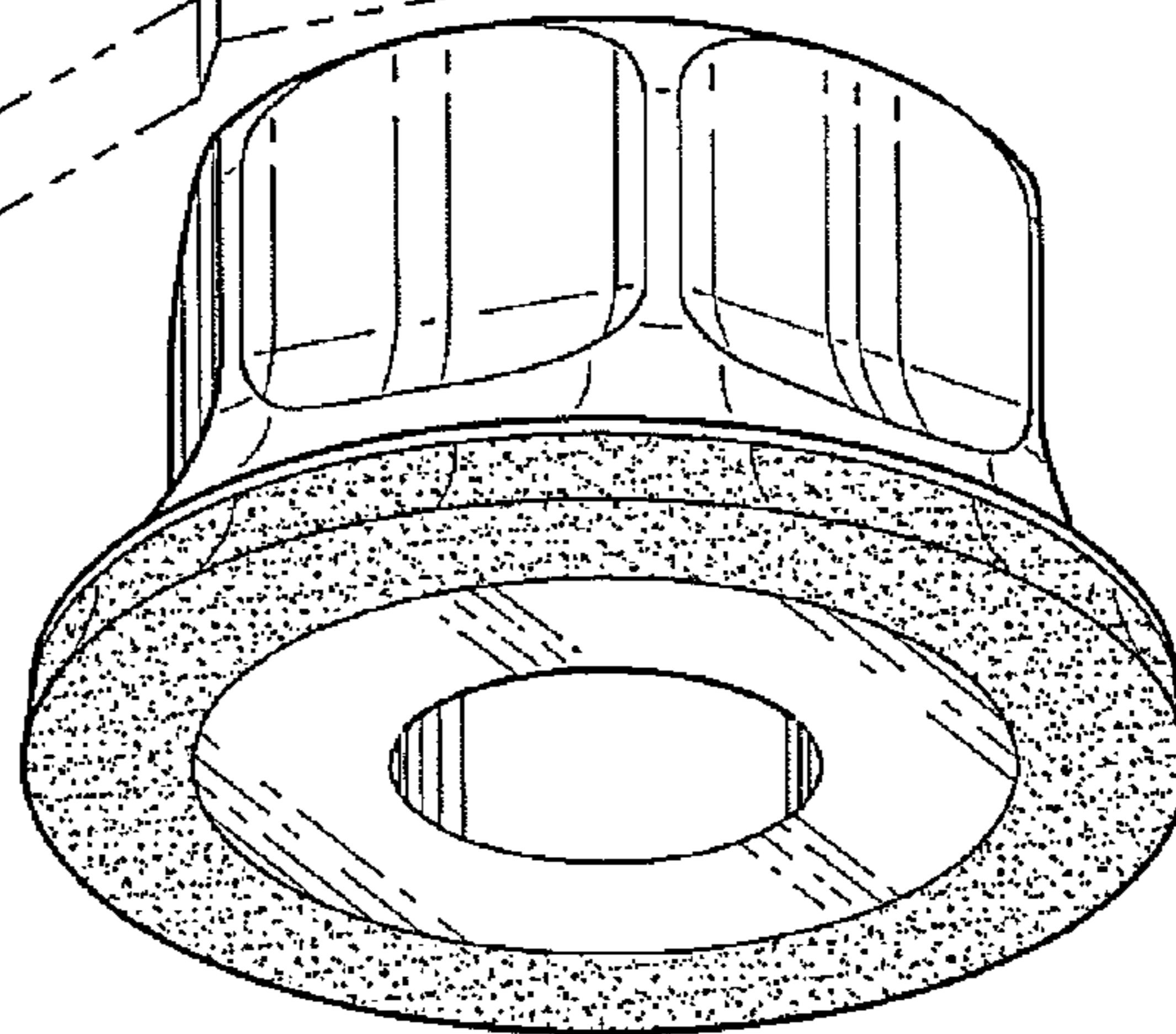


Fig-3

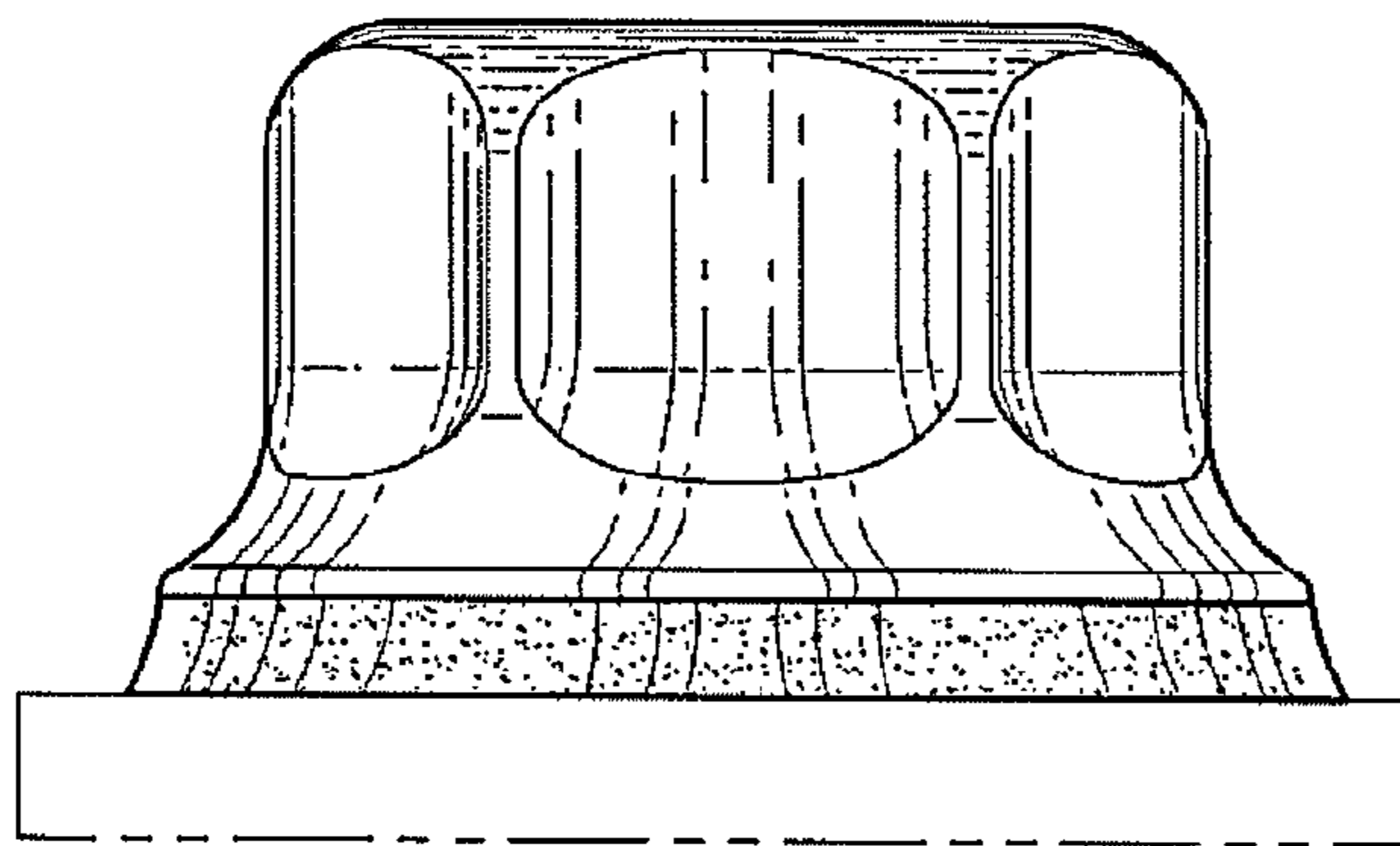


Fig-4

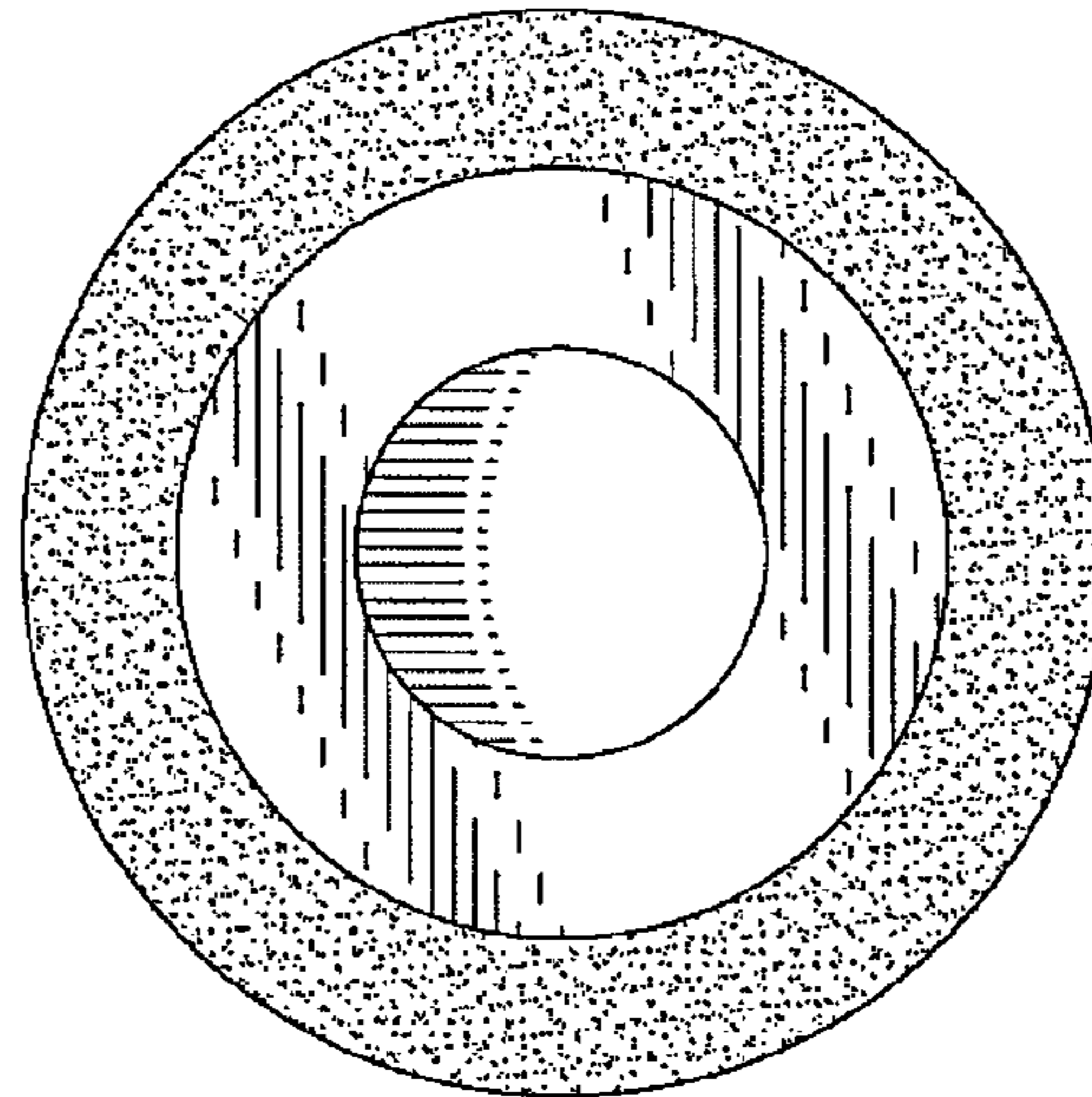


Fig-5