



US00D704542S

(12) **United States Design Patent**  
**Sudell**

(10) **Patent No.:** **US D704,542 S**

(45) **Date of Patent:** **\*\* May 13, 2014**

(54) **GARMENT CLIP FOR HOLDING PATIENT TUBING**

(71) Applicant: **Steven M. Sudell**, Santa Monica, CA (US)

(72) Inventor: **Steven M. Sudell**, Santa Monica, CA (US)

(\*\*) Term: **14 Years**

(21) Appl. No.: **29/452,420**

(22) Filed: **Apr. 16, 2013**

(51) **LOC (10) Cl.** ..... **08-08**

(52) **U.S. Cl.**  
USPC ..... **D8/395**; D8/396; D8/356

(58) **Field of Classification Search**  
USPC ..... D8/354, 356, 371, 394-396; D19/65, D19/86; D24/128; 248/74.2, 215, 227.1, 49, 248/300, 301, 316.7, 51, 489; 24/570, 3.12; D32/61; D11/78.1  
See application file for complete search history.

(56) **References Cited**

**U.S. PATENT DOCUMENTS**

D156,659	S	*	12/1949	Reed	.....	D8/395
2,566,837	A	*	9/1951	Huelsmeyer	.....	40/658
D165,253	S	*	11/1951	Ward	.....	D3/224
D327,095	S	*	6/1992	Meyer	.....	D19/90
D338,048	S	*	8/1993	Finley	.....	D21/796
D405,808	S	*	2/1999	Bankier	.....	D15/78
6,378,828	B1	*	4/2002	Valiulis et al.	.....	248/231.81
D478,630	S	*	8/2003	Riggins	.....	D19/83
D545,183	S	*	6/2007	French et al.	.....	D8/394
D561,574	S	*	2/2008	Lown et al.	.....	D8/395
D589,337	S	*	3/2009	Karlsson	.....	D8/394
D600,543	S	*	9/2009	Coles	.....	D8/395
D609,558	S	*	2/2010	Pilarski	.....	D8/395
D644,504	S	*	9/2011	Rieder	.....	D8/395
D663,357	S	*	7/2012	Bookhamer et al.	.....	D19/81

D674,274	S	*	1/2013	Gasparino	.....	D8/395
2007/0024805	A1	*	2/2007	Sasaki	.....	351/47
2010/0254123	A1	*	10/2010	Brown	.....	362/191
2012/0267811	A1	*	10/2012	Weitzman	.....	264/16

\* cited by examiner

*Primary Examiner* — John Windmuller

(74) *Attorney, Agent, or Firm* — Mark Young, P.A.

(57) **CLAIM**

The ornamental design for a garment clip for holding patient tubing, as shown and described.

**DESCRIPTION**

FIG. 1 is a plan view of a garment clip for holding patient tubing.

FIG. 2 is a first side view of the garment clip for holding patient tubing shown in FIG. 1.

FIG. 3 is a second side view of the garment clip for holding patient tubing shown in FIG. 1.

FIG. 4 is a third side view of the garment clip for holding patient tubing shown in FIG. 1.

FIG. 5 is a first bottom perspective view of the garment clip for holding patient tubing shown in FIG. 1.

FIG. 6 is a bottom view of the garment clip for holding patient tubing shown in FIG. 1.

FIG. 7 is a second bottom perspective view of the garment clip for holding patient tubing shown in FIG. 1.

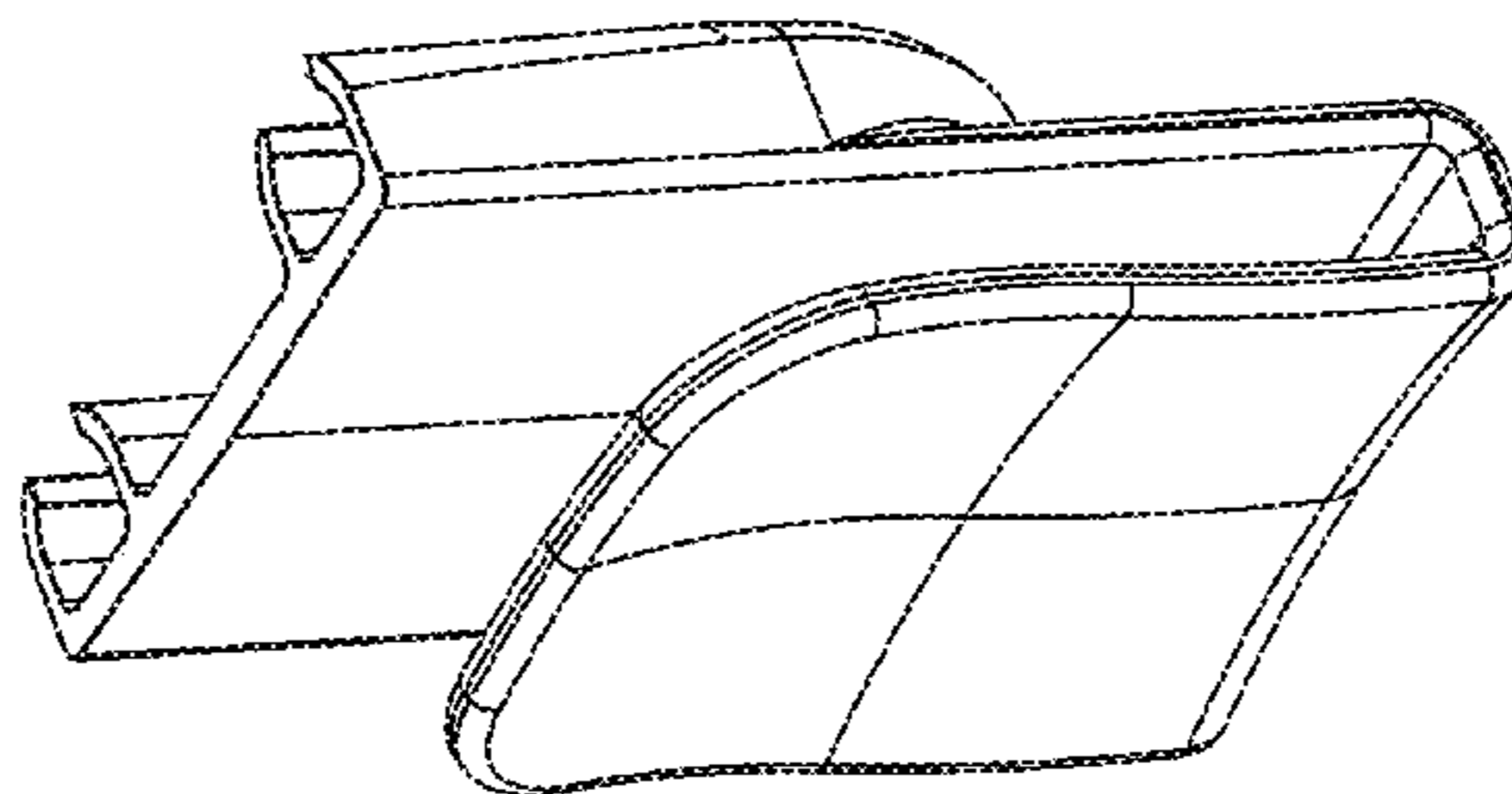
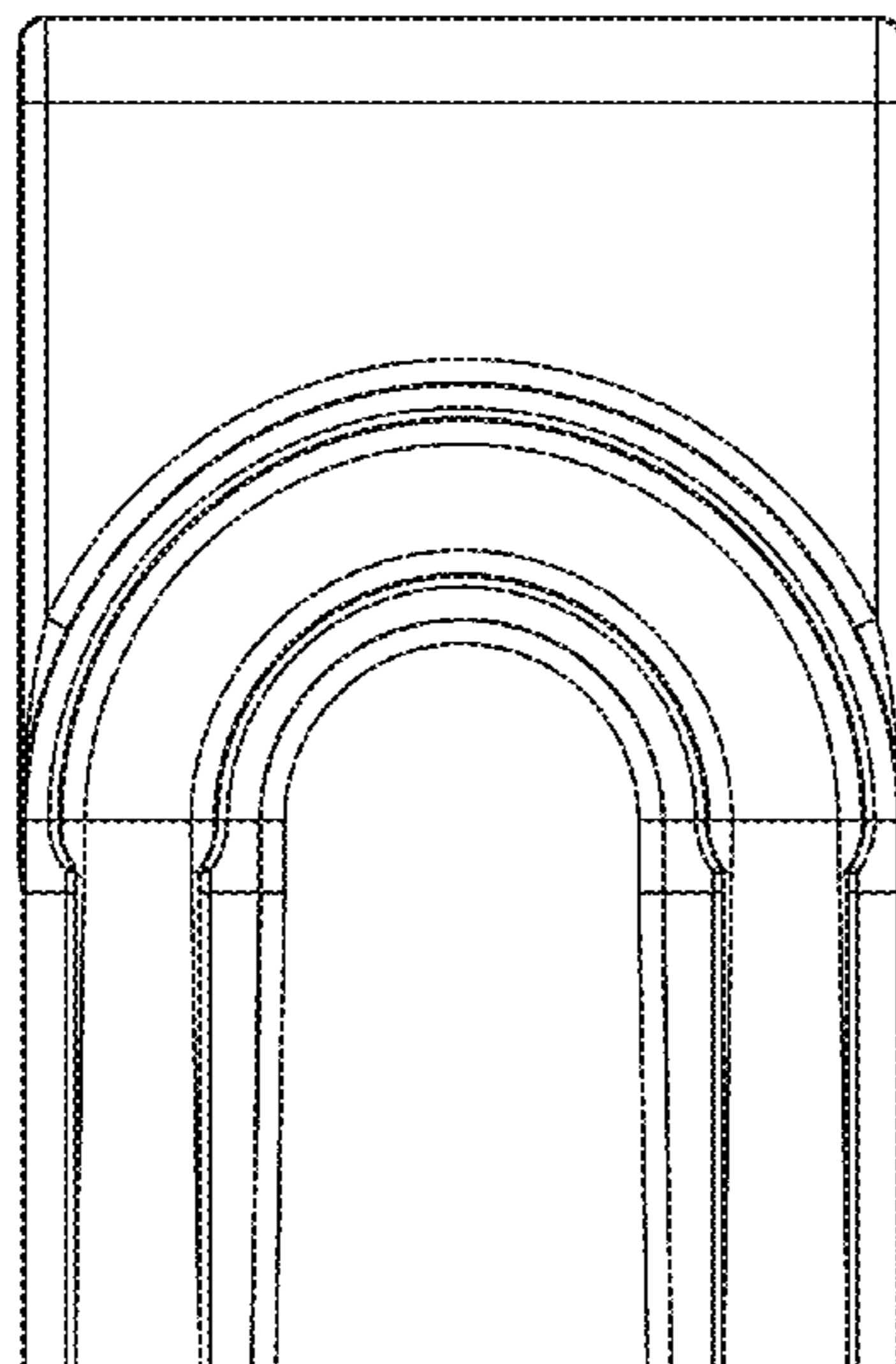
FIG. 8 is first top perspective of the garment clip for holding patient tubing shown in FIG. 1.

FIG. 9 is a second top perspective view of the garment clip for holding patient tubing shown in FIG. 1.

FIG. 10 is a third bottom perspective view of the garment clip for holding patient tubing shown in FIG. 1; and,

FIG. 11 is a fourth bottom perspective view of the garment clip for holding patient tubing shown in FIG. 1.

**1 Claim, 11 Drawing Sheets**



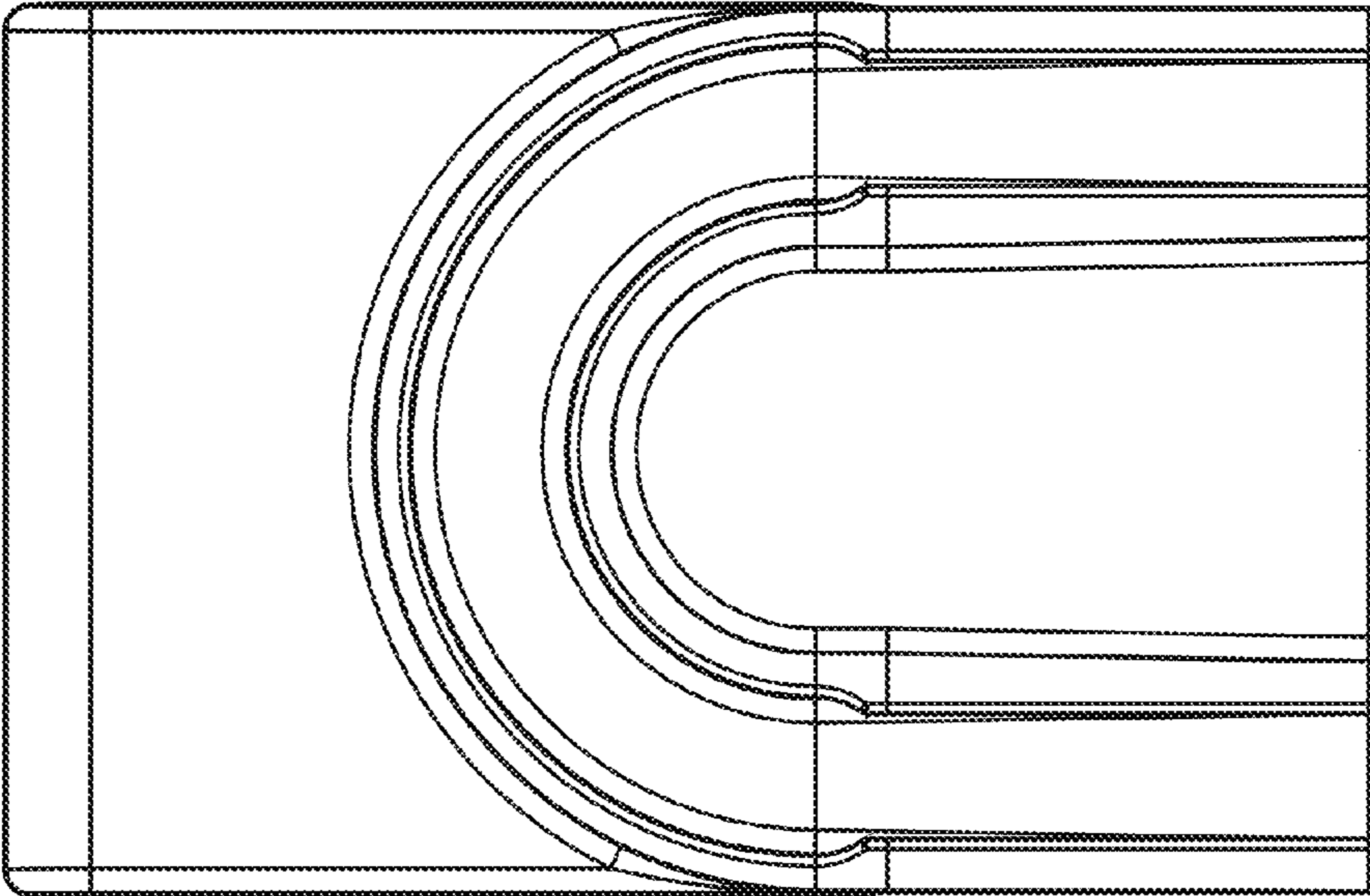


FIG. 1

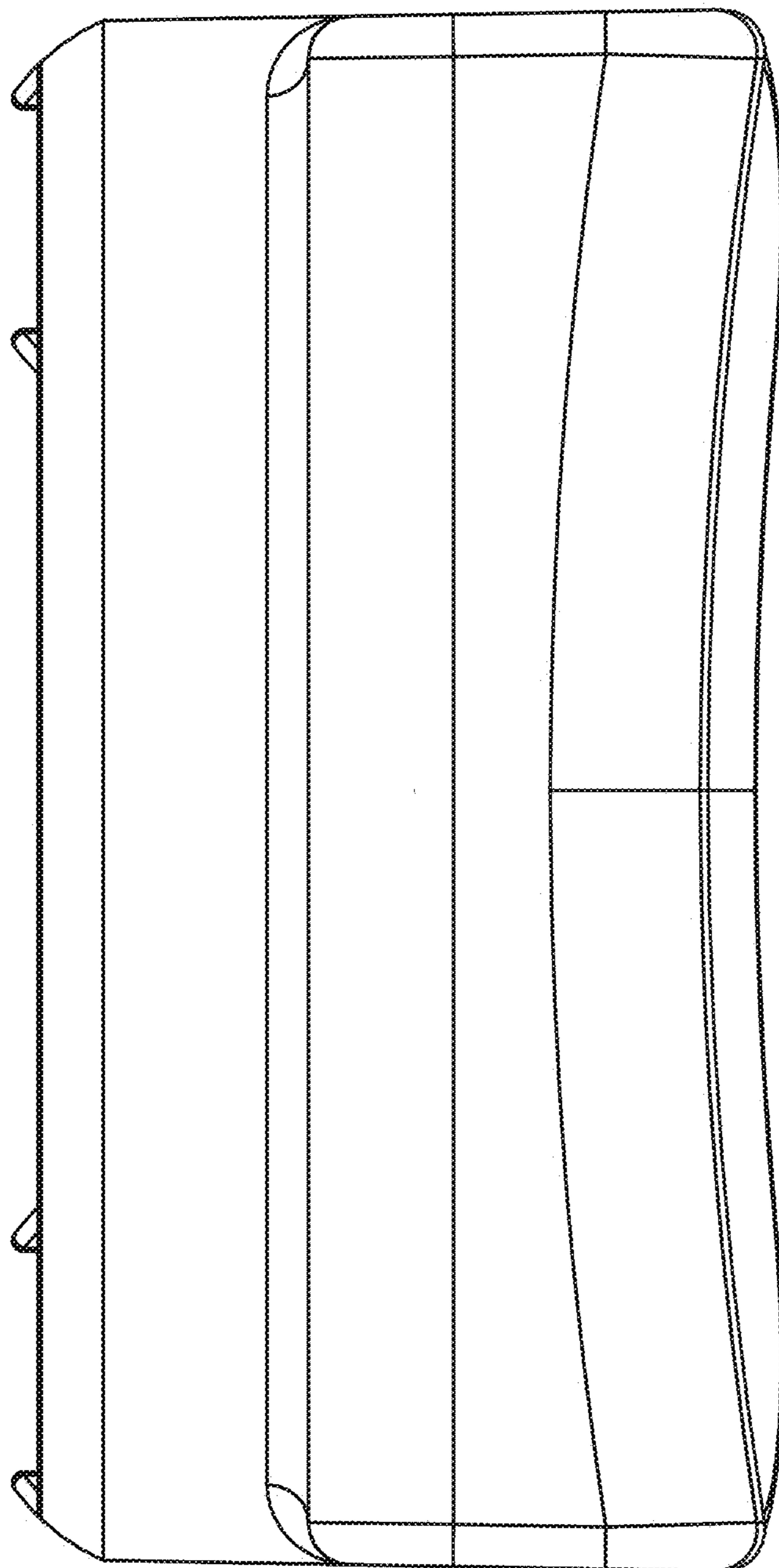


FIG. 2

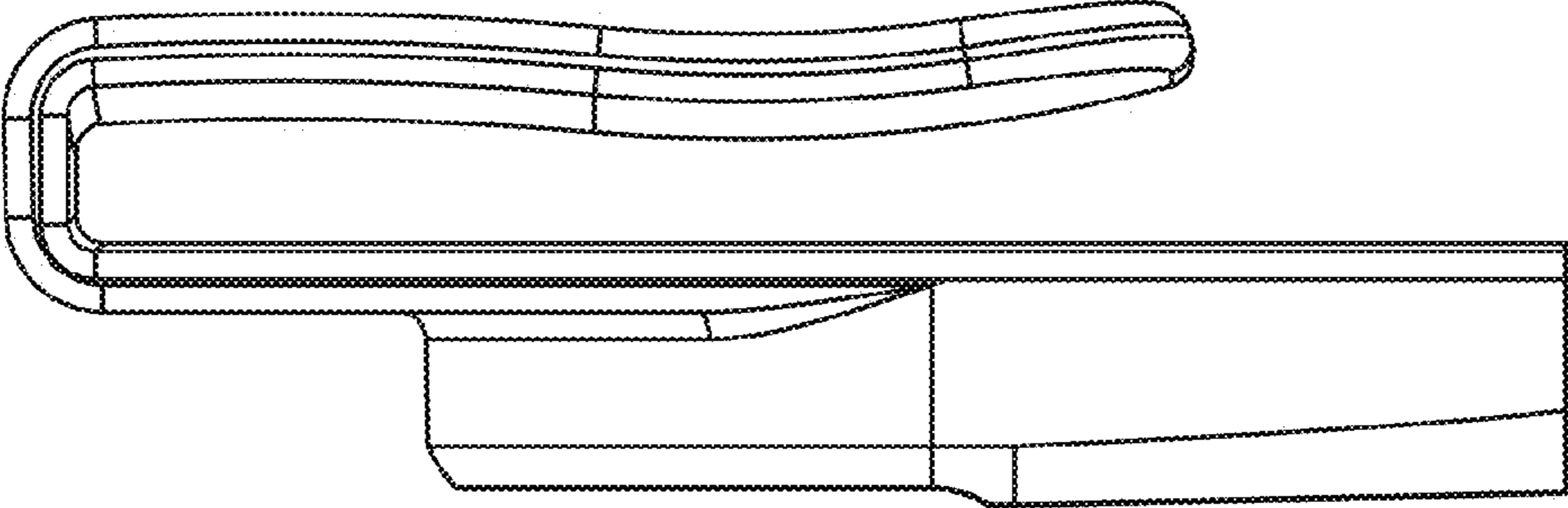


FIG. 3

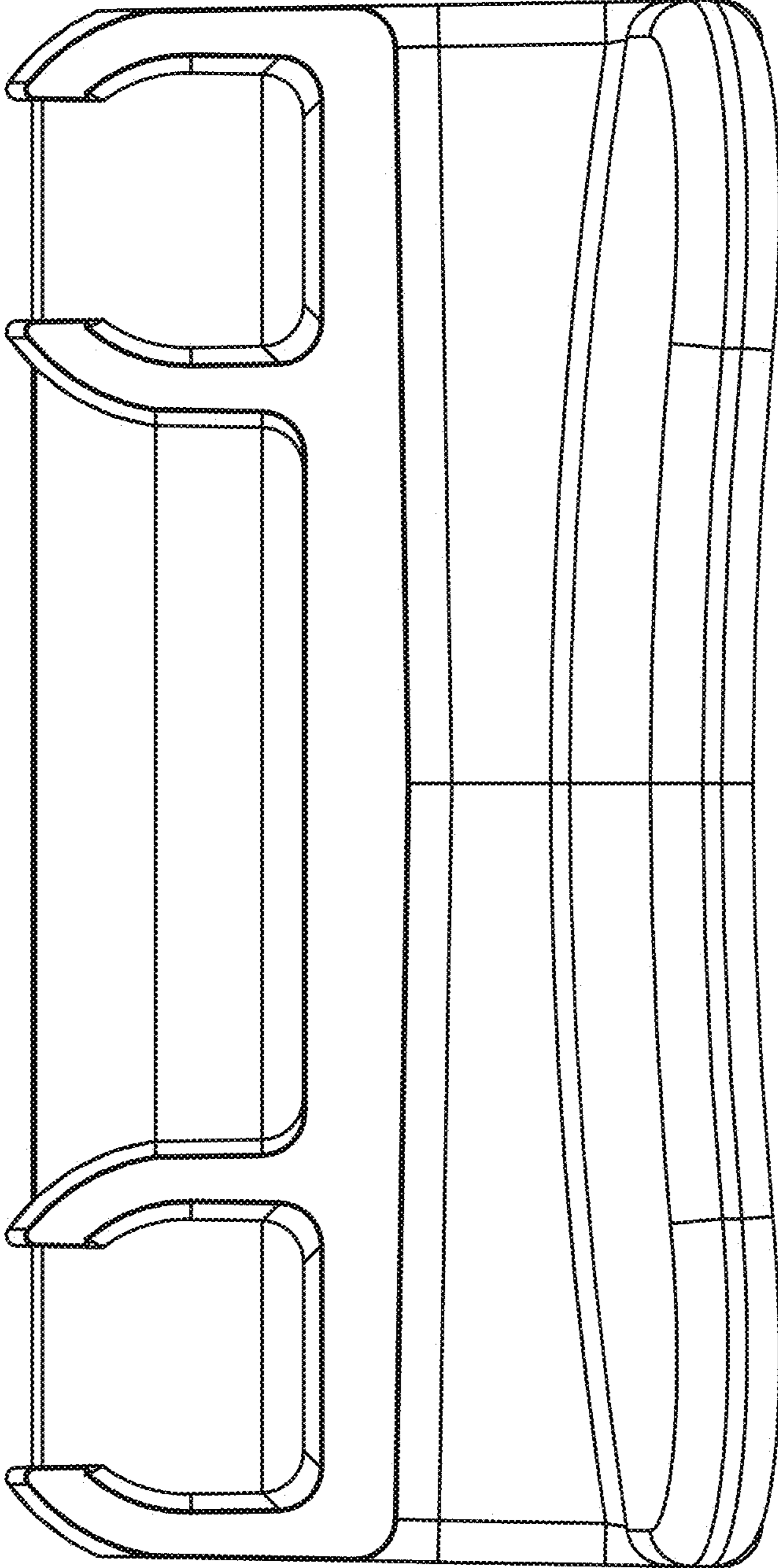


FIG. 4

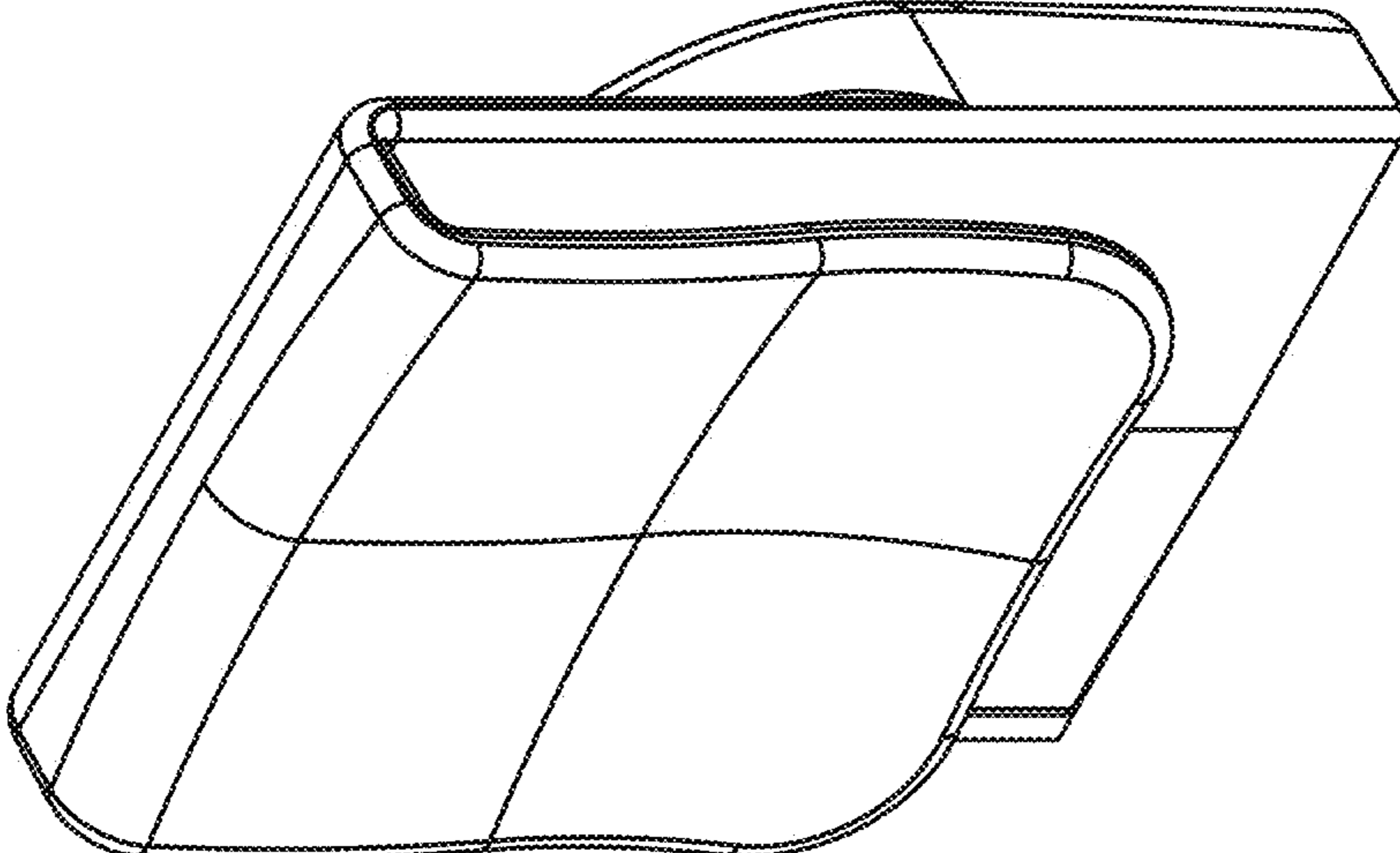


FIG. 5

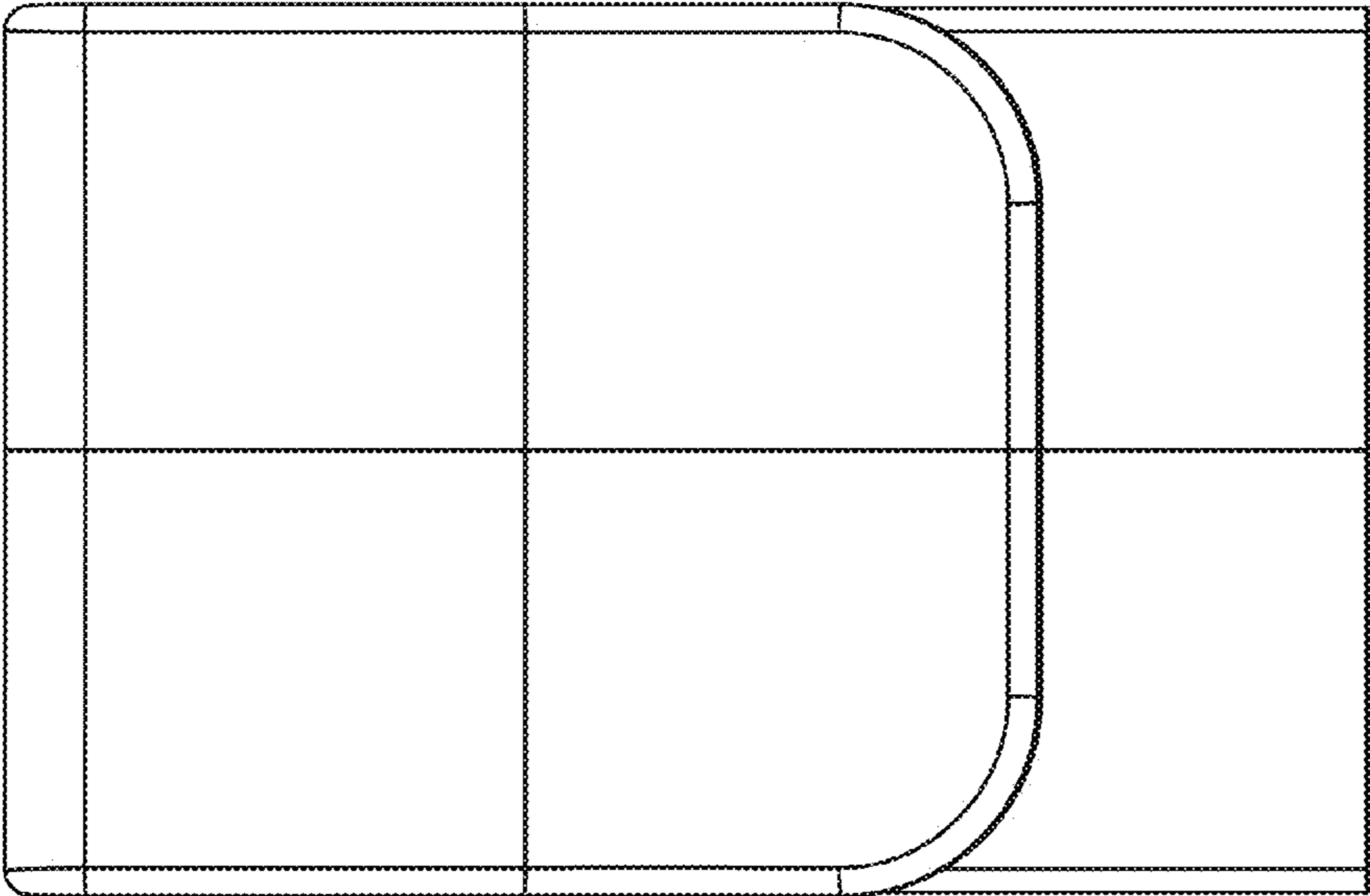


FIG. 6

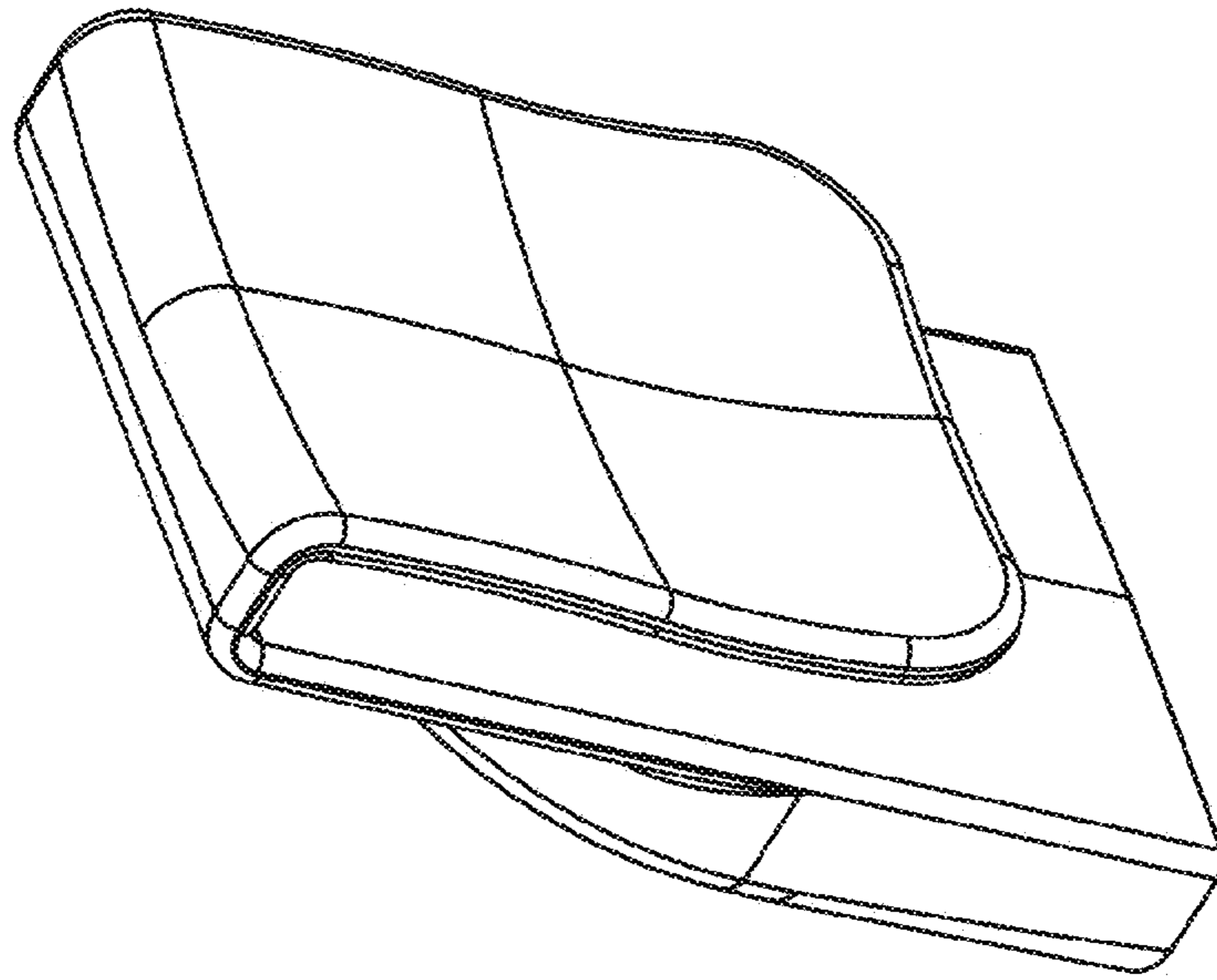


FIG. 7



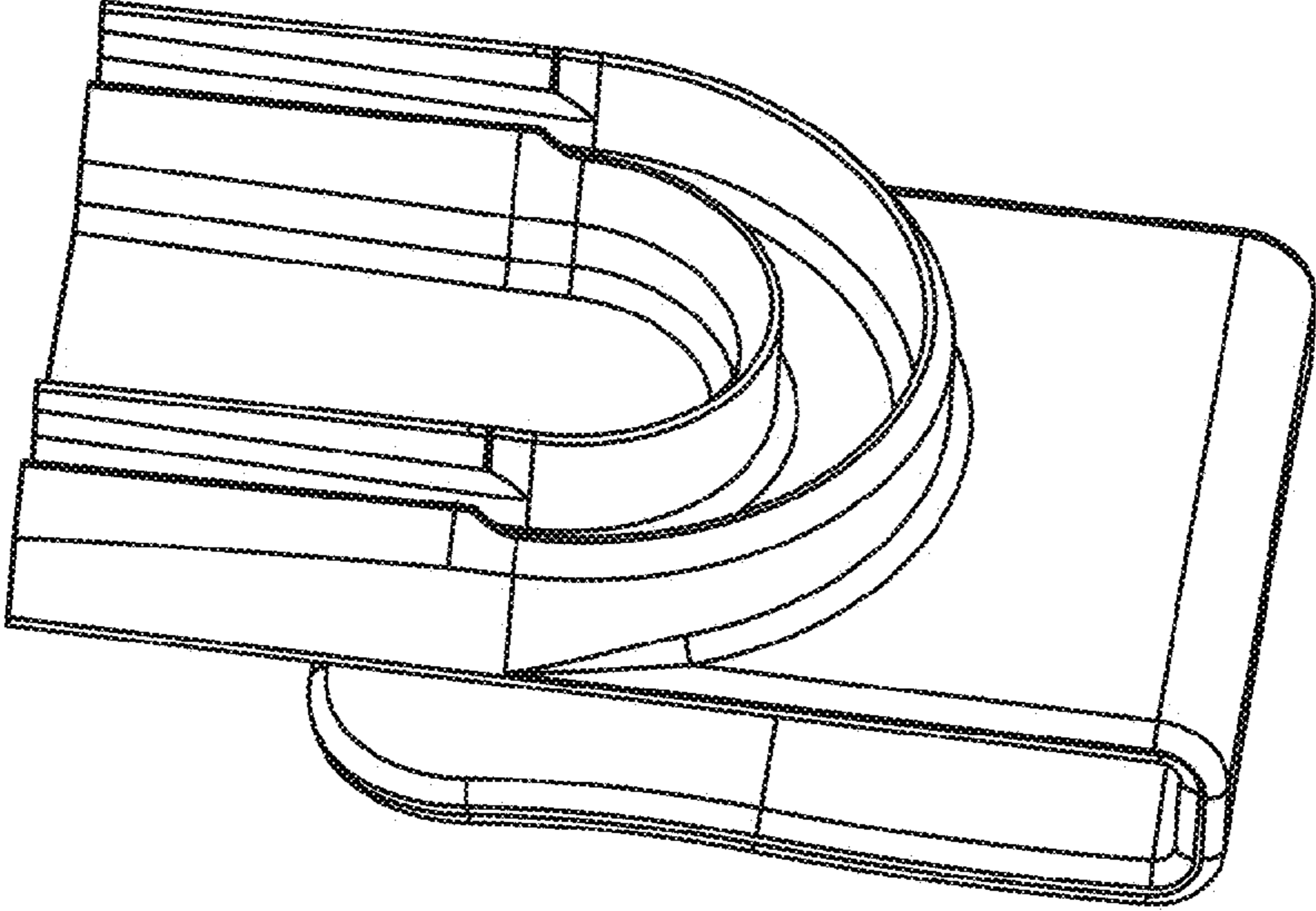


FIG. 8

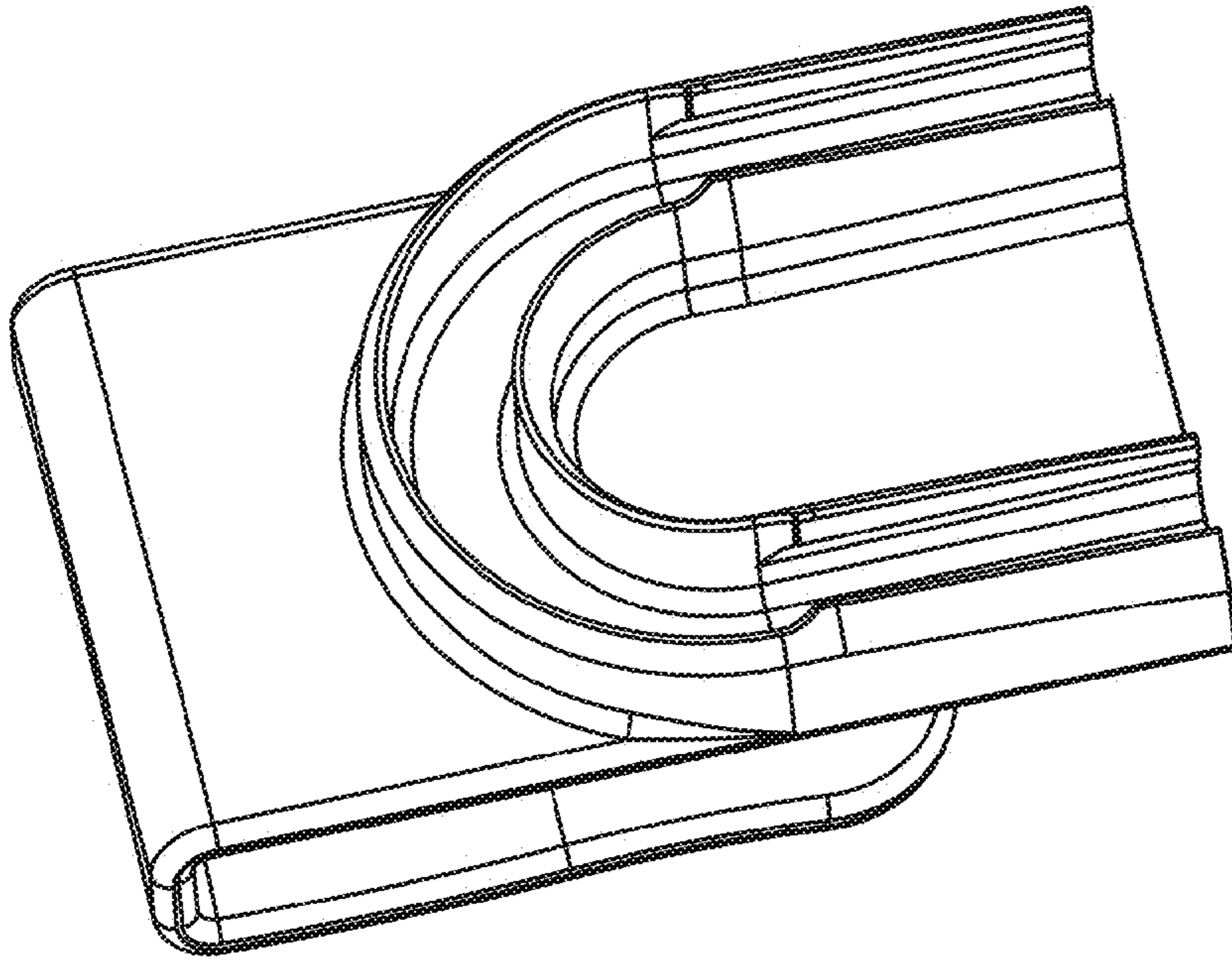


FIG. 9

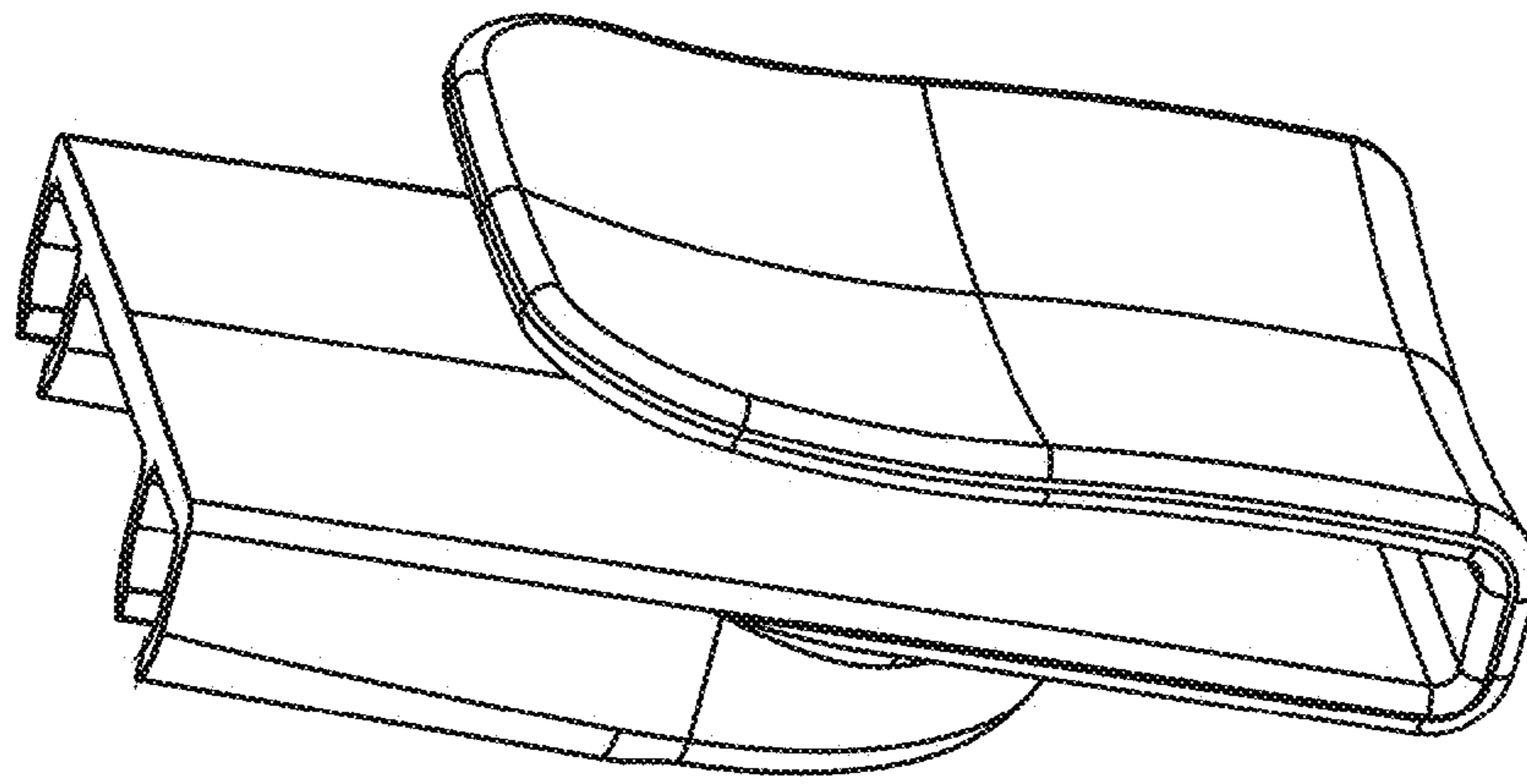


FIG. 10

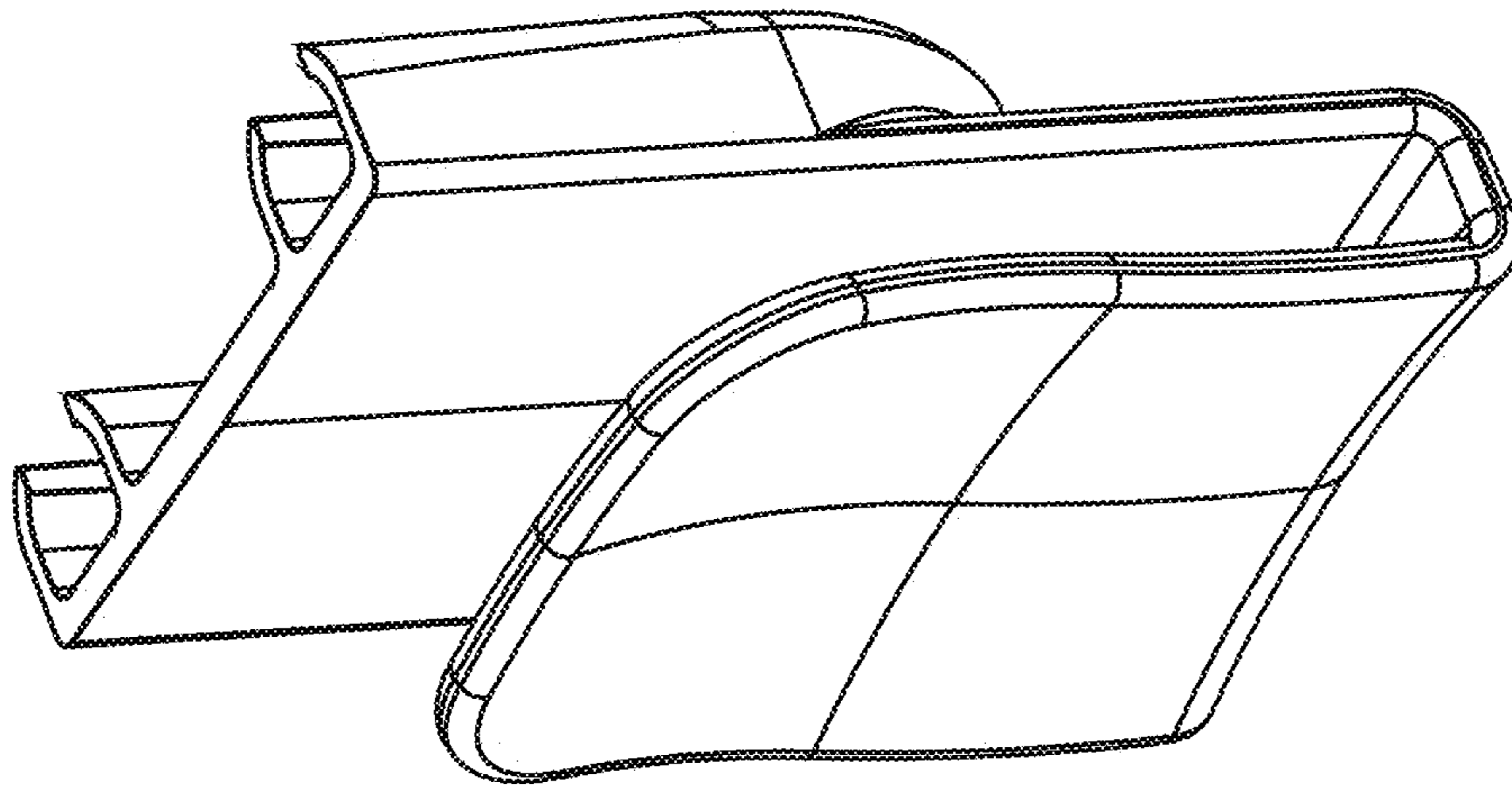


FIG. 11