



US00D704540S

(12) **United States Design Patent**
Shibamoto et al.

(10) **Patent No.:** **US D704,540 S**
(45) **Date of Patent:** **** May 13, 2014**

(54) **ADAPTER FOR AFFIXING A MAGNETIC SENSOR**

(75) Inventors: **Koichi Shibamoto**, Nasushiobara (JP);
Yoshitaka Mine, Nasushiobara (JP);
Hiroyuki Shikata, Nasushiobara (JP);
Takashi Takeuchi, Otawara (JP);
Takashi Kubota, Otawara (JP)

(73) Assignees: **Kabushiki Kaisha Toshiba**, Minato-Ku,
Tokyo (JP); **Toshiba Medical Systems Corporation**,
Otawara-Shi, Tochigi-Ken (JP)

(**) Term: **14 Years**

(21) Appl. No.: **29/406,065**

(22) Filed: **Nov. 9, 2011**

(30) **Foreign Application Priority Data**

May 25, 2011 (JP) 2011-011693

(51) **LOC (10) Cl.** **08-08**

(52) **U.S. Cl.**
USPC **D8/394**

(58) **Field of Classification Search**
USPC D8/354, 356, 371, 394-396; D19/65,
D19/86; D24/128; 248/74.2, 215, 227.1, 49,
248/300, 301, 316.7, 51, 489; 24/570, 3.12;
D32/61; D11/78.1; 600/447; 367/140
See application file for complete search history.

(56) **References Cited**

U.S. PATENT DOCUMENTS

D564,076 S * 3/2008 Brockington et al. D23/262
D599,667 S * 9/2009 Gedmin D9/516
D643,415 S * 8/2011 Vasquez D14/223
D652,511 S * 1/2012 Lombardi et al. D24/129
D655,411 S * 3/2012 Schroeder et al. D24/129
2004/0078879 A1 * 4/2004 Zach et al. 4/227.3

(Continued)

FOREIGN PATENT DOCUMENTS

JP 1267593 4/2006
JP 1299868 5/2007

Primary Examiner — John Windmuller

(74) *Attorney, Agent, or Firm* — Banner & Witcoff, Ltd.

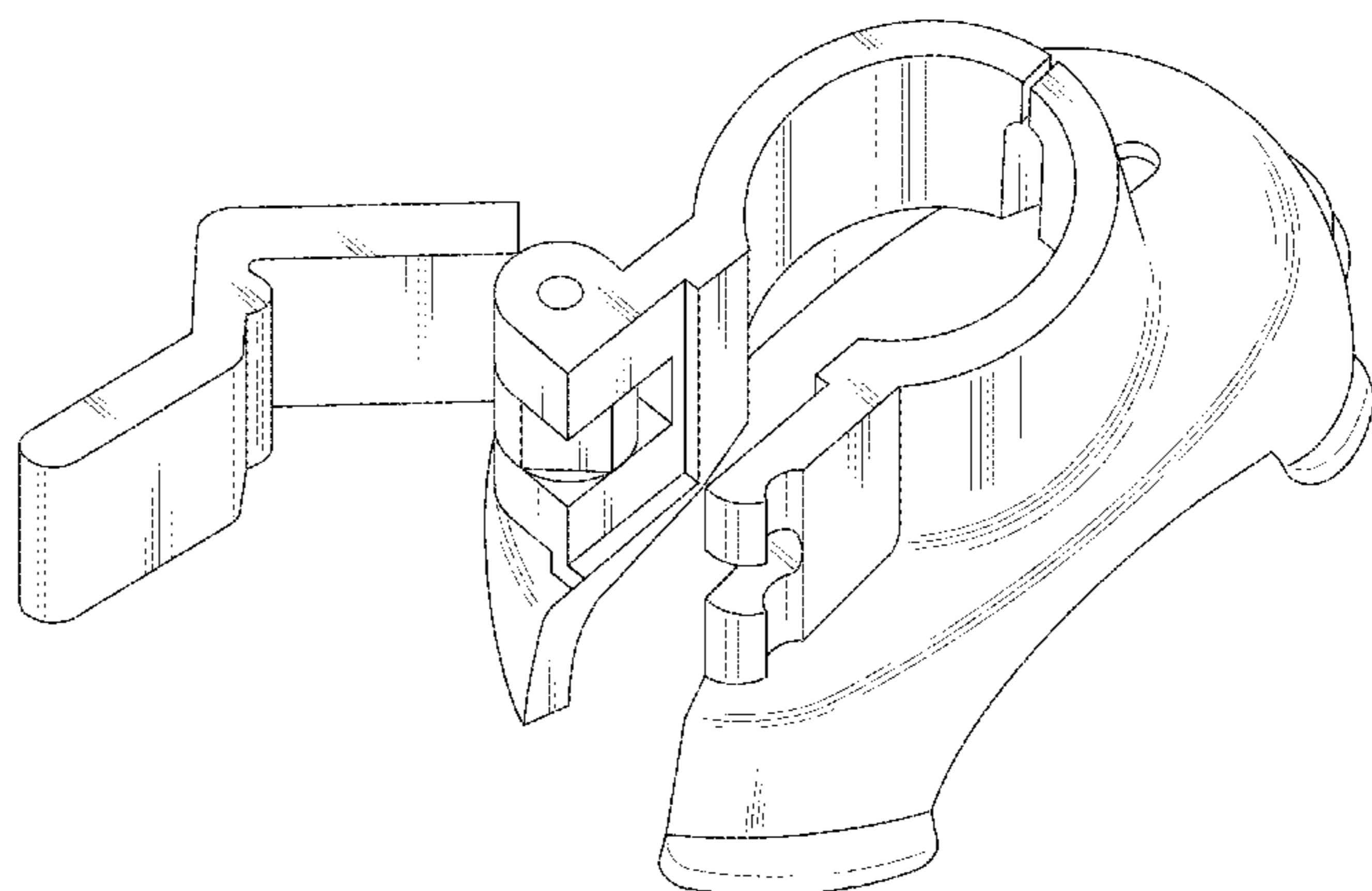
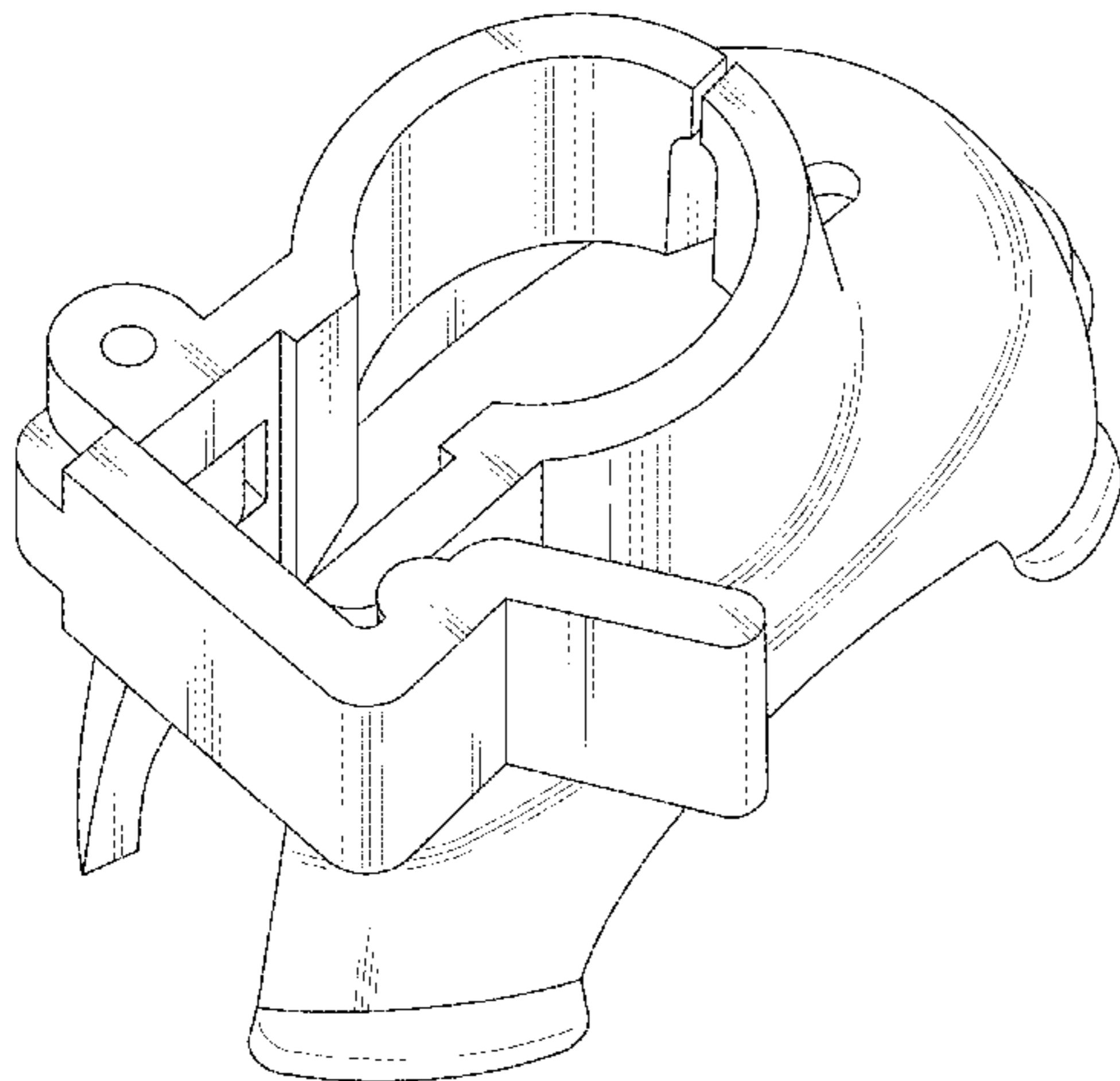
(57) **CLAIM**

The ornamental design for an adapter for affixing a magnetic sensor, as shown and described.

DESCRIPTION

FIG. 1 is a top perspective view of an adapter for affixing a magnetic sensor, showing our new design; FIG. 2 is a bottom perspective view thereof; FIG. 3 is a front elevational view thereof; FIG. 4 is a rear elevational view thereof; FIG. 5 is a top plan view thereof; FIG. 6 is a bottom plan view thereof; FIG. 7 is a left side elevational view thereof; FIG. 8 is a right side elevational view thereof; FIG. 9 is a perspective view thereof with a lock opened; FIG. 10 is a front elevational view thereof with the lock opened; FIG. 11 is a left side elevational view thereof with the lock opened; FIG. 12 is a top plan view thereof with the lock opened; FIG. 13 is a cross-sectional view thereof, taken along the line 13-13 in FIG. 5; FIG. 14 is a cross-sectional view thereof, taken along the line 14-14 in FIG. 3; and, FIG. 15 is a cross-sectional view thereof, taken along the line 15-15 in FIG. 3. The broken lines showing in FIGS. 13, 14 and 15 of the thickness and interior surface of the adapter for affixing a magnetic sensor are for environmental purposes only and form no part of the claimed design.

1 Claim, 12 Drawing Sheets



(56)

References Cited

U.S. PATENT DOCUMENTS

2007/0186618 A1* 8/2007 Ackerman 73/1.06
2007/0251962 A1* 11/2007 Pikielny 224/193
2007/0270778 A9* 11/2007 Zinger et al. 604/523
2008/0048050 A1* 2/2008 Mazooji et al. 239/222.11

2008/0093327 A1* 4/2008 Stolle 215/235
2010/0001516 A1* 1/2010 Pisula et al. 285/311
2011/0266367 A1* 11/2011 Schaeffer et al. 239/302
2012/0260487 A1* 10/2012 Nichols 29/456
2012/0289861 A1* 11/2012 Stephens et al. 600/566

* cited by examiner

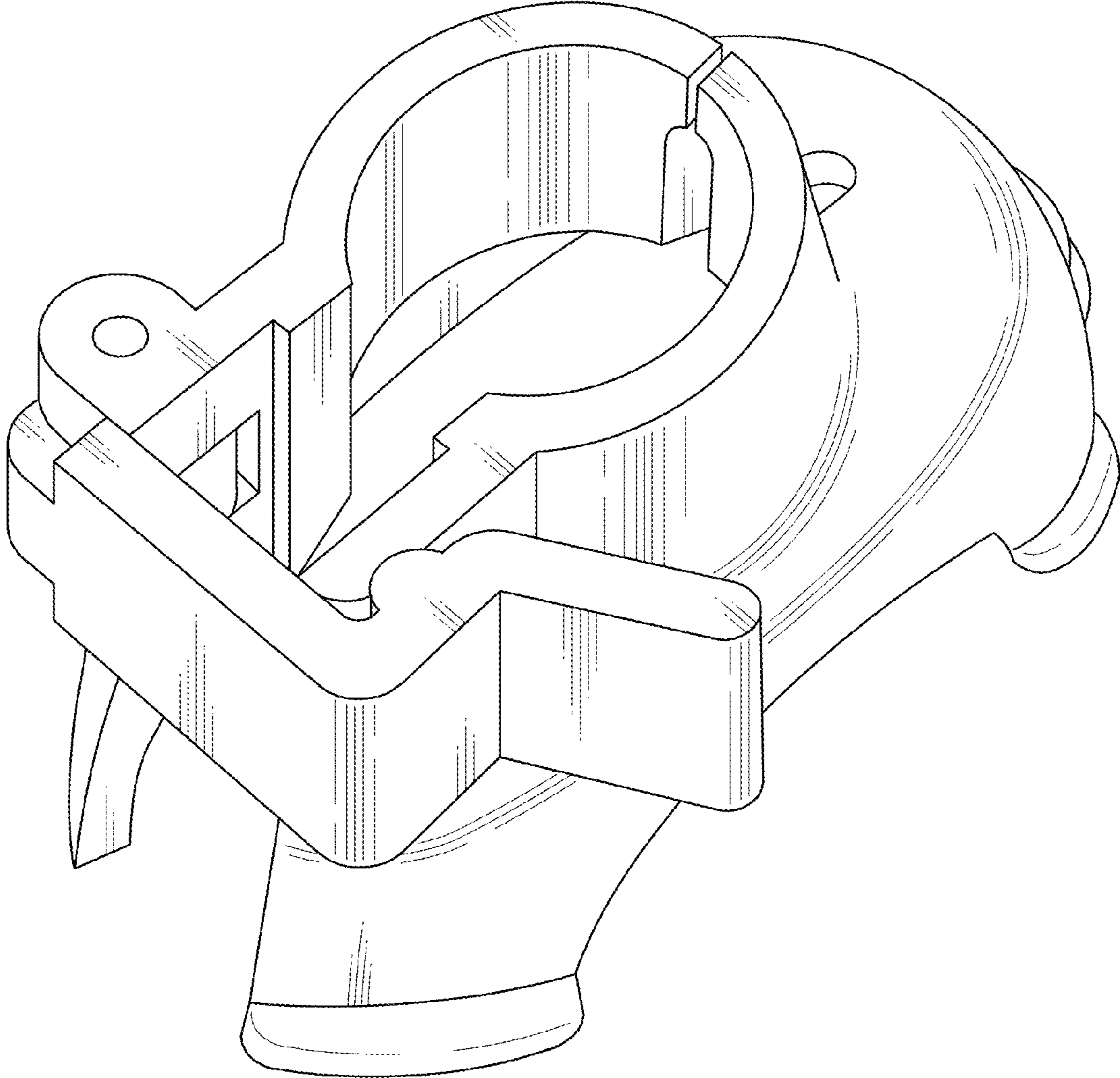


FIG. 1

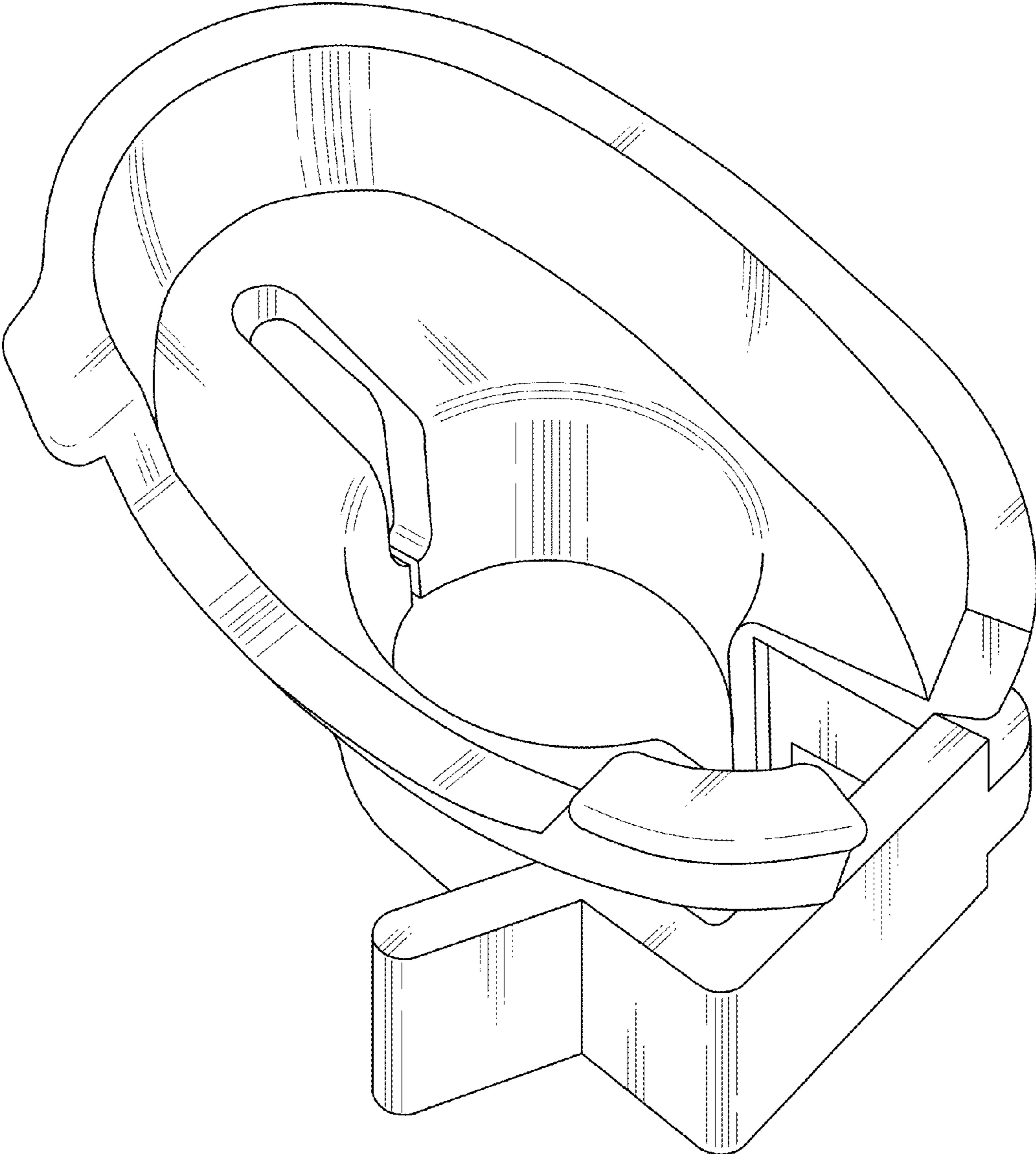
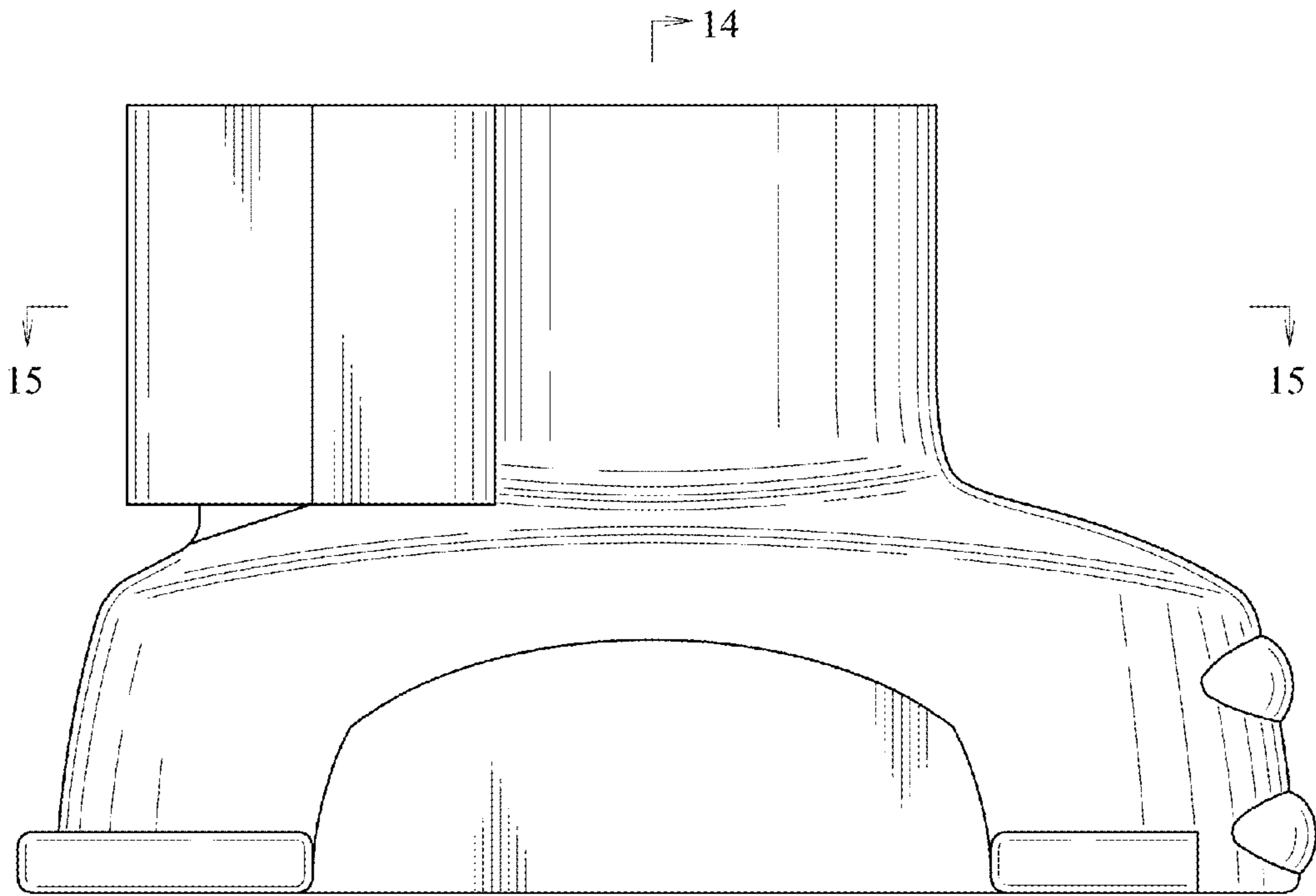


FIG. 2



14
FIG. 3

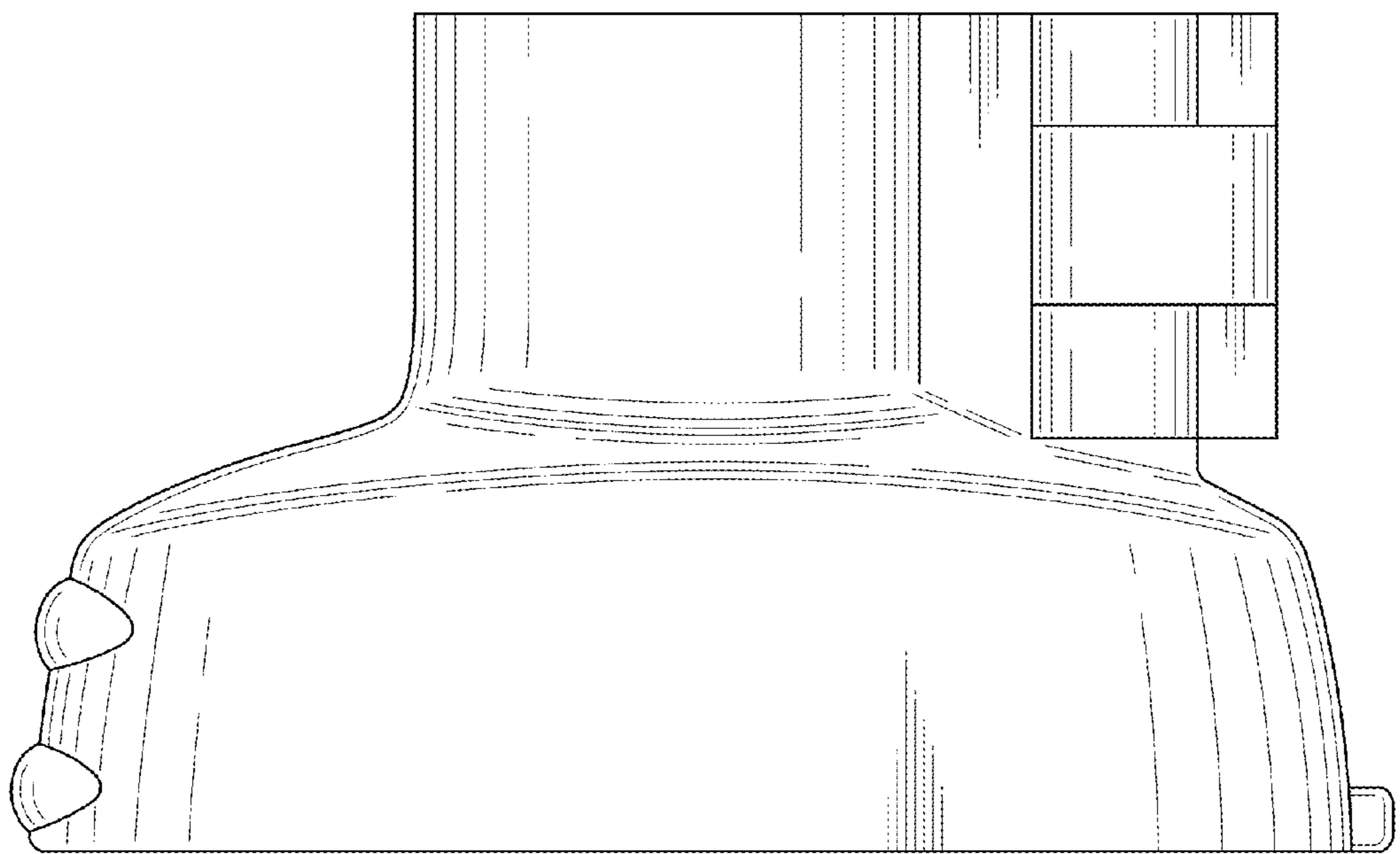


FIG. 4

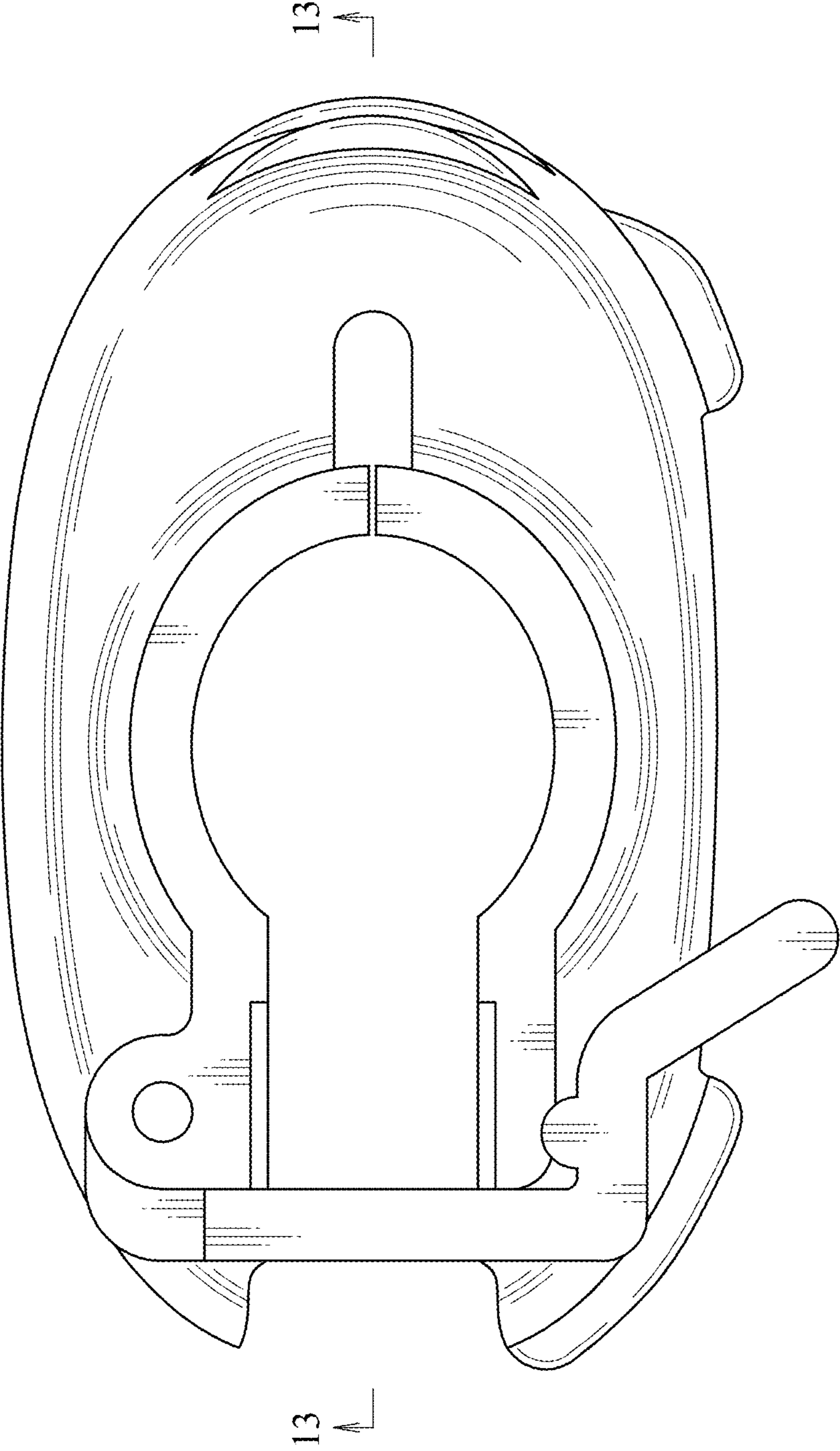


FIG. 5

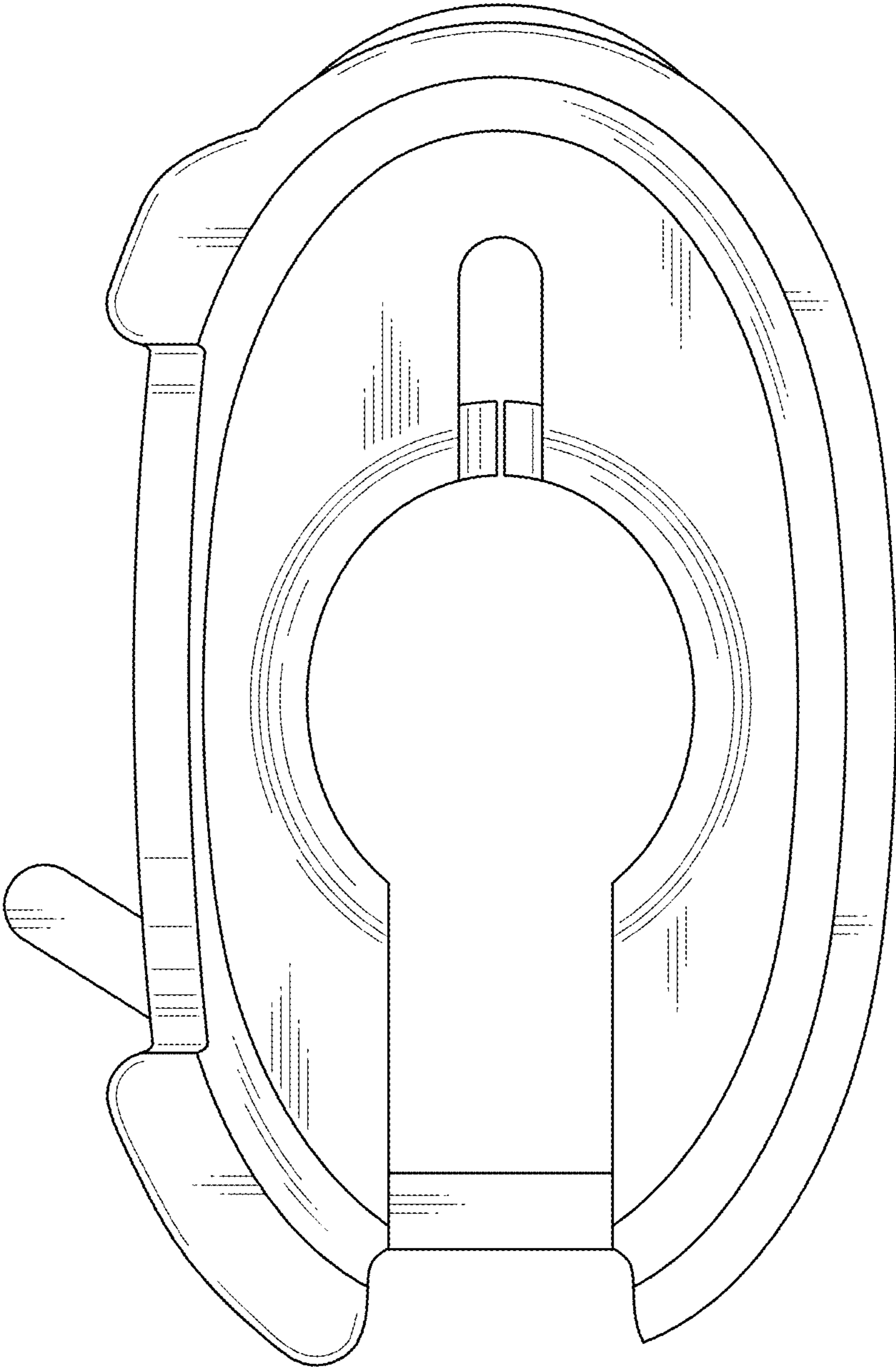


FIG. 6

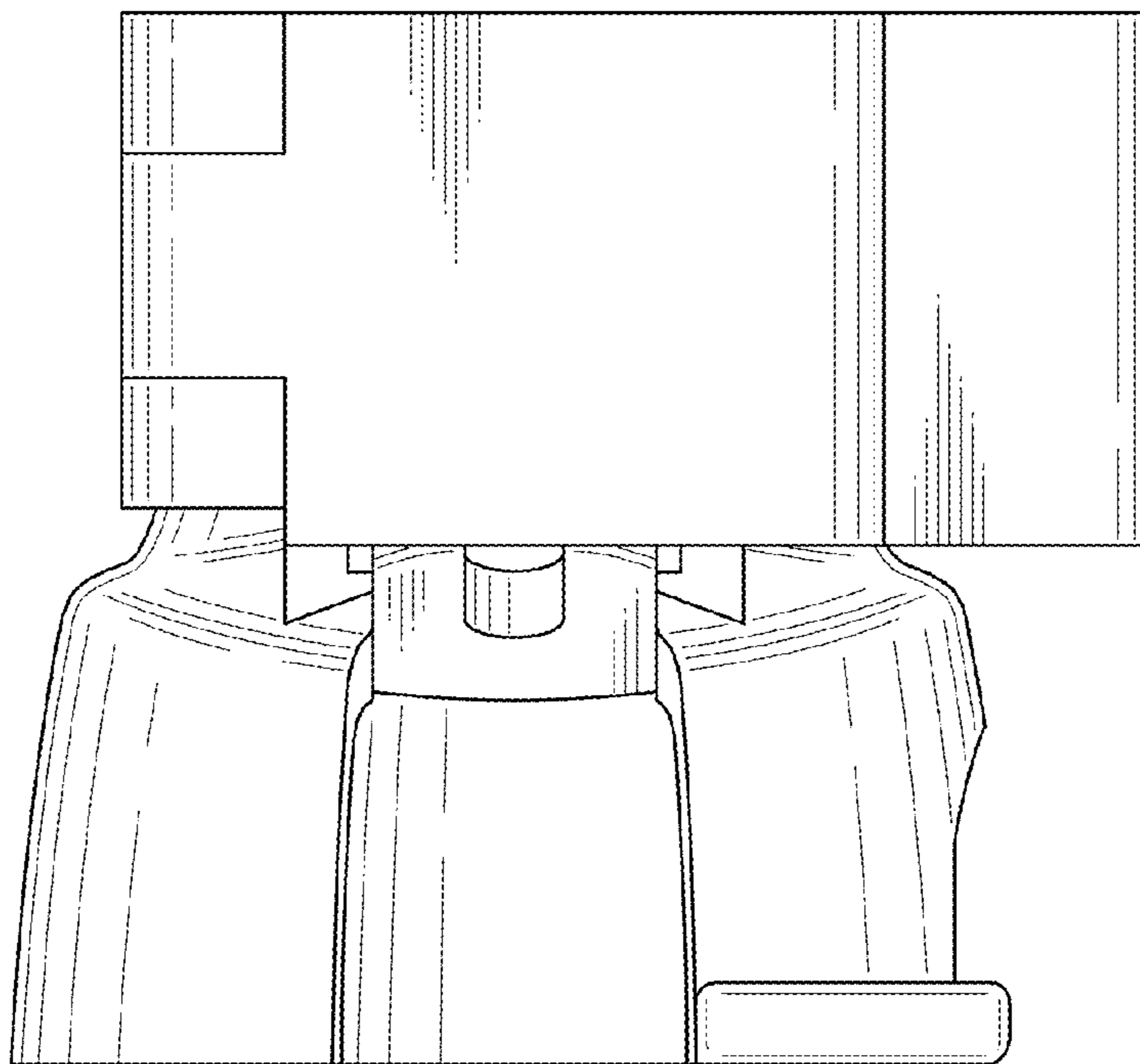


FIG. 7

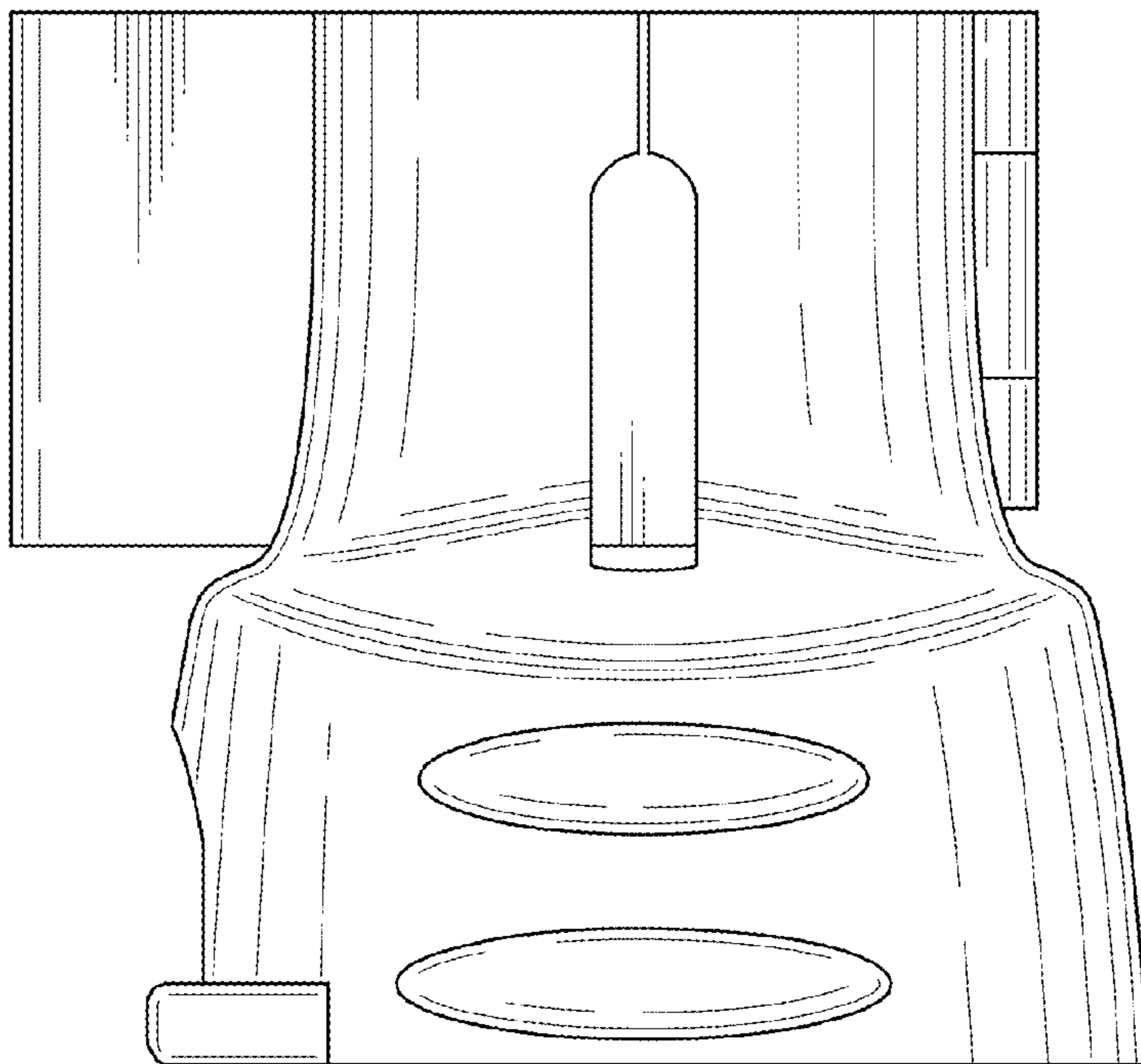


FIG. 8

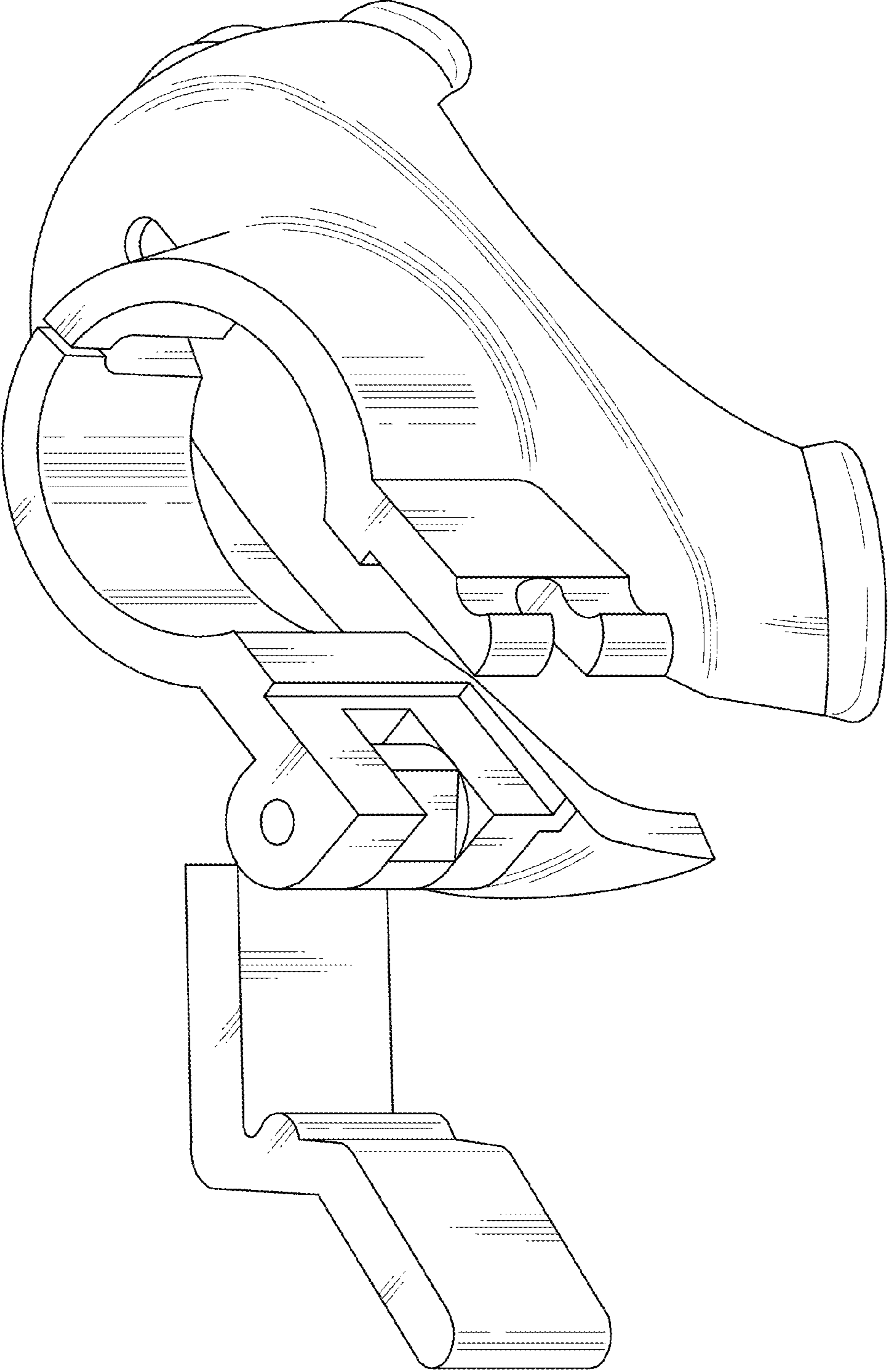


FIG. 9

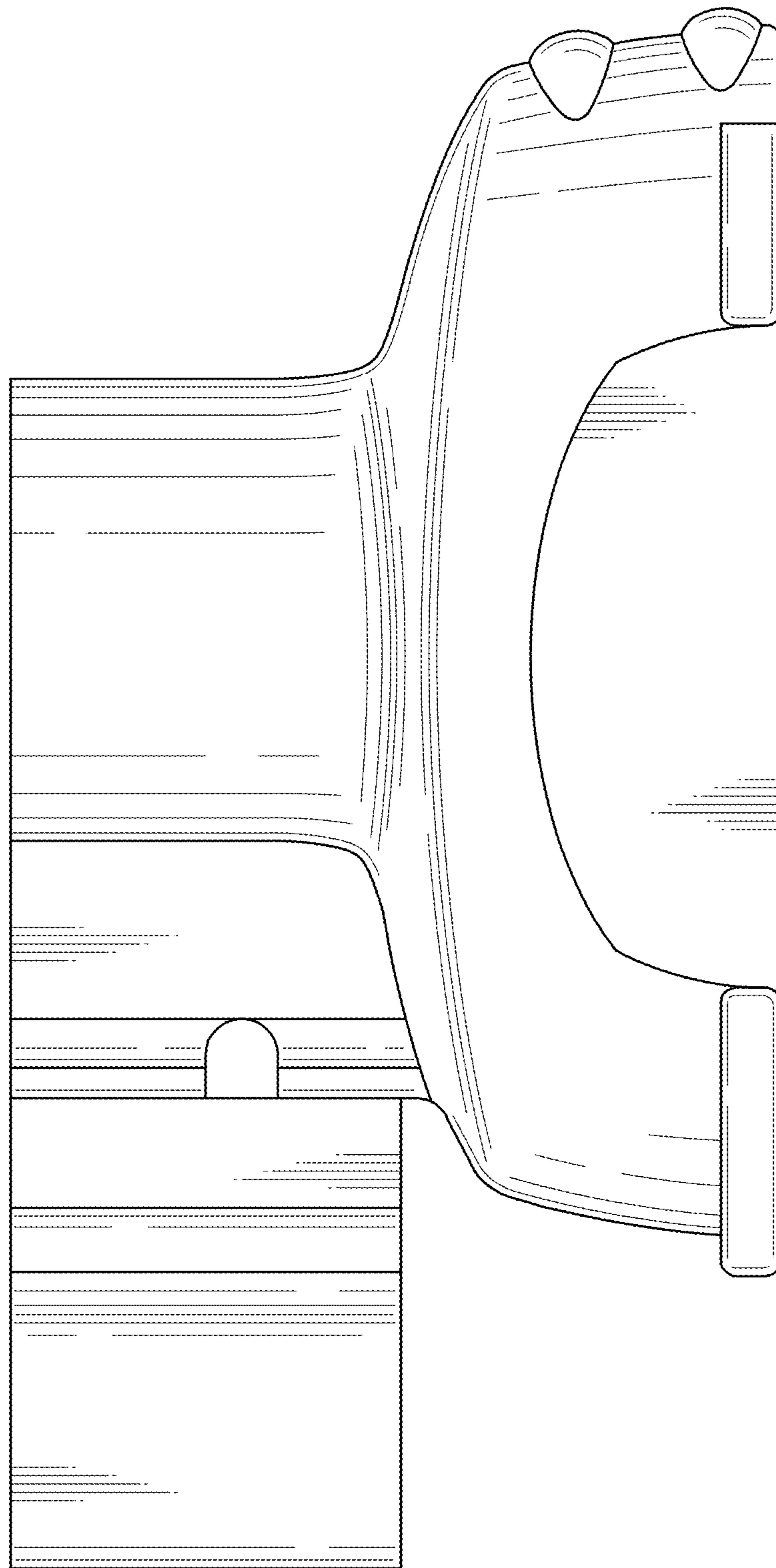


FIG. 10

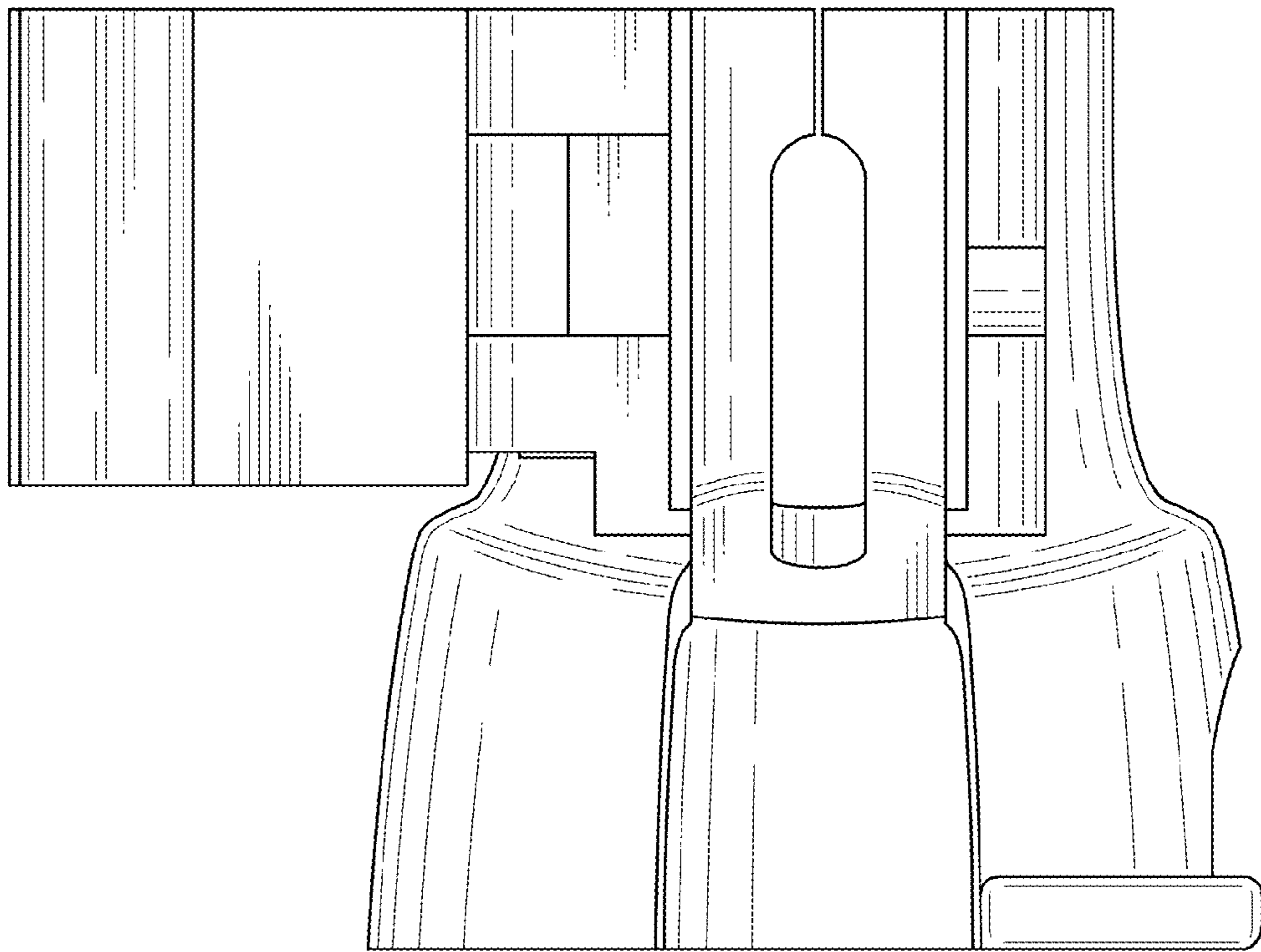


FIG. 11

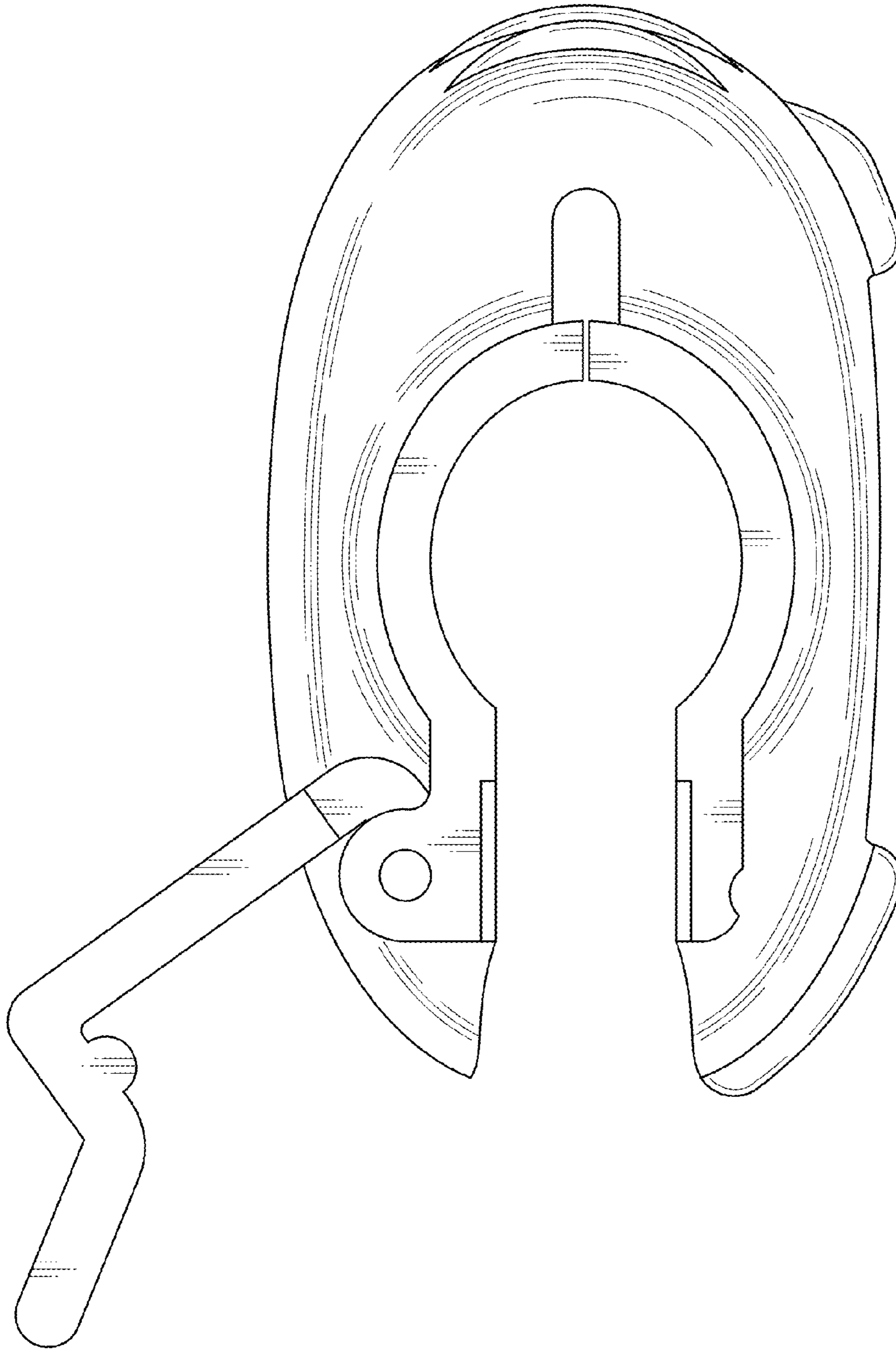


FIG. 12

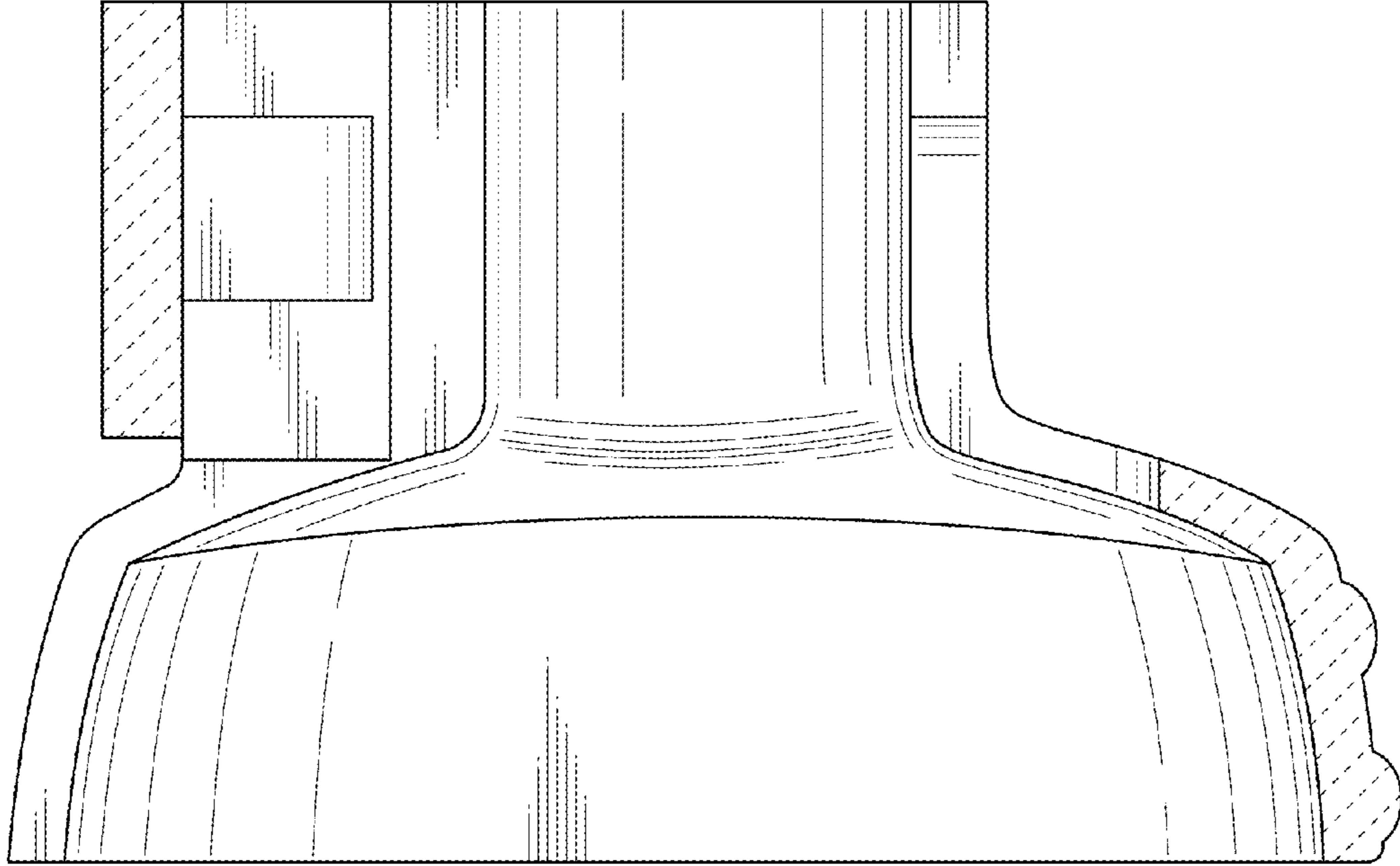


FIG. 13

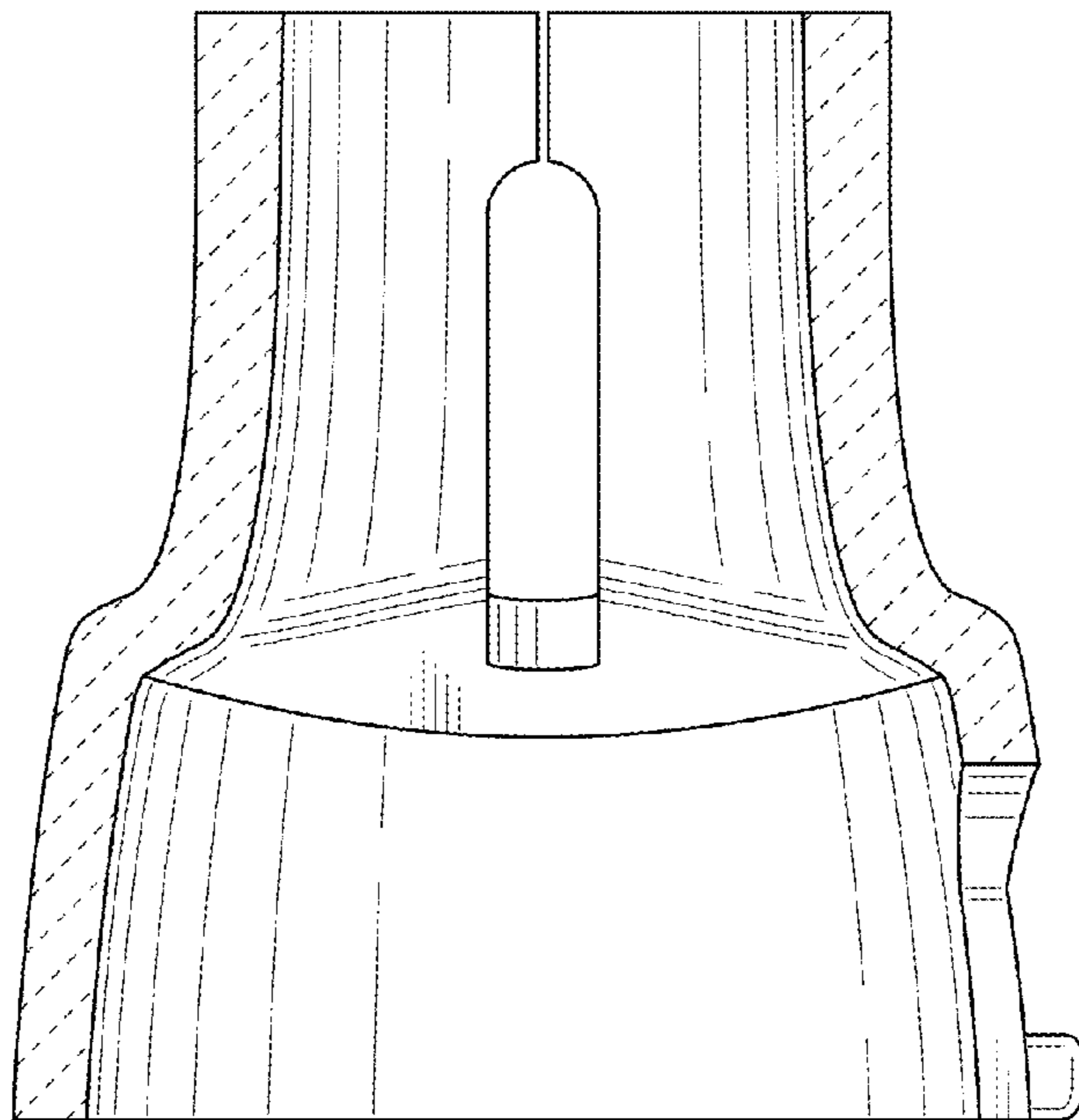


FIG. 14

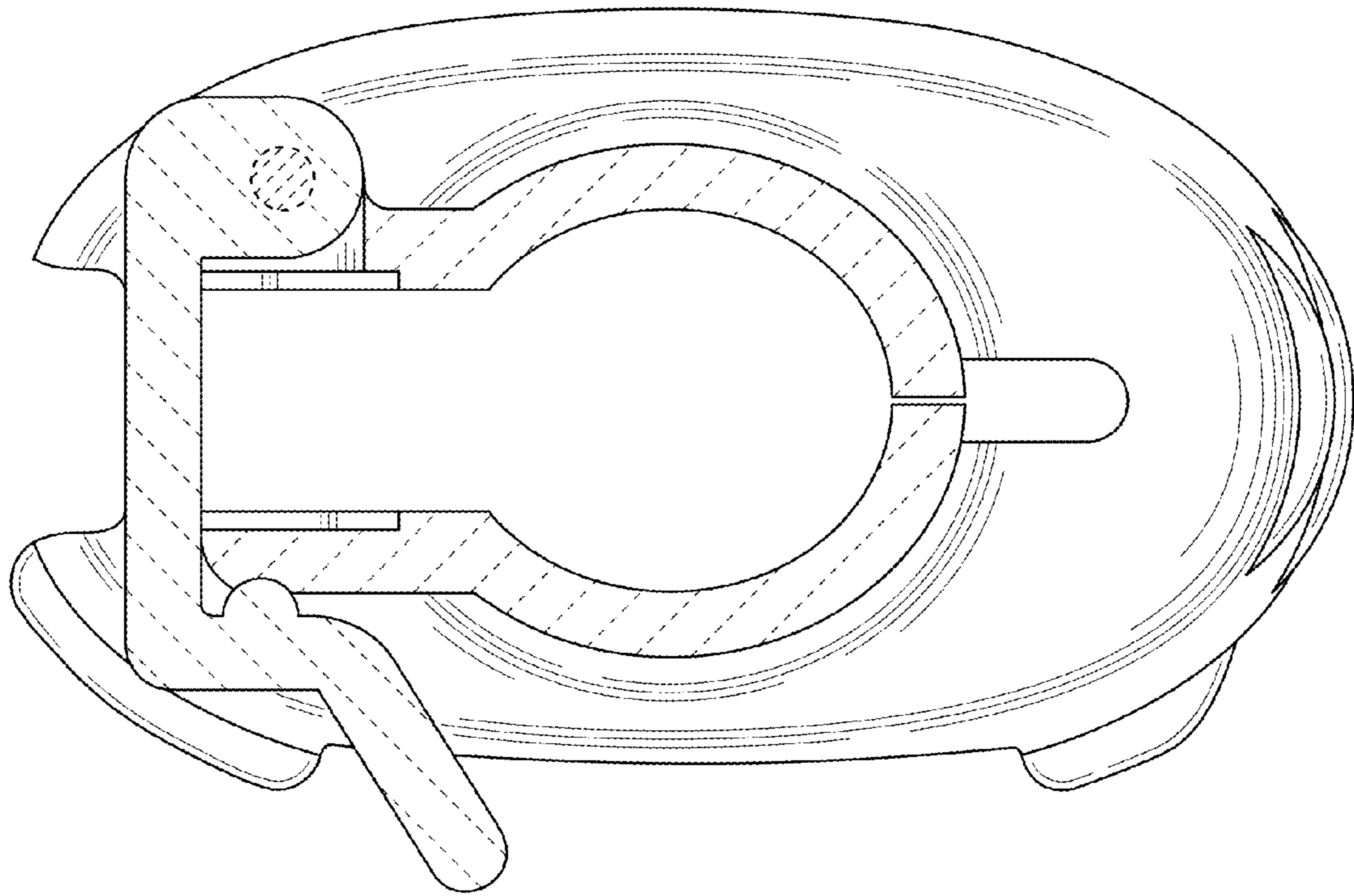


FIG. 15