



US00D704539S

(12) **United States Design Patent**  
**Fujiwara**

(10) **Patent No.:** **US D704,539 S**

(45) **Date of Patent:** **\*\* May 13, 2014**

(54) **FASTENER**

(75) Inventor: **Kensuke Fujiwara**, Toyota (JP)

(73) Assignee: **Nifco Inc.**, Yokohama-shi (JP)

(\*\*) Term: **14 Years**

(21) Appl. No.: **29/421,270**

(22) Filed: **Jun. 22, 2012**

(30) **Foreign Application Priority Data**

Dec. 26, 2011 (JP) ..... 2011-029963

(51) **LOC (10) Cl.** ..... **08-08**

(52) **U.S. Cl.**  
USPC ..... **D8/382**

(58) **Field of Classification Search**  
USPC ..... D8/382, 349, 354, 356, 399; 411/45,  
411/41, 55, 58, 369, 371.1; 41/41, 45, 55;  
24/453, 297

See application file for complete search history.

(56) **References Cited**

**U.S. PATENT DOCUMENTS**

3,944,177 A \* 3/1976 Yoda ..... 248/74.2  
D506,380 S \* 6/2005 Chu ..... D8/349  
D566,534 S \* 4/2008 Okada ..... D8/382

D590,241 S \* 4/2009 Kubo et al. .... D8/382  
7,549,829 B2 \* 6/2009 Okada et al. .... 411/508  
D617,178 S \* 6/2010 Sakai ..... D8/382  
7,770,266 B2 \* 8/2010 Higgins et al. .... 24/297  
D625,587 S \* 10/2010 Obuchi et al. .... D8/382  
D635,451 S \* 4/2011 Sekine ..... D8/382  
D665,245 S \* 8/2012 Nakazato ..... D8/382  
D673,841 S \* 1/2013 Hirano ..... D8/382

\* cited by examiner

*Primary Examiner* — Sheryl Lane

(74) *Attorney, Agent, or Firm* — Manabu Kanesaka

(57) **CLAIM**

The ornamental design for a fastener, as shown and described.

**DESCRIPTION**

FIG. 1 is a perspective view of a fastener showing my new design;  
FIG. 2 is a front view thereof, a rear view being identical to the front view;  
FIG. 3 is a right side view thereof, a left side view being identical to the right side view;  
FIG. 4 is a plan view thereof;  
FIG. 5 is a bottom view thereof;  
FIG. 6 is a cross-sectional view thereof along the line 6-6 in FIG. 2; and,  
FIG. 7 is a cross-sectional view thereof along the line 7-7 in FIG. 3.

**1 Claim, 3 Drawing Sheets**

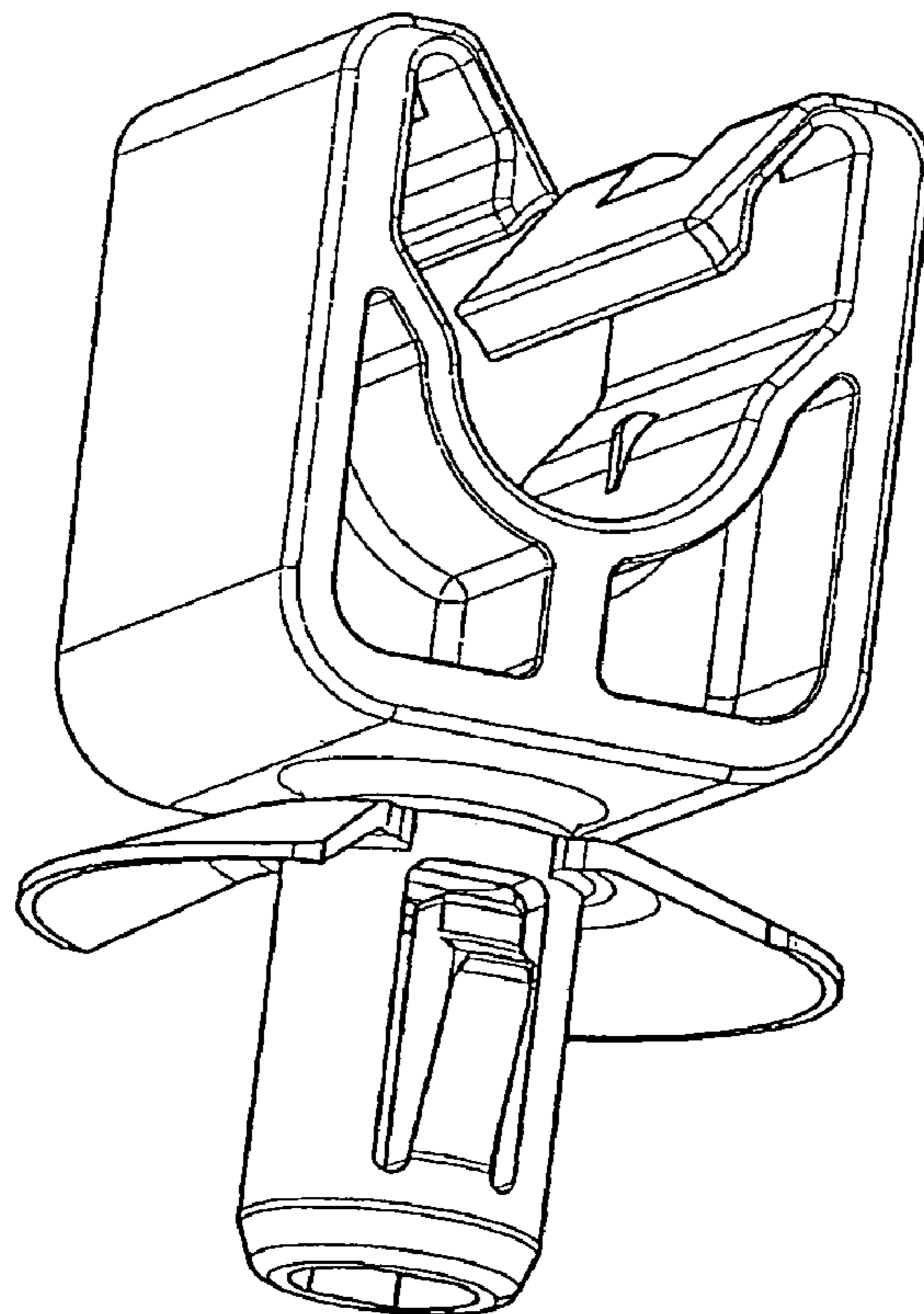


FIG. 1

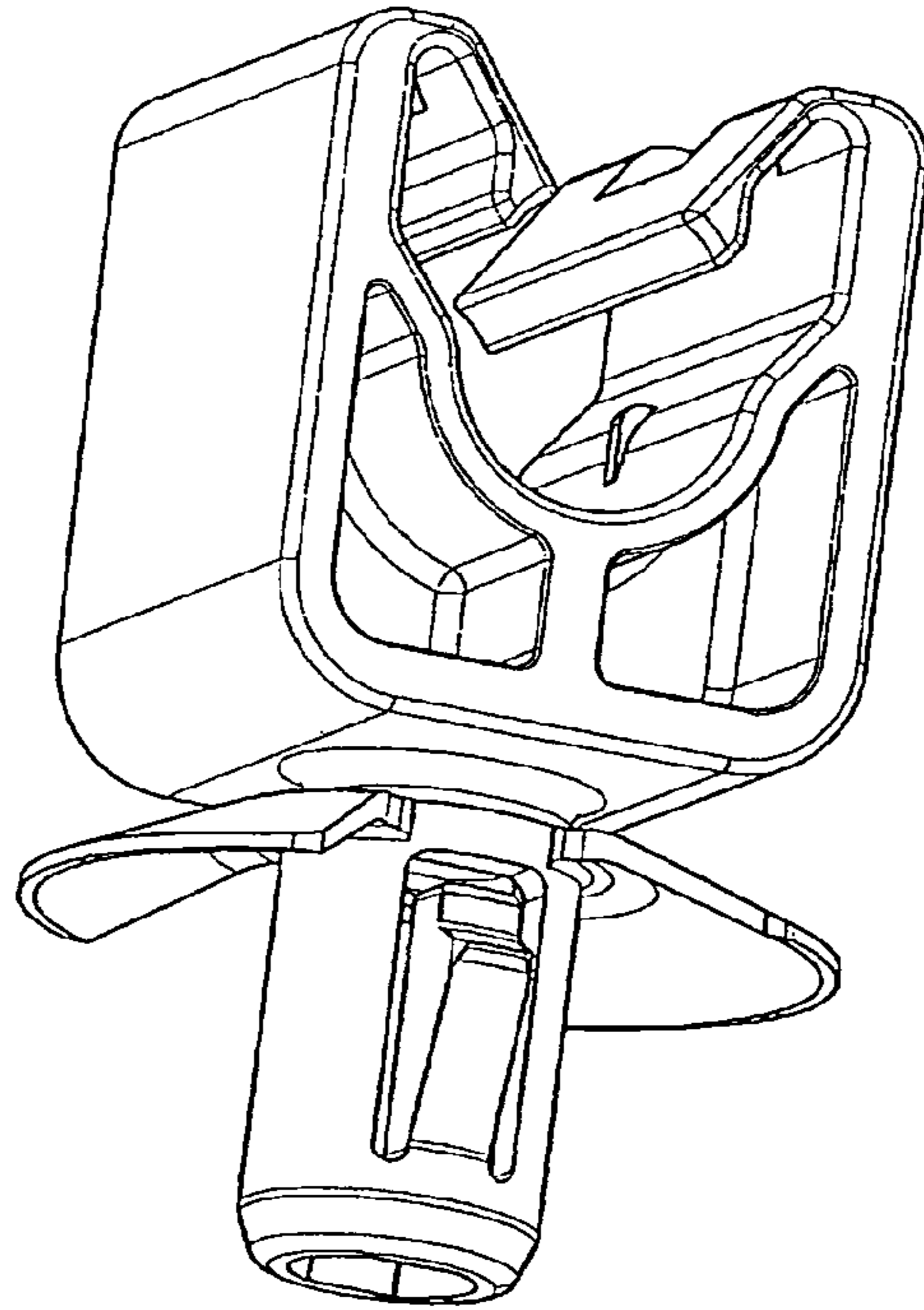


FIG. 2

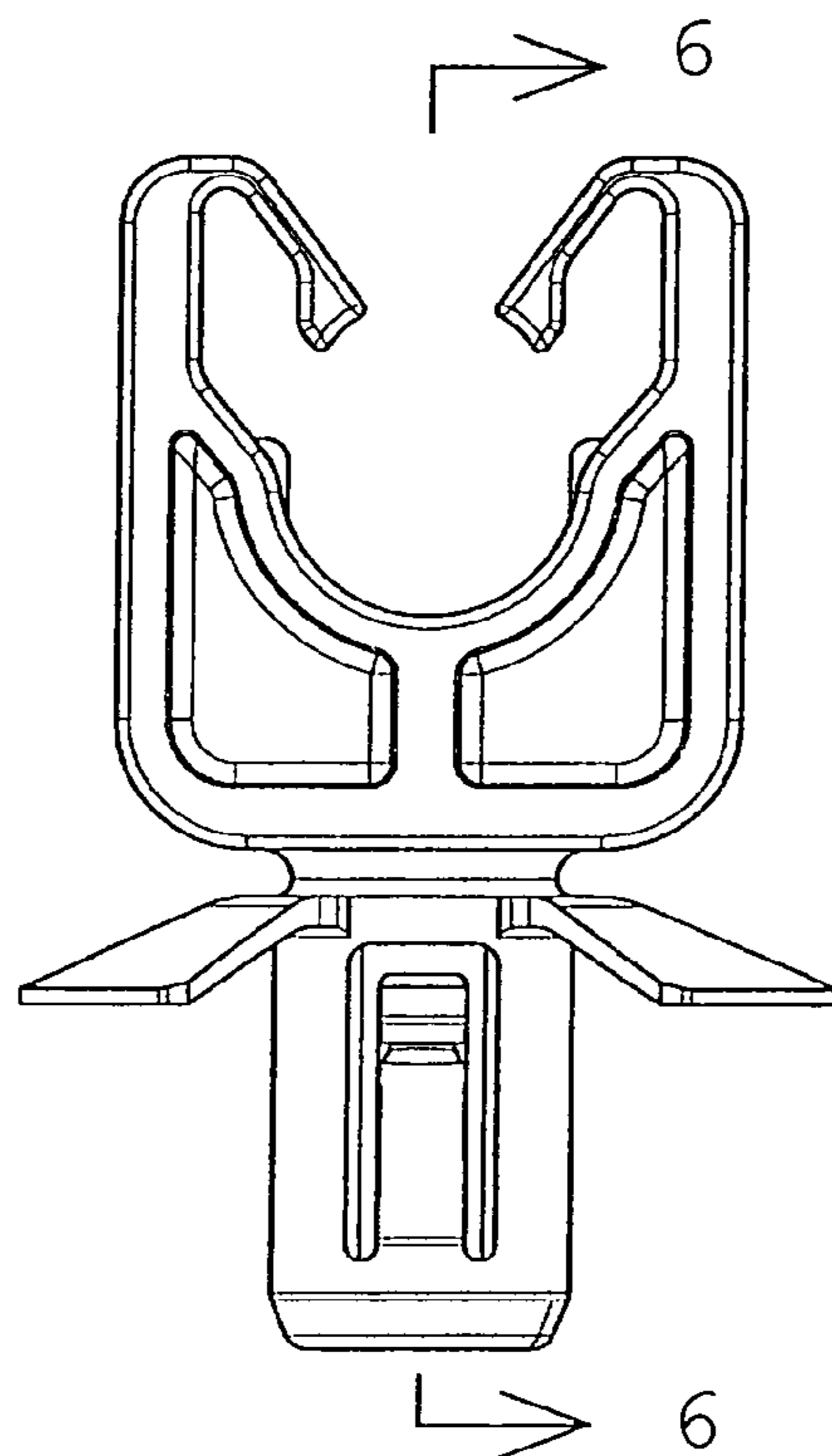


FIG. 3

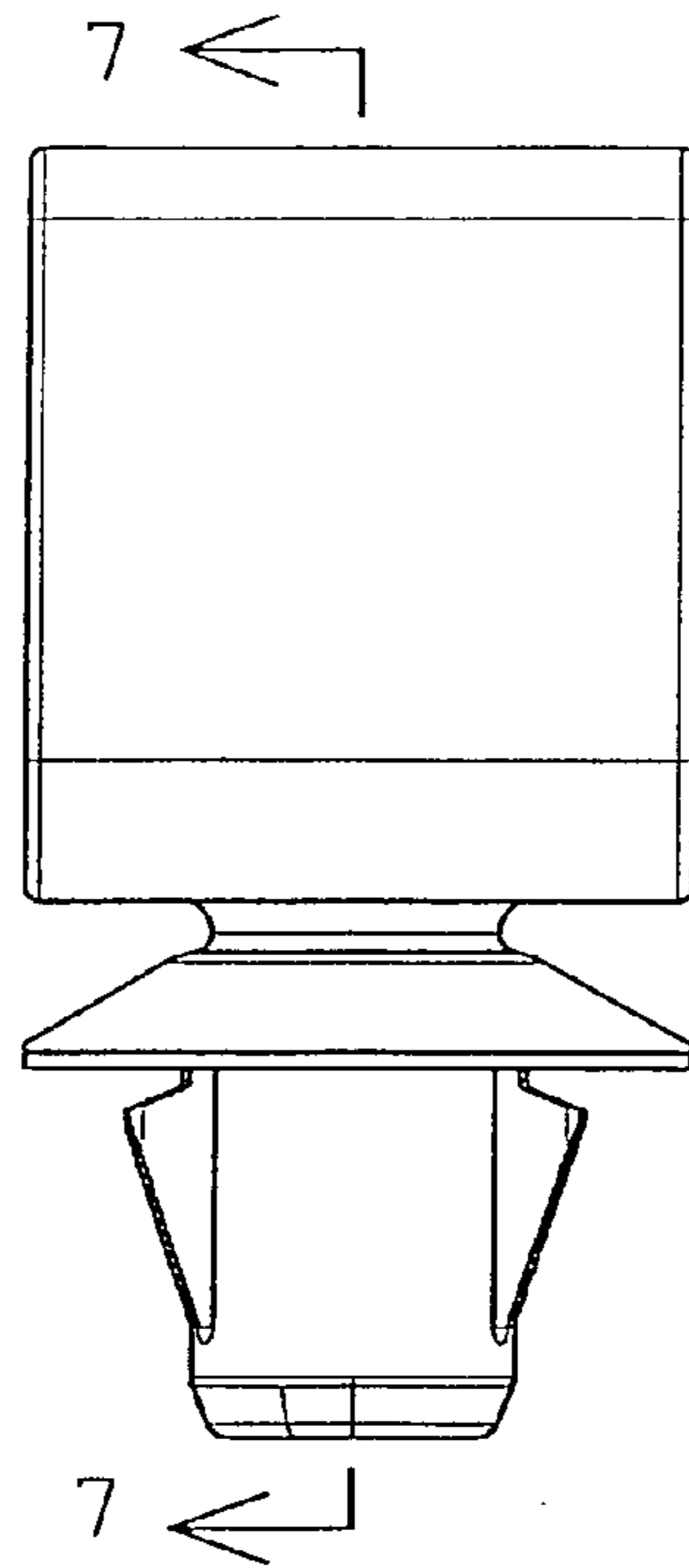


FIG. 4

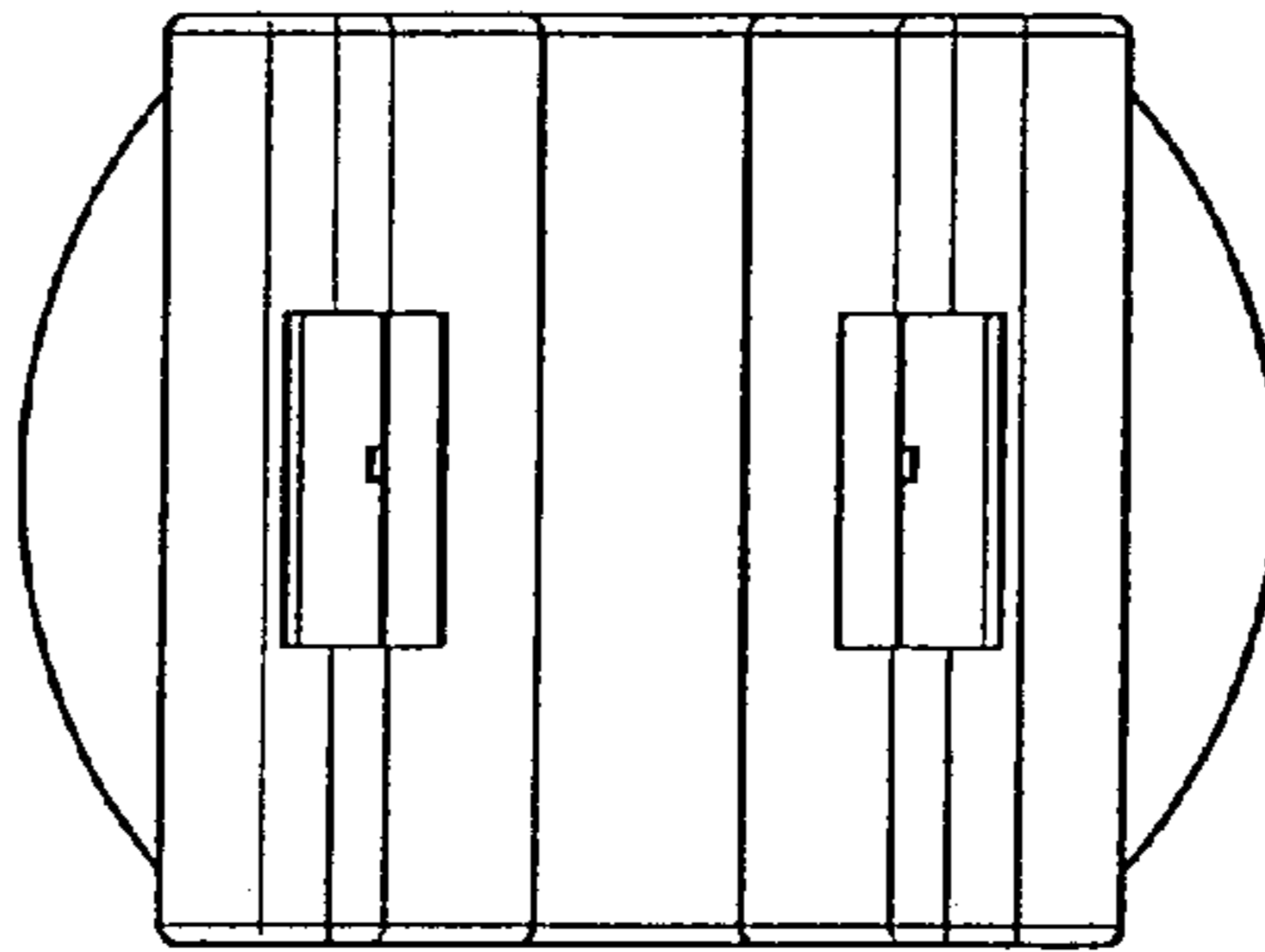


FIG. 5

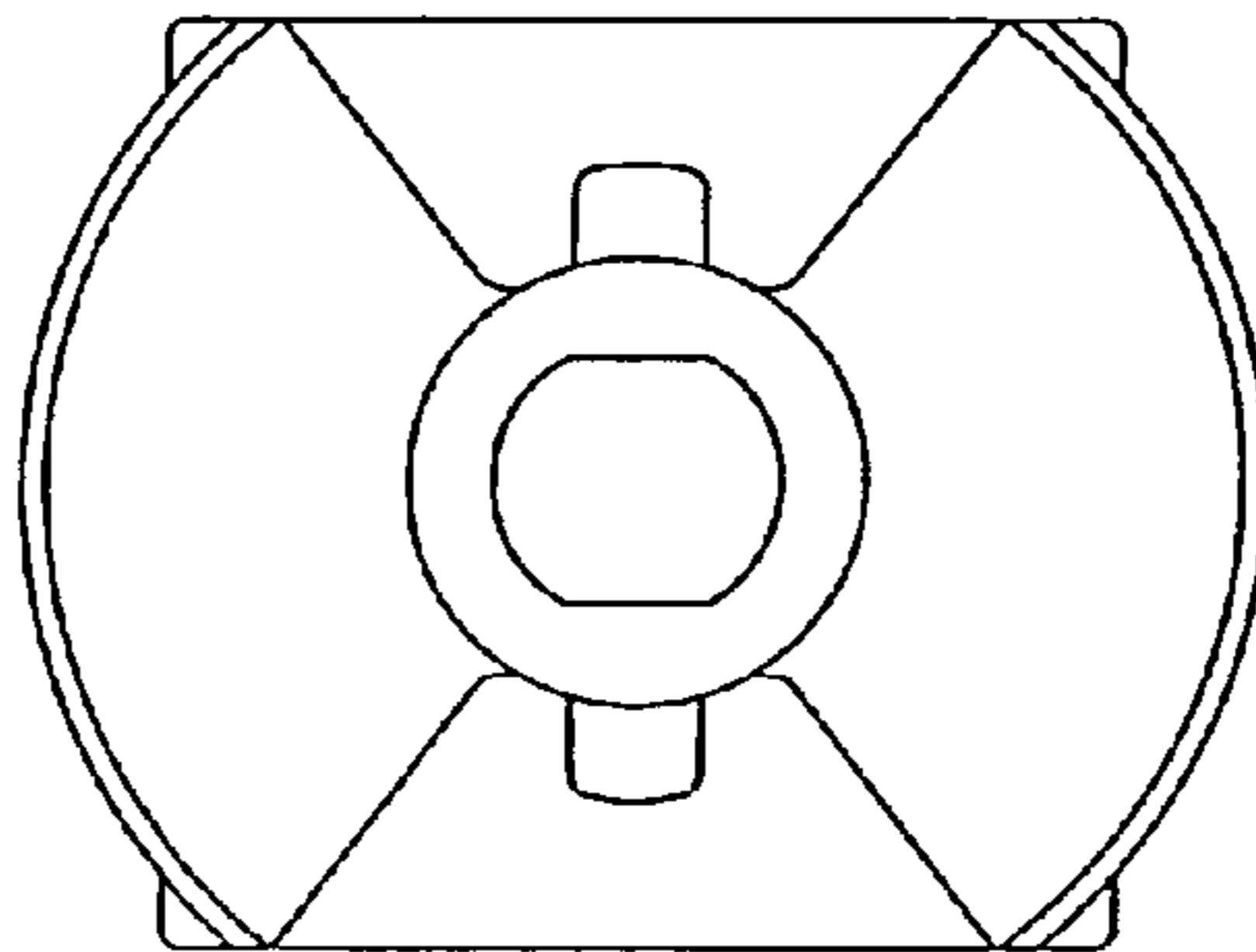


FIG. 6

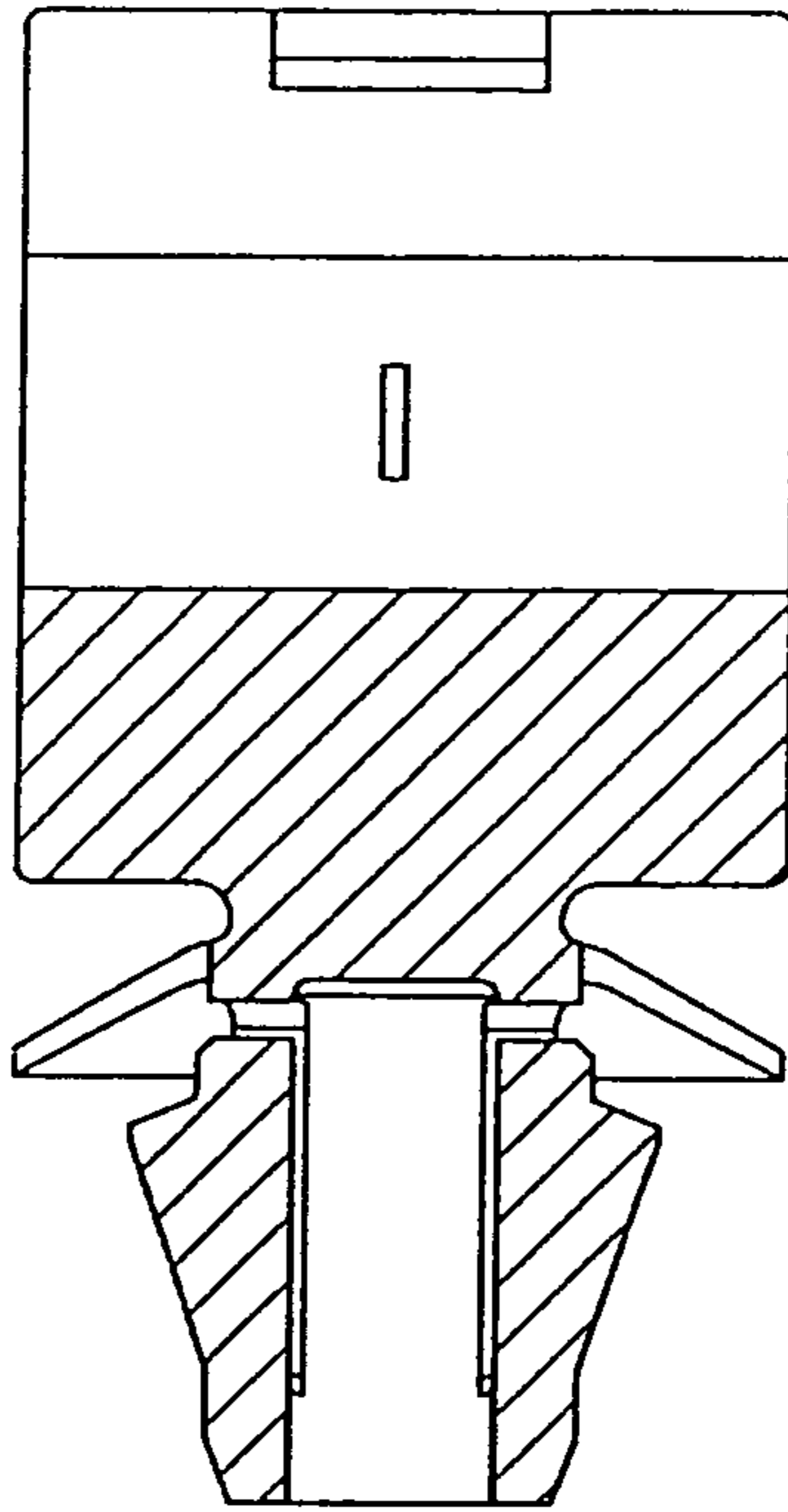


FIG. 7

