



US00D704538S

(12) **United States Design Patent**
Fujiwara

(10) **Patent No.:** **US D704,538 S**

(45) **Date of Patent:** **** May 13, 2014**

(54) **FASTENER**

(75) Inventor: **Kensuke Fujiwara**, Toyota (JP)

(73) Assignee: **NIFCO Inc.**, Yokohama-shi (JP)

(**) Term: **14 Years**

(21) Appl. No.: **29/421,266**

(22) Filed: **Jun. 22, 2012**

(30) **Foreign Application Priority Data**

Dec. 26, 2011 (JP) 2011-029964

(51) **LOC (10) Cl.** **08-08**

(52) **U.S. Cl.**
USPC **D8/382**

(58) **Field of Classification Search**
USPC D8/382, 349, 354, 356, 399; 411/45,
411/41, 55, 58, 369, 371.1; 41/41, 45, 55;
24/453, 297
See application file for complete search history.

(56) **References Cited**

U.S. PATENT DOCUMENTS

3,944,177	A *	3/1976	Yoda	248/74.2
D506,380	S *	6/2005	Chu	D8/349
D566,534	S *	4/2008	Okada	D8/382
D590,241	S *	4/2009	Kubo et al.	D8/382
7,549,829	B2 *	6/2009	Okada et al.	411/508
D617,178	S *	6/2010	Sakai	D8/382
7,770,266	B2 *	8/2010	Higgins et al.	24/297

D625,587	S *	10/2010	Obuchi et al.	D8/382
D635,451	S *	4/2011	Sekine	D8/382
D665,245	S *	8/2012	Nakazato	D8/382
D673,841	S *	1/2013	Hirano	D8/382

* cited by examiner

Primary Examiner — Sheryl Lane

(74) *Attorney, Agent, or Firm* — Manabu Kanesaka

(57) **CLAIM**

The ornamental design for a fastener, as shown and described.

DESCRIPTION

FIG. 1 is a perspective view of a fastener showing my new design;
 FIG. 2 is a front view thereof, a rear view being identical to the front view;
 FIG. 3 is a right side view thereof, a left side view being identical to the right side view;
 FIG. 4 is a plan view thereof;
 FIG. 5 is a bottom view thereof;
 FIG. 6 is a cross-sectional view thereof along the line 6-6 in FIG. 2;
 FIG. 7 is a cross-sectional view thereof along the line 7-7 in FIG. 2; and,
 FIG. 8 is a cross-sectional view thereof along the line 8-8 in FIG. 3.
 The broken lines depict portions of the fastener that form no part of claimed design.

1 Claim, 4 Drawing Sheets

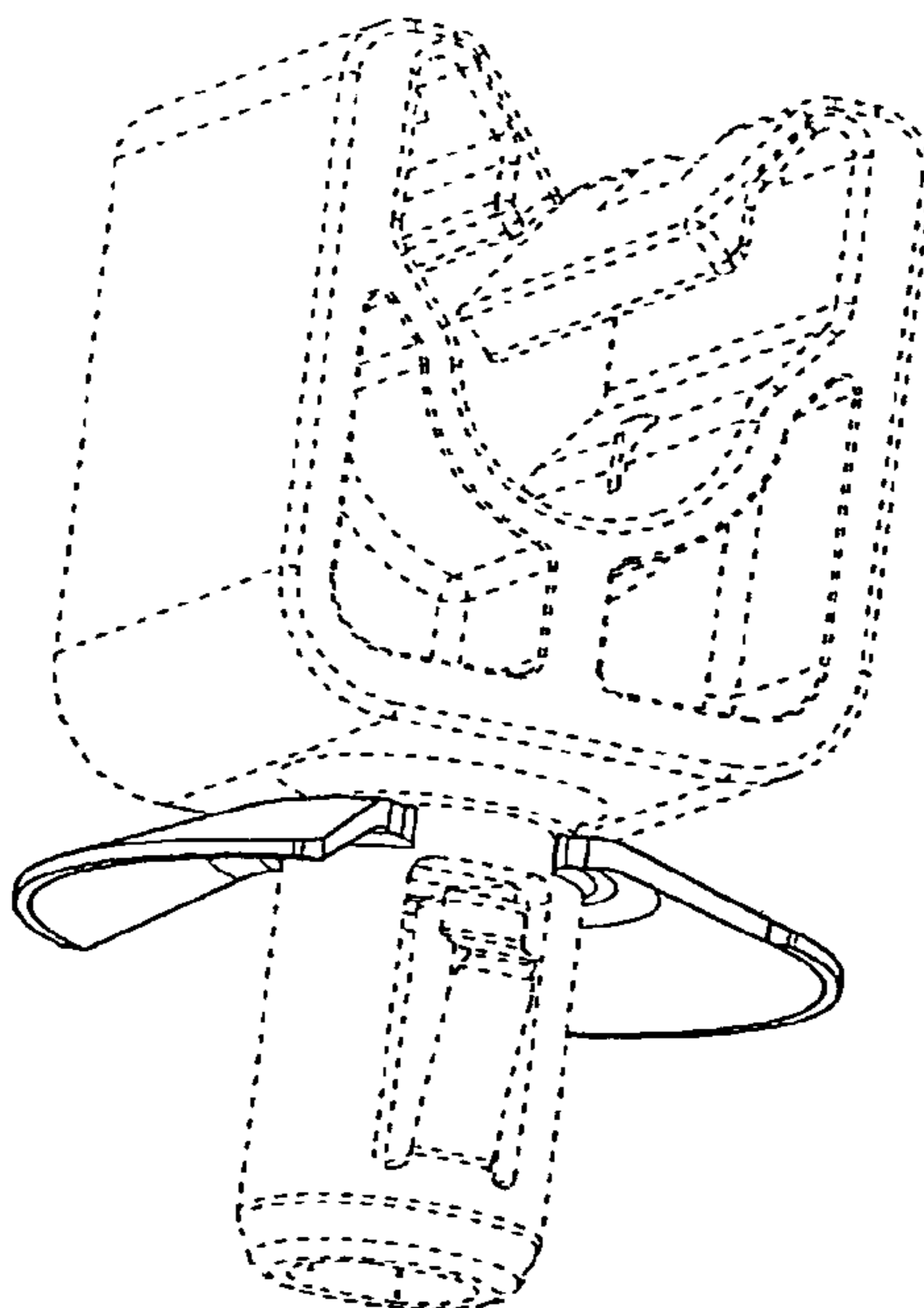


FIG. 1

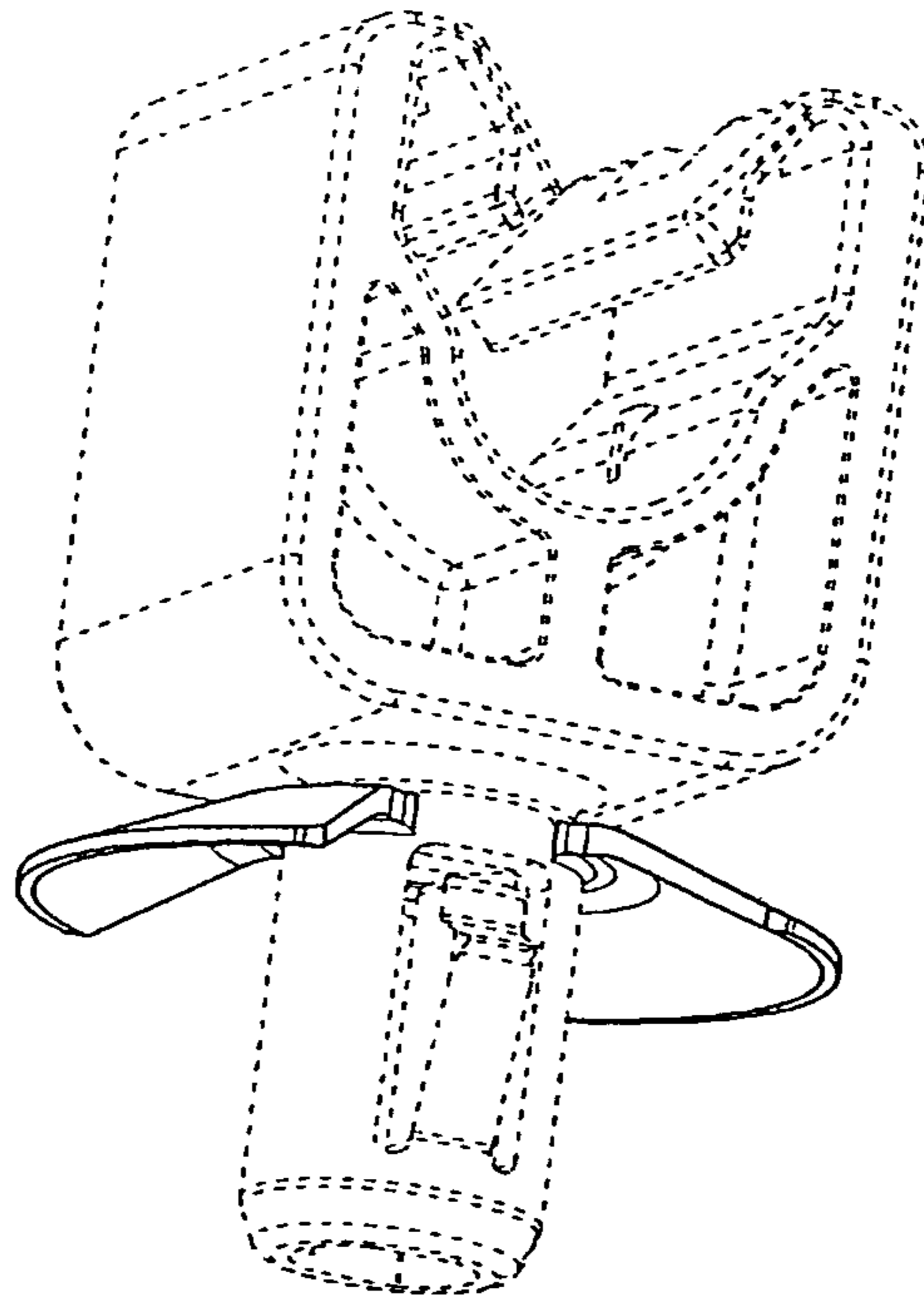


FIG. 2

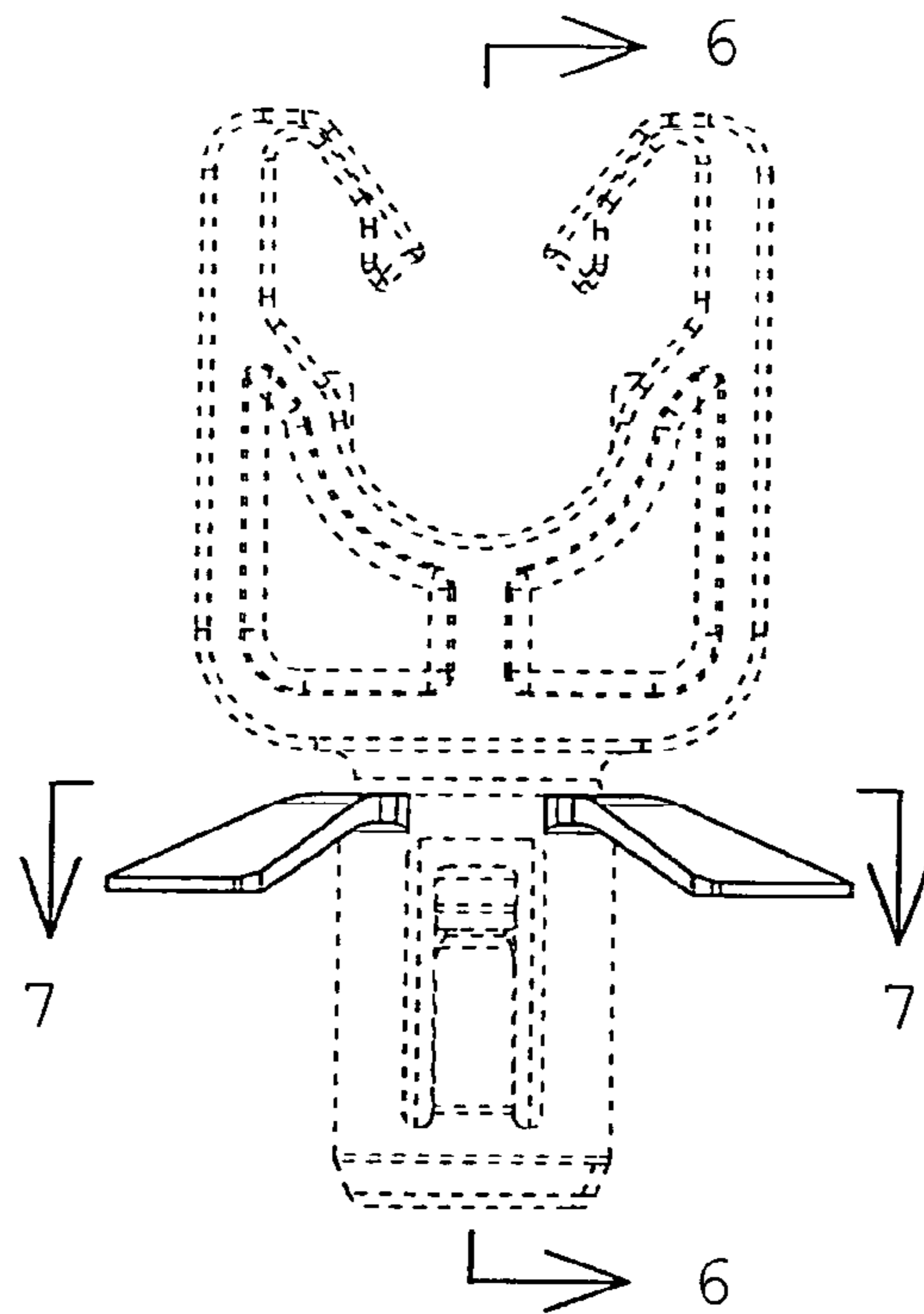


FIG. 3

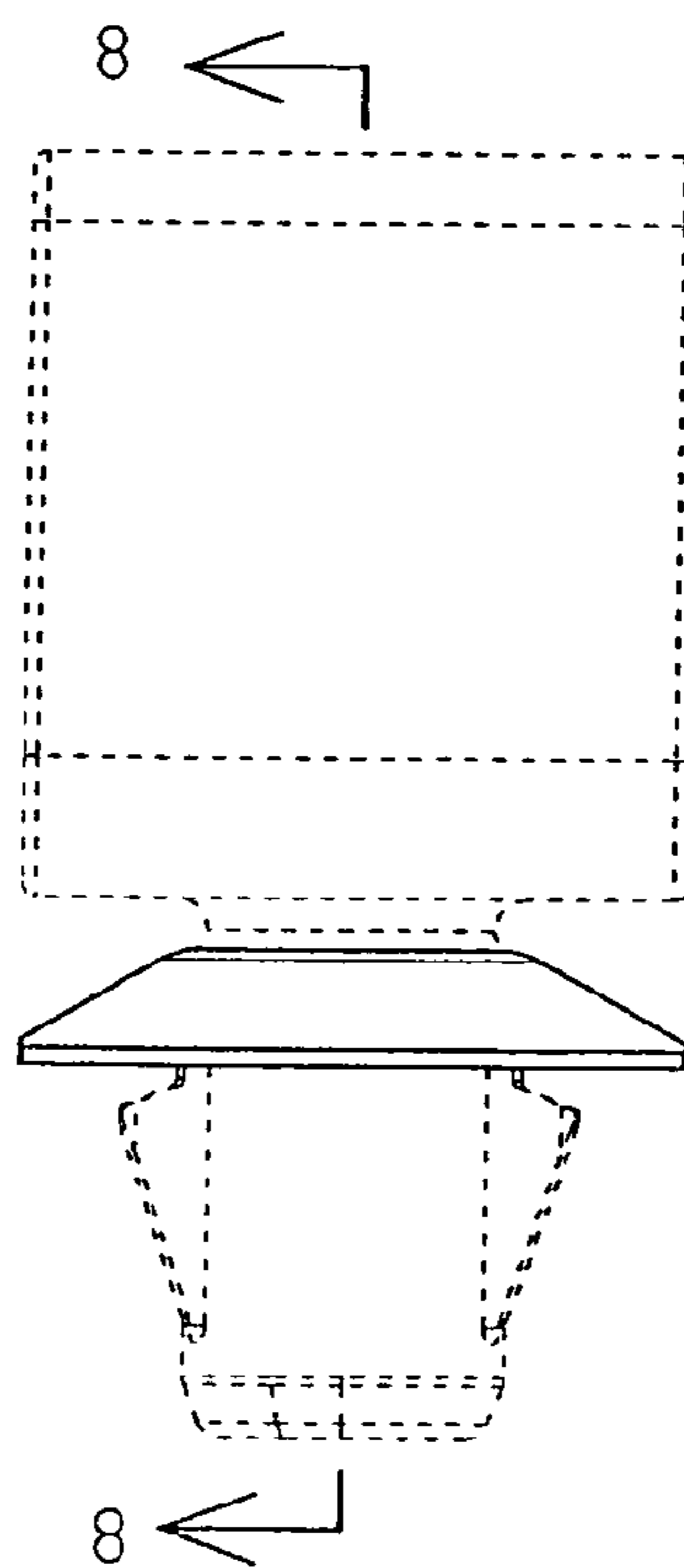


FIG. 4

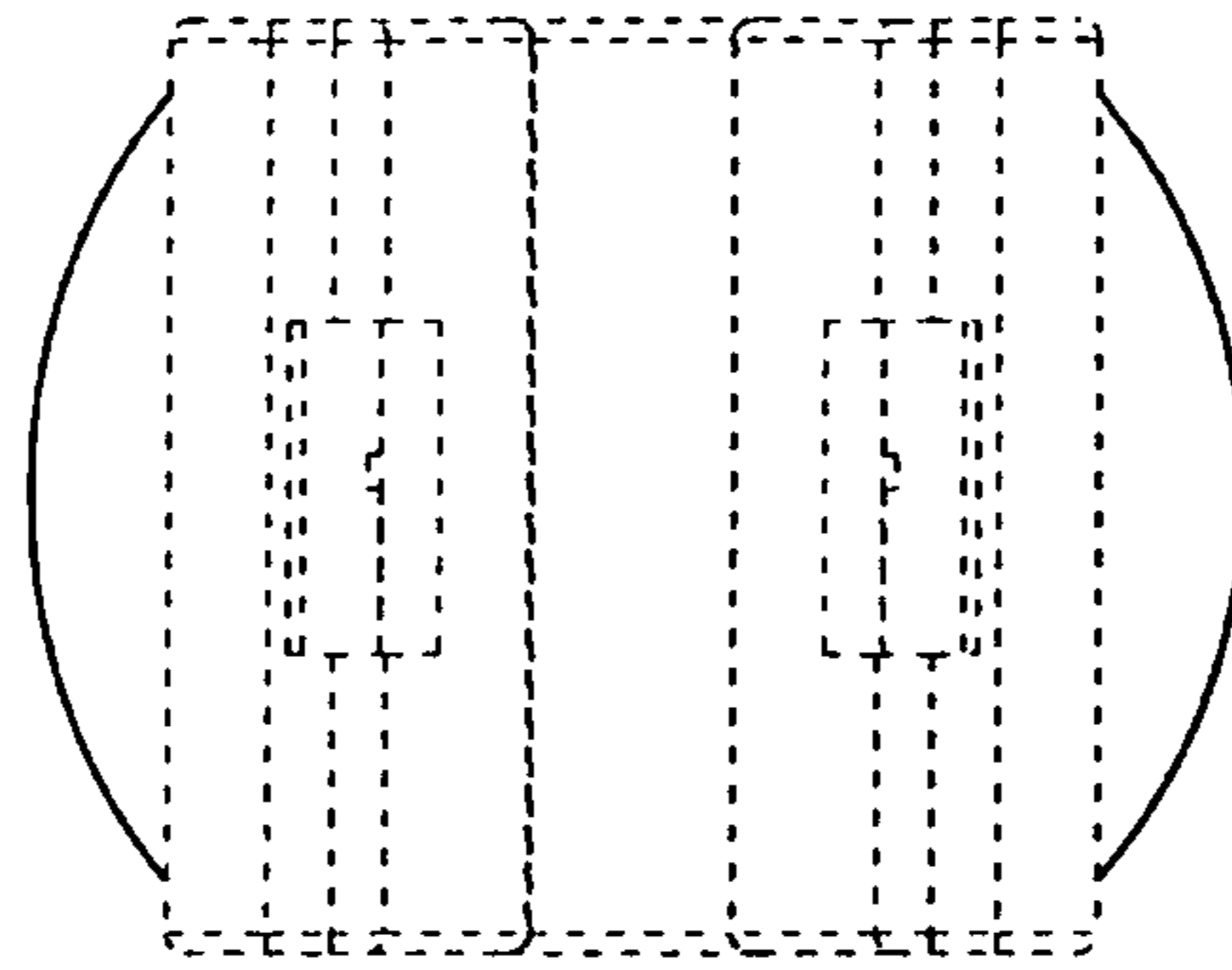


FIG. 5

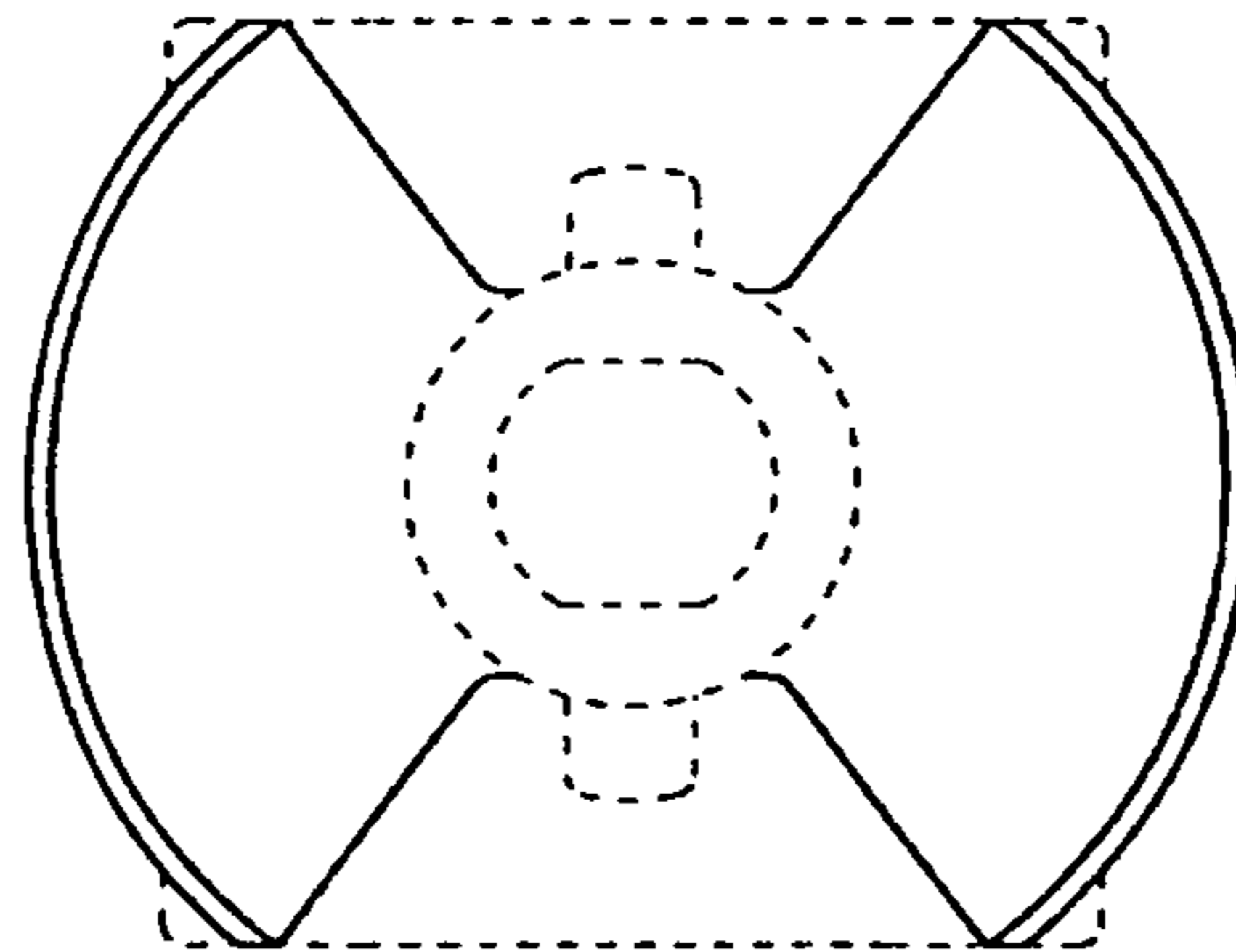


FIG. 6

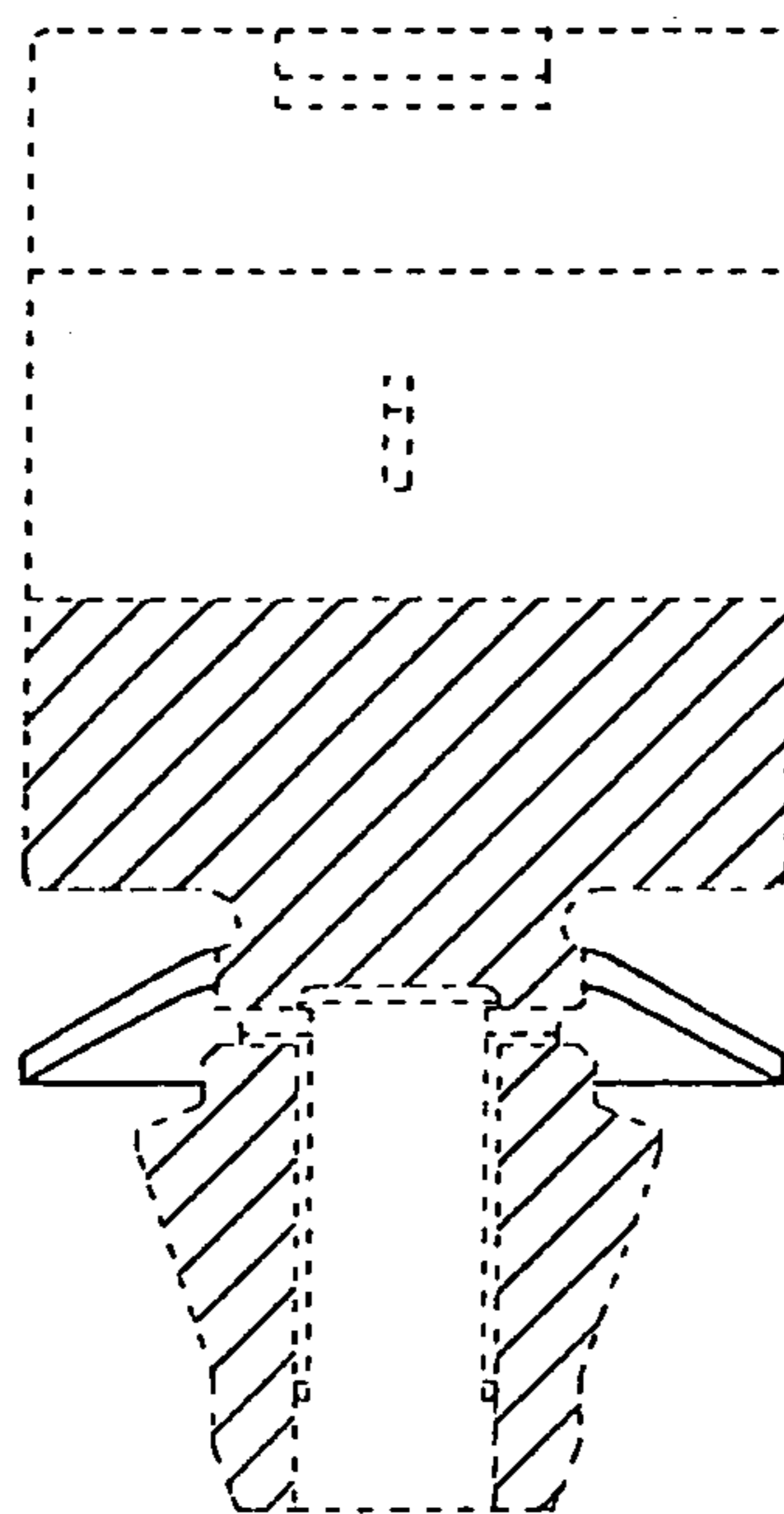


FIG. 7

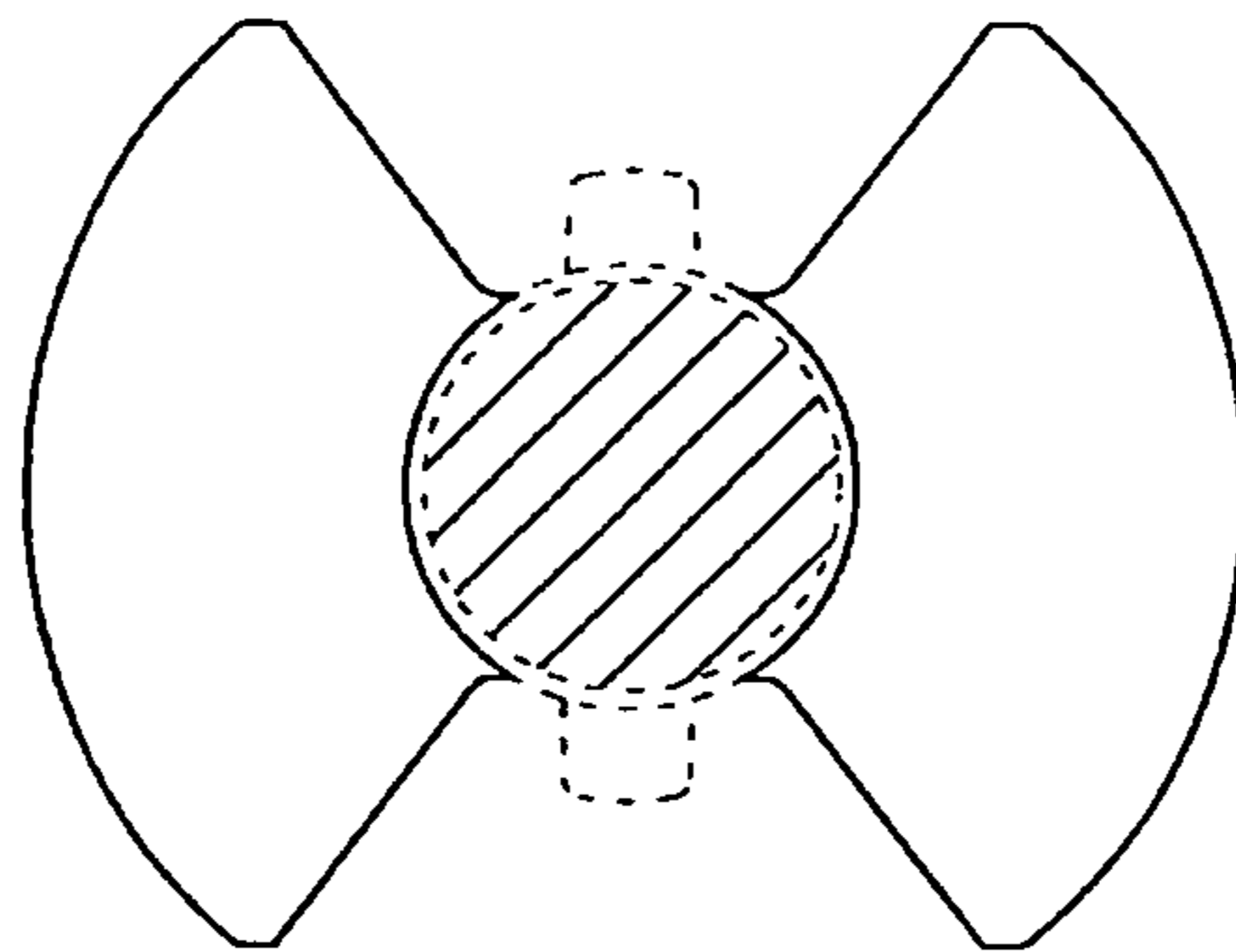


FIG. 8

