



US00D704532S

(12) **United States Design Patent**  
**Stevens et al.**

(10) **Patent No.:** **US D704,532 S**

(45) **Date of Patent:** **\*\* \*May 13, 2014**

(54) **LOCK**

OTHER PUBLICATIONS

(71) Applicant: **Master Lock Company LLC**, Oak Creek, WI (US)

Website printout from <http://wordlock.com/padlocks/>; 12 pages (2011).

(72) Inventors: **Scott B. Stevens**, St. Francis, WI (US);  
**Douglas Lacina**, Franklin, WI (US);  
**Ray Wojtak**, Waterford, WI (US)

(Continued)

(73) Assignee: **Master Lock Company LLC**, Oak Creek, WI (US)

*Primary Examiner* — Prabhakar Deshmukh  
(74) *Attorney, Agent, or Firm* — Calfee, Halter & Griswold LLP

(\*) Notice: This patent is subject to a terminal disclaimer.

(57) **CLAIM**  
We claim the ornamental design for a lock, as shown and described.

(\*\*) Term: **14 Years**

(21) Appl. No.: **29/444,196**

**DESCRIPTION**

(22) Filed: **Jan. 28, 2013**

**Related U.S. Application Data**

(62) Division of application No. 29/407,004, filed on Nov. 22, 2011, now Pat. No. Des. 679,168.

(51) **LOC (10) Cl.** ..... **08-07**

(52) **U.S. Cl.**  
USPC ..... **D8/334; D8/343**

(58) **Field of Classification Search**  
USPC ..... D8/330, 331, 334, 333, 335, 339, 343;  
70/20, 24-29, 31, 35, 38 R, 40-48, 14,  
70/DIG. 3, DIG. 4; D10/30, 31, 38, 39  
See application file for complete search history.

FIG. 1 is a front perspective view of a lock showing the new design;  
FIG. 2 is a top view of the lock of FIG. 1;  
FIG. 3 is a front view of the lock of FIG. 1;  
FIG. 4 is a rear view of the lock of FIG. 1;  
FIG. 5 is a bottom view of the lock of FIG. 1;  
FIG. 6 is a right side view of the lock of FIG. 1;  
FIG. 7 is a left side view of the lock of FIG. 1.  
FIG. 8 is a front perspective view of a lock showing the new design;  
FIG. 9 is a top view of the lock of FIG. 8;  
FIG. 10 is a front view of the lock of FIG. 8;  
FIG. 11 is a rear view of the lock of FIG. 8;  
FIG. 12 is a bottom view of the lock of FIG. 8;  
FIG. 13 is a right side view of the lock of FIG. 8; and,  
FIG. 14 is a left side view of the lock of FIG. 8.  
The portions of the Figures shown in broken lines are for illustrative purpose only and form no part of the claimed design.

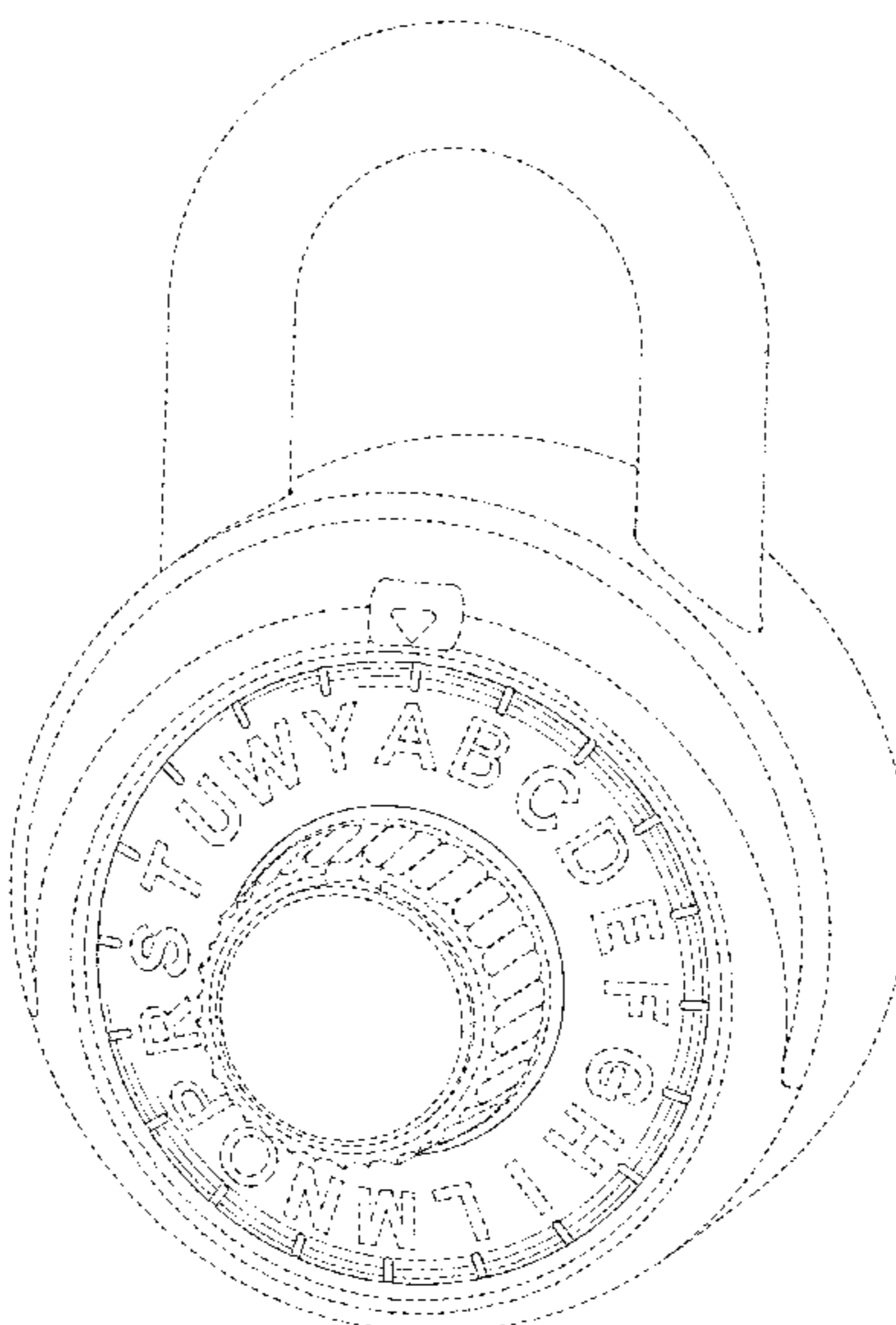
(56) **References Cited**

U.S. PATENT DOCUMENTS

D24,689 S 9/1895 Jacot  
1,062,804 A 5/1912 Spaney et al.

(Continued)

**1 Claim, 8 Drawing Sheets**



(56)

References Cited

U.S. PATENT DOCUMENTS

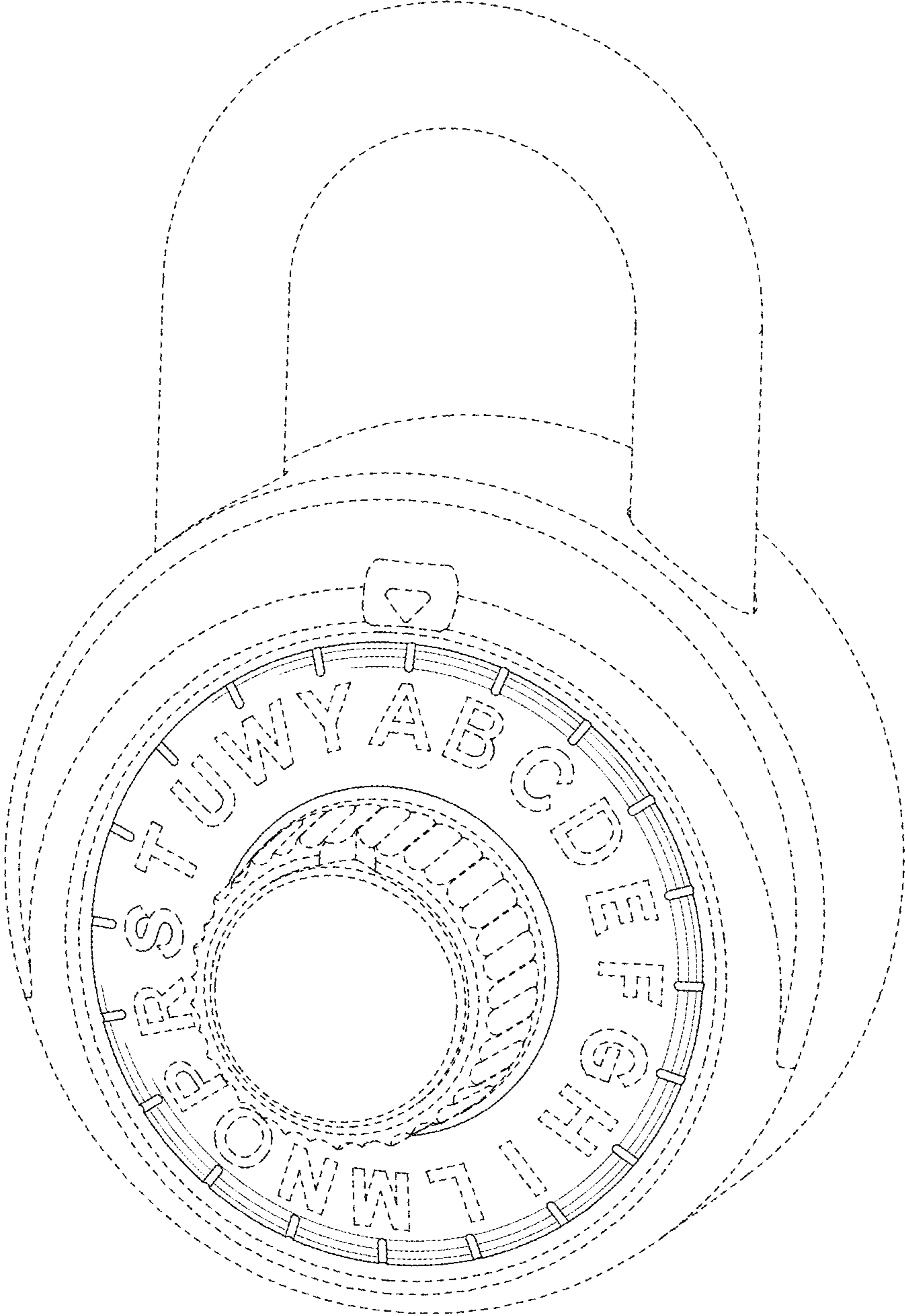
D95,463 S 4/1935 Soref et al.  
 2,378,768 A 6/1945 Heyer  
 D151,634 S 11/1948 Hanna  
 2,931,204 A 4/1960 Check  
 D196,374 S \* 9/1963 Dolly ..... D10/126  
 4,055,972 A 11/1977 Calegan  
 4,253,178 A 2/1981 Kolaczia  
 4,422,311 A 12/1983 Zabel et al.  
 4,462,231 A 7/1984 Zabel  
 D276,408 S 11/1984 Zabel et al.  
 D297,817 S \* 9/1988 Guan ..... D10/30  
 4,807,475 A 2/1989 Graham  
 D354,926 S 1/1995 Schopfer  
 D361,528 S \* 8/1995 Hayashi et al. .... D10/39  
 5,618,028 A 4/1997 Hepworth  
 D380,391 S \* 7/1997 Osit ..... D10/30  
 D418,392 S 1/2000 Kelley  
 D430,496 S \* 9/2000 Hartzband ..... D10/32  
 D434,672 S 12/2000 Beriliat  
 D445,343 S \* 7/2001 Schneider ..... D10/30  
 D459,971 S 7/2002 Quan et al.  
 D473,446 S 4/2003 Quan et al.

6,556,513 B2 4/2003 Wimberly  
 6,689,964 B2 \* 2/2004 Petrucelli ..... 177/177  
 D490,722 S \* 6/2004 Weismann et al. .... D10/39  
 6,871,997 B2 3/2005 Hartmann et al.  
 D507,474 S 7/2005 Welch  
 7,367,683 B2 \* 5/2008 Marcelle et al. .... 362/100  
 D582,293 S 12/2008 Fasciano  
 D606,494 S 12/2009 Holliday  
 8,018,727 B2 \* 9/2011 Westberg et al. .... 361/742  
 D646,953 S 10/2011 Schmidt et al.  
 D662,394 S 6/2012 Schmidt et al.  
 8,322,916 B2 \* 12/2012 Patt ..... 368/281

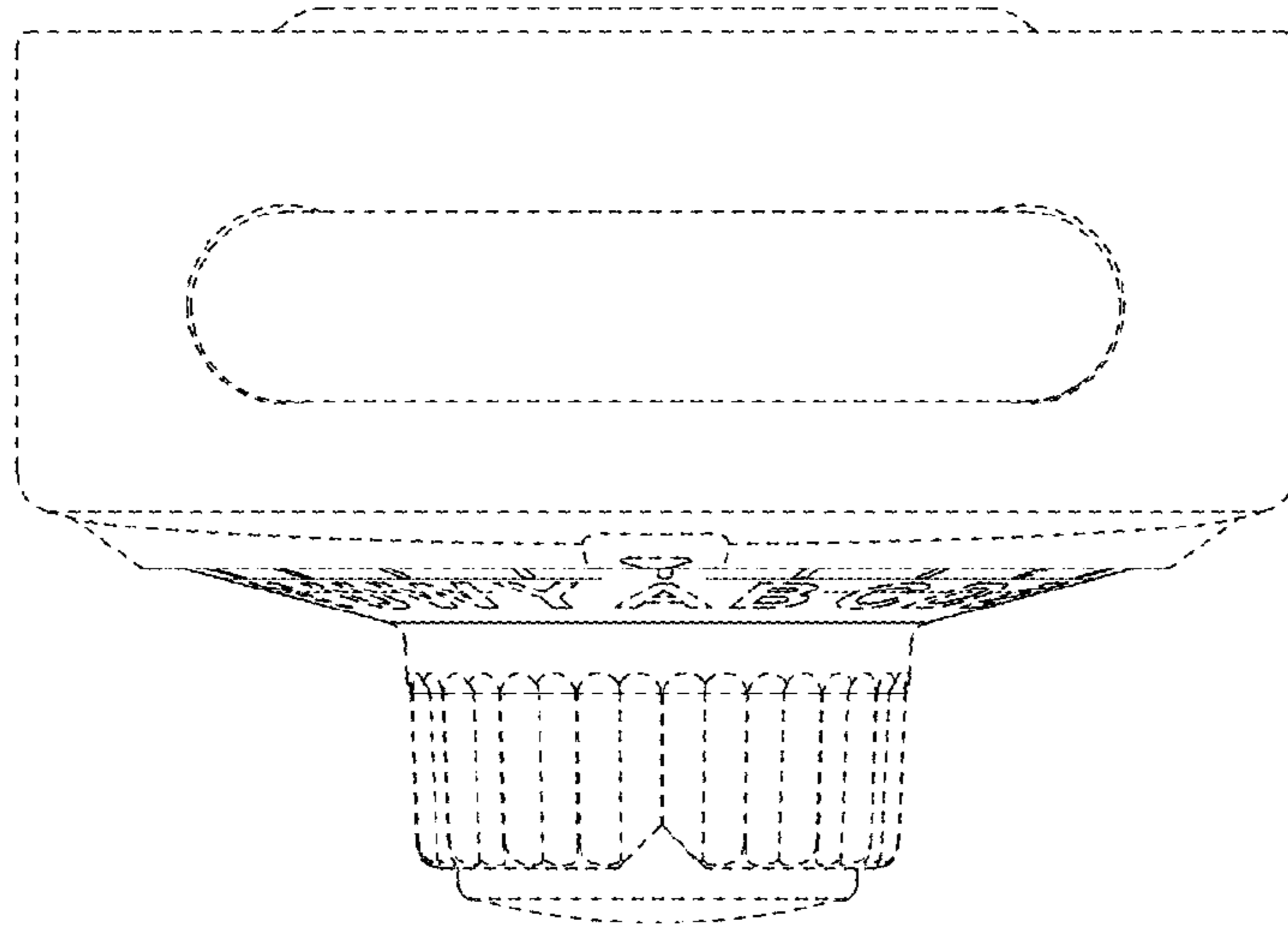
OTHER PUBLICATIONS

Master Lock, Black Dial No. 1502: Printout of Product Features; printed from website Mar. 9, 2012; 2 pages.  
 Master Lock, Combination Padlocks—No. 1525; Printout of Product Features; printed from website Mar. 9, 2012, 2 pages.  
 Dudley-School Series-DYRP300; printed from website Mar. 9, 2012, 1 page.  
 Dudley-DYMK300 and DYMK800MK Key Control Series; printed from website Mar. 9, 2012, 2 pages.

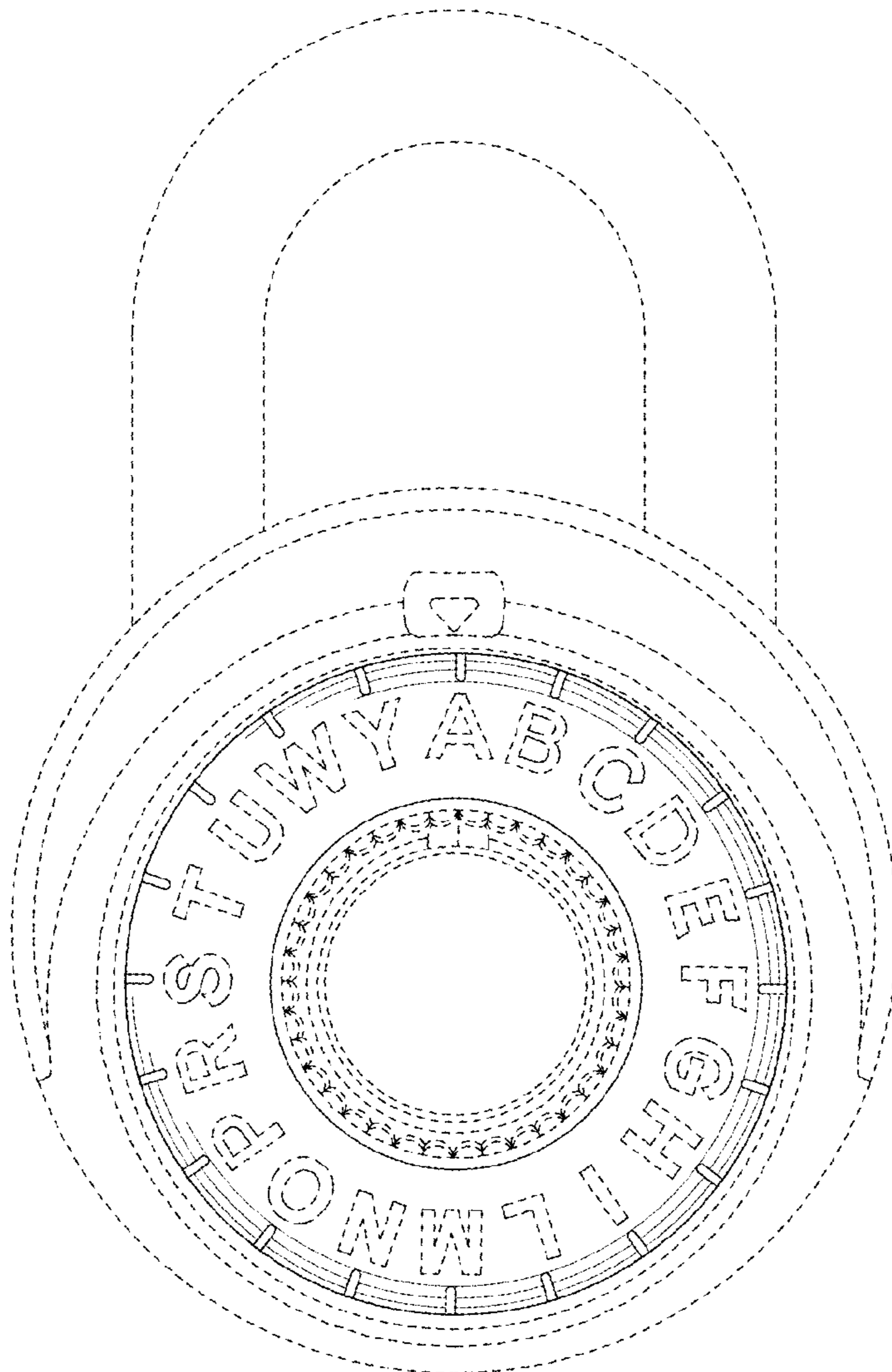
\* cited by examiner



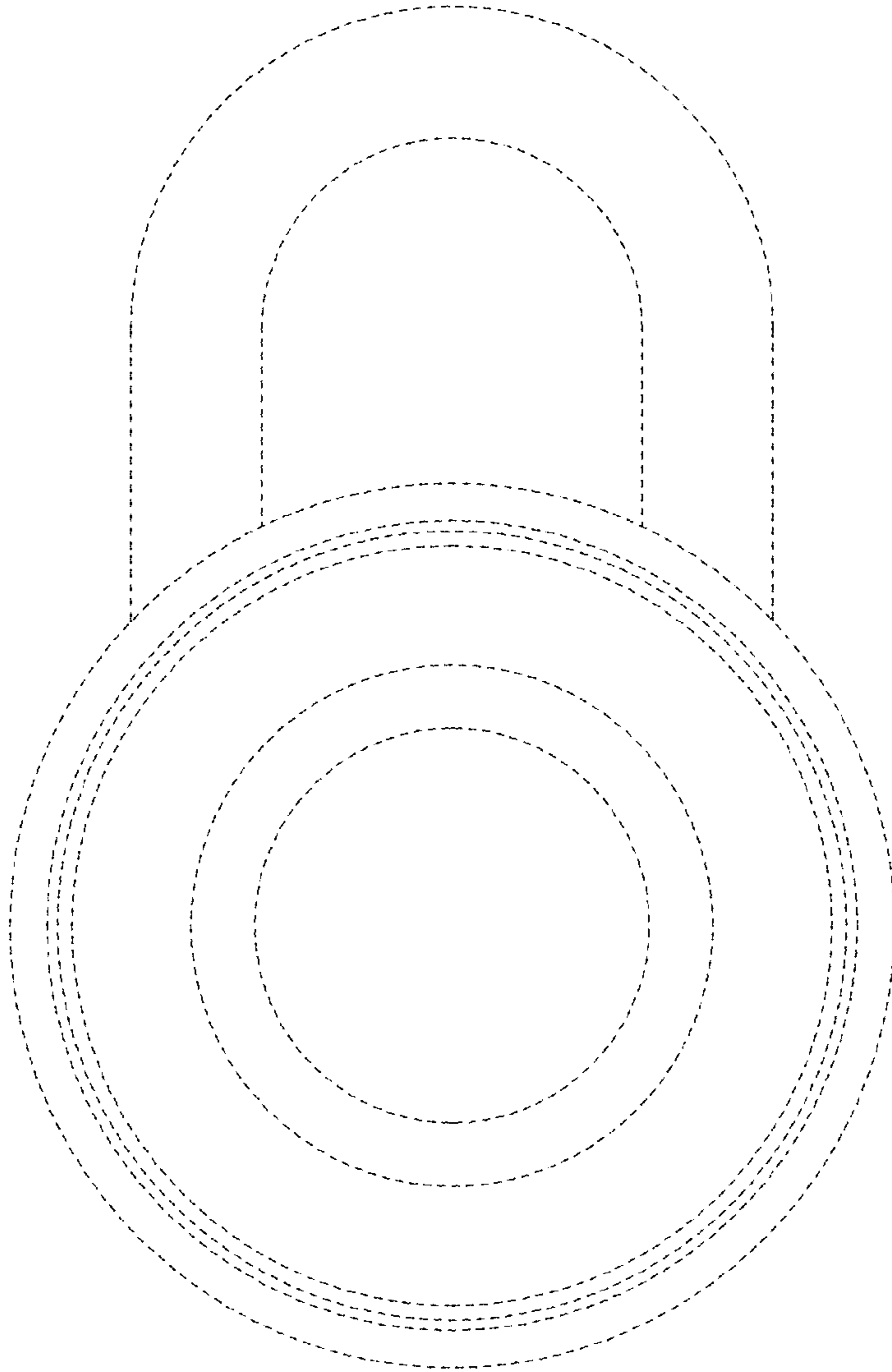
**FIG. 1**



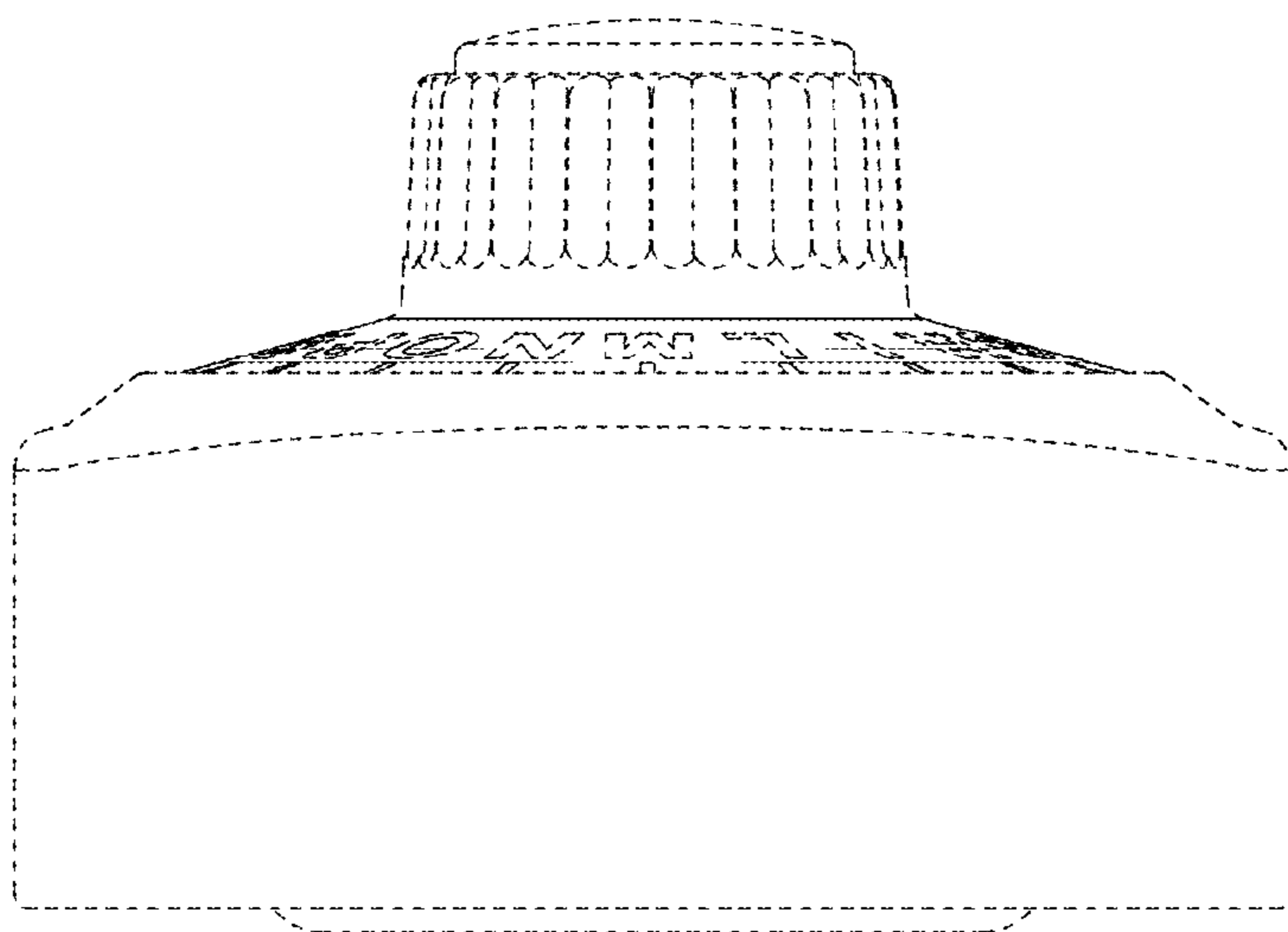
**FIG. 2**



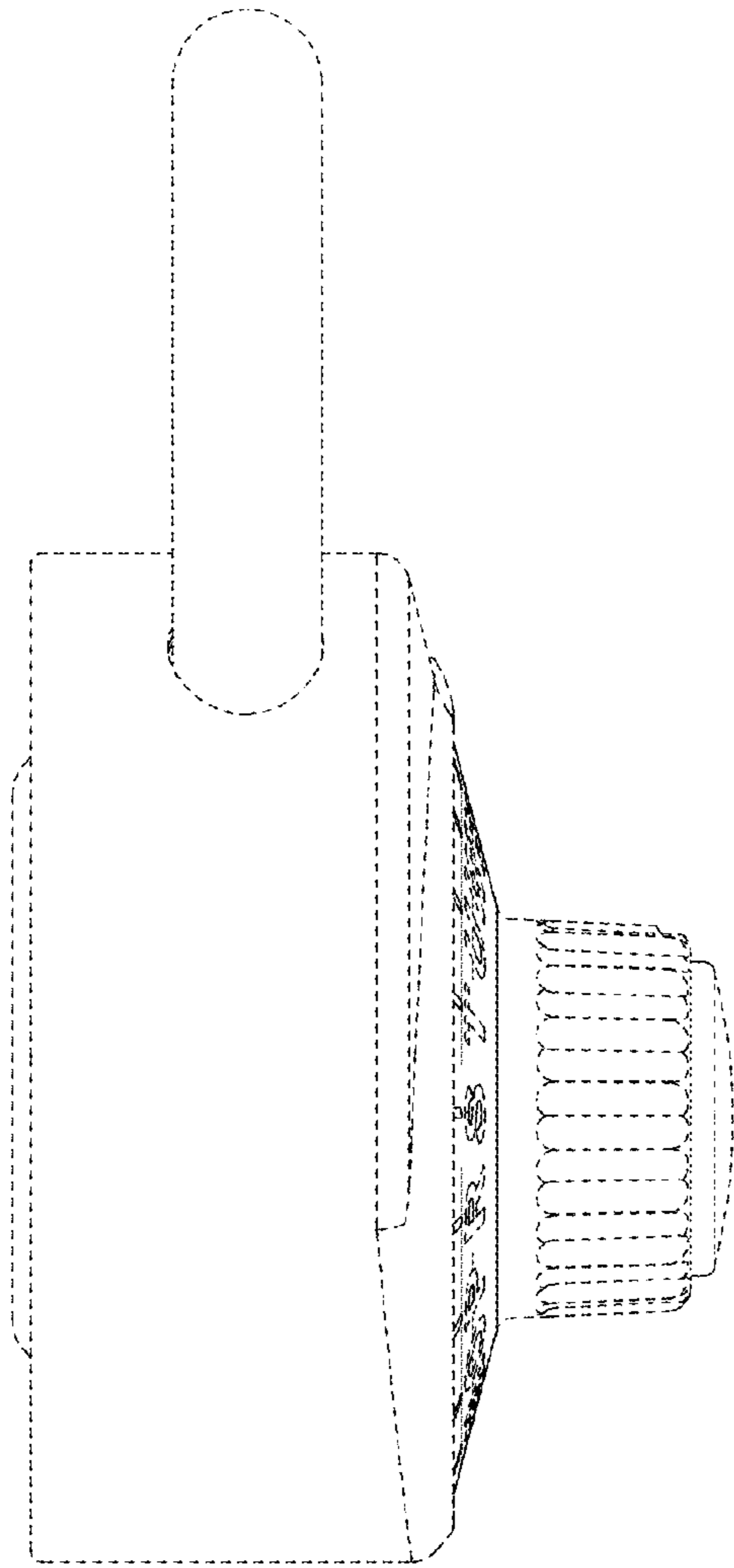
**FIG. 3**



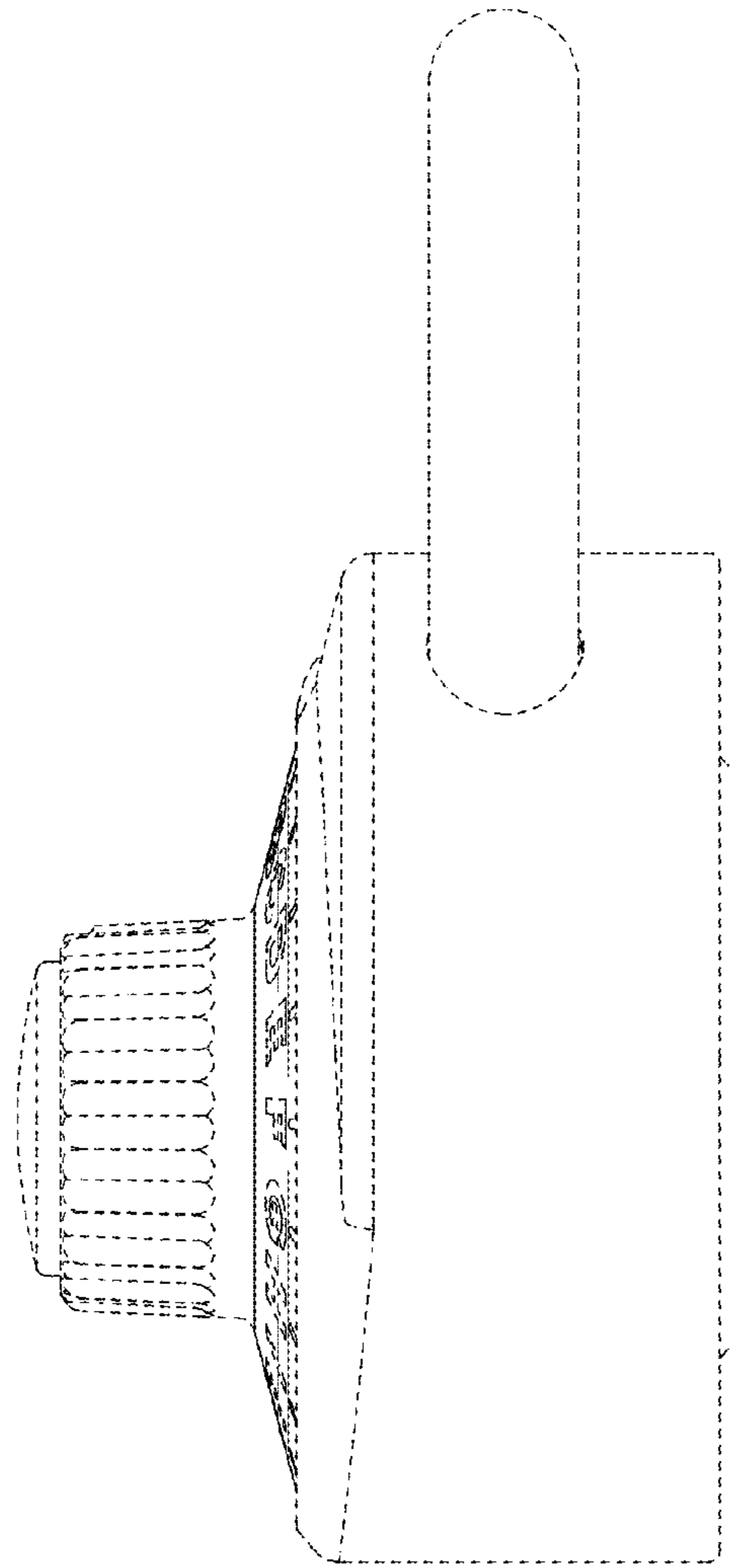
**FIG. 4**



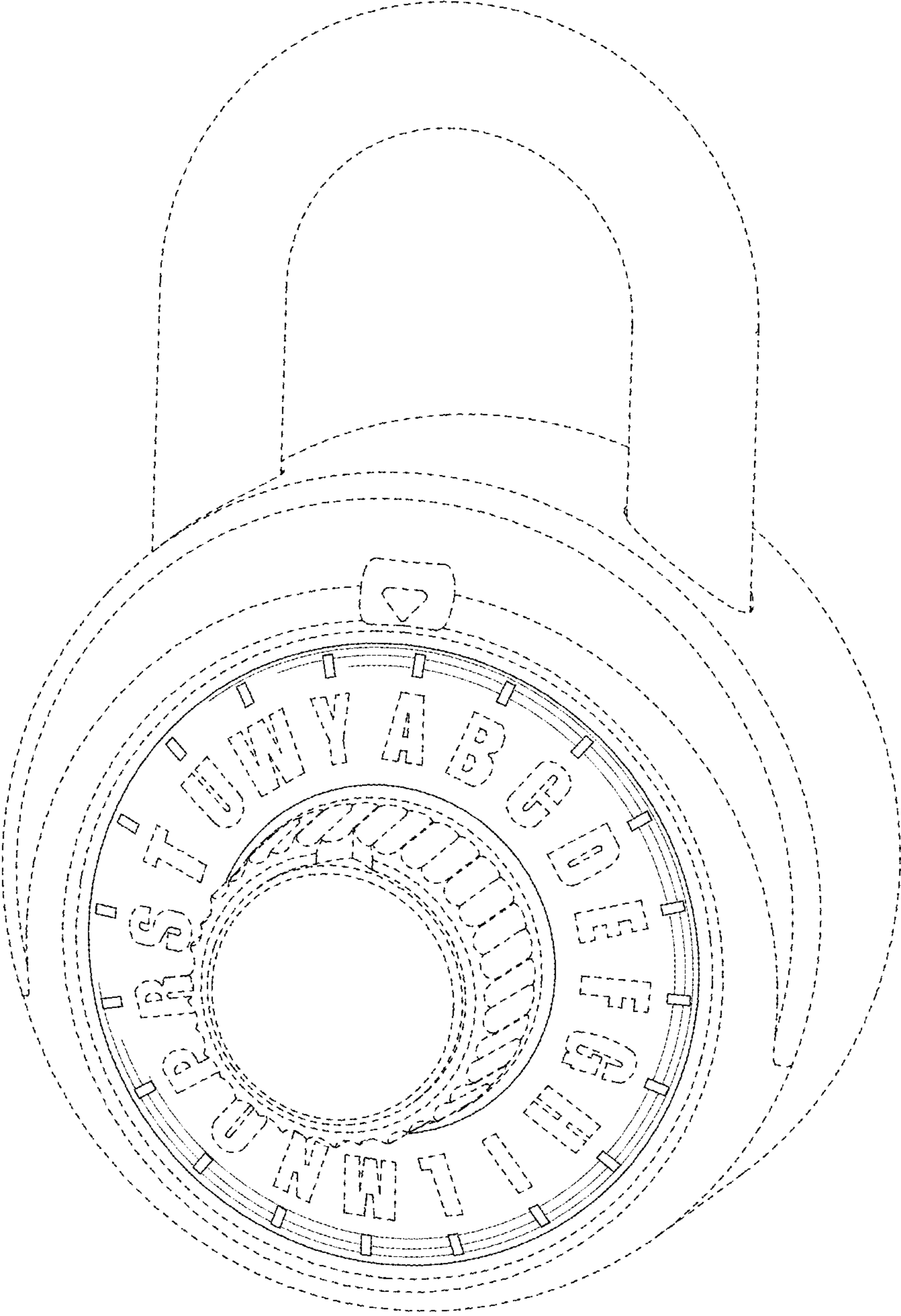
**FIG. 5**



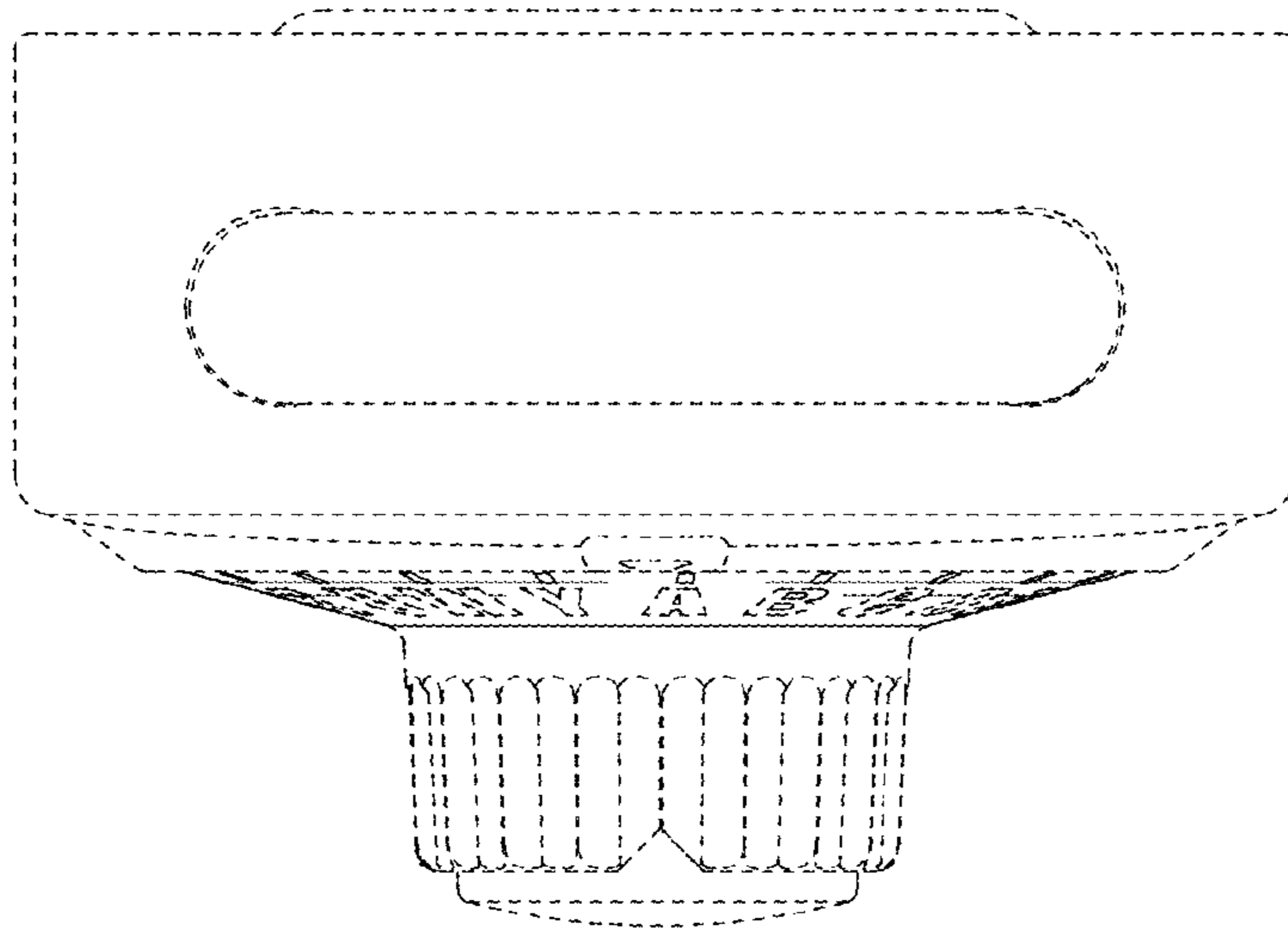
**FIG. 6**



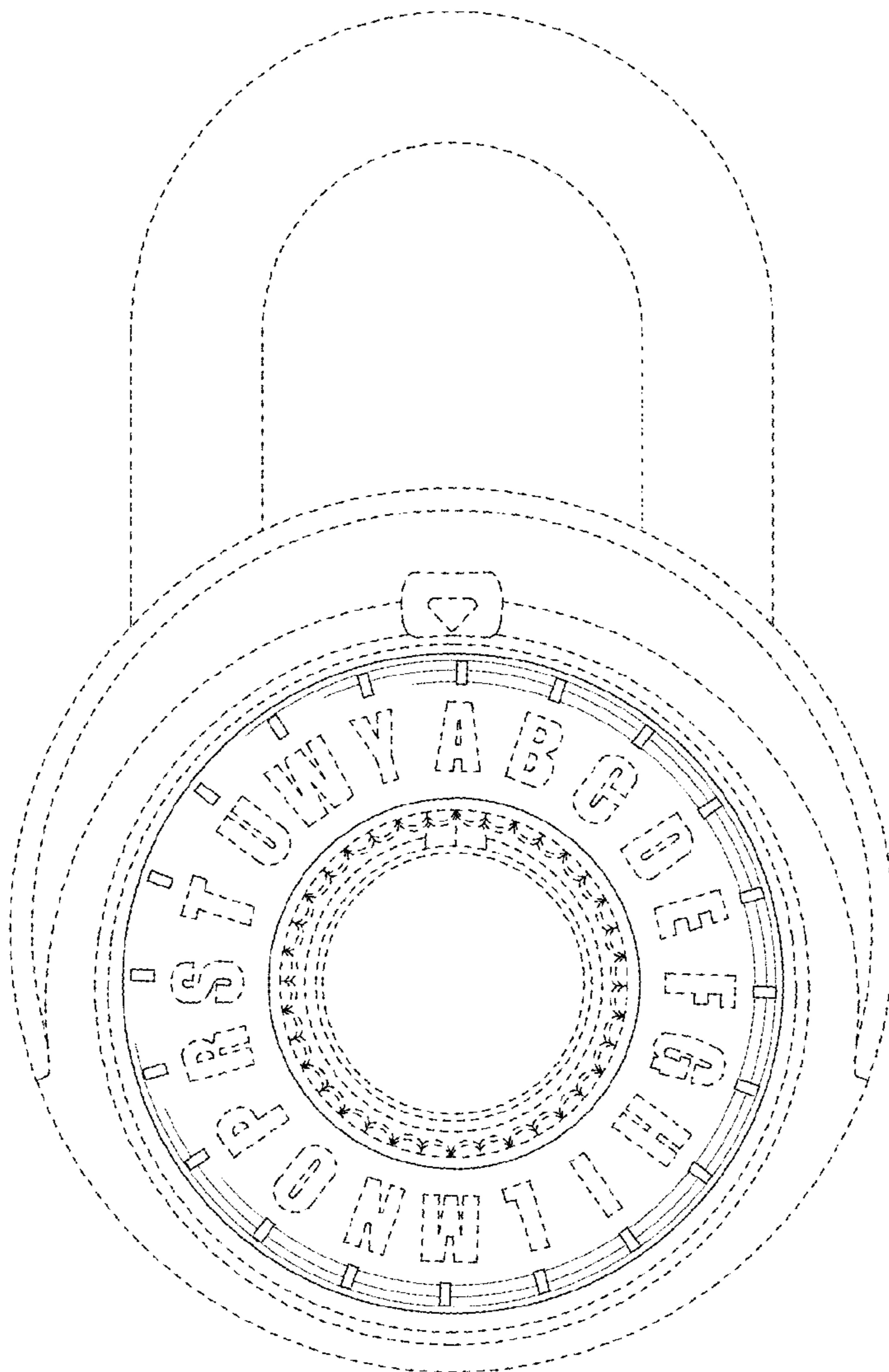
**FIG. 7**



**FIG. 8**

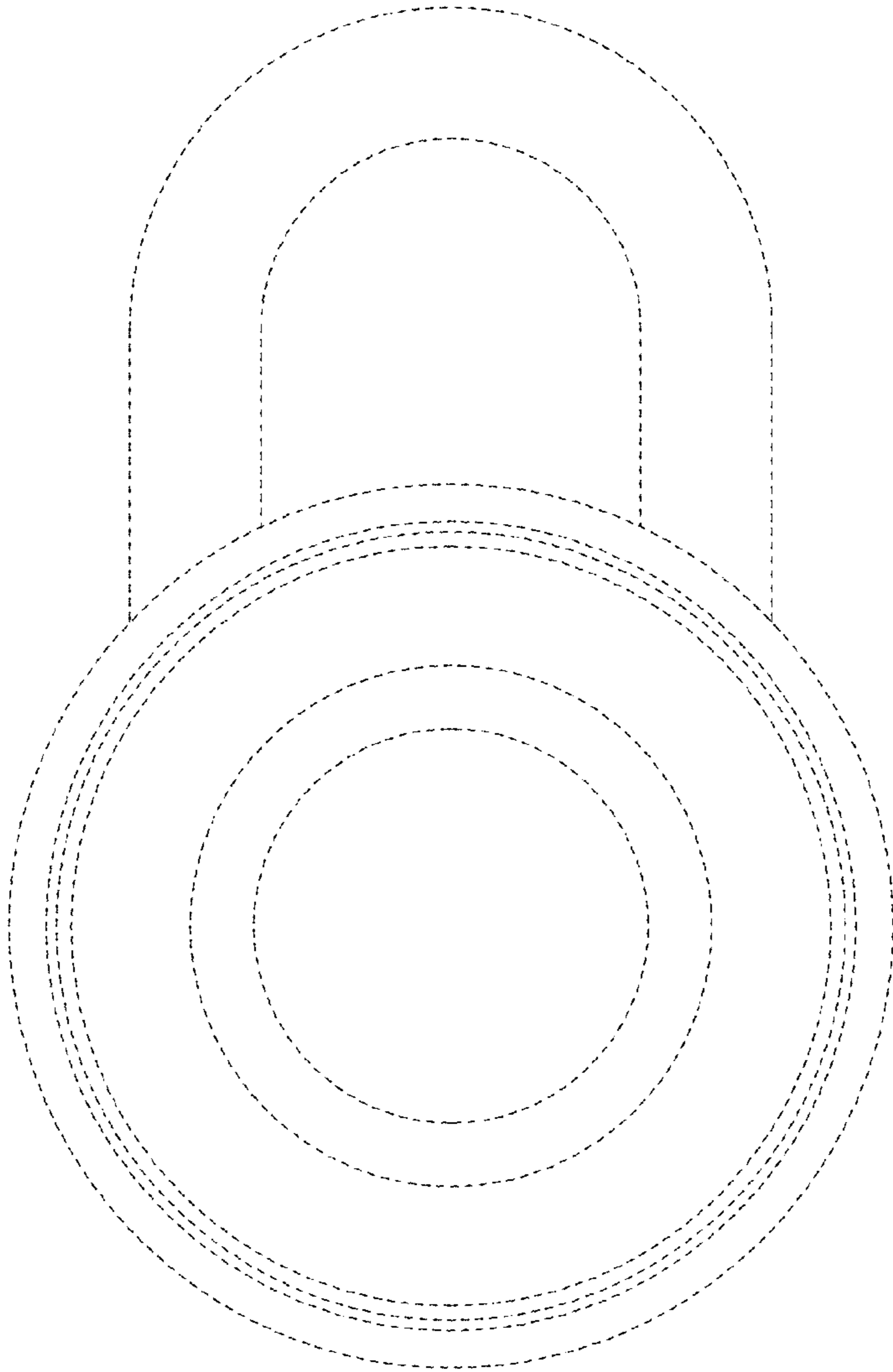


**FIG. 9**

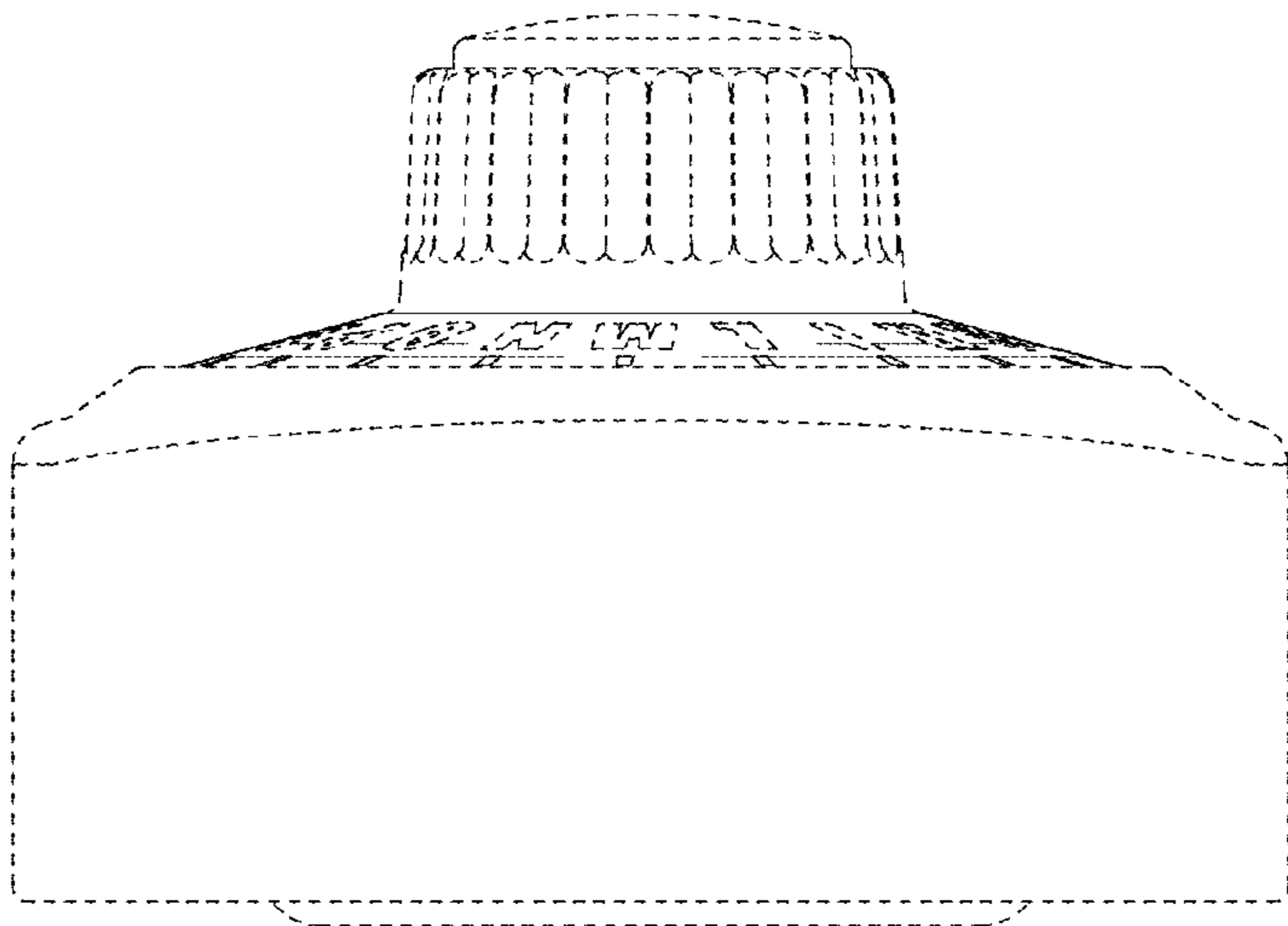


**FIG. 10**

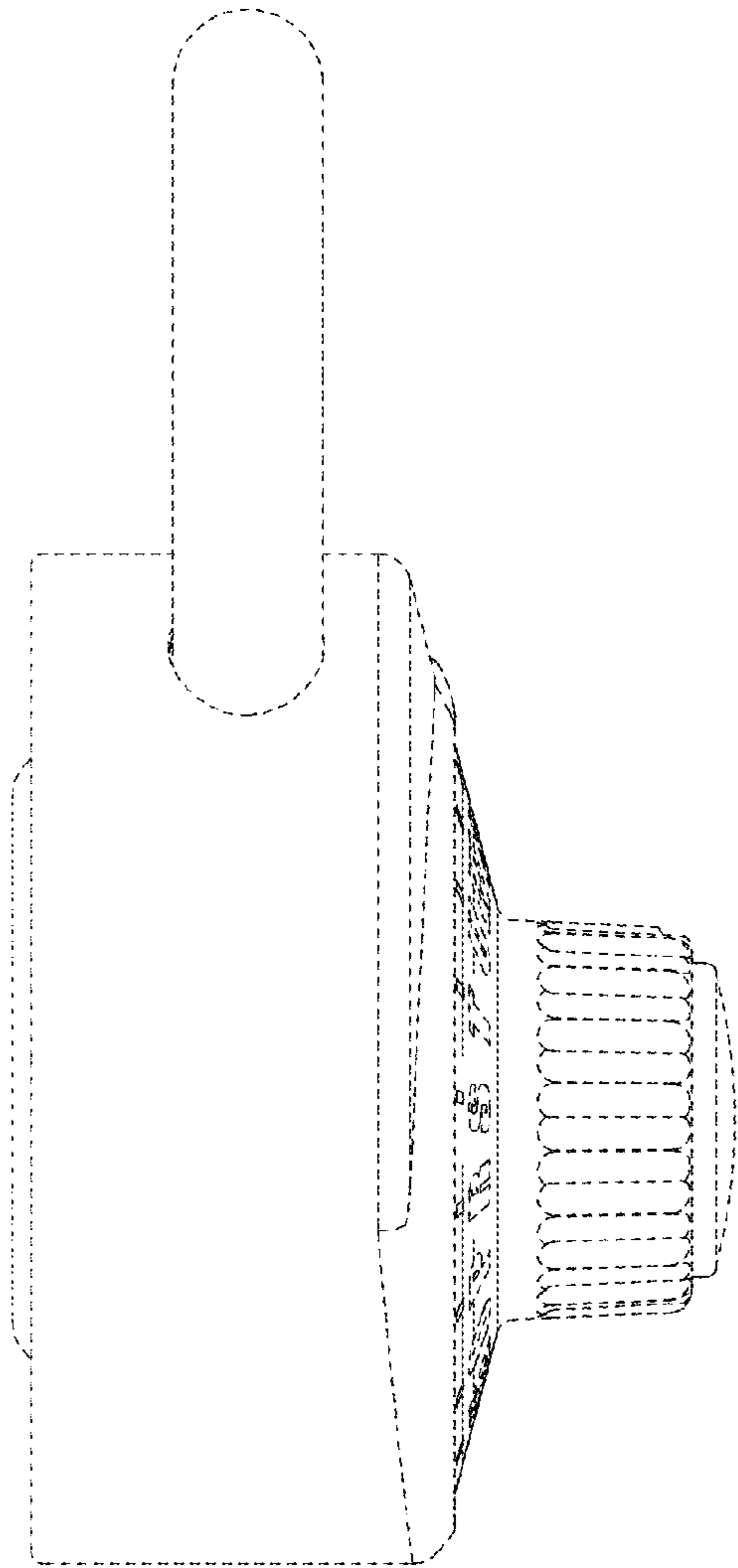




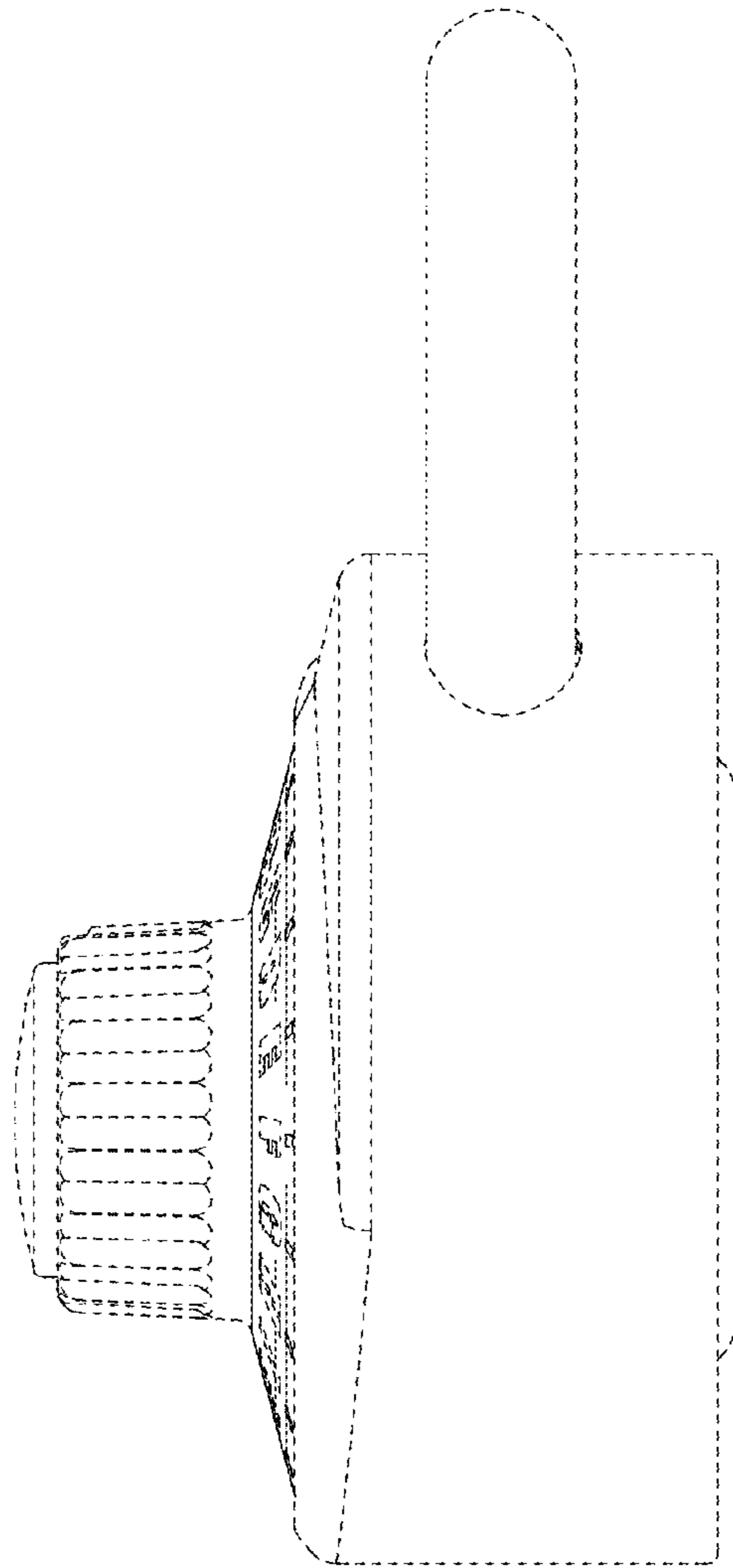
**FIG. 11**



**FIG. 12**



**FIG. 13**



**FIG. 14**