



US00D704531S

(12) **United States Design Patent**
Stevens

(10) **Patent No.:** **US D704,531 S**

(45) **Date of Patent:** **** May 13, 2014**

(54) **LOCK**

3,841,118 A 10/1974 Stone
3,952,559 A 4/1976 Atkinson
D241,805 S 10/1976 Stolarz

(71) Applicant: **Master Lock Company LLC**, Oak Creek, WI (US)

(Continued)

(72) Inventor: **Scott B. Stevens**, St. Francis, WI (US)

FOREIGN PATENT DOCUMENTS

(73) Assignee: **Master Lock Company LLC**, Oak Creek, WI (US)

JP 1111306 6/2001

OTHER PUBLICATIONS

(**) Term: **14 Years**

Printout from Office of Harmonization in the Internal Market, Design No. 000835244-0001, publication dated Feb. 1, 2002, <http://oami.europa.eu/RCDOOnline/RequestManager?print=1> (printed Jul. 28, 2009).

(21) Appl. No.: **29/465,551**

(22) Filed: **Aug. 29, 2013**

(Continued)

Related U.S. Application Data

(62) Division of application No. 29/423,699, filed on Jun. 4, 2012, now Pat. No. Des. 691,870.

(51) **LOC (10) Cl.** **08-07**

(52) **U.S. Cl.**
USPC **D8/333; D8/343**

(58) **Field of Classification Search**
USPC D8/330, 331, 333, 343, 339, 336;
70/14-16, 18, 57, 25, 158, 163-168,
70/233, 38 A, 38 C

See application file for complete search history.

(56) **References Cited**

U.S. PATENT DOCUMENTS

228,619 A 6/1880 Estes et al.
745,064 A 11/1903 Katzenberger
825,735 A 7/1906 Katzenberger
3,724,122 A 4/1973 Gillespie, Sr.
3,750,431 A 8/1973 Atkinson
3,756,046 A 9/1973 Jeh

Primary Examiner — Prabhakar Deshmukh

(74) *Attorney, Agent, or Firm* — Calfee, Halter & Griswold, LLP

(57) **CLAIM**

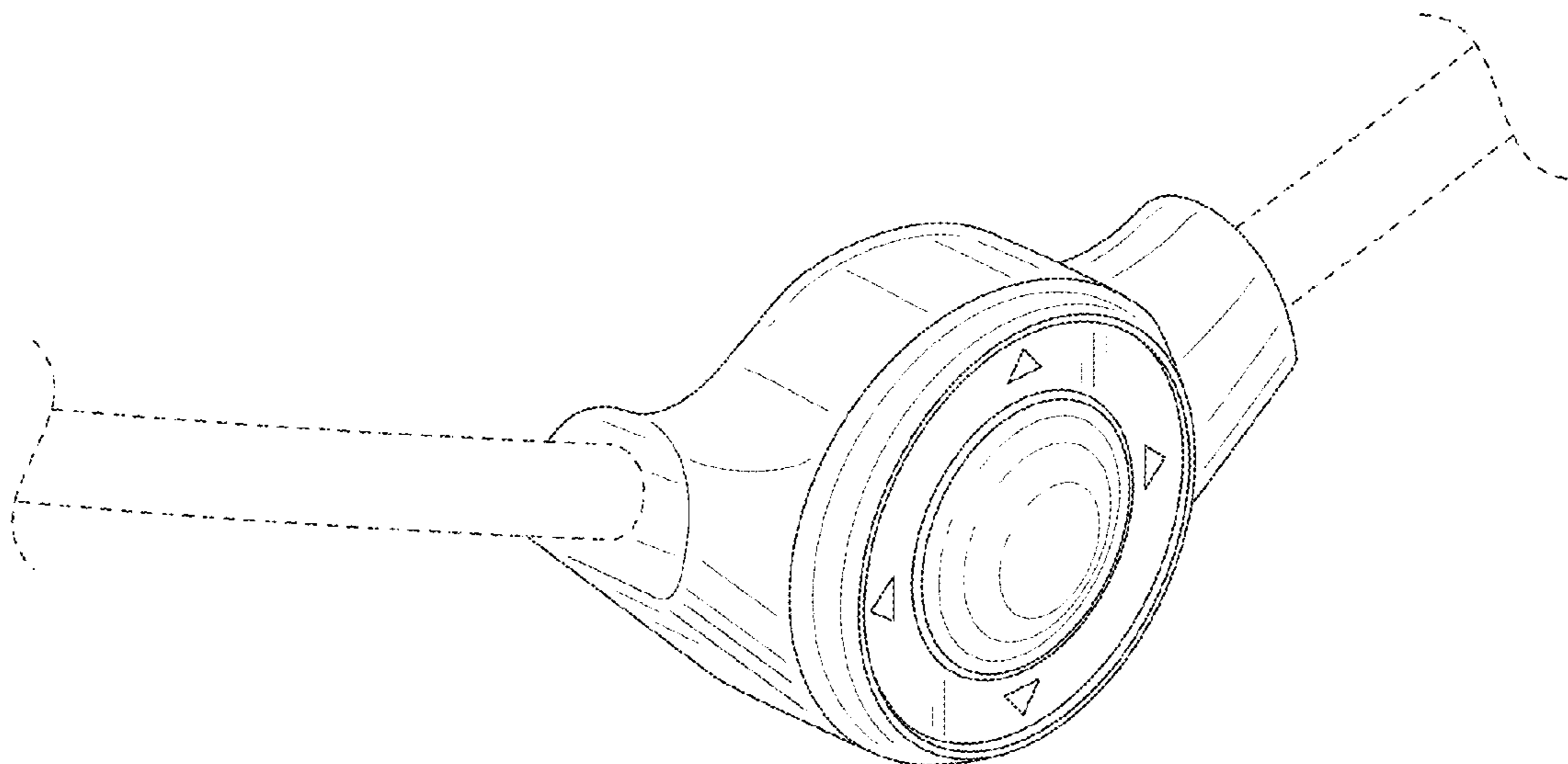
I claim the ornamental design for a lock, as shown and described.

DESCRIPTION

FIG. 1 is a perspective view of a lock showing my new design; FIG. 2 is a front elevational view of the lock of FIG. 1; FIG. 3 is a rear elevational view of the lock of FIG. 1; FIG. 4 is a right side elevational view of the lock of FIG. 1; FIG. 5 is a left side elevational view of the lock of FIG. 1; FIG. 6 is a top plan view of the lock of FIG. 1; and, FIG. 7 is a bottom plan view of the lock of FIG. 1.

The portions of the Figures shown in broken lines are for illustrative purpose only and form no part of the claimed design.

1 Claim, 4 Drawing Sheets



(56)

References Cited

U.S. PATENT DOCUMENTS

D242,370 S 11/1976 Arndt et al.
 4,197,726 A 4/1980 Uyeda
 4,224,813 A 9/1980 Hampton
 D267,526 S 1/1983 Figuered
 4,404,823 A 9/1983 Miller et al.
 4,422,311 A 12/1983 Zabel et al.
 4,476,698 A 10/1984 Treslo
 D276,408 S 11/1984 Zabel et al.
 D302,237 S 7/1989 O'Day
 4,895,488 A 1/1990 Dobbins et al.
 4,938,039 A 7/1990 Tzung-I
 D332,387 S 1/1993 Ling
 D342,010 S 12/1993 Lebrecht et al.
 5,433,092 A * 7/1995 Kuo 70/46
 D369,288 S 4/1996 Jensen
 5,517,835 A * 5/1996 Smith 70/14
 D373,523 S 9/1996 Carsesello
 5,572,890 A 11/1996 Carpenter
 D379,059 S 5/1997 Turner
 D381,268 S 7/1997 Rush et al.
 D390,282 S 2/1998 Burdick
 D390,771 S 2/1998 Egger
 D393,544 S 4/1998 Ling
 D395,814 S 7/1998 Yang
 D397,026 S 8/1998 Drake
 D405,144 S 2/1999 Crum
 D406,043 S 2/1999 LeClaire
 5,868,012 A * 2/1999 Chun-Te et al. 70/30
 D411,730 S 6/1999 Matyko
 D416,467 S 11/1999 Castellanos et al.
 5,984,171 A 11/1999 Schwarzli
 D425,398 S 5/2000 Fiegenger et al.
 D426,138 S 6/2000 Matyko
 D426,763 S 6/2000 Adler et al.
 D427,884 S 7/2000 Castellanos et al.
 D433,312 S * 11/2000 Luquire D8/333
 D433,314 S 11/2000 Mimlitch et al.
 D435,428 S * 12/2000 Ling D8/333
 6,192,720 B1 2/2001 Kan
 D449,510 S 10/2001 Liu
 6,298,694 B1 10/2001 Knoll
 D455,638 S 4/2002 Livingston et al.
 D455,639 S 4/2002 McDaid et al.
 D457,802 S 5/2002 Meekma et al.
 6,389,854 B1 5/2002 Huang
 D458,530 S 6/2002 Grosz et al.

D461,699 S 8/2002 Lavikainen et al.
 D469,332 S 1/2003 Meekma et al.
 D470,745 S 2/2003 Gast
 D471,429 S 3/2003 Williams et al.
 D472,129 S 3/2003 Hill et al.
 D476,216 S 6/2003 Vito
 D484,776 S 1/2004 Ruan
 6,718,803 B2 4/2004 Knoll
 D506,150 S 6/2005 Backlund et al.
 D512,900 S 12/2005 Tarter et al.
 D512,901 S 12/2005 Haber
 6,993,943 B1 2/2006 Chang
 D516,408 S 3/2006 Kearns et al.
 D517,396 S 3/2006 Tarter et al.
 7,047,772 B2 5/2006 Yu
 D527,428 S 8/2006 Cooper
 7,094,000 B2 8/2006 Akkala et al.
 D528,401 S 9/2006 Ruan
 D533,764 S 12/2006 Heppner
 D535,548 S 1/2007 Lin
 D537,703 S 3/2007 Kearns et al.
 D541,228 S 4/2007 Thursfield
 D541,630 S 5/2007 Blomstrom et al.
 D545,177 S 6/2007 Vito
 D548,043 S 8/2007 Yang
 7,264,189 B2 9/2007 Holcomb et al.
 D557,107 S 12/2007 Van Handel et al.
 D569,226 S 5/2008 Brewster et al.
 D573,871 S 7/2008 Nave et al.
 D574,013 S 7/2008 Brennwald
 D582,251 S 12/2008 Mackey et al.
 D583,218 S 12/2008 Nave et al.
 D594,731 S 6/2009 Plato
 D596,647 S 7/2009 Levy
 D629,280 S 12/2010 Plato
 D633,369 S 3/2011 Atteridge et al.
 D638,279 S 5/2011 Plato

OTHER PUBLICATIONS

Website printout, Master Lock—One Padlock, <http://www.masterlock.eu/products/detail/Padlocks-GeneralSecurity/CombinationLocks/OnePadlock-Resettable> Combination/OnePadlock.
 Website printout, Master Lock—Combination Padlocks No. 1500ID, <http://masterlock.com/products/productdetails/1500iD>.
 Japanese Text of Reason for Refusal from Japanese Patent Application No. 2012-29651, dated Oct. 8, 2013.

* cited by examiner

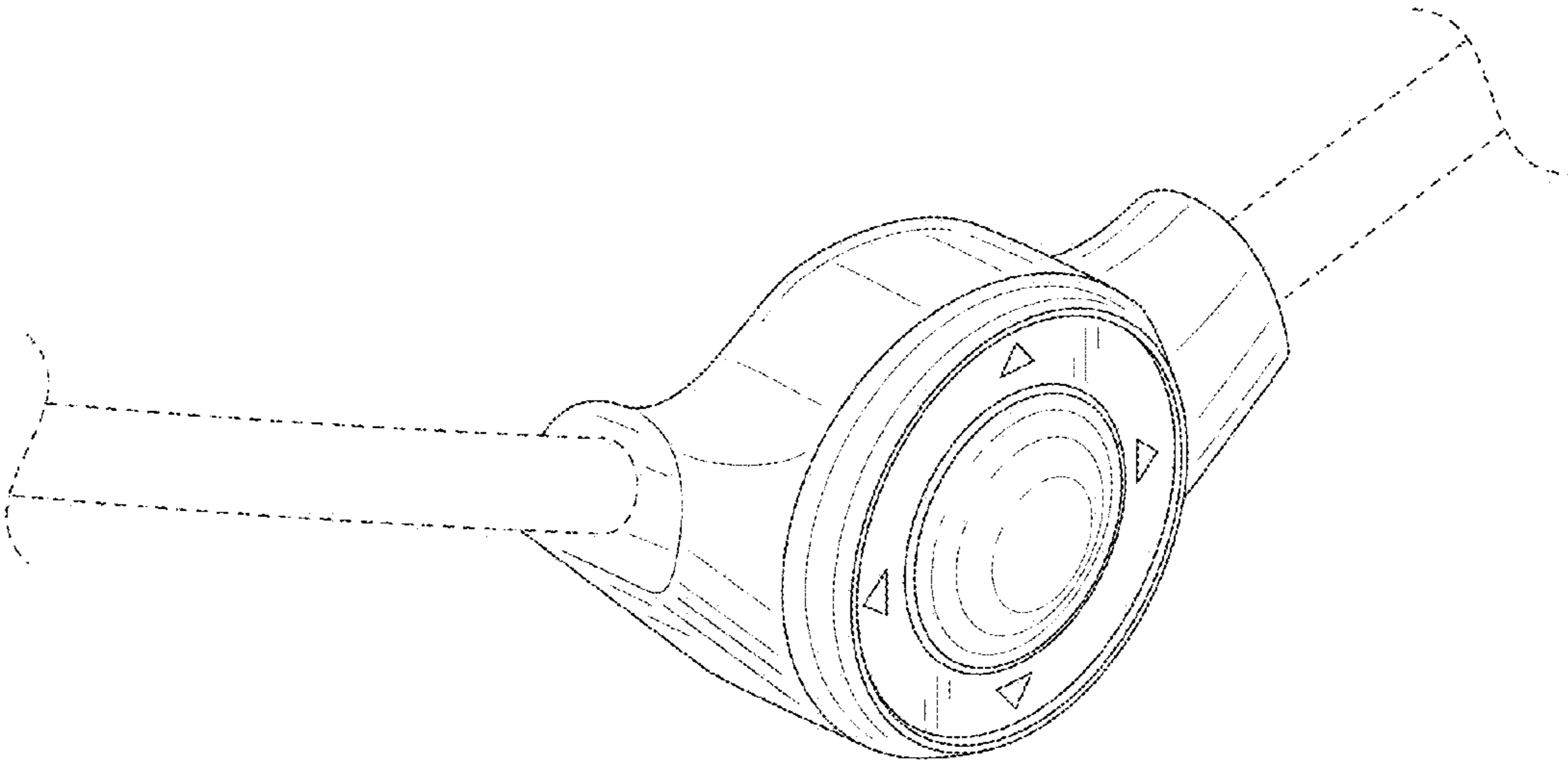


FIG. 1

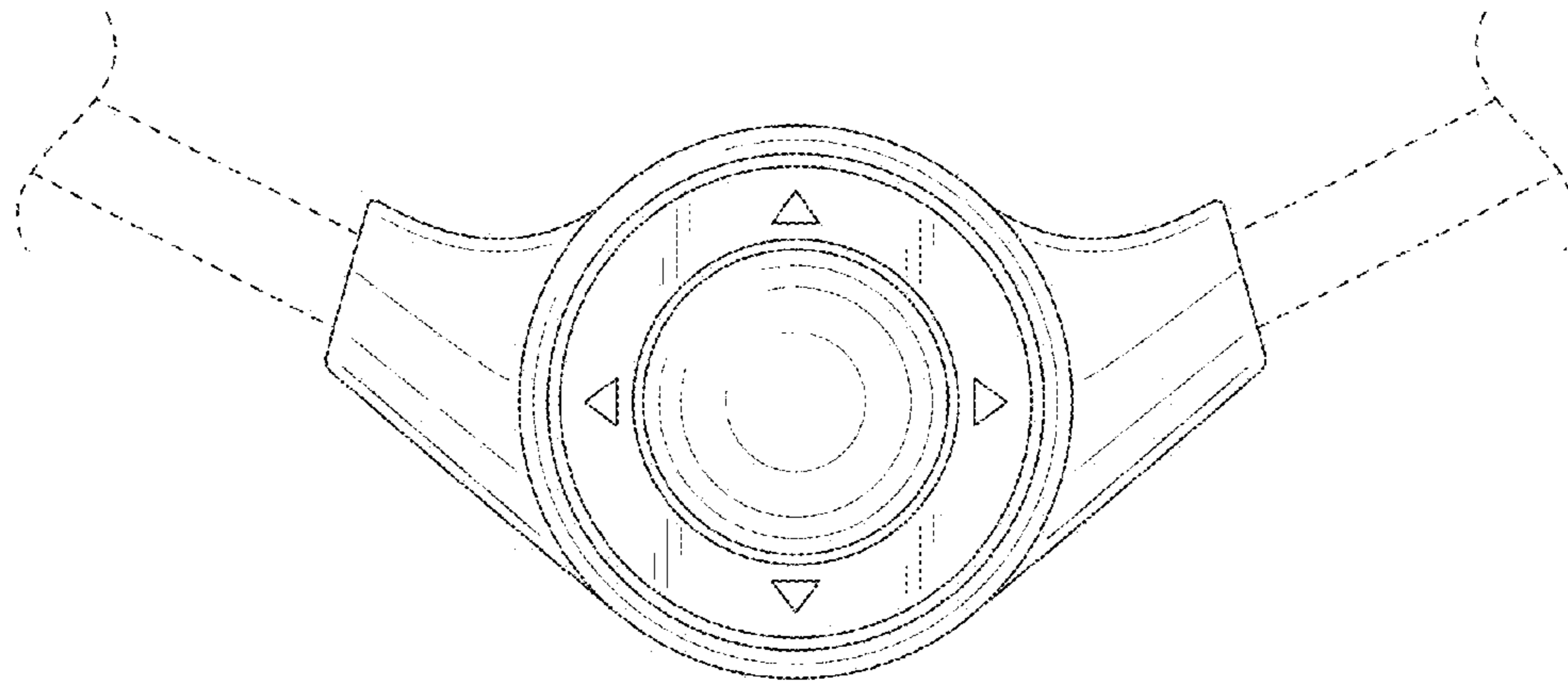


FIG. 2

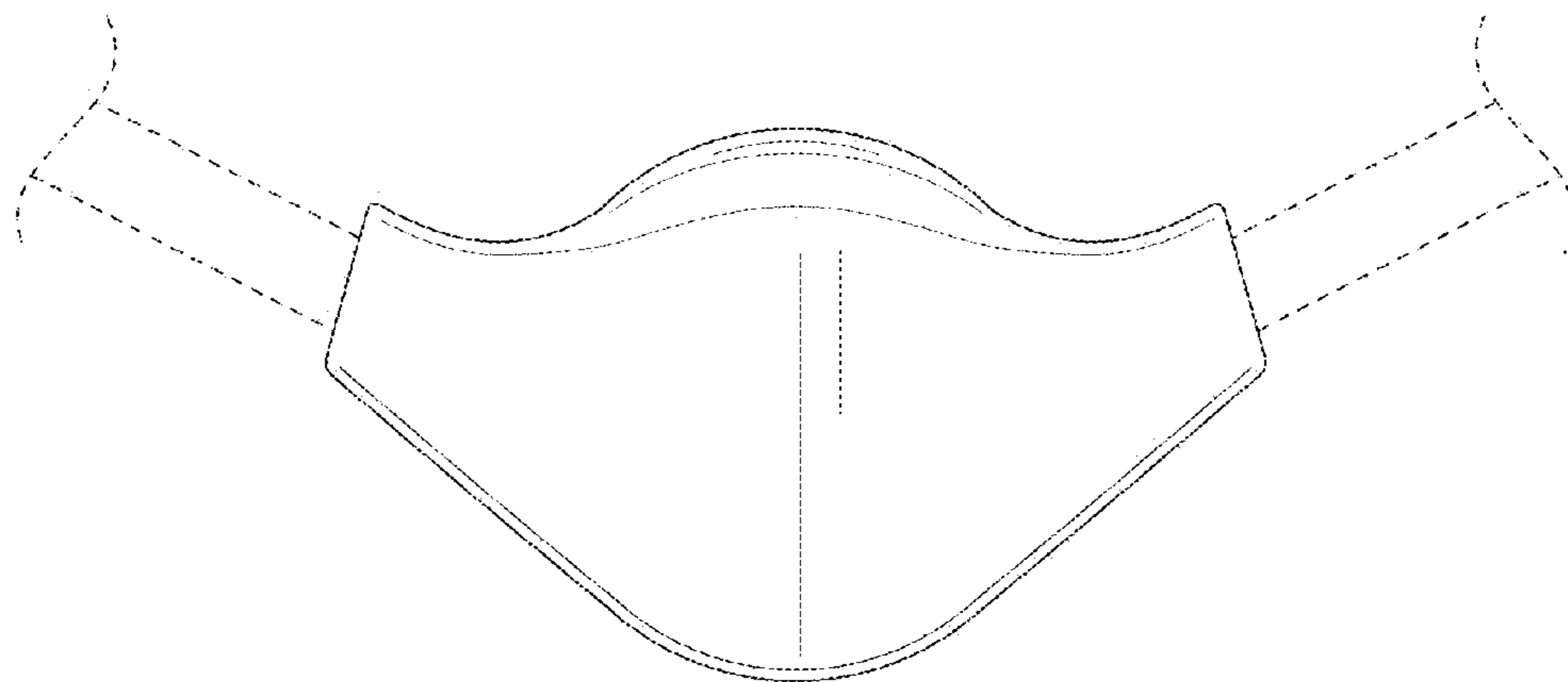


FIG. 3

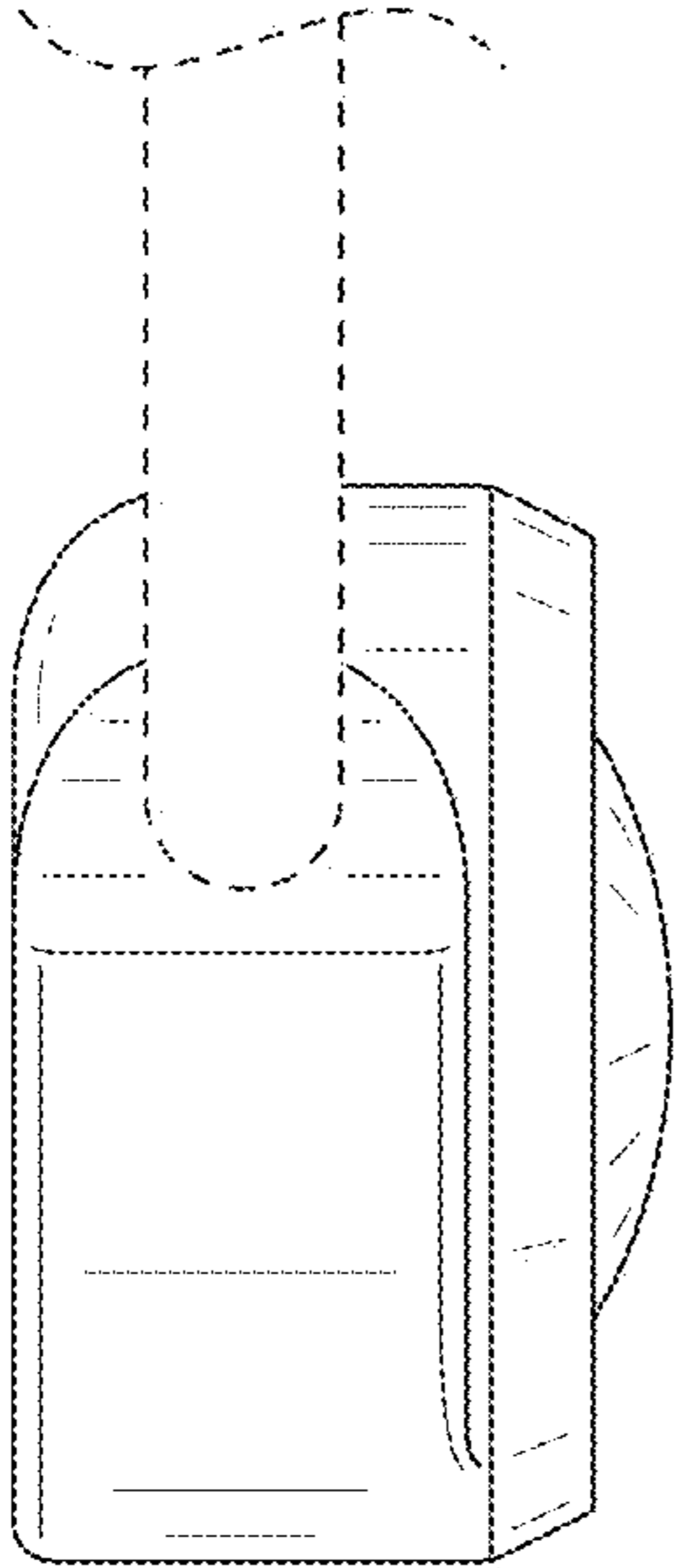


FIG. 4

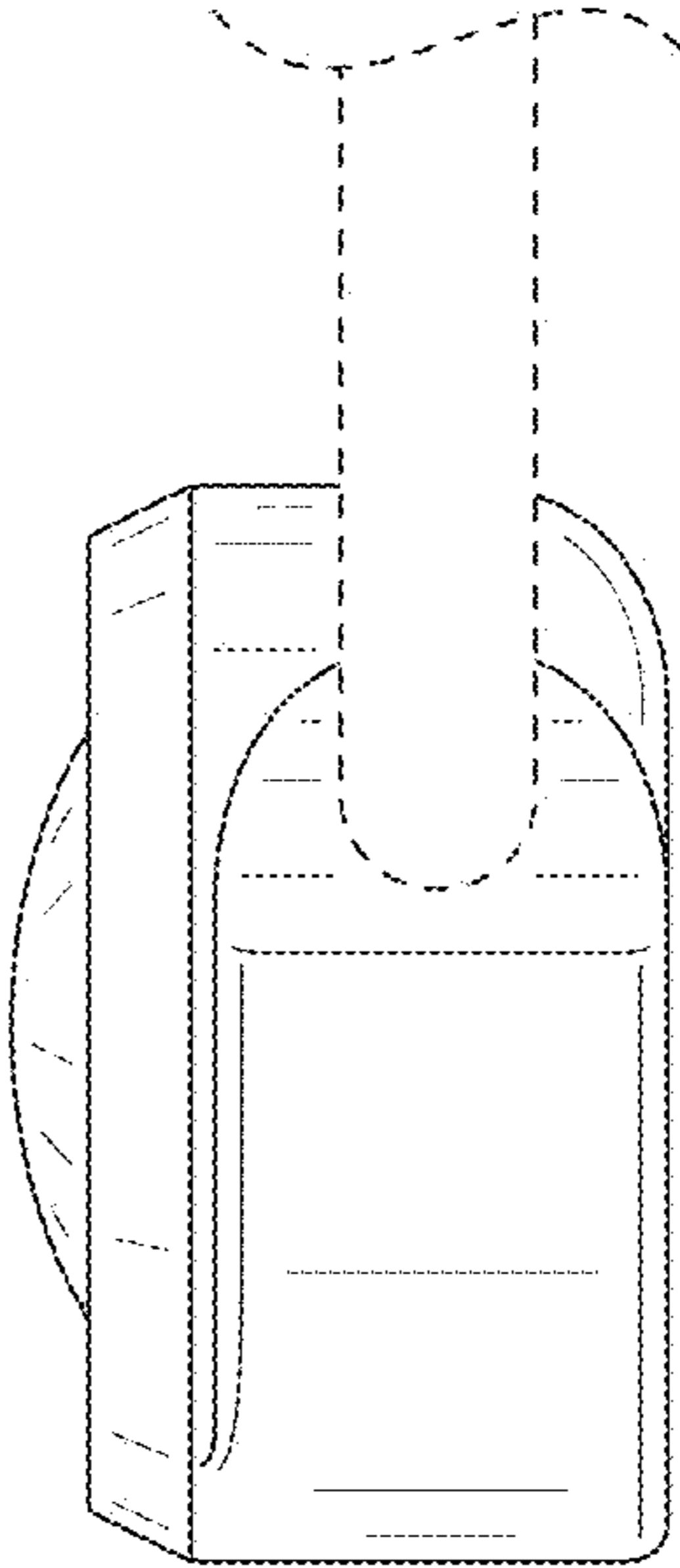


FIG. 5

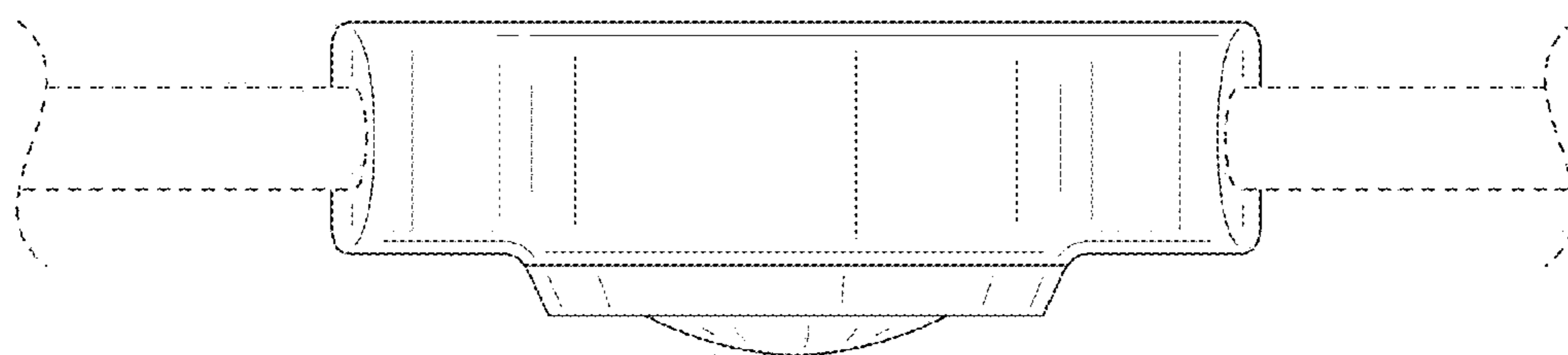


FIG. 6

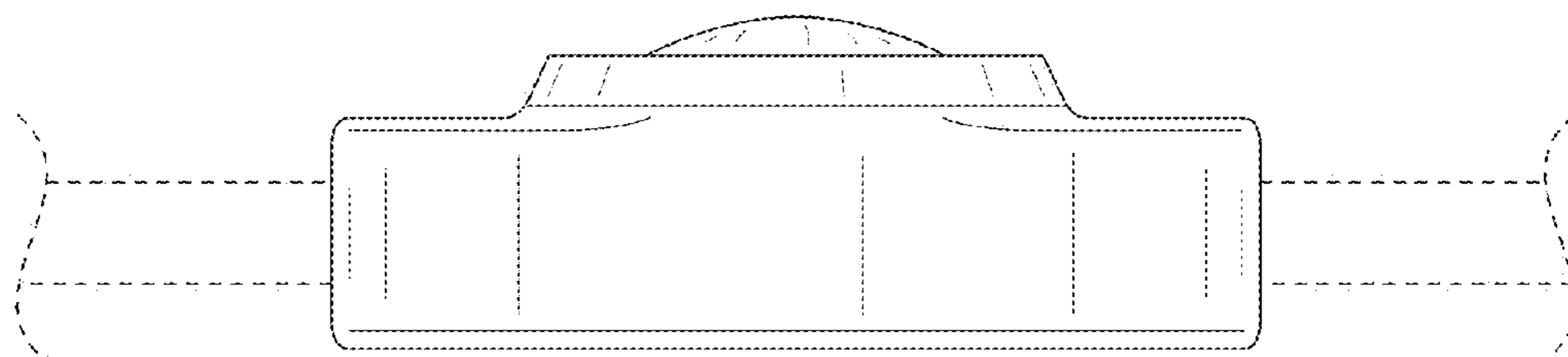


FIG. 7