



US00D704527S

(12) **United States Design Patent**  
**Liu**

(10) **Patent No.:** **US D704,527 S**  
(45) **Date of Patent:** **\*\* May 13, 2014**

- (54) **STEERING WHEEL LOCK**
- (71) Applicant: **Nan Kai Lock Co.**, Taichung (TW)
- (72) Inventor: **Wen-Kuei Liu**, Taichung (TW)
- (73) Assignee: **Nan Kai Lock Co.**, Taichung (TW)
- (\*\*) Term: **14 Years**
- (21) Appl. No.: **29/451,537**
- (22) Filed: **Apr. 3, 2013**
- (51) **LOC (10) Cl.** ..... **08-07**
- (52) **U.S. Cl.**  
USPC ..... **D8/331; D8/330**
- (58) **Field of Classification Search**  
USPC ..... D8/330, 331, 333, 339, 343; 70/57,  
70/57.1, 237, 252, 465, 209; 340/426.31,  
340/426.1, 426.22-426.25, 438, 473, 471,  
340/425.5; 307/10.1, 10.2  
See application file for complete search history.

- 7,576,638 B2 \* 8/2009 Yu ..... 340/426.31
- 7,827,835 B2 \* 11/2010 D'Angelo ..... 70/209
- D637,657 S \* 5/2011 Zivanovic ..... D21/333
- D692,743 S \* 11/2013 Liu ..... D8/331

\* cited by examiner

*Primary Examiner* — Prabhakar Deshmukh  
(74) *Attorney, Agent, or Firm* — Muncy, Geissler, Olds & Lowe, P.C.

(57) **CLAIM**

I claim the ornamental design for a steering wheel lock, as shown and described.

**DESCRIPTION**

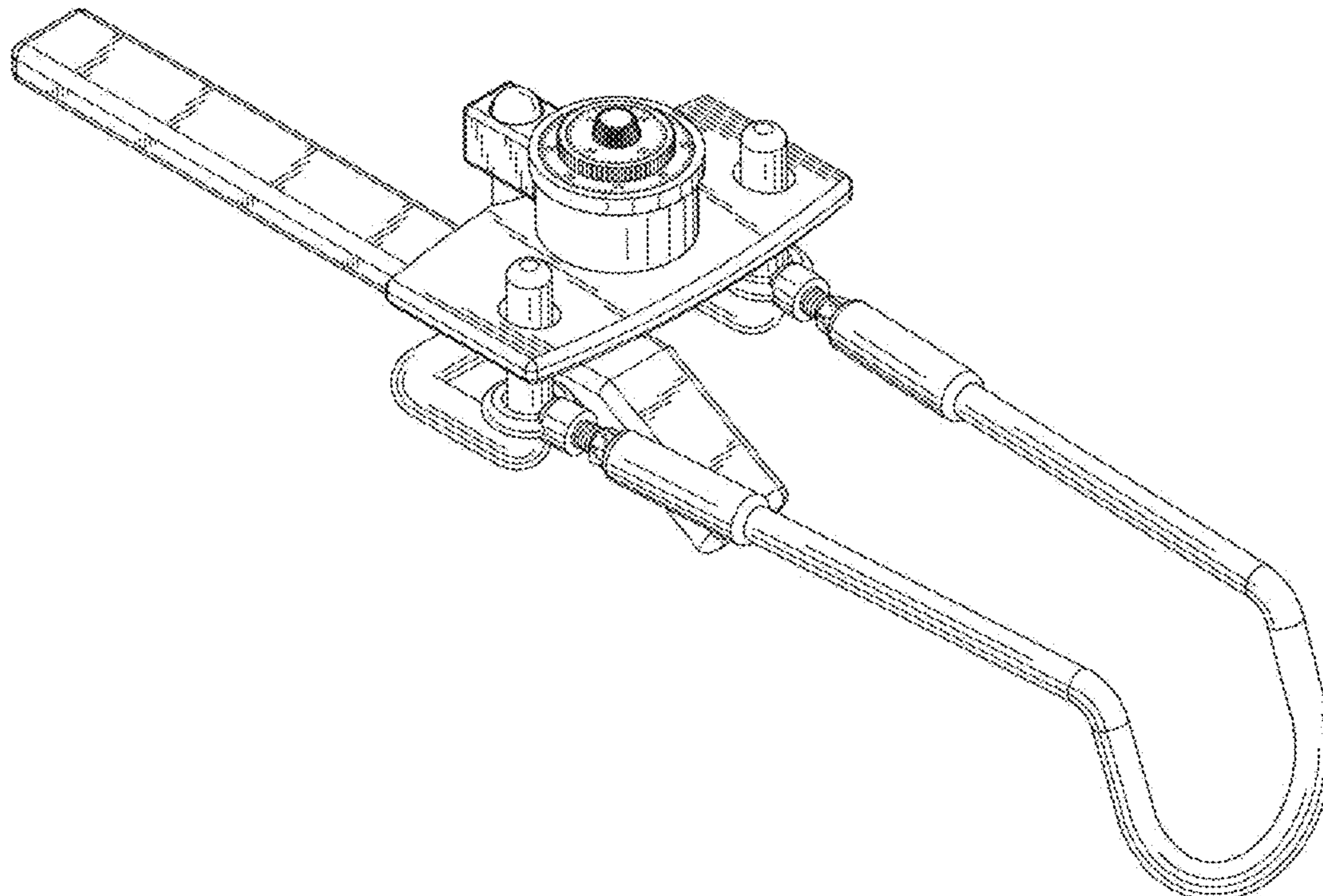
FIG. 1 is a perspective view of a steering wheel lock showing my new design;  
 FIG. 2 is a front view thereof;  
 FIG. 3 is a rear view thereof;  
 FIG. 4 is a left side view thereof;  
 FIG. 5 is a right side view thereof;  
 FIG. 6 is a top plan view thereof;  
 FIG. 7 is a bottom plan view thereof; and,  
 FIG. 8 is an embodiment showing the steering wheel lock in use.  
 The broken lines in FIG. 8 are for the purpose of illustrating the environment of the design and form no part of the claimed design.

**1 Claim, 7 Drawing Sheets**

(56) **References Cited**

**U.S. PATENT DOCUMENTS**

- 5,222,381 A \* 6/1993 Wilcox ..... 70/19
- 5,239,849 A \* 8/1993 Gallardo ..... 70/209
- D339,974 S \* 10/1993 Wilcox ..... D8/343
- 6,470,720 B1 \* 10/2002 Yang et al. .... 70/209
- D467,491 S \* 12/2002 Vito ..... D8/331
- 6,901,781 B1 \* 6/2005 Lin ..... 70/209
- D521,357 S \* 5/2006 Winner et al. .... D8/331
- 7,043,947 B1 \* 5/2006 Yu ..... 70/209



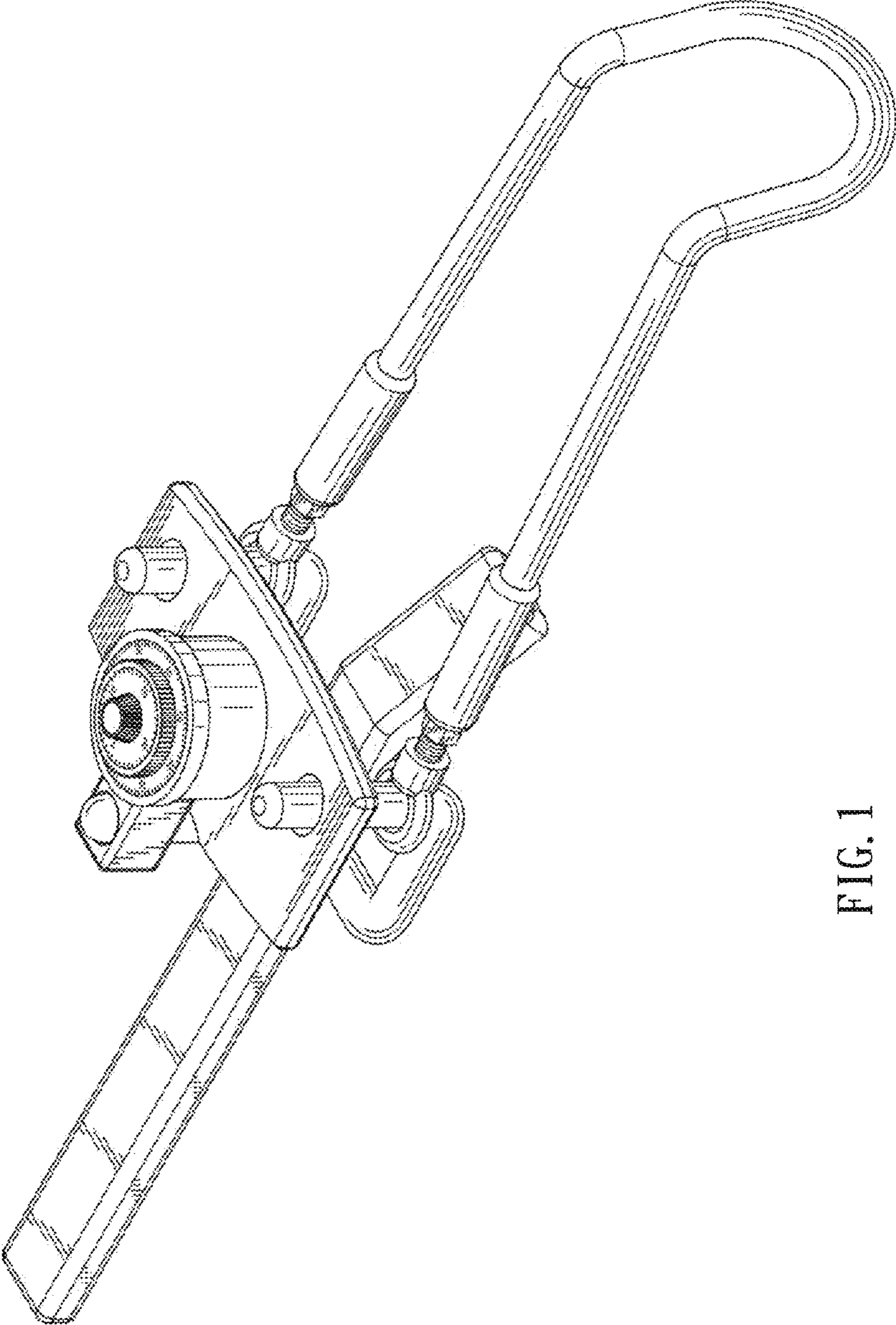


FIG. 1

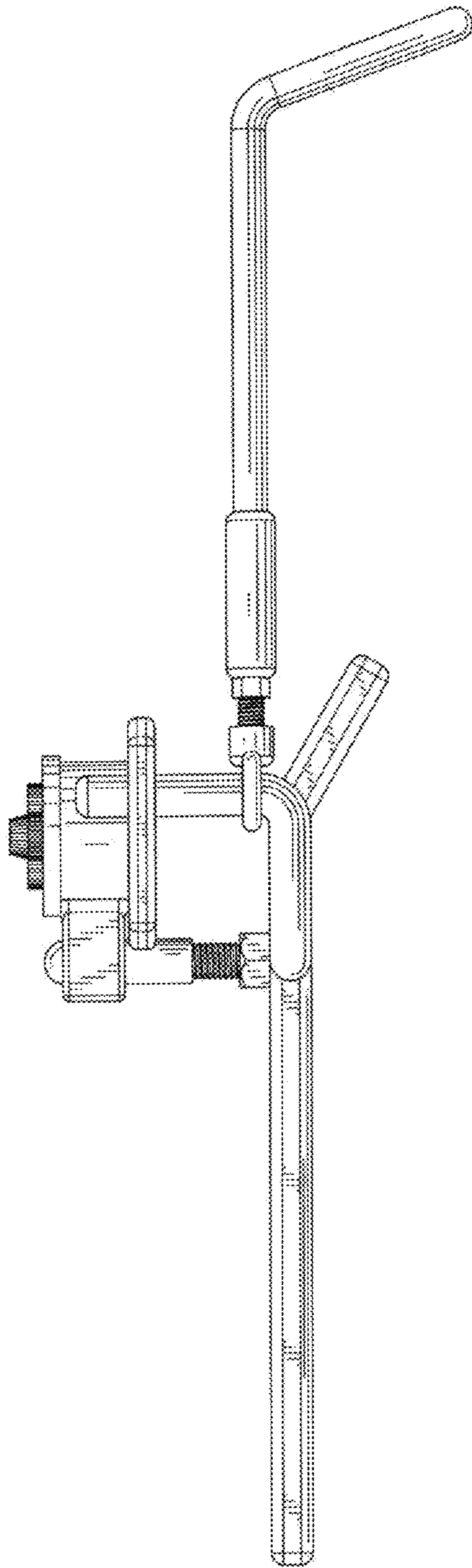


FIG. 2

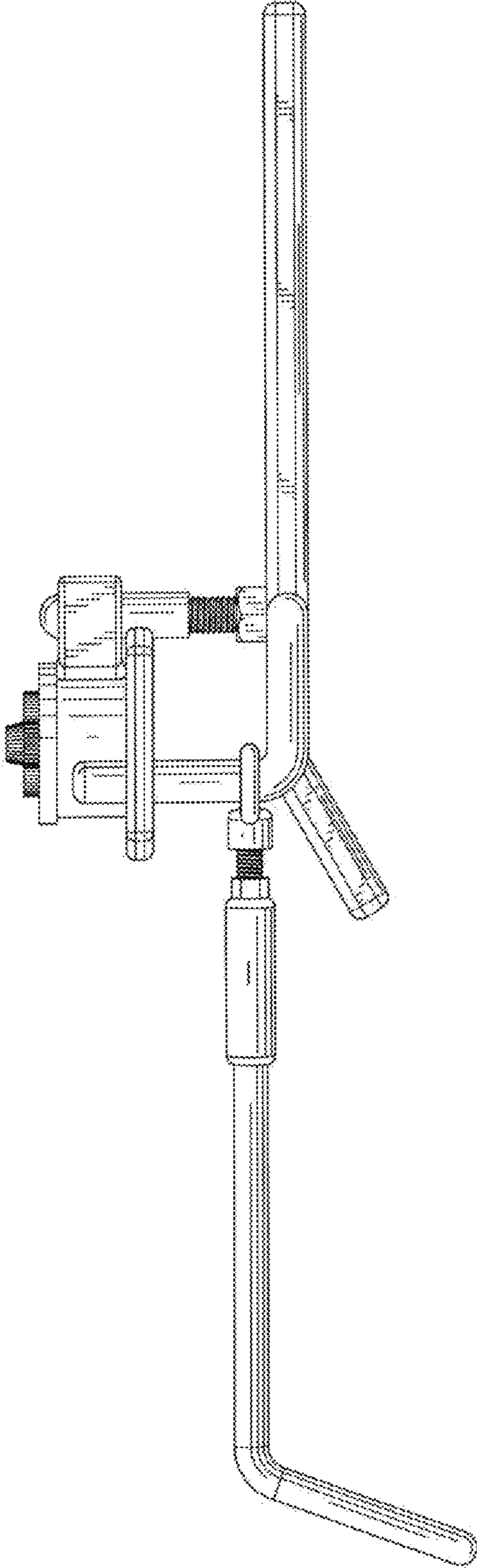


FIG. 3

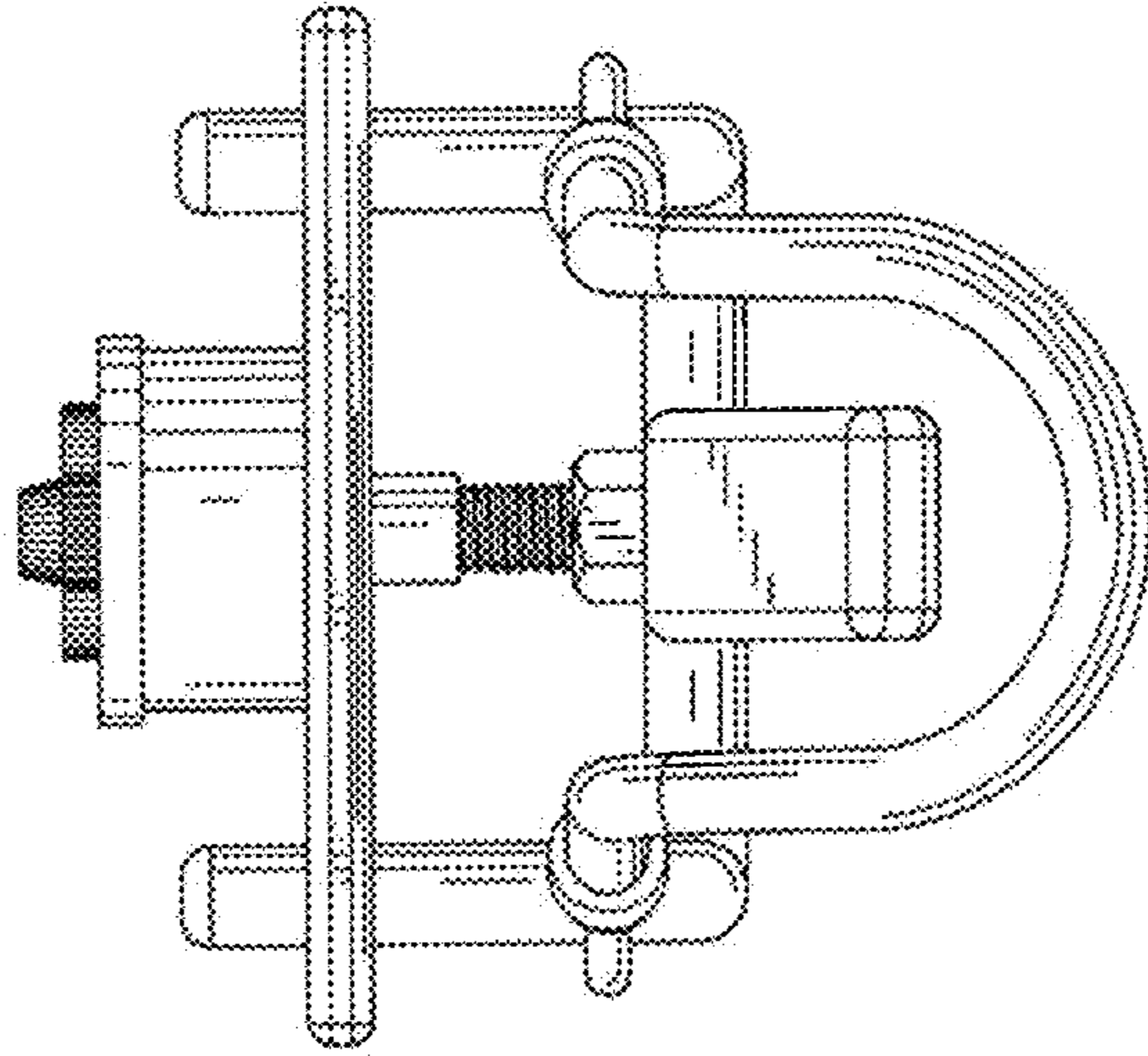


FIG. 5

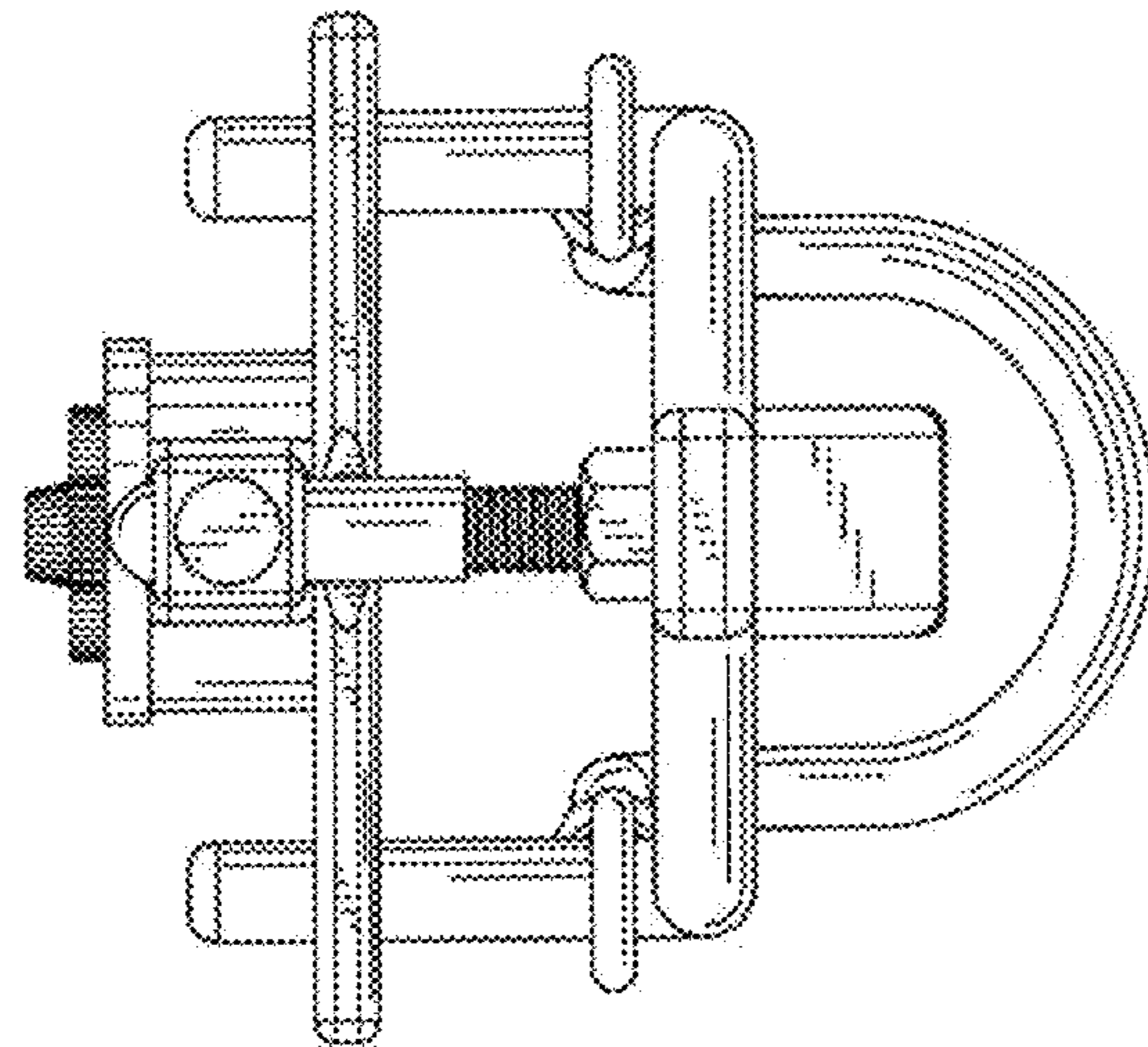


FIG. 4

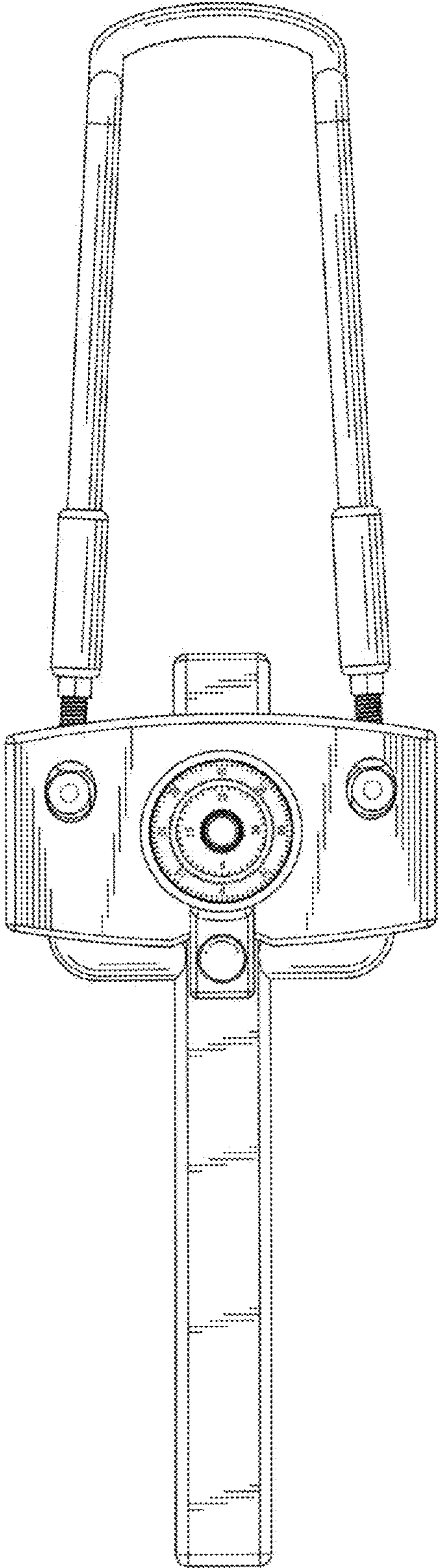


FIG. 6

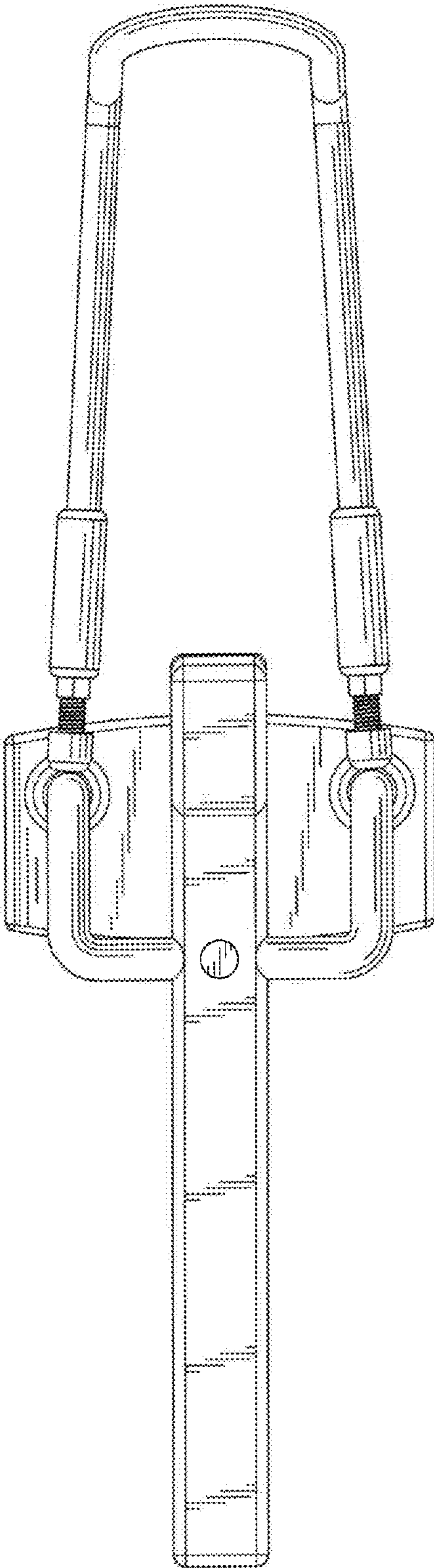


FIG. 7

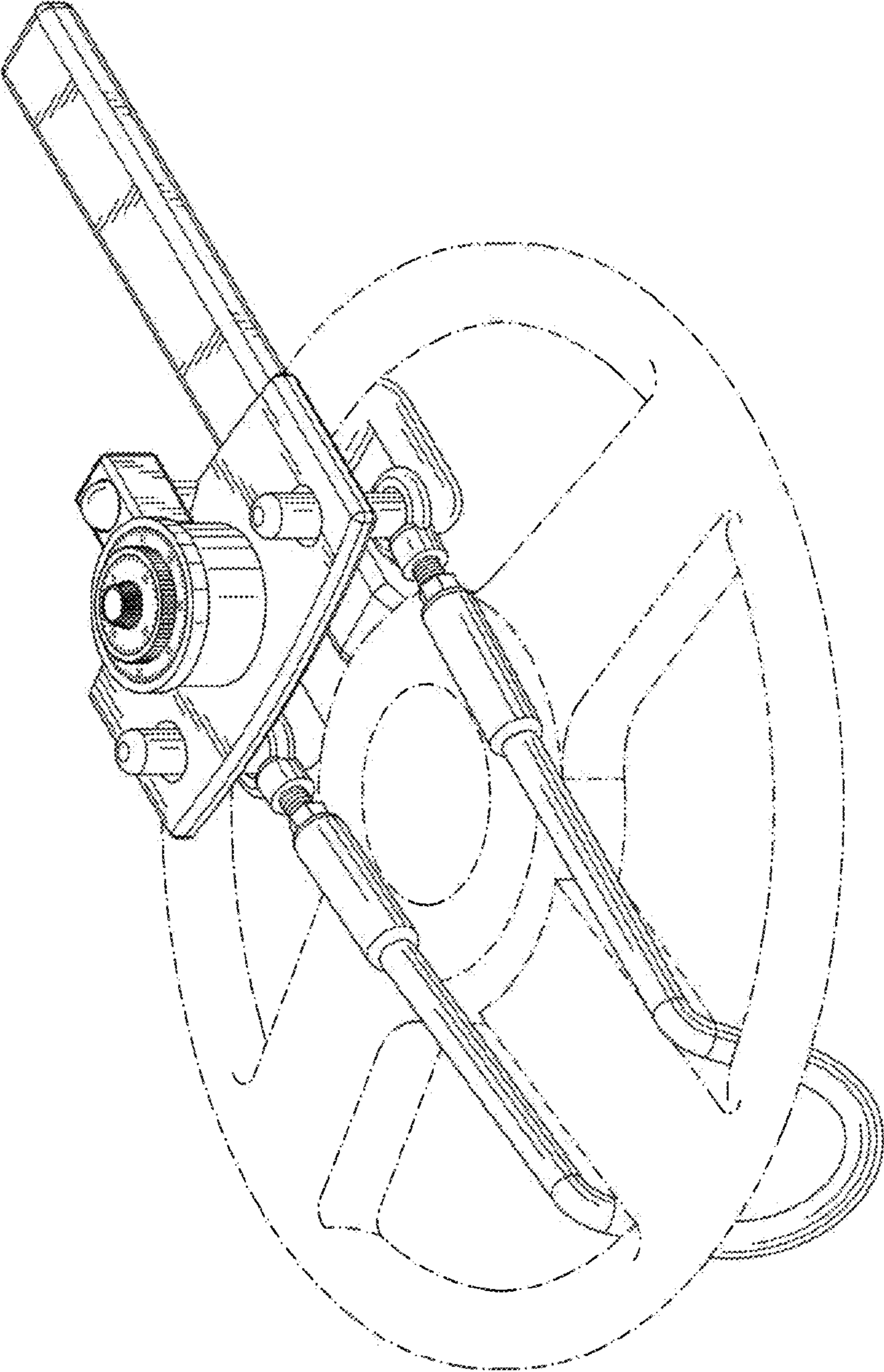


FIG. 8