



US00D704526S

(12) **United States Design Patent**
Weinerman et al.

(10) **Patent No.:** **US D704,526 S**
(45) **Date of Patent:** **** May 13, 2014**

- (54) **HOUSING OF A LATCH ASSEMBLY**
- (71) Applicant: **The Eastern Company**, Cleveland, OH (US)
- (72) Inventors: **Lee S. Weinerman**, Medina, OH (US);
Fredrick L. Putzier, Columbia Station, OH (US)
- (73) Assignee: **The Eastern Company**, Cleveland, OH (US)

D546,165 S	7/2007	Paige et al.	
D548,561 S	8/2007	Paige et al.	
D567,061 S	4/2008	Paige et al.	
7,398,664 B1	7/2008	Weinerman et al.	
D578,373 S	10/2008	Paige et al.	
7,454,933 B1	11/2008	Paige et al.	
D585,468 S	1/2009	Burns	
D590,694 S *	4/2009	Stuckey	D8/331
D596,920 S *	7/2009	Cotton et al.	D8/331
7,748,246 B1	7/2010	Paige et al.	
D624,800 S	10/2010	Burns	
D644,911 S	9/2011	Le	
D678,750 S *	3/2013	Tung	D8/331

(**) Term: **14 Years**

(21) Appl. No.: **29/438,552**

(22) Filed: **Nov. 30, 2012**

(51) **LOC (10) Cl.** **08-07**

(52) **U.S. Cl.**
USPC **D8/331**

(58) **Field of Classification Search**
USPC D8/330, 331, 335, 339, 302, 343;
70/141, 208; 292/336.3, 169, 358, 359,
292/170, 175, 165, 224, 140-145, 240-242,
292/DIG. 14, DIG. 30, DIG. 31, DIG. 4
See application file for complete search history.

(56) **References Cited**

U.S. PATENT DOCUMENTS

4,706,478 A *	11/1987	Swan et al.	70/28
5,913,908 A *	6/1999	Czipri	70/208
5,984,383 A *	11/1999	Parikh et al.	292/121
D427,882 S *	7/2000	Wytcherley et al.	D8/331
6,109,669 A *	8/2000	Pinkow	292/175
6,406,075 B1 *	6/2002	Rice et al.	292/336.3
D506,120 S *	6/2005	Straka et al.	D8/331
D533,048 S *	12/2006	Weinerman et al.	D8/331
D538,131 S	3/2007	Paige et al.	
D545,667 S *	7/2007	Weinerman et al.	D8/331

OTHER PUBLICATIONS

Eberhard Manufacturing Company, division of the Eastern Company, "Catalog 116", 2011, p. 39.

* cited by examiner

Primary Examiner — Prabhakar Deshmukh

(74) *Attorney, Agent, or Firm* — Christopher L. Parmelee; Walker & Jocke

(57) **CLAIM**

The ornamental design for a housing of a latch assembly, as shown and described.

DESCRIPTION

FIG. 1 is a top, front, right side perspective view of a housing of a latch assembly showing our new design.

FIG. 2 is a front view thereof.

FIG. 3 is a right side view thereof, the left side thereof being a mirror image.

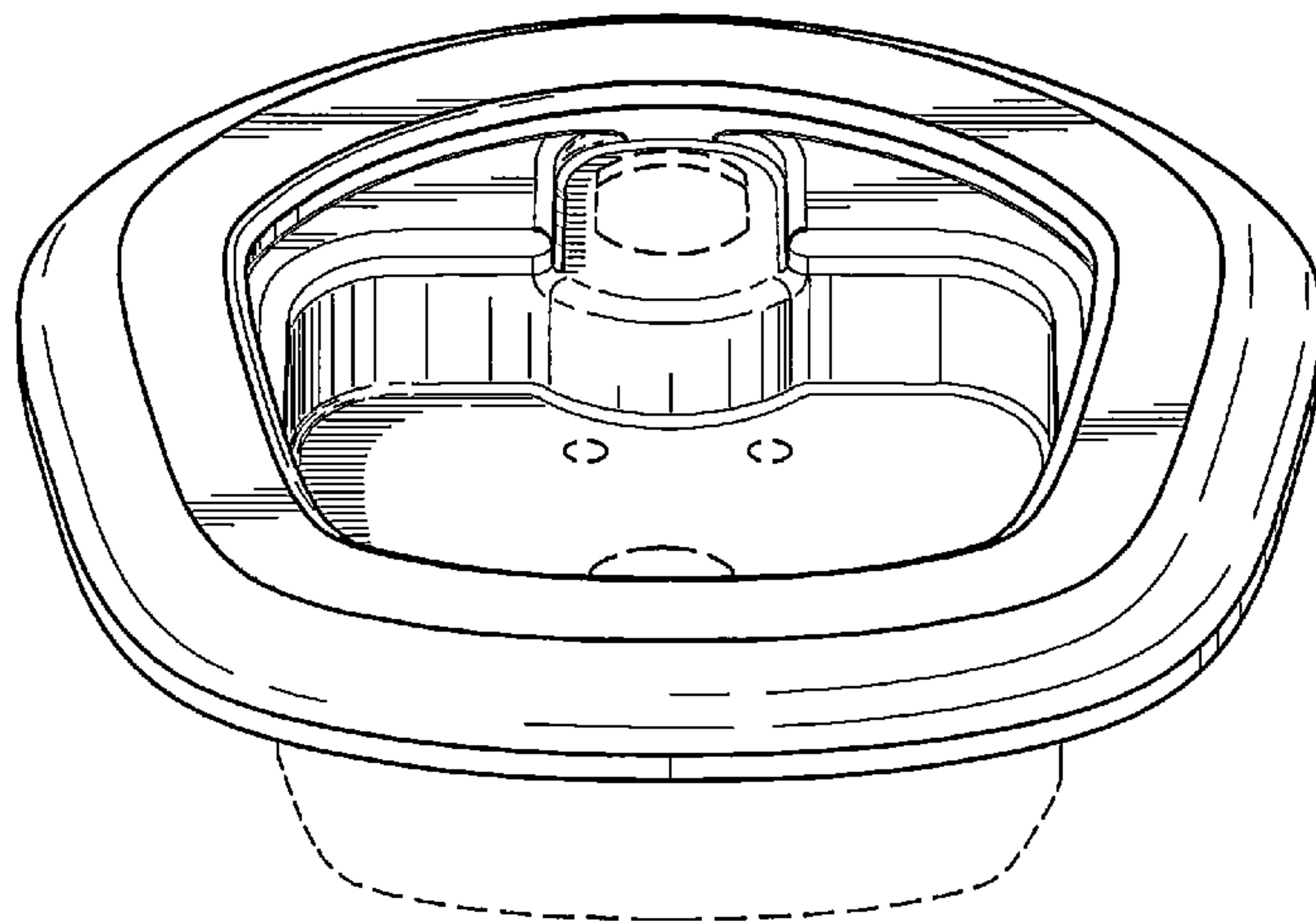
FIG. 4 is a top view thereof.

FIG. 5 is a bottom view thereof; and,

FIG. 6 is a top, front perspective view thereof.

The broken lines indicate unclaimed portions and form no part of the claimed design.

1 Claim, 4 Drawing Sheets



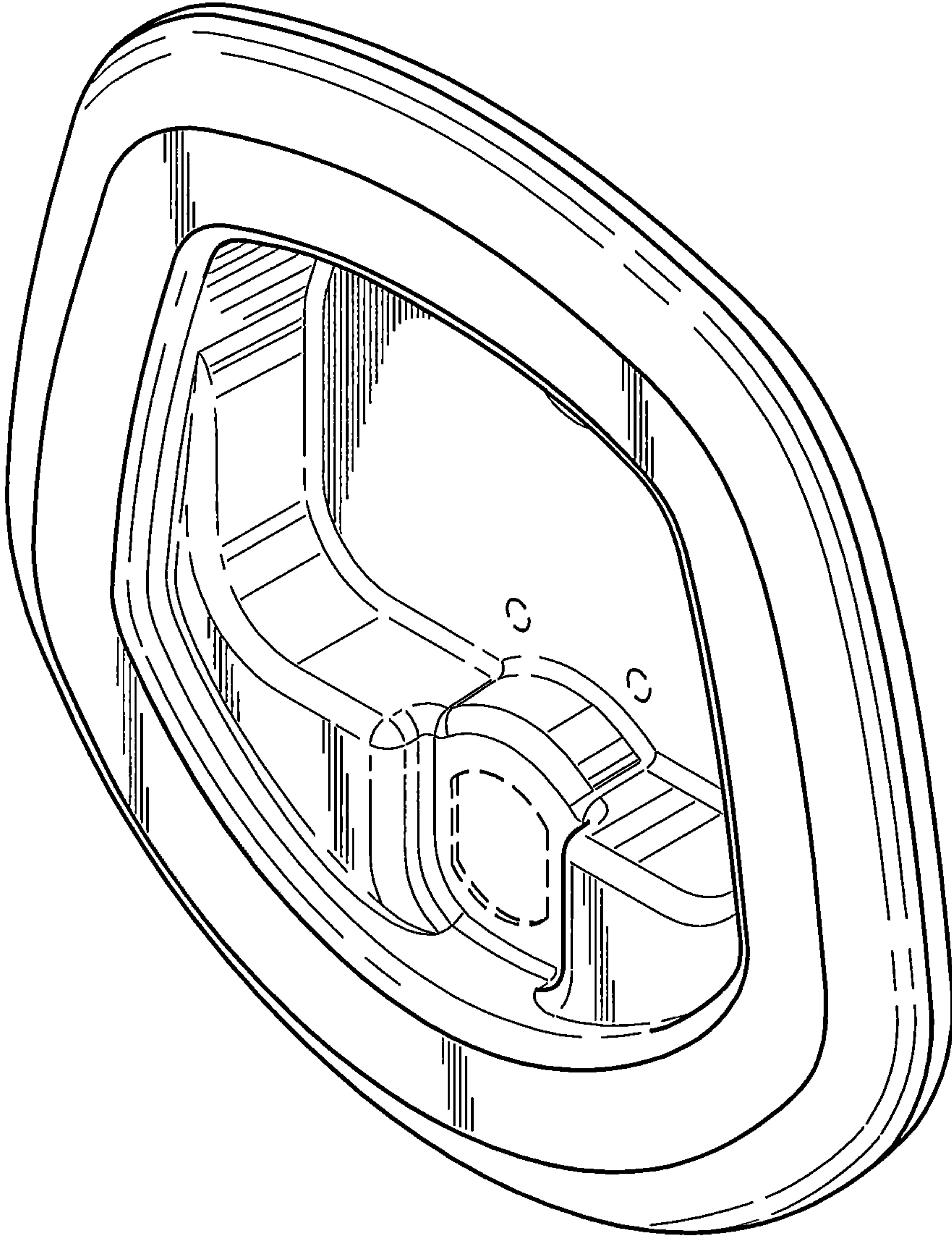


FIG. 1

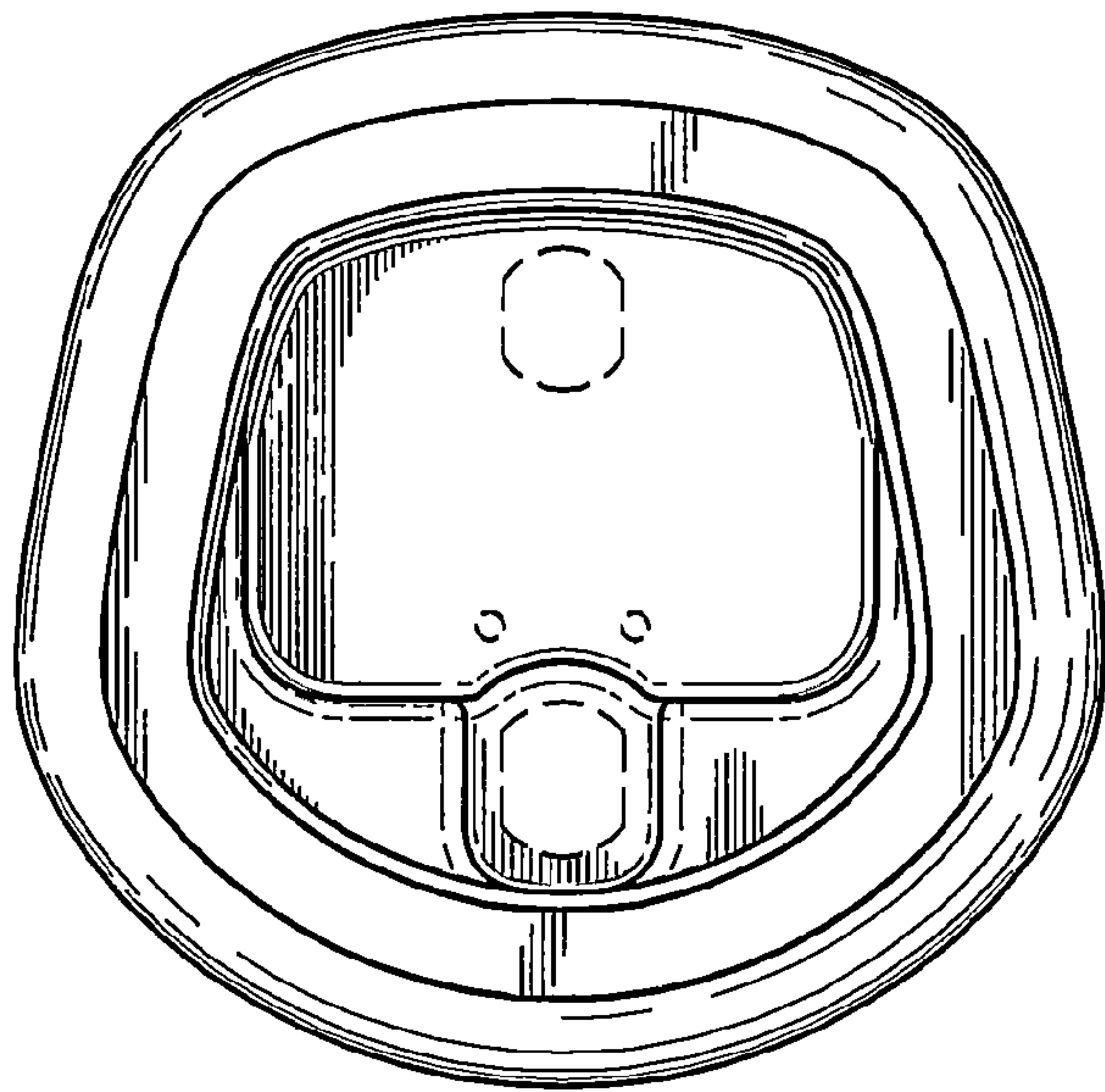


FIG. 2

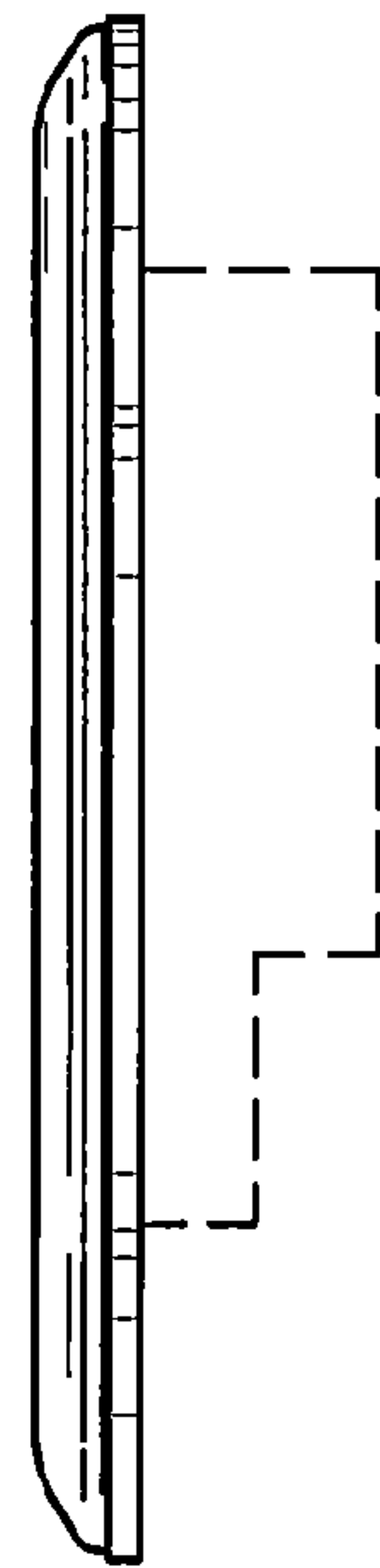


FIG. 3

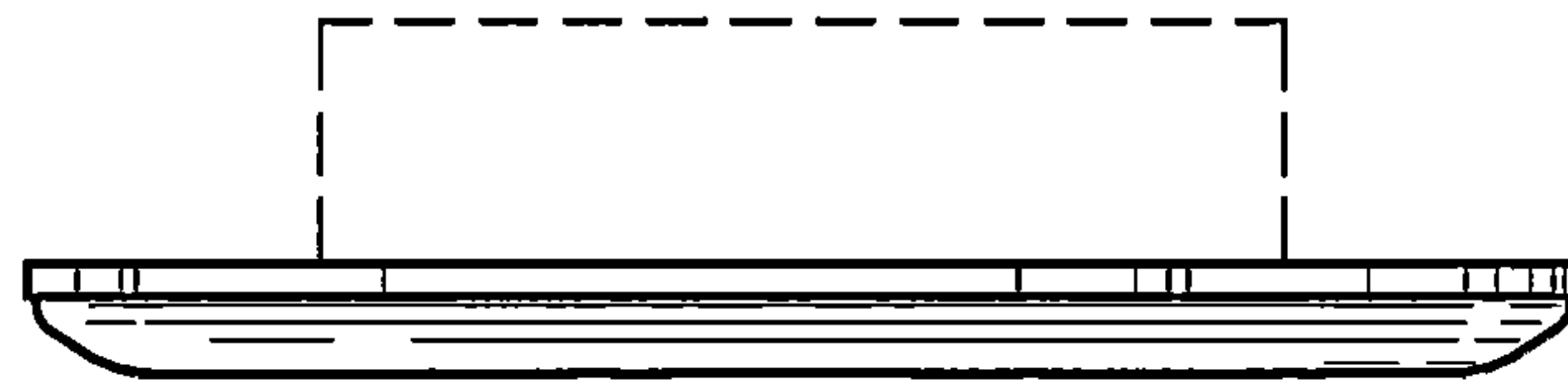


FIG. 4

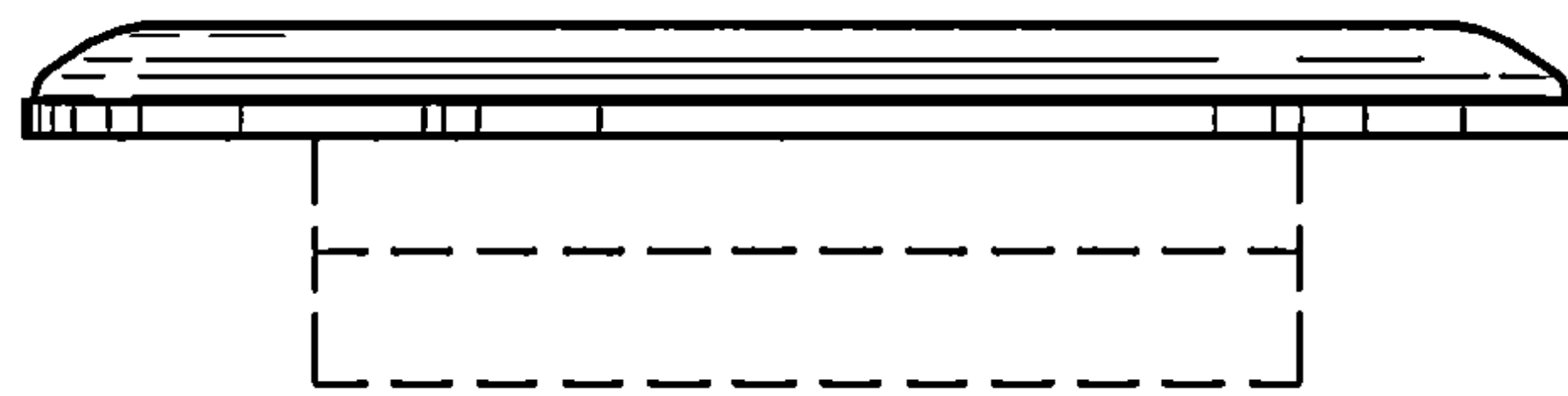


FIG. 5

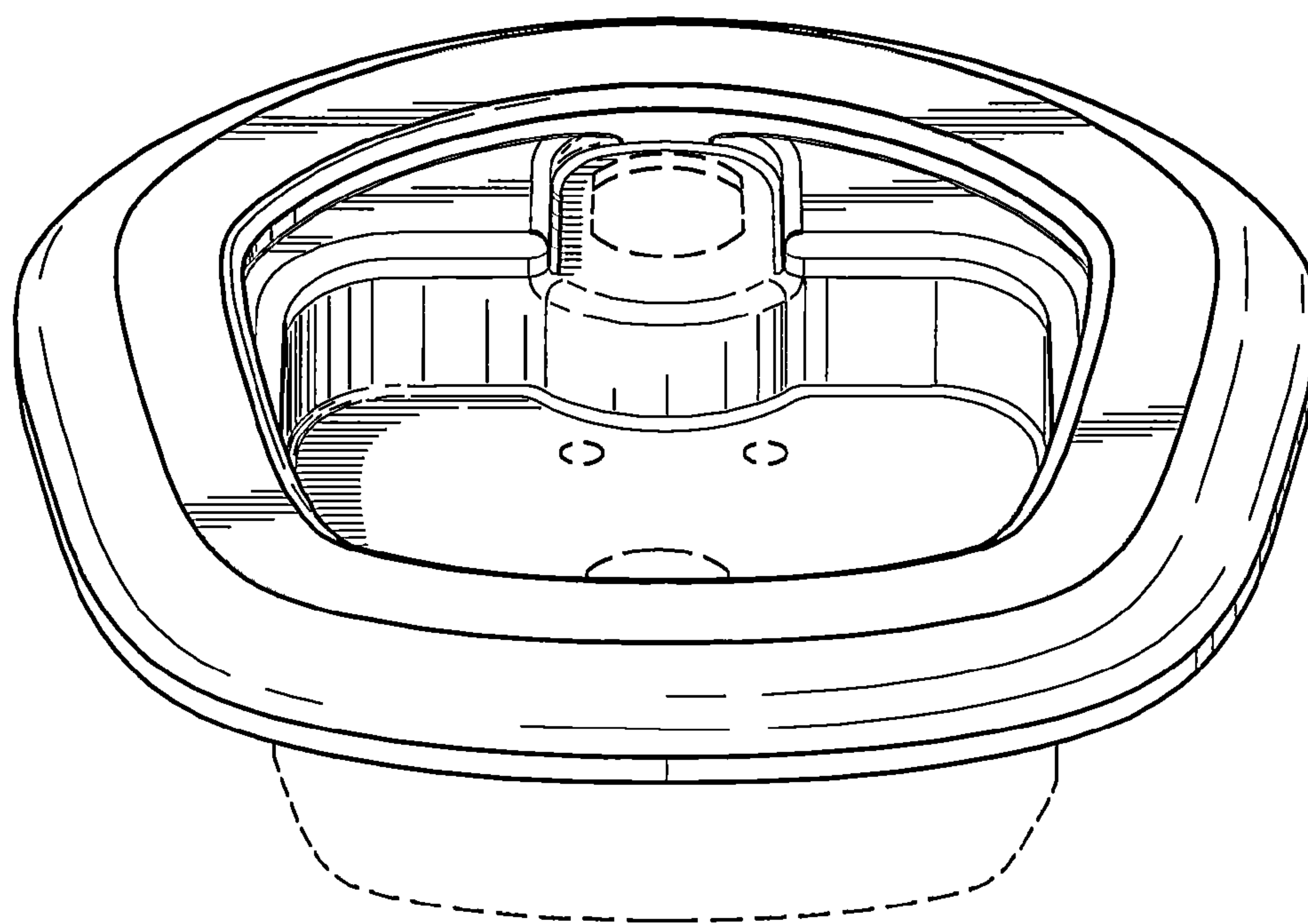


FIG. 6