



US00D704524S

(12) **United States Design Patent**
Steinfels et al.

(10) **Patent No.:** **US D704,524 S**

(45) **Date of Patent:** **** May 13, 2014**

(54) **HEAD OF A PNEUMATIC TOOL**

(71) Applicant: **Stanley Black & Decker, Inc.**, New Britain, CT (US)

(72) Inventors: **Craig R. Steinfels**, Powell, OH (US);
Dustin M. Lee, Worthington, OH (US);
Gregory J. Merz, Gahanna, OH (US);
Mark McMenemy, Westerville, OH (US)

(73) Assignee: **Stanley Black & Decker, Inc.**, New Britain, CT (US)

(**) Term: **14 Years**

(21) Appl. No.: **29/460,571**

(22) Filed: **Jul. 12, 2013**

(51) **LOC (10) Cl.** **08-01**

(52) **U.S. Cl.**
USPC **D8/61**

(58) **Field of Classification Search**
USPC D8/61, 62, 67, 39; 81/57, 57.11, 57.14,
81/57.26, 429, 464, 469; 173/2, 170, 176,
173/181

See application file for complete search history.

(56) **References Cited**

U.S. PATENT DOCUMENTS

| | | | | | | |
|--------------|----|---|---------|--------------|-------|----------|
| D440,848 | S | * | 4/2001 | Izumisawa | | D8/61 |
| 6,640,669 | B2 | * | 11/2003 | Izumisawa | | 81/57.39 |
| D496,568 | S | * | 9/2004 | Izumisawa | | D8/25 |
| D527,593 | S | * | 9/2006 | Price et al. | | D8/61 |
| 7,121,167 | B1 | * | 10/2006 | Miner | | 81/57.39 |
| D576,460 | S | * | 9/2008 | Price et al. | | D8/61 |
| D624,380 | S | * | 9/2010 | Rane et al. | | D8/61 |
| 2005/0211026 | A1 | * | 9/2005 | Cheng | | 81/57.39 |

* cited by examiner

Primary Examiner — Austin Murphy

(74) *Attorney, Agent, or Firm* — Richard J. Veltman; Adan Ayala

(57) **CLAIM**

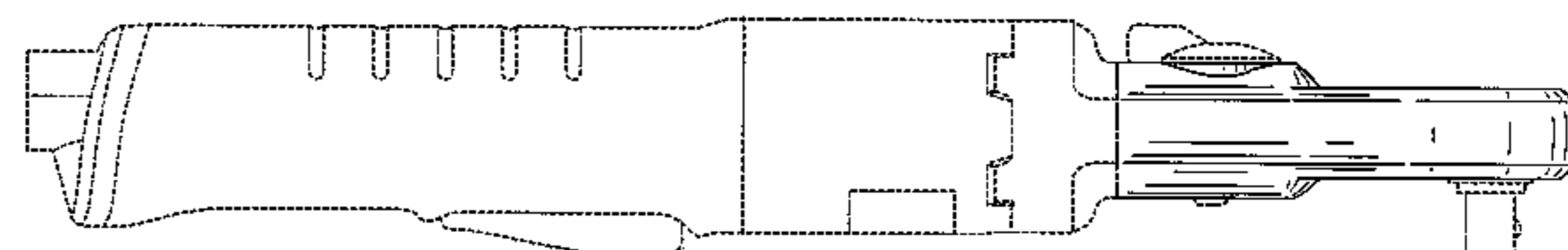
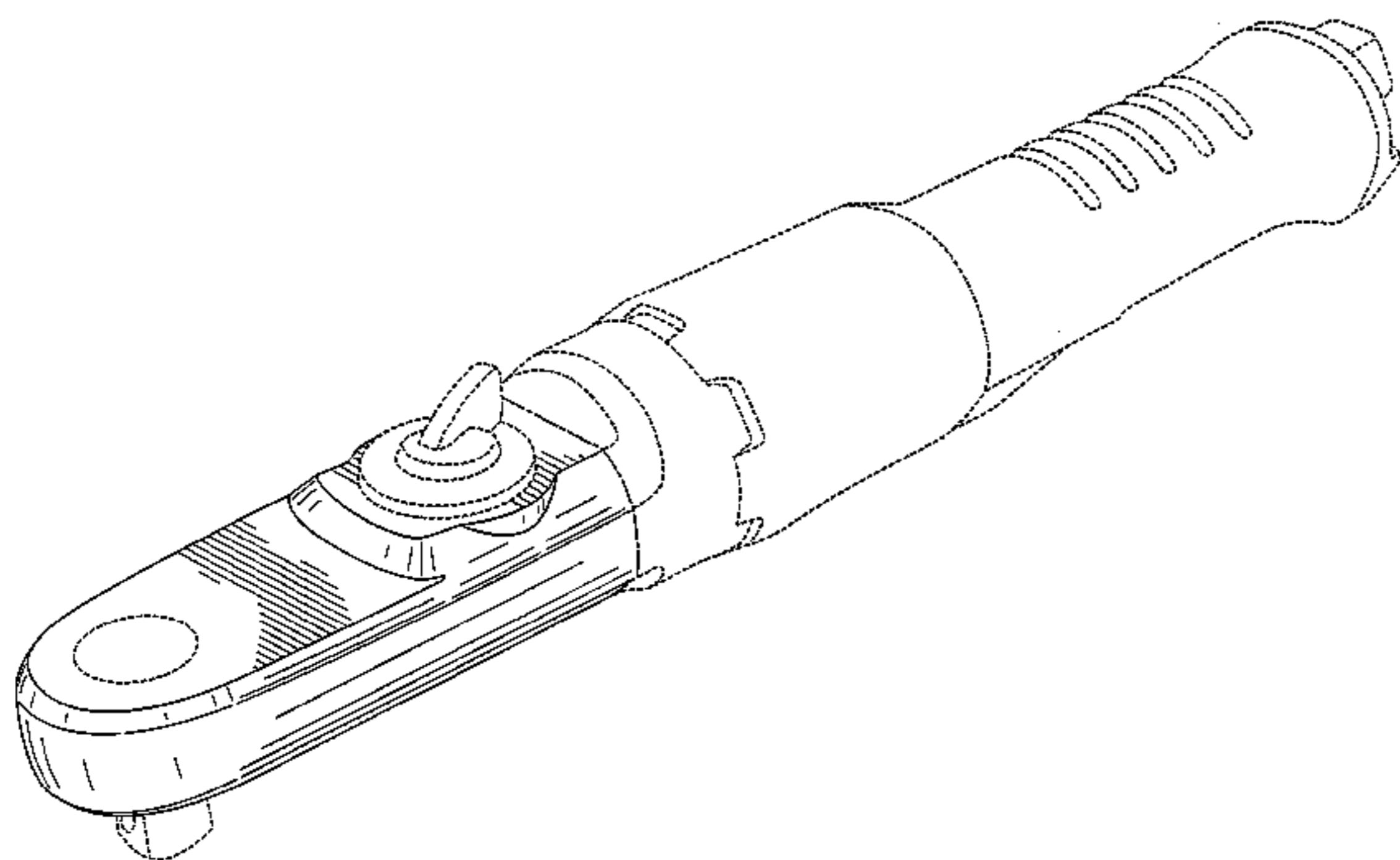
The ornamental design for a head of a pneumatic tool, as shown.

DESCRIPTION

FIG. 1 is a perspective view of a head of a pneumatic tool showing a new design;
FIG. 2 is a top view thereof;
FIG. 3 is a bottom view thereof;
FIG. 4 a right side view thereof;
FIG. 5 is a left side view thereof;
FIG. 6 is a front view thereof; and,
FIG. 7 is a back view thereof.

The broken lines in the Figures are for illustrative purposes only and form no part of the claimed design.

1 Claim, 4 Drawing Sheets



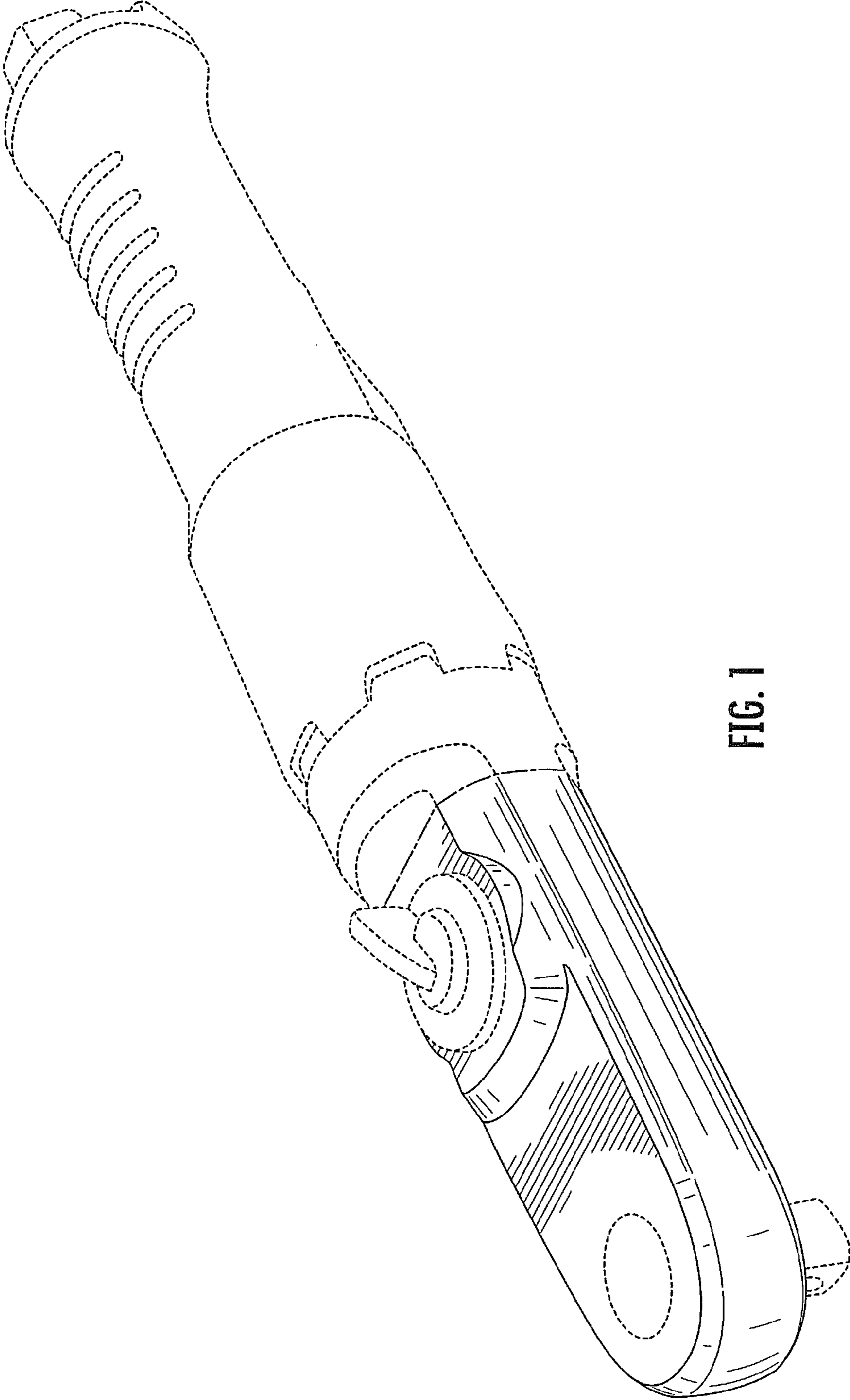


FIG. 1

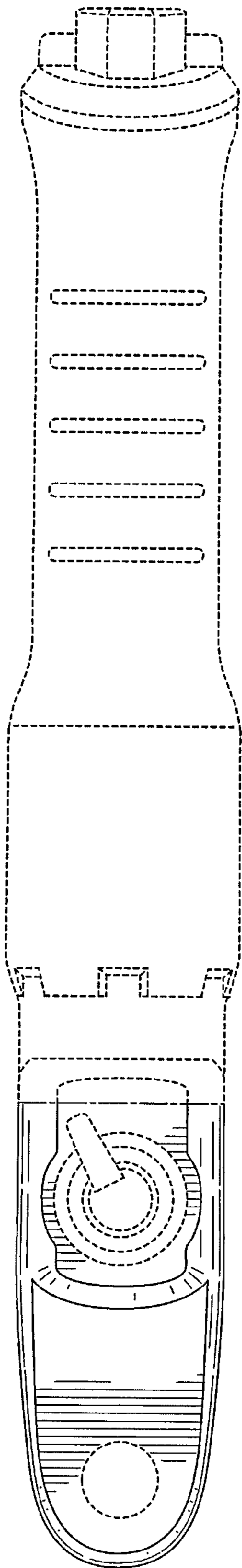


FIG. 2

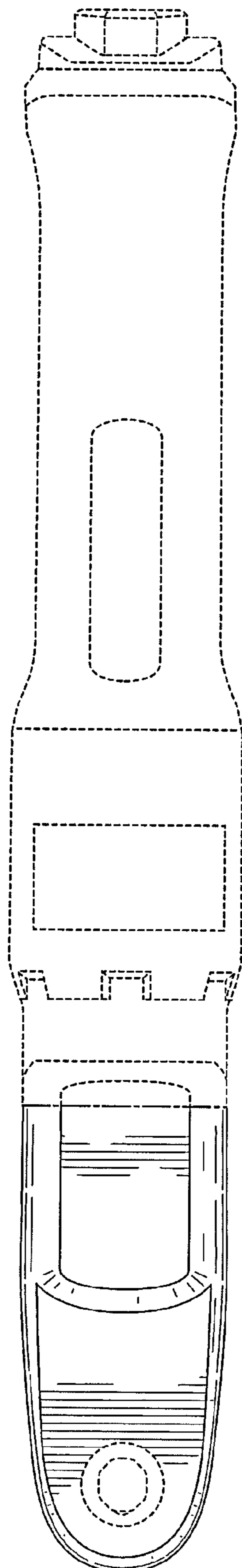


FIG. 3

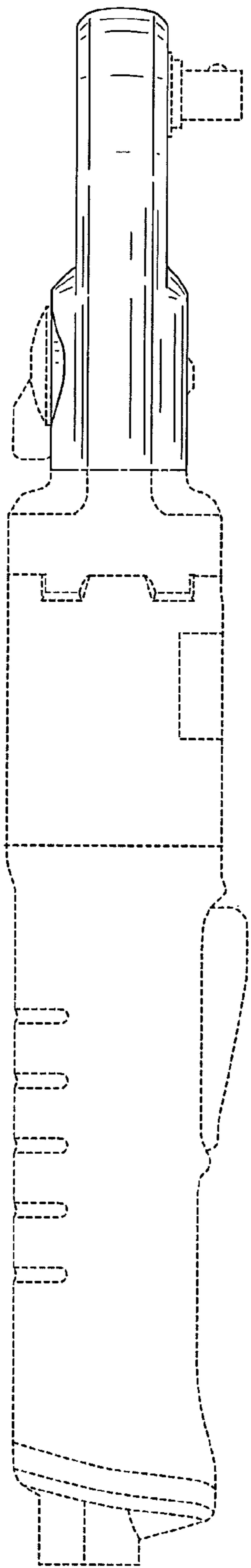


FIG. 4

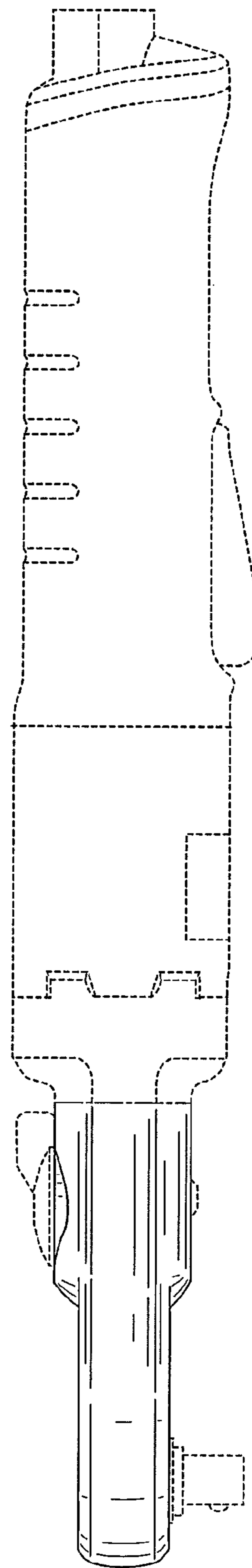


FIG. 5

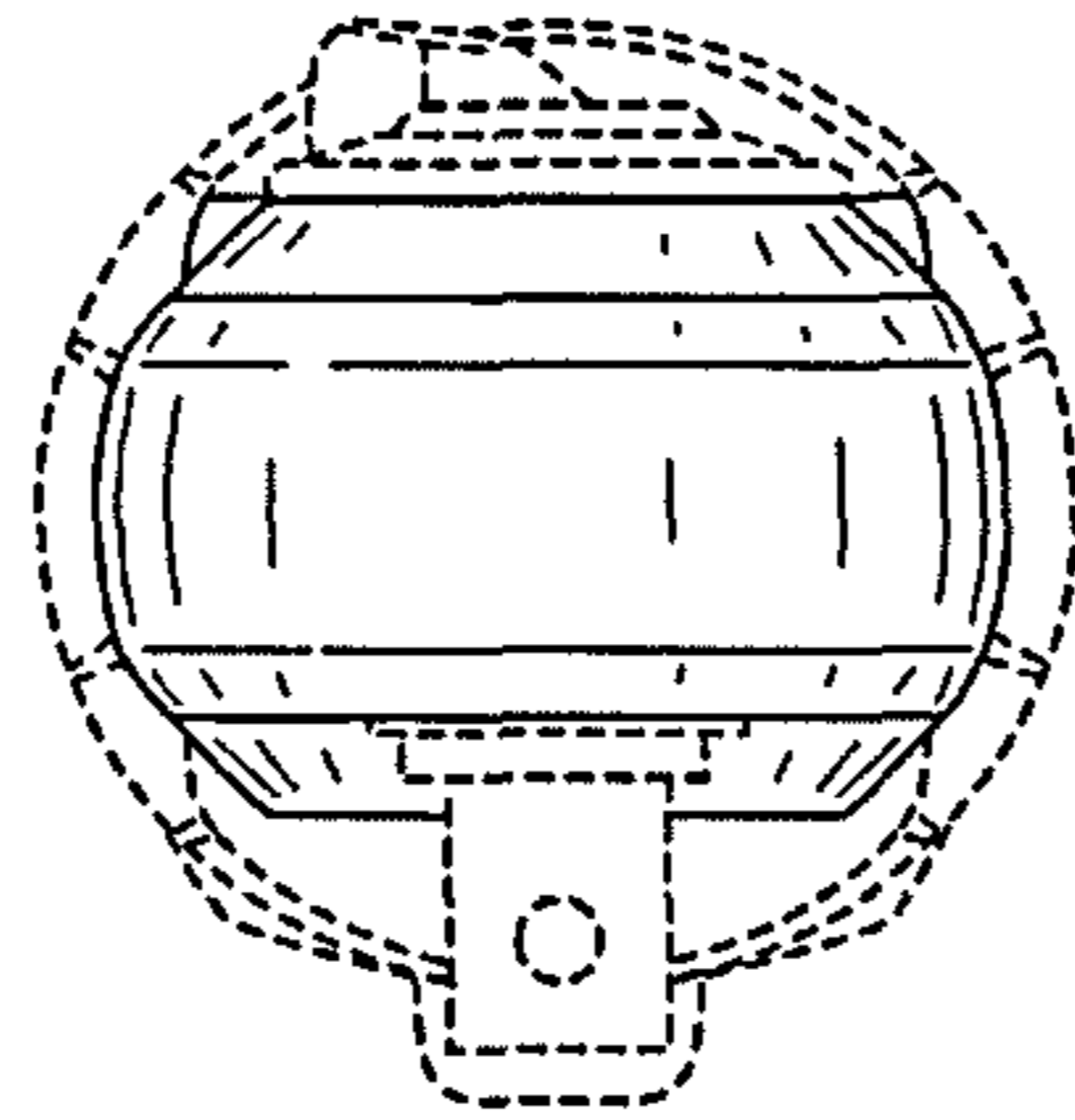


FIG. 6

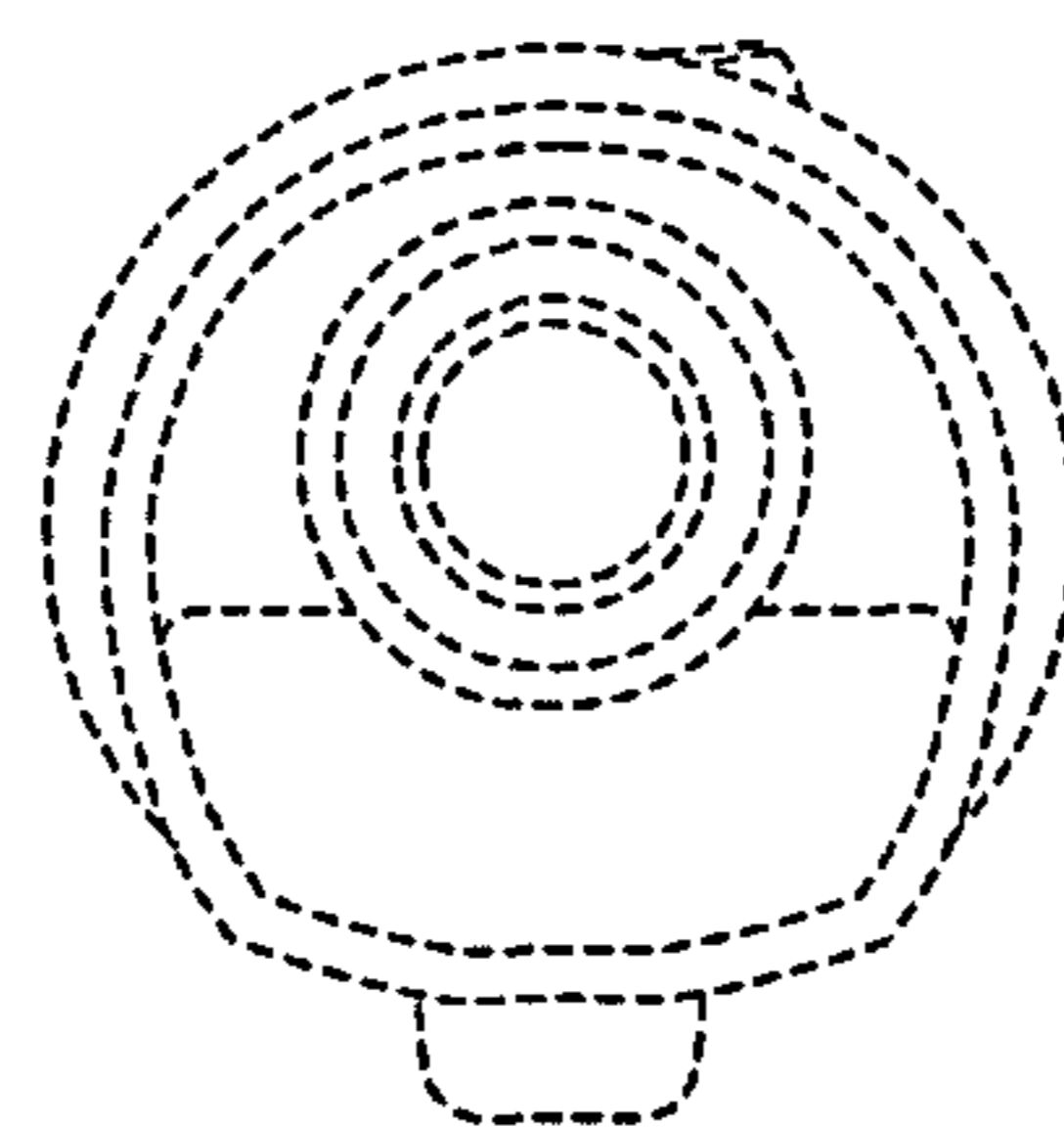


FIG. 7