



US00D704523S

(12) **United States Design Patent**
Sramek et al.

(10) **Patent No.:** **US D704,523 S**

(45) **Date of Patent:** **** May 13, 2014**

(54) **PLIERS GRIP**

(75) Inventors: **Steve Sramek**, Long Beach, CA (US);
Jamie W. Nash, Lake Tapps, WA (US)

(73) Assignee: **Wilmar Corporation**, Renton, WA (US)

(**) Term: **14 Years**

(21) Appl. No.: **29/404,035**

(22) Filed: **Oct. 14, 2011**

(51) **LOC (10) Cl.** **08-05**

(52) **U.S. Cl.**
USPC **D8/52**

(58) **Field of Classification Search**
USPC D8/51, 52, 4, 5, 98, 107; 30/287, 257,
30/251-254, 191-192, 261-262
See application file for complete search history.

(56) **References Cited**

U.S. PATENT DOCUMENTS

D391,127 S *	2/1998	Yeh	D8/5
D395,217 S *	6/1998	Start	D8/52
D468,988 S *	1/2003	Goldmann et al.	D8/107
D486,716 S *	2/2004	Levine et al.	D8/107
D494,040 S *	8/2004	Phillips	D8/107
D521,348 S *	5/2006	Walker	D8/107
D523,723 S *	6/2006	Walker	D8/107

D532,267 S *	11/2006	Chen	D8/52
D532,662 S *	11/2006	Chang	D8/52
D537,309 S *	2/2007	Wang	D8/52

* cited by examiner

Primary Examiner — Sheryl Lane

(74) *Attorney, Agent, or Firm* — Condo Roccia Koptiw LLP

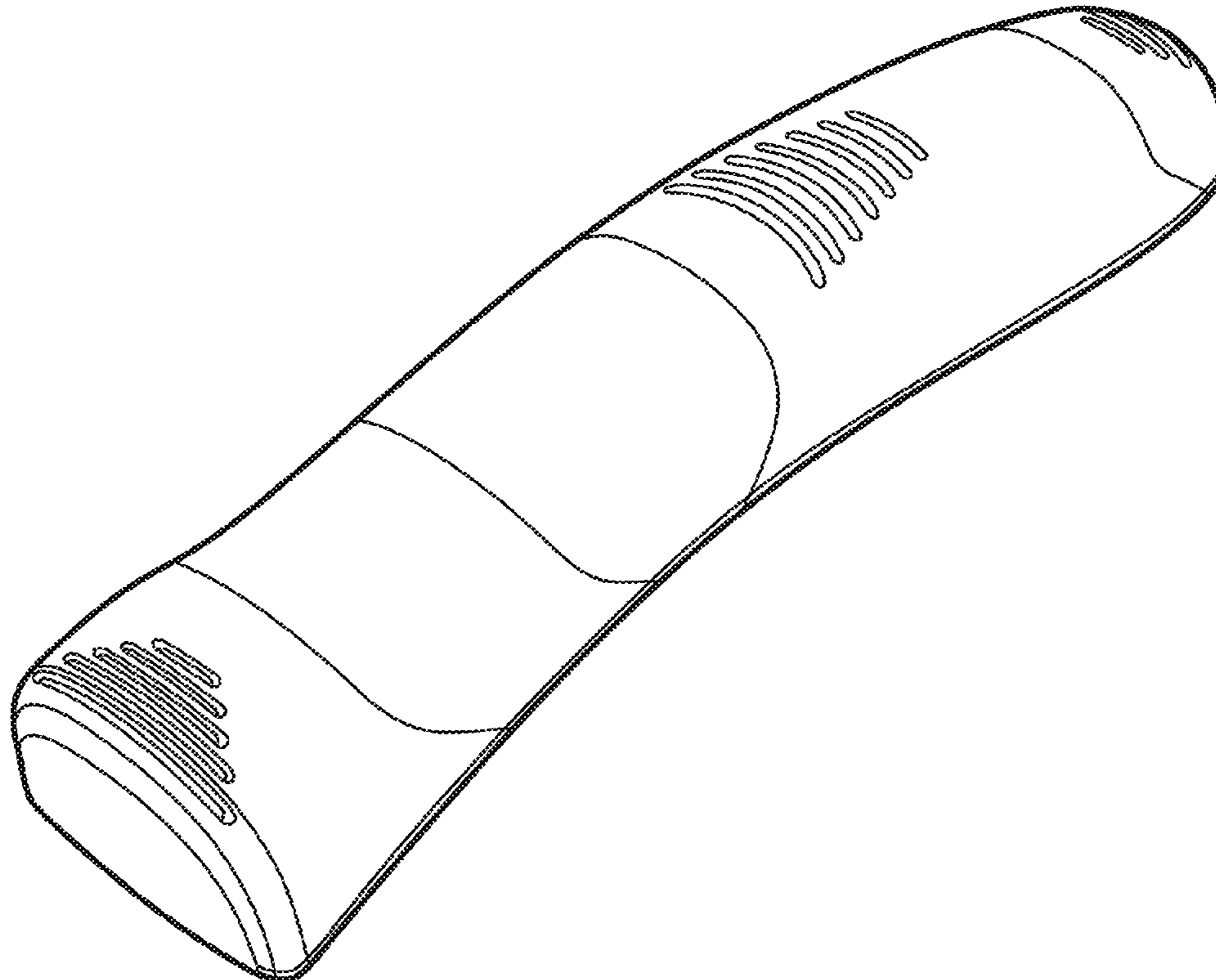
(57) **CLAIM**

We claim the ornamental design for a pliers grip, as shown and described.

DESCRIPTION

FIG. 1 is a first perspective view of an embodiment of a pliers grip embodying our design;
FIG. 2 is a second perspective view of the pliers grip of FIG. 1;
FIG. 3 is a third perspective view of the pliers grip of FIG. 1;
FIG. 4 is a top view of the pliers grip of FIG. 1;
FIG. 5 is side view of the pliers grip of FIG. 1;
FIG. 6 is bottom view of the pliers grip of FIG. 1;
FIG. 7 is first end view of the pliers grip of FIG. 1; and,
FIG. 8 is a second end view of the pliers grip of FIG. 1.
The scale shown in the drawings is for illustrative purposes only and forms no part of the claimed design.

1 Claim, 8 Drawing Sheets



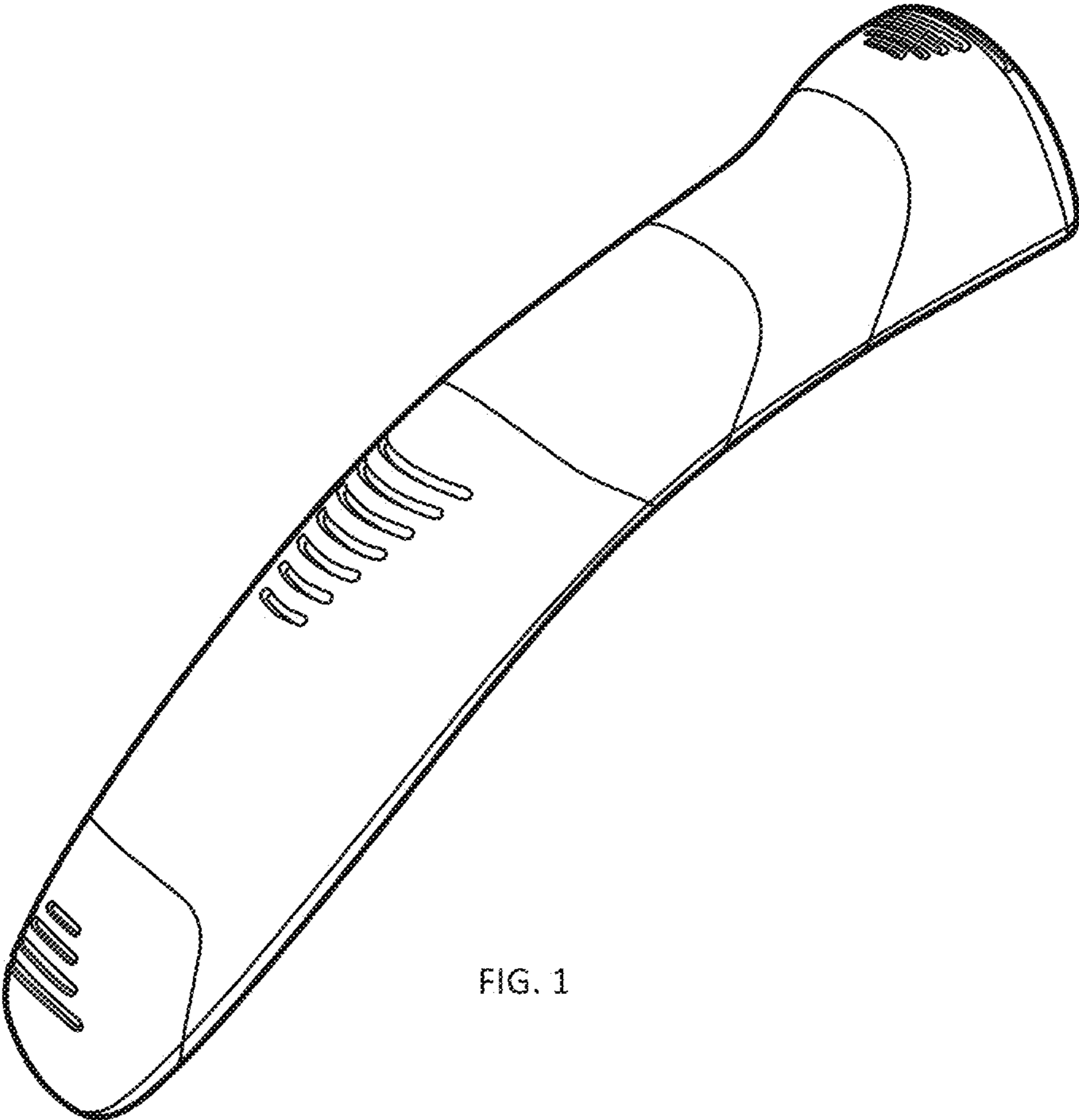


FIG. 1

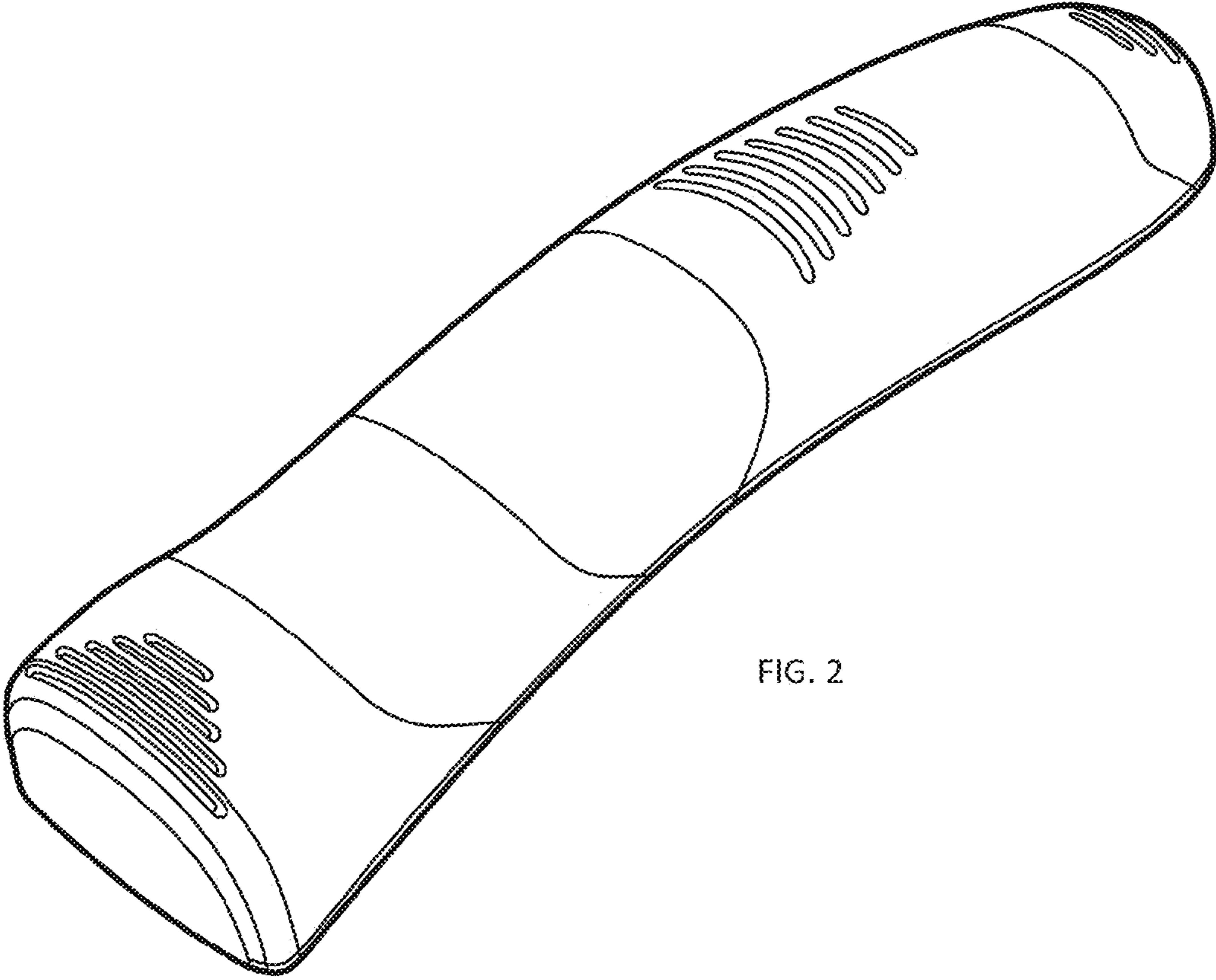


FIG. 2

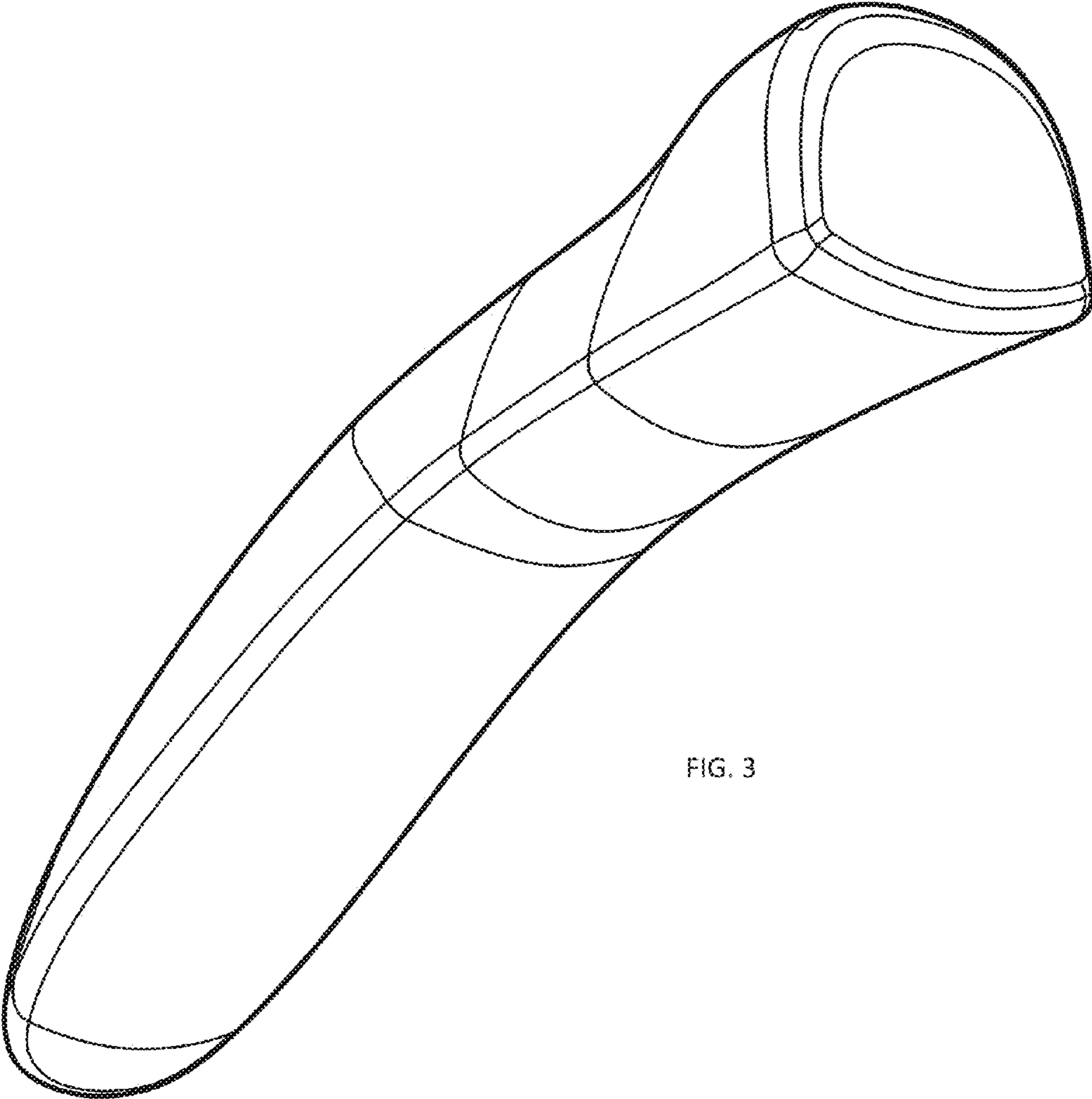


FIG. 3

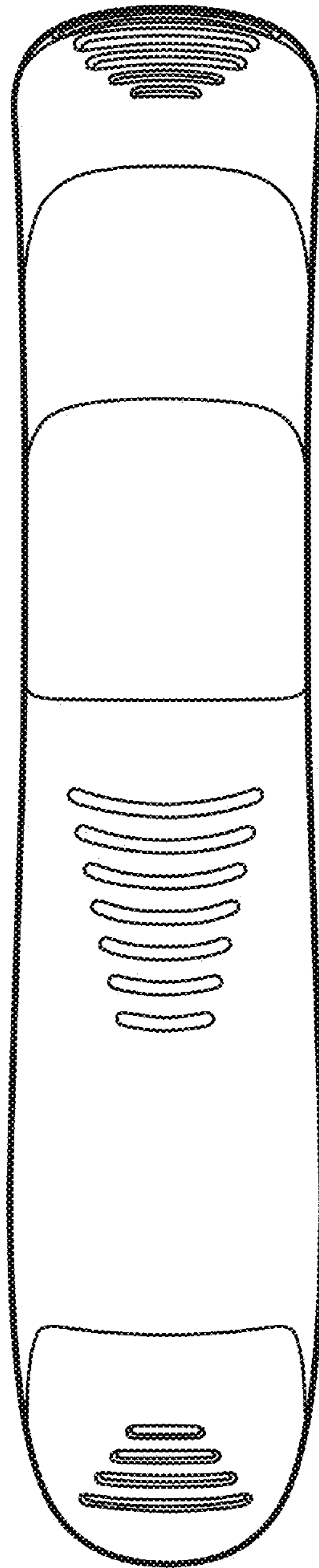


FIG. 4

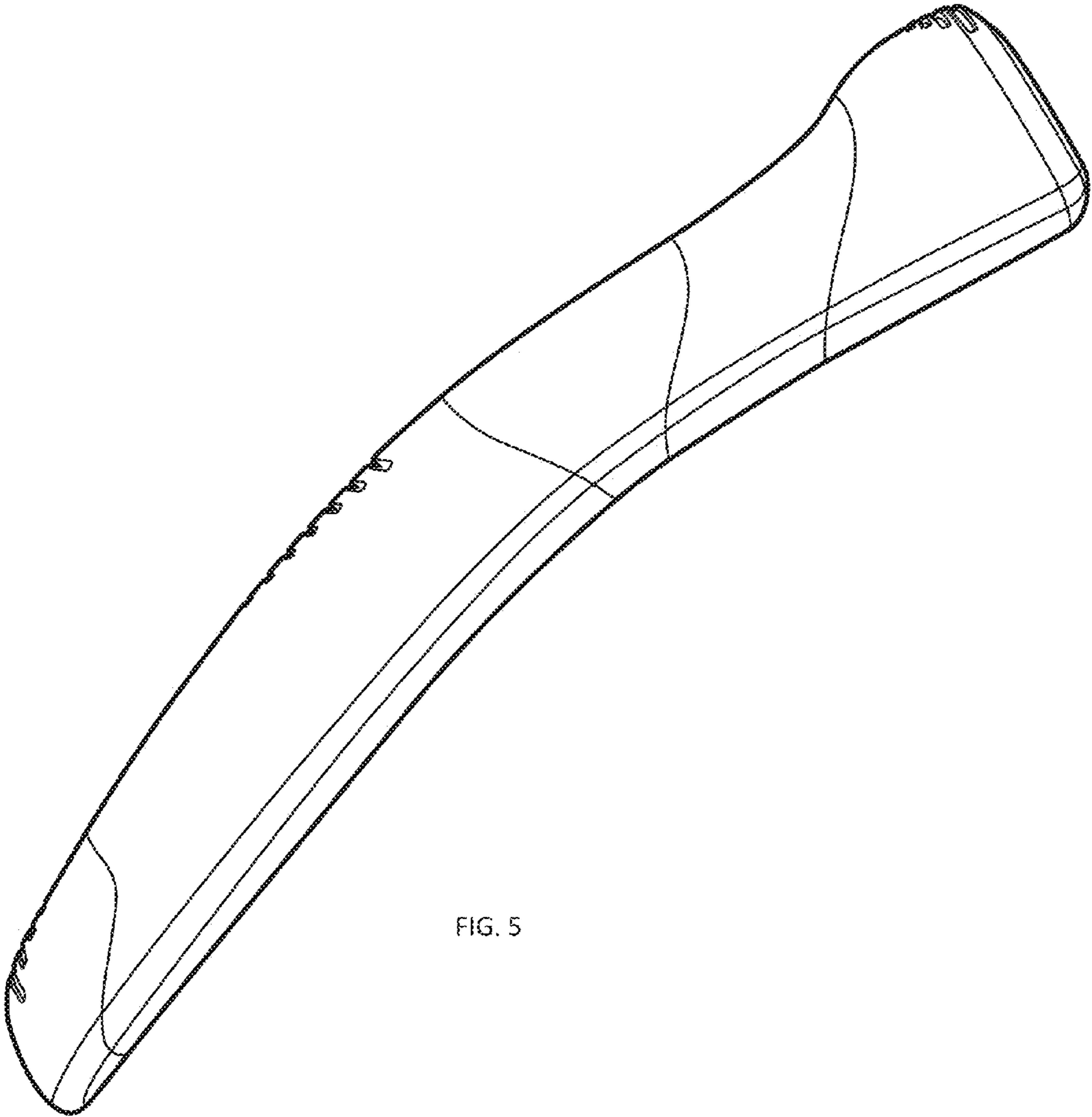


FIG. 5

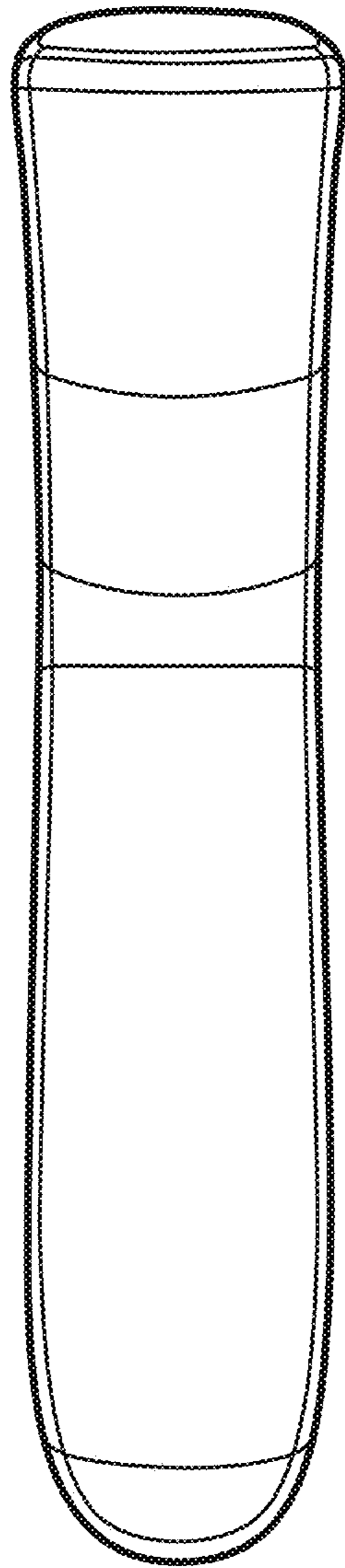


FIG. 6

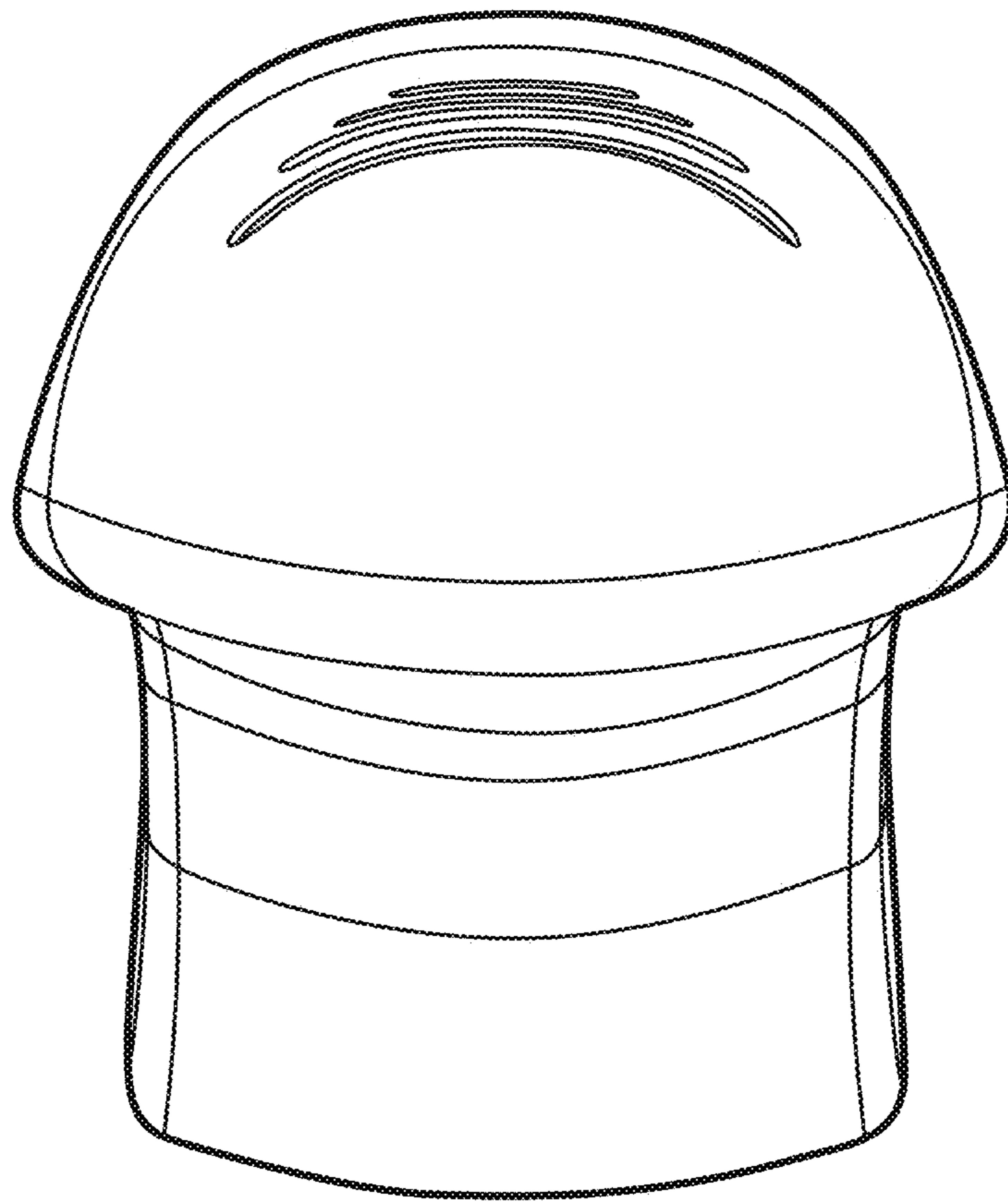


FIG. 7

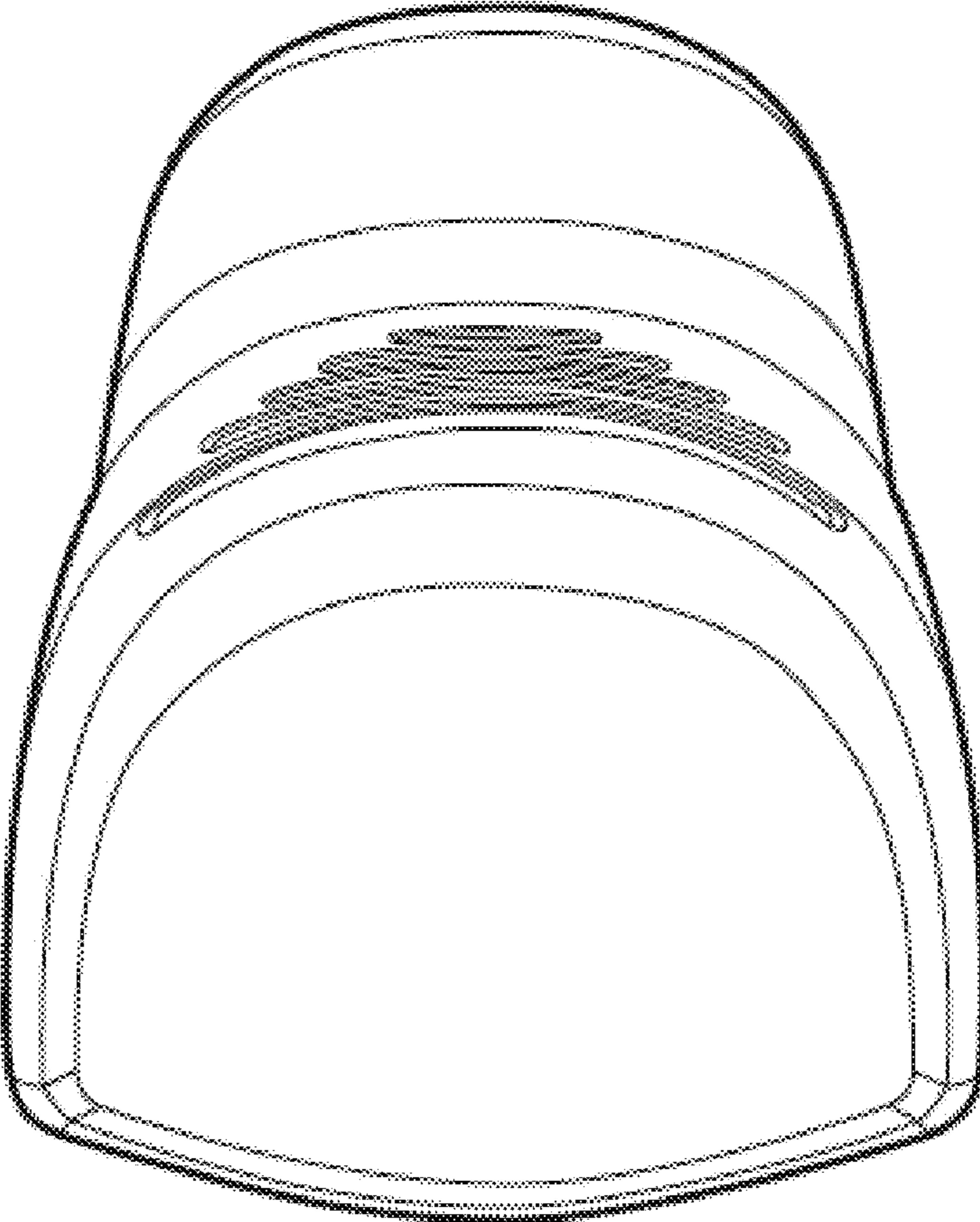


FIG. 8