



US00D704520S

(12) **United States Design Patent**
Lyytikäinen et al.

(10) **Patent No.:** **US D704,520 S**
(45) **Date of Patent:** **** May 13, 2014**

(54) **GARDEN LOPPER**

(71) Applicant: **Fiskars Brands Finland Oy Ab**, Billnäs (FI)

(72) Inventors: **Sami Lyytikäinen**, Lohja (FI); **Markus Onnela**, Helsinki (FI); **Olli-Pekka Väänttilä**, Lohja (FI); **Petteri Masalin**, Helsinki (FI)

(73) Assignee: **Fiskars Brands Finland Oy Ab**, Billnäs (FI)

(**) Term: **14 Years**

(21) Appl. No.: **29/456,728**

(22) Filed: **Jun. 3, 2013**

(30) **Foreign Application Priority Data**

Dec. 17, 2012 (EM) 002154146-0001

(51) **LOC (10) Cl.** **08-01**

(52) **U.S. Cl.**
USPC **D8/5**

(58) **Field of Classification Search**
USPC D8/4, 5; 30/251–252, 261–262, 266
See application file for complete search history.

(56) **References Cited**

U.S. PATENT DOCUMENTS

5,020,222 A 6/1991 Gosselin et al.
D344,218 S 2/1994 Wensley et al.
D344,219 S 2/1994 Wensley et al.
D357,390 S * 4/1995 Thompson et al. D8/5
5,570,510 A 11/1996 Linden
5,689,888 A 11/1997 Linden

D405,663 S * 2/1999 Deville D8/5
D464,543 S * 10/2002 Deville D8/5
D494,027 S * 8/2004 Lin D8/5
D494,430 S * 8/2004 Lin D8/5
D500,941 S * 1/2005 Tatic D8/5
D501,765 S * 2/2005 Tatic D8/5
D510,002 S * 9/2005 Lai D8/5
7,441,337 B2 10/2008 Linden et al.

(Continued)

OTHER PUBLICATIONS

U.S. Appl. No. 29/424,455, filed Jun. 12, 2012, Masalin et al.

(Continued)

Primary Examiner — Sheryl Lane

(74) *Attorney, Agent, or Firm* — Foley & Lardner LLP

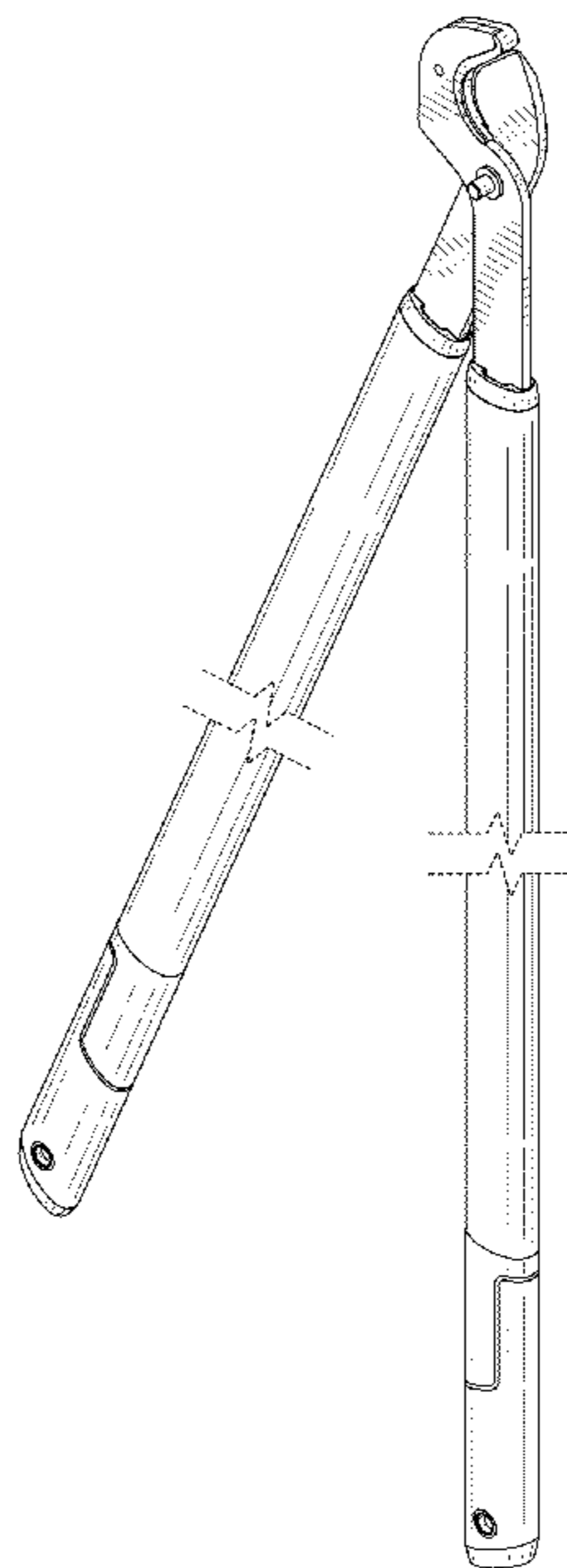
(57) **CLAIM**

We claim the ornamental design for a garden lopper, as shown and described.

DESCRIPTION

FIG. 1 is a front perspective view of the claimed design;
FIG. 2 is a rear perspective view of the claimed design of FIG. 1;
FIG. 3 is a rear elevation perspective view of the claimed design of FIG. 1;
FIG. 4 is front elevation view of the claimed design of FIG. 1;
FIG. 5 is a left side view of the claimed design of FIG. 1;
FIG. 6 is a right side view of the claimed design of FIG. 1;
FIG. 7 is a top view of the claimed design of FIG. 1; and,
FIG. 8 is a bottom view of the claimed design of FIG. 1.
The article is shown with a symbolic break in its length. The appearance of any portion of the article between the break lines forms no part of the claimed design.

1 Claim, 6 Drawing Sheets



(56)

References Cited

OTHER PUBLICATIONS

U.S. PATENT DOCUMENTS

D606,816 S * 12/2009 Deville D8/5
D635,418 S * 4/2011 Huang D8/5
D646,534 S * 10/2011 Deville D8/5
8,046,924 B2 11/2011 Block et al.
8,220,164 B2 7/2012 Linden et al.
D684,828 S * 6/2013 Masalin et al. D8/5

U.S. Appl. No. 29/445,689, filed Feb. 14, 2013, Fiskars Brands Finland Oy Ab.

U.S. Appl. No. 29/445,690, filed Feb. 14, 2013, Fiskars Brands Finland Oy Ab.

* cited by examiner

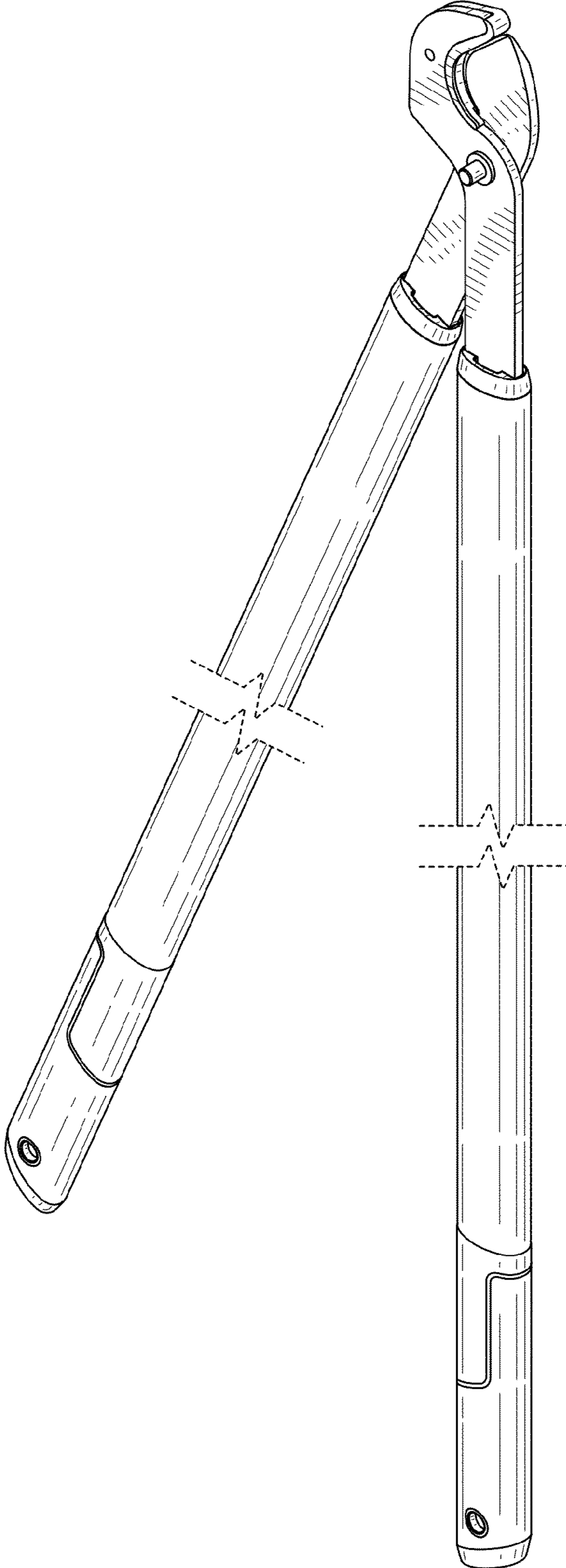


FIG. 1

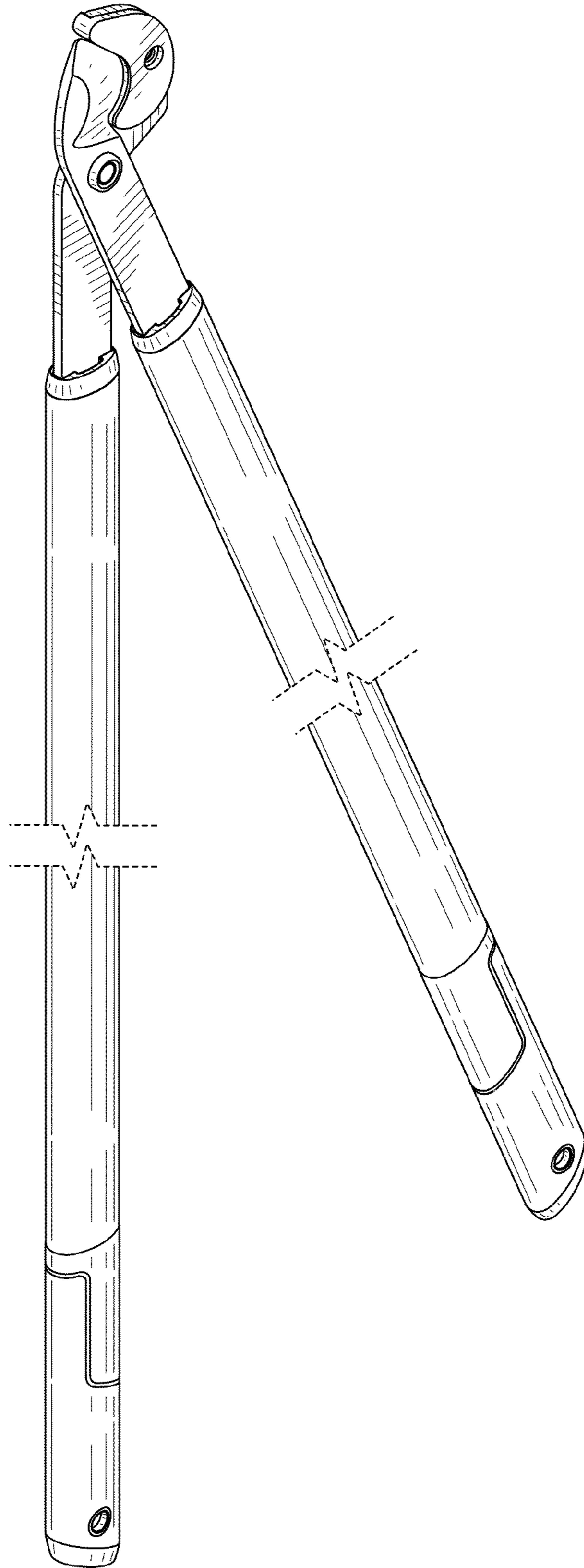


FIG. 2

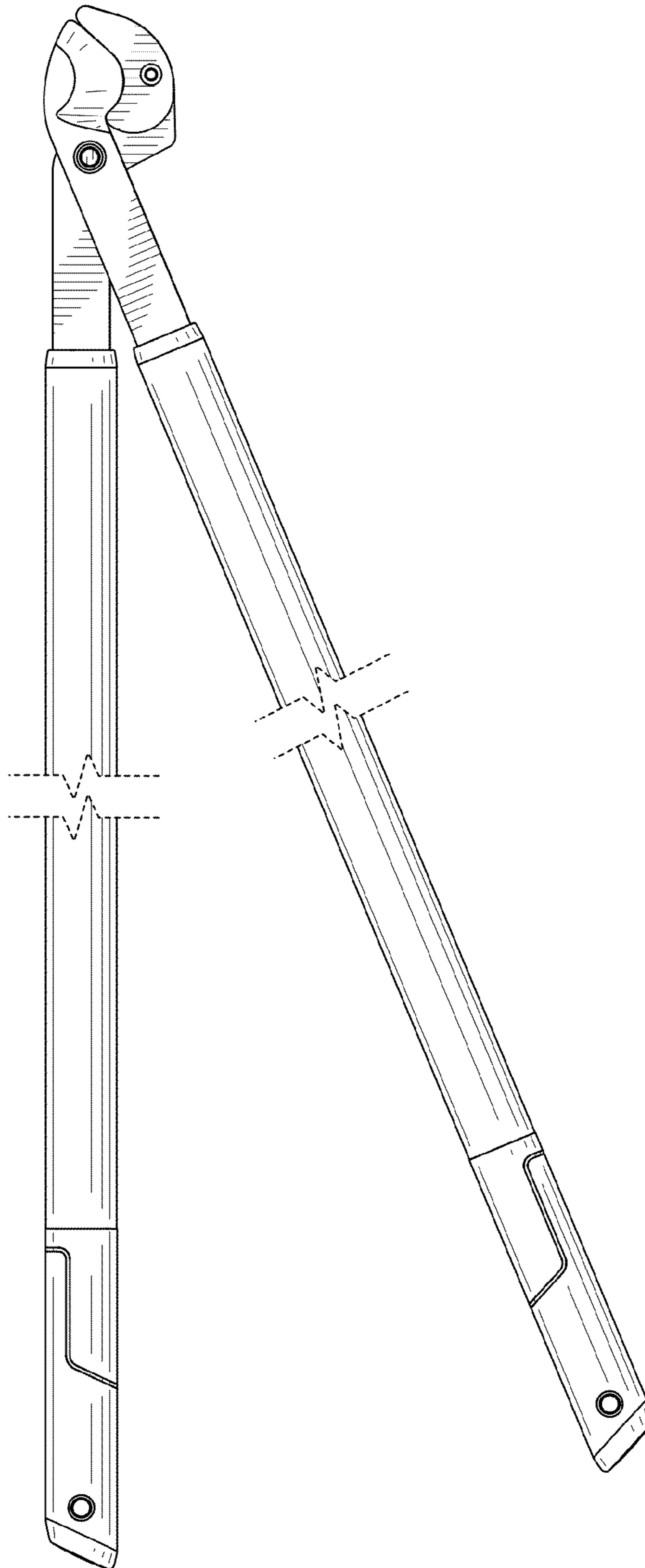


FIG. 3

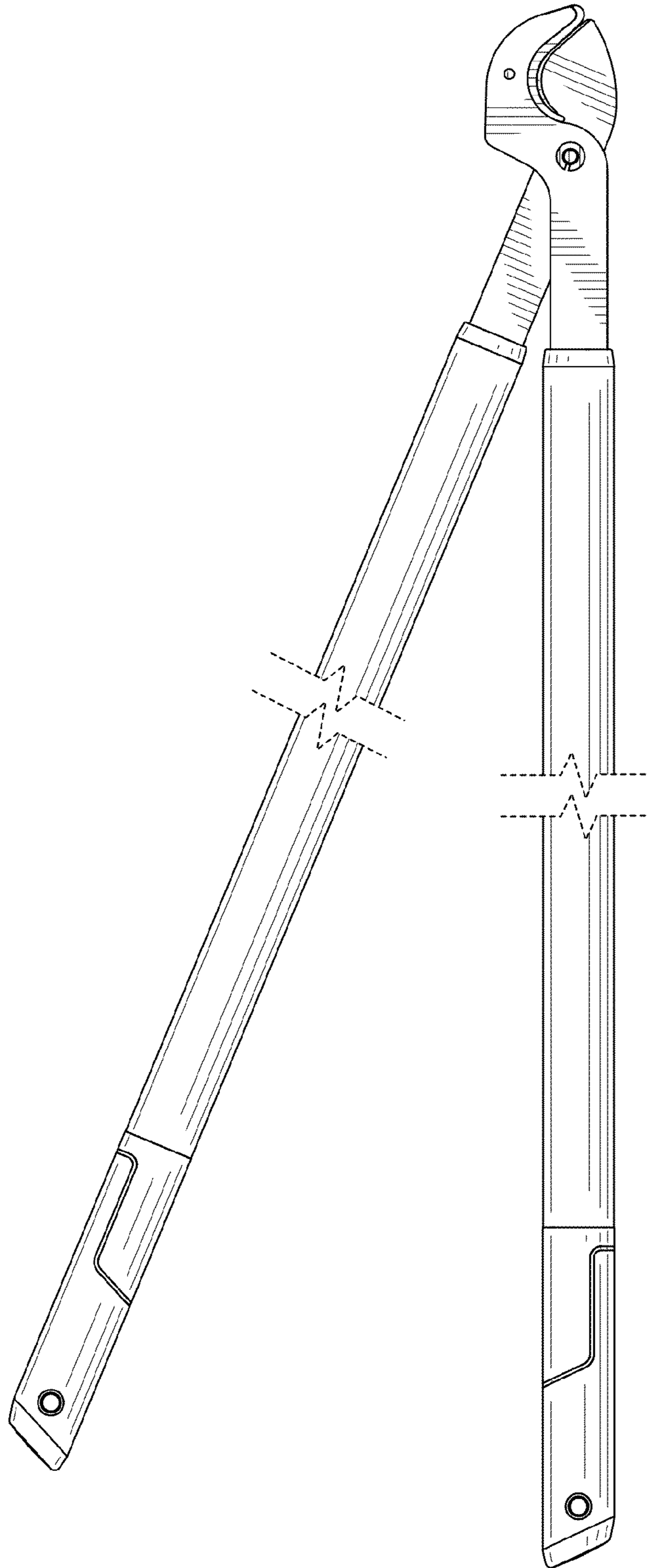


FIG. 4

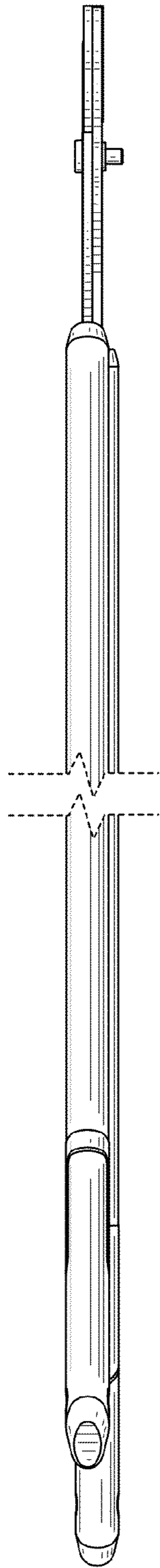


FIG. 5

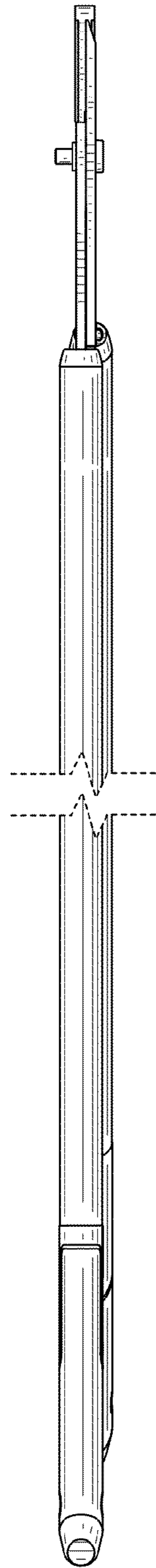


FIG. 6

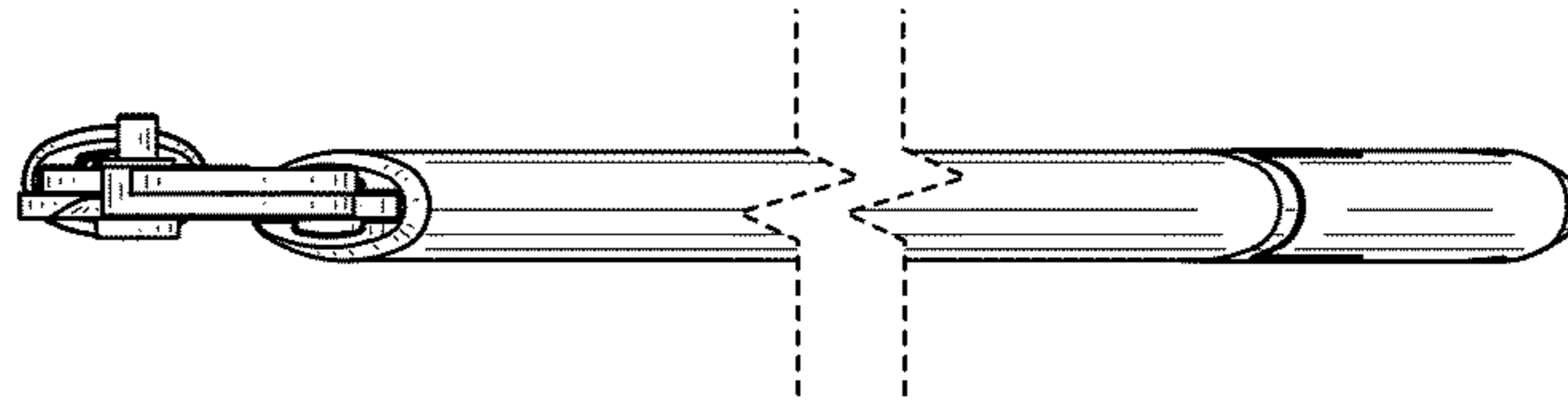


FIG. 7

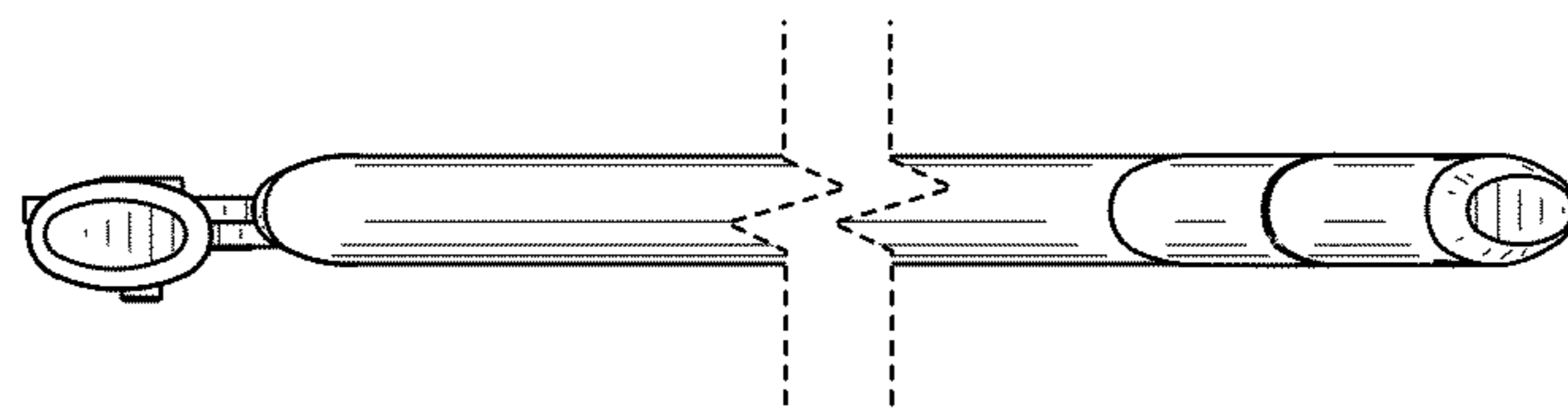


FIG. 8