



US00D704519S

(12) **United States Design Patent**
Costley

(10) **Patent No.:** **US D704,519 S**

(45) **Date of Patent:** **** May 13, 2014**

(54) **PLANT PACKING TOOL**

D636,236 S * 4/2011 Telford, Jr. D8/1
D661,958 S * 6/2012 Pizzeta D8/11
D684,439 S * 6/2013 Broadstone D8/1

(76) Inventor: **Ralph Costley**, Locust Grove, GA (US)

* cited by examiner

(**) Term: **14 Years**

Primary Examiner — Sheryl Lane

(21) Appl. No.: **29/422,790**

(74) *Attorney, Agent, or Firm* — Ballard Spahr LLP

(22) Filed: **May 24, 2012**

(57) **CLAIM**

The ornamental design for a plant packing tool, as shown and described.

Related U.S. Application Data

DESCRIPTION

(63) Continuation-in-part of application No. 13/306,873, filed on Nov. 29, 2011.

(51) **LOC (10) Cl.** **08-01**

(52) **U.S. Cl.**
USPC **D8/1**

(58) **Field of Classification Search**
USPC D8/1, 10, 11; 56/400.05, 400.15;
172/372, 370

See application file for complete search history.

FIG. 1 is a perspective view of one embodiment of a plant packing tool of the present invention;
FIG. 2 is a front elevational view of the plant packing tool of FIG. 1;
FIG. 3 is a rear elevational view of the plant packing tool of FIG. 1;
FIG. 4 is a left side elevational view of the plant packing tool of FIG. 1;
FIG. 5 is a right side elevational view of the plant packing tool of FIG. 1;
FIG. 6 is a top elevational view of the plant packing tool of FIG. 1; and,
FIG. 7 is a bottom elevational view of the plant packing tool of FIG. 1.

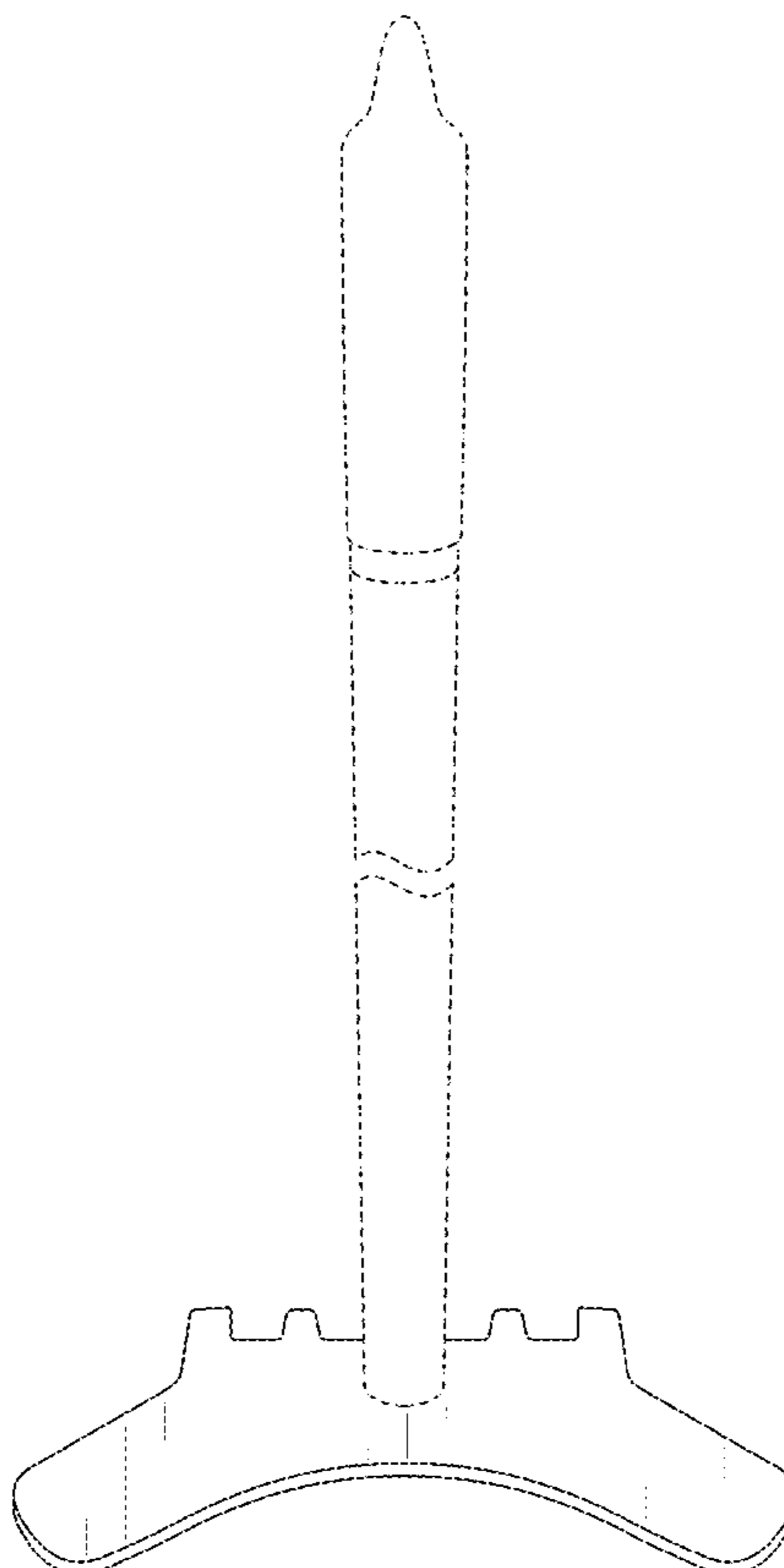
The broken lines represent portions of the article and form no part of the claimed design.

(56) **References Cited**

U.S. PATENT DOCUMENTS

D279,540 S * 7/1985 Rodrigues-Quiros D8/11
D279,541 S * 7/1985 Rodrigues-Quiros et al. ... D8/11
D288,401 S * 2/1987 Lukomski D8/1
D308,004 S * 5/1990 Dawley et al. D8/11
5,433,278 A * 7/1995 Shipley 172/370
D531,863 S * 11/2006 Irwin D8/1

1 Claim, 6 Drawing Sheets



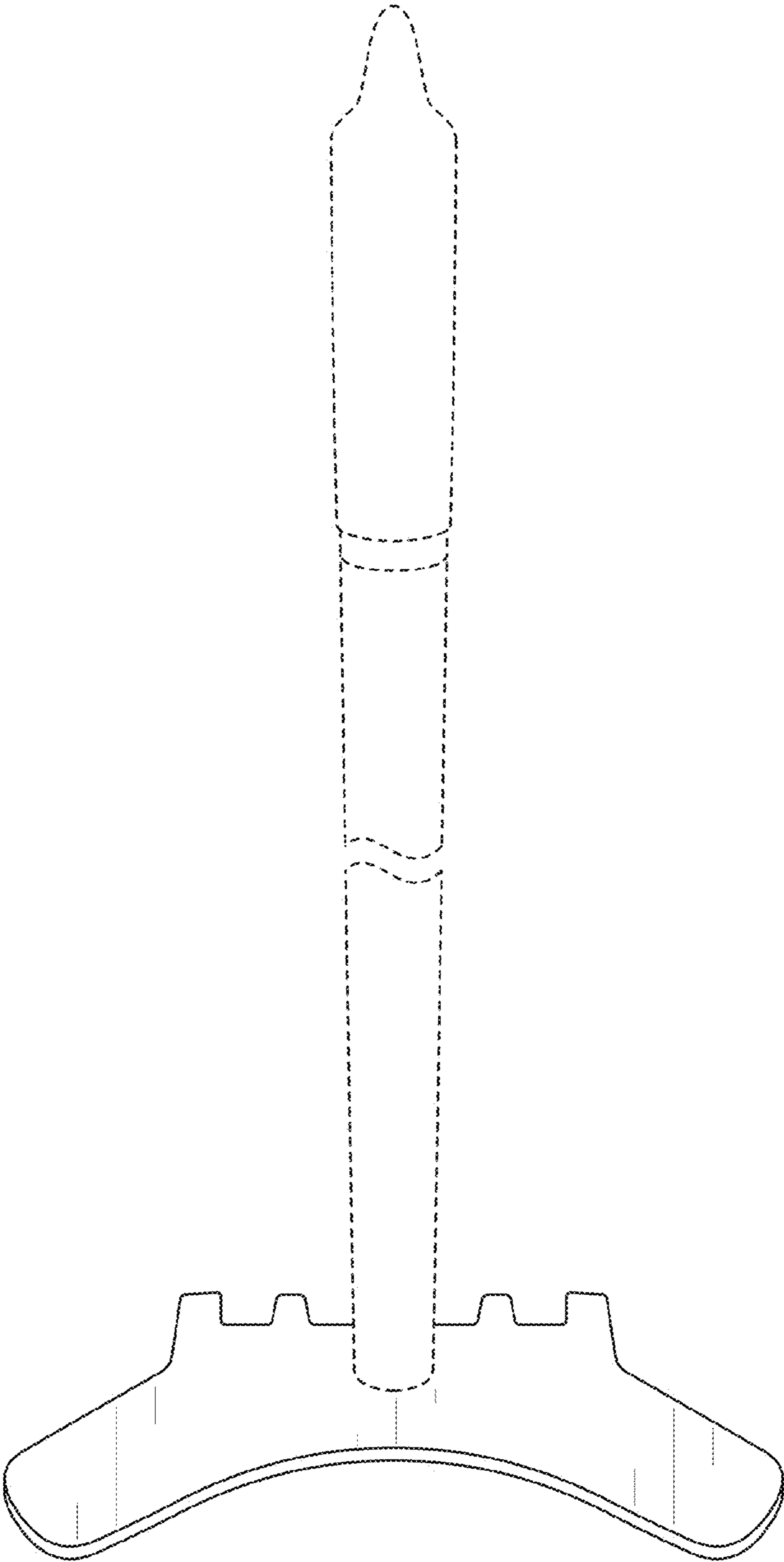


FIG. 1

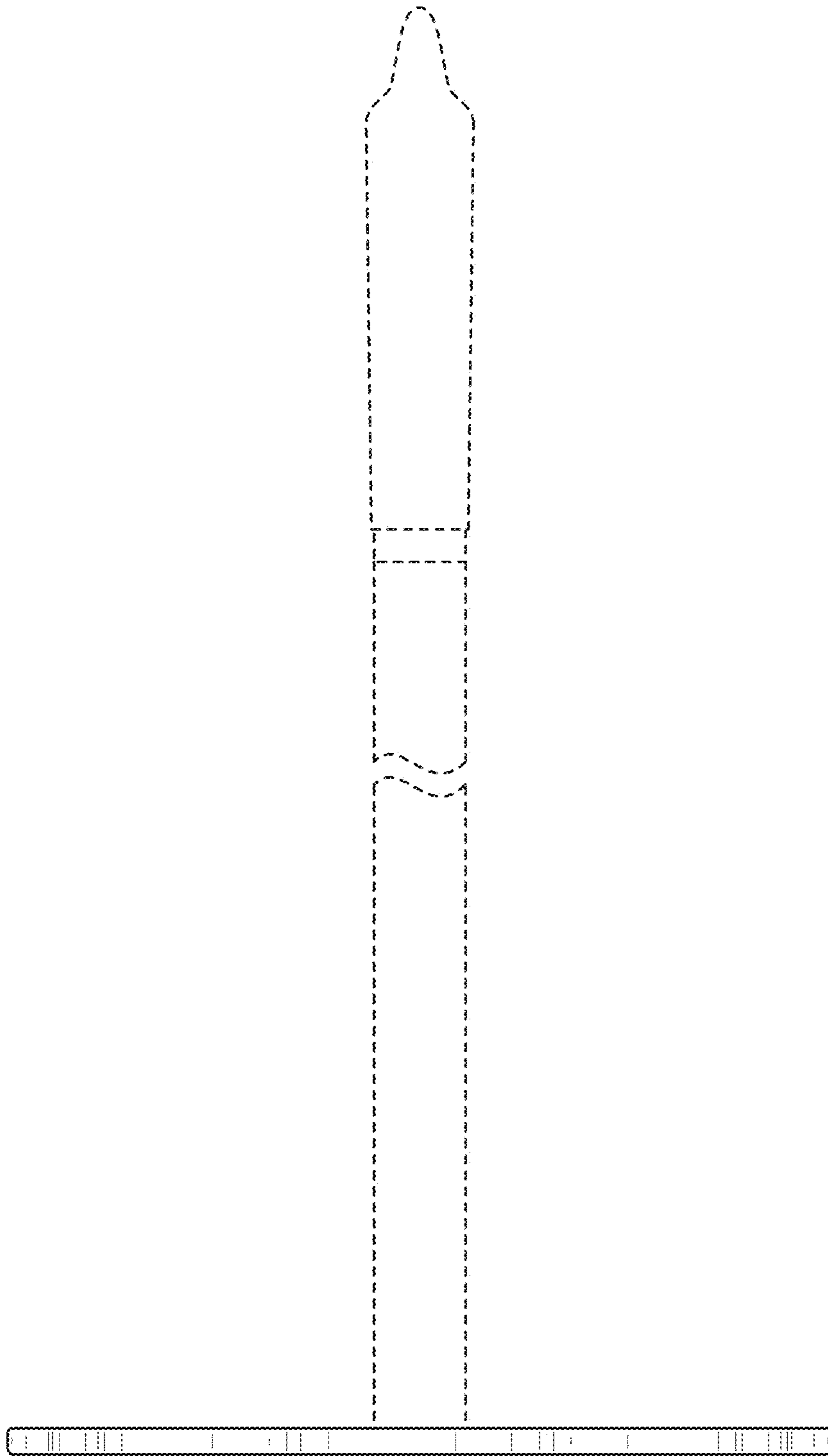


FIG. 2

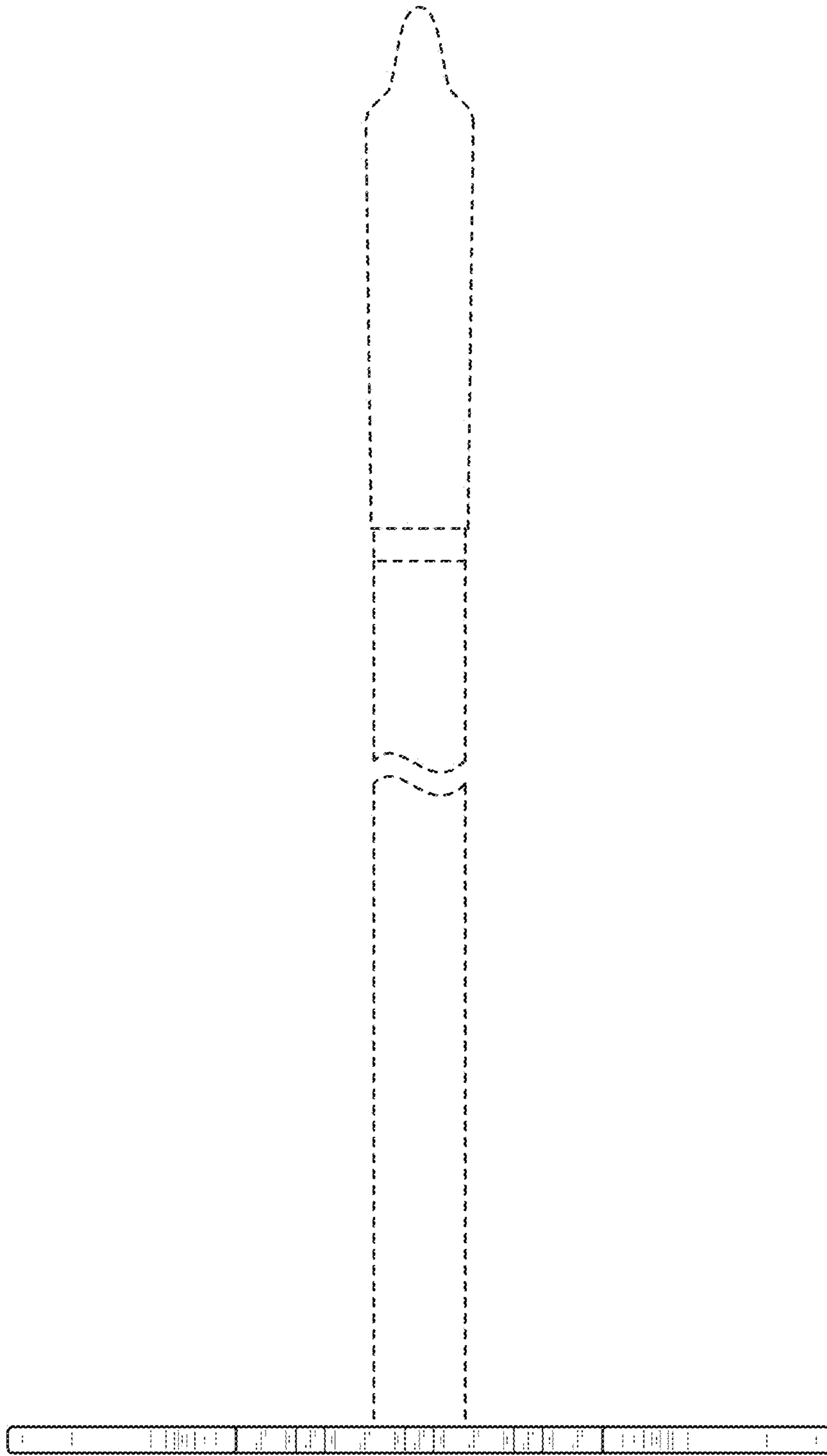


FIG. 3

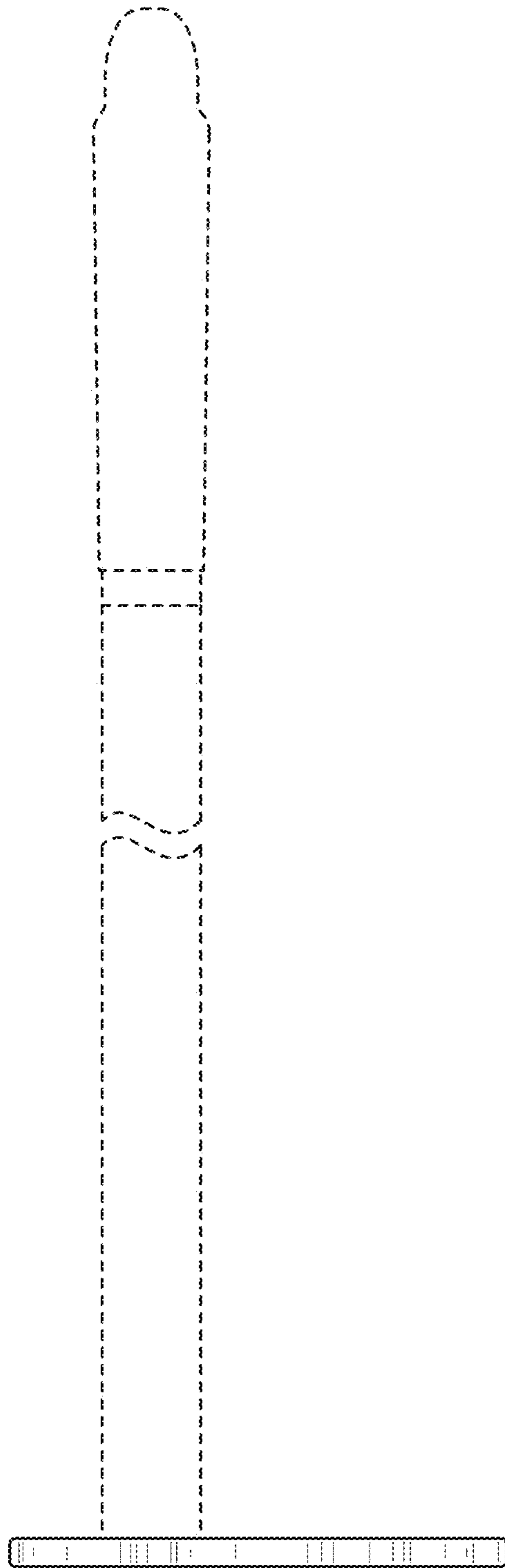


FIG. 4

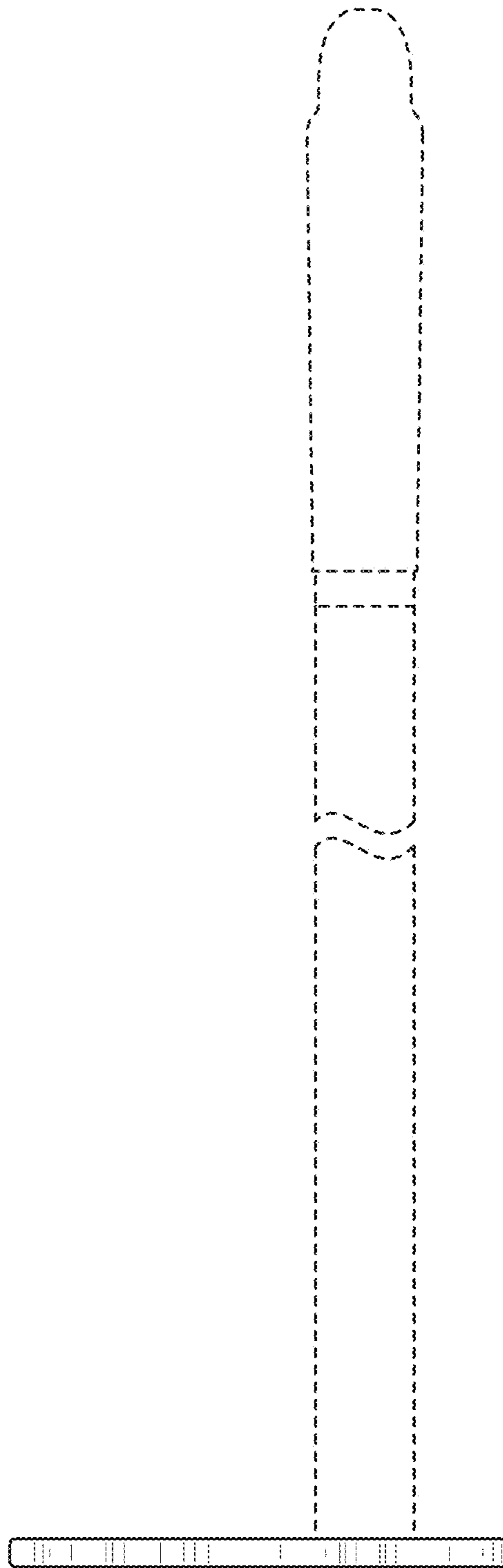


FIG. 5

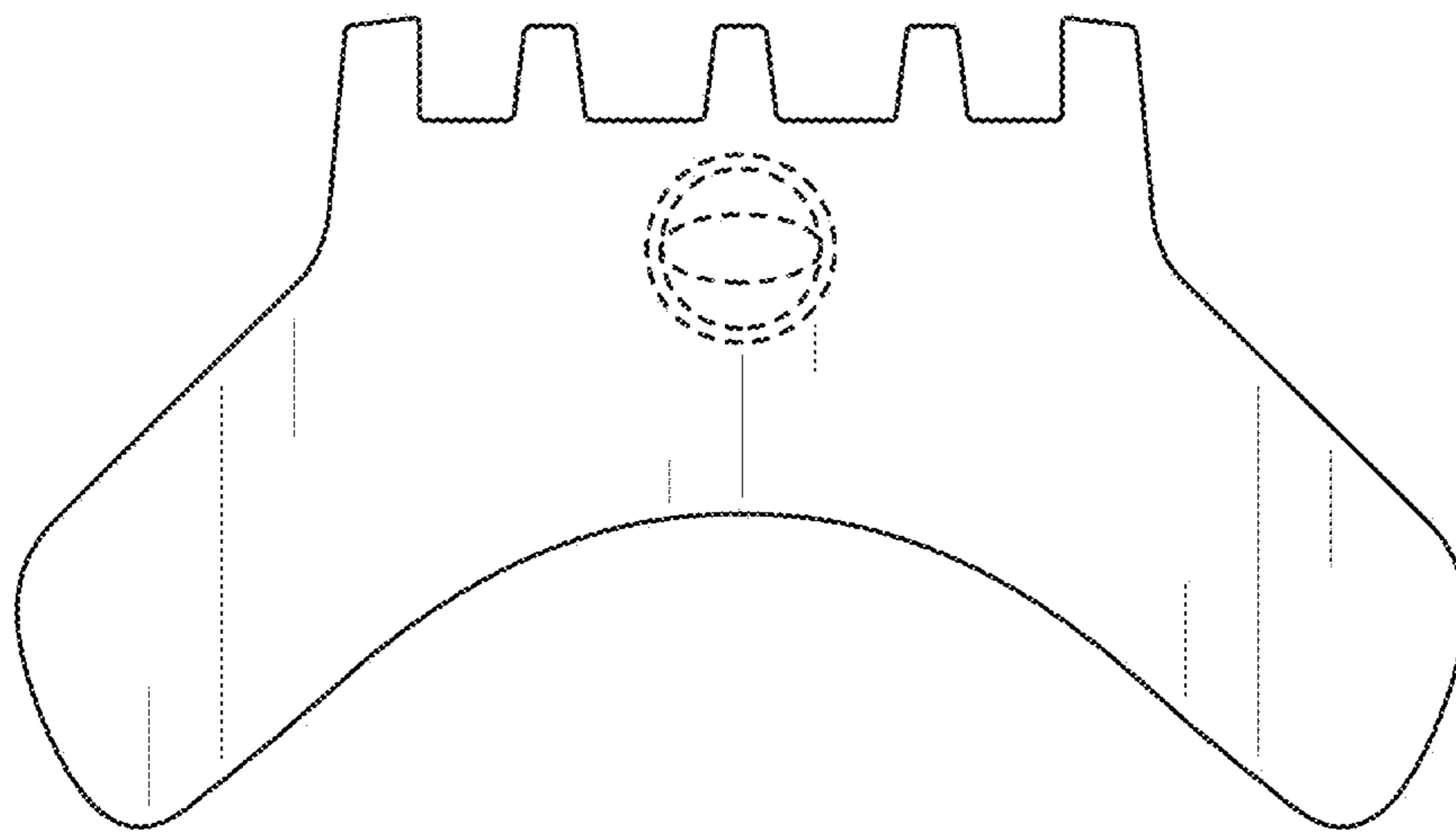


FIG. 6

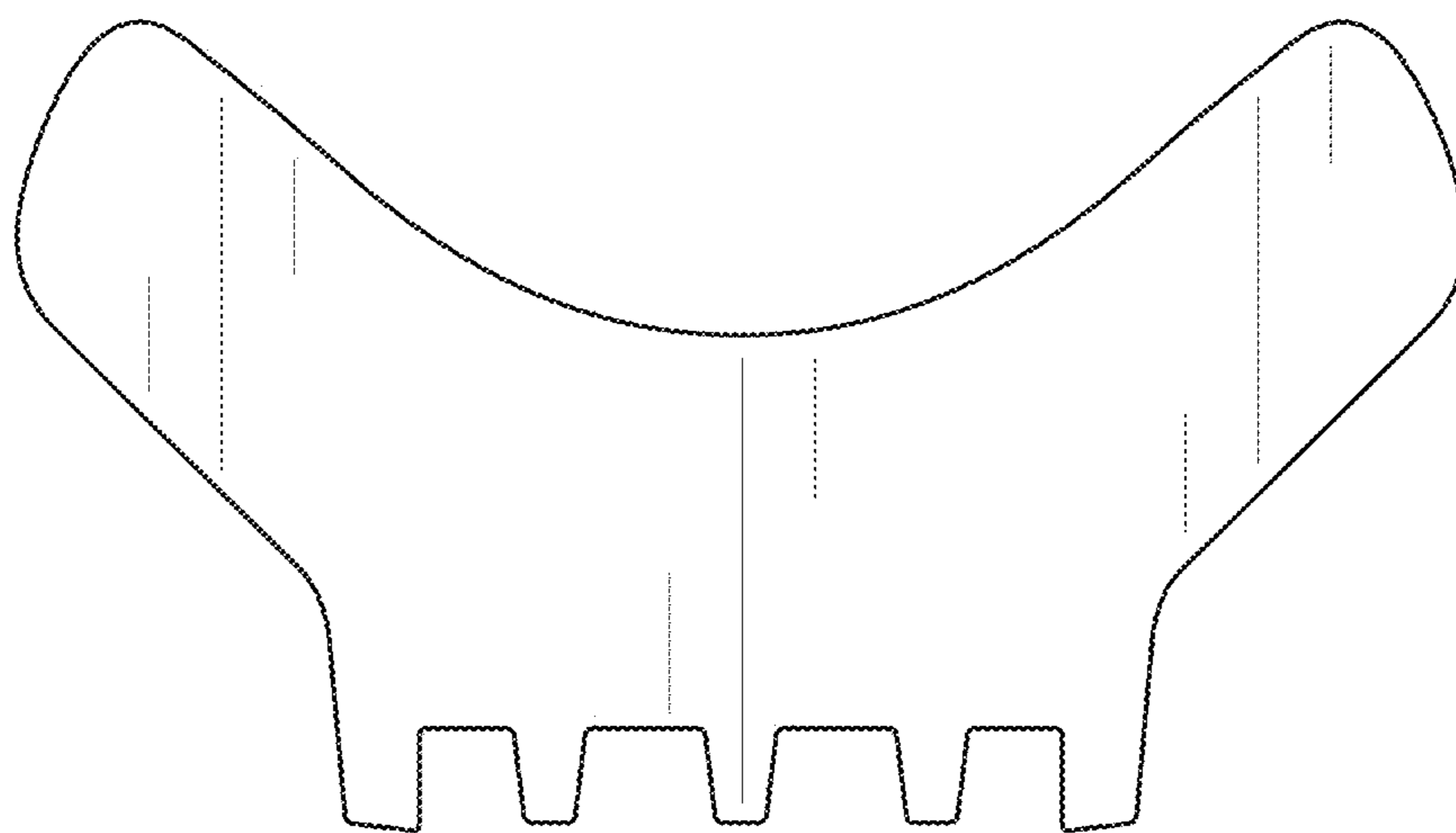


FIG. 7