



US00D704517S

(12) **United States Design Patent**
Appelius

(10) **Patent No.:** **US D704,517 S**

(45) **Date of Patent:** **** May 13, 2014**

(54) **TONG**

(71) Applicant: **Koziol ideas for friends GmbH,**
Erbach/Odenwald (DE)

(72) Inventor: **Julian Appelius,** Berlin (DE)

(73) Assignee: **Koziol Ideas For Friends GmbH,**
Erbach/Odenwald (DE)

(**) Term: **14 Years**

(21) Appl. No.: **29/448,609**

(22) Filed: **Mar. 13, 2013**

(30) **Foreign Application Priority Data**

Sep. 18, 2012 (DE) 40 2012 004 247

(51) **LOC (10) Cl.** **07-06**

(52) **U.S. Cl.**
USPC **D7/686**

(58) **Field of Classification Search**
USPC D7/680-696, 368, 669; 294/8.5, 99.1,
294/99.2, 118, 119, 218; 7/110, 113
See application file for complete search history.

(56) **References Cited**

U.S. PATENT DOCUMENTS

| | | | | | | |
|--------------|----|---|---------|---------------|-------|----------|
| D487,003 | S | * | 2/2004 | de Groote | | D7/686 |
| D510,239 | S | * | 10/2005 | Bertulis | | D7/686 |
| D592,917 | S | * | 5/2009 | Jalet et al. | | D7/686 |
| D606,814 | S | * | 12/2009 | Mineo | | D7/686 |
| D606,815 | S | * | 12/2009 | Gallop et al. | | D7/686 |
| 2004/0051327 | A1 | * | 3/2004 | Yoon | | 294/99.2 |

* cited by examiner

Primary Examiner — Terry Wallace

(74) *Attorney, Agent, or Firm* — Michael J. Striker

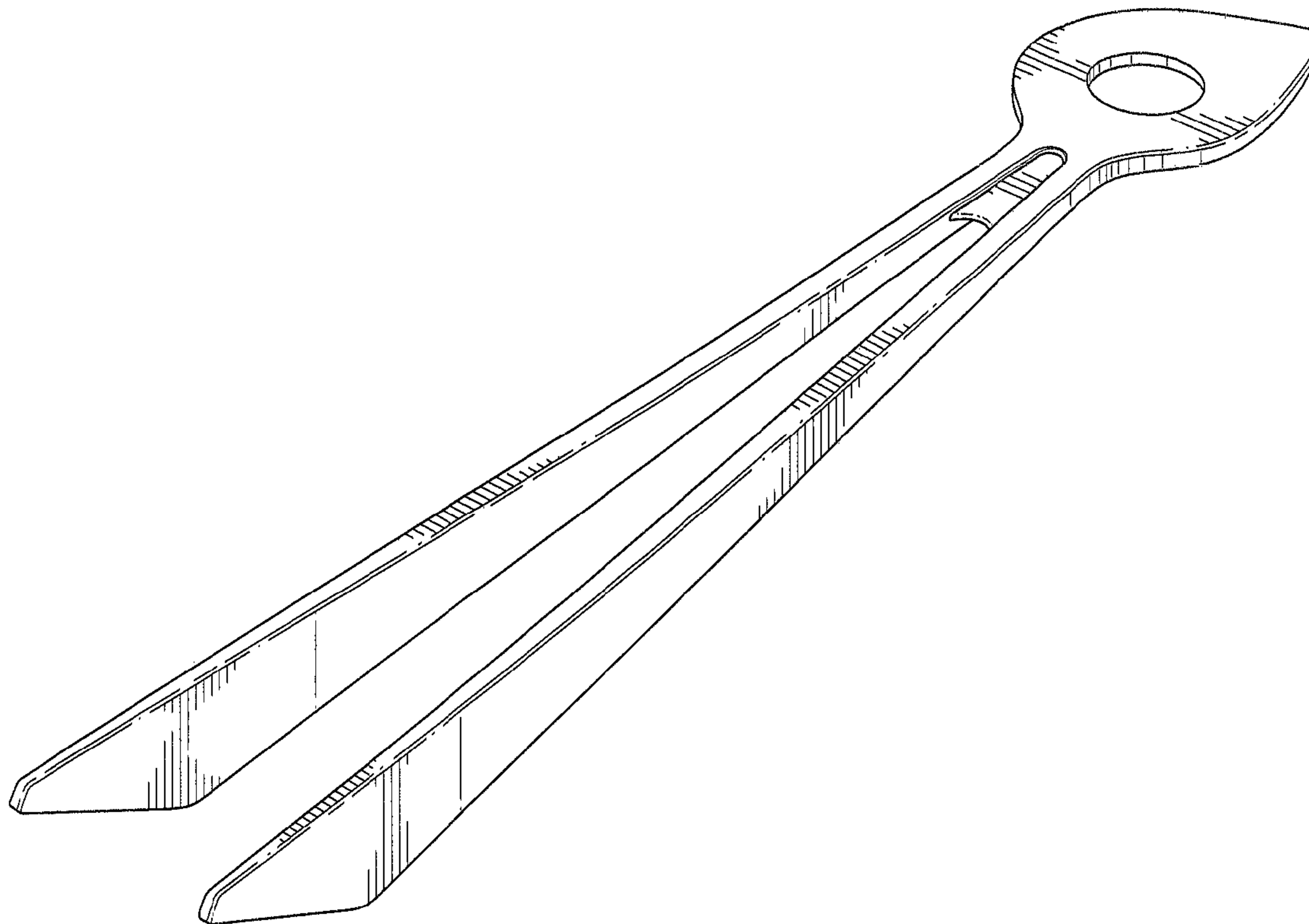
(57) **CLAIM**

The ornamental design for a tong, as shown and described.

DESCRIPTION

FIG. 1 is a front perspective of a tong showing my new design;
FIG. 2 is a front view thereof;
FIG. 3 is a rear view thereof;
FIG. 4 is a left side view thereof;
FIG. 5 is a right side view thereof;
FIG. 6 is a top plan view thereof; and,
FIG. 7 is a bottom plan view thereof.

1 Claim, 5 Drawing Sheets



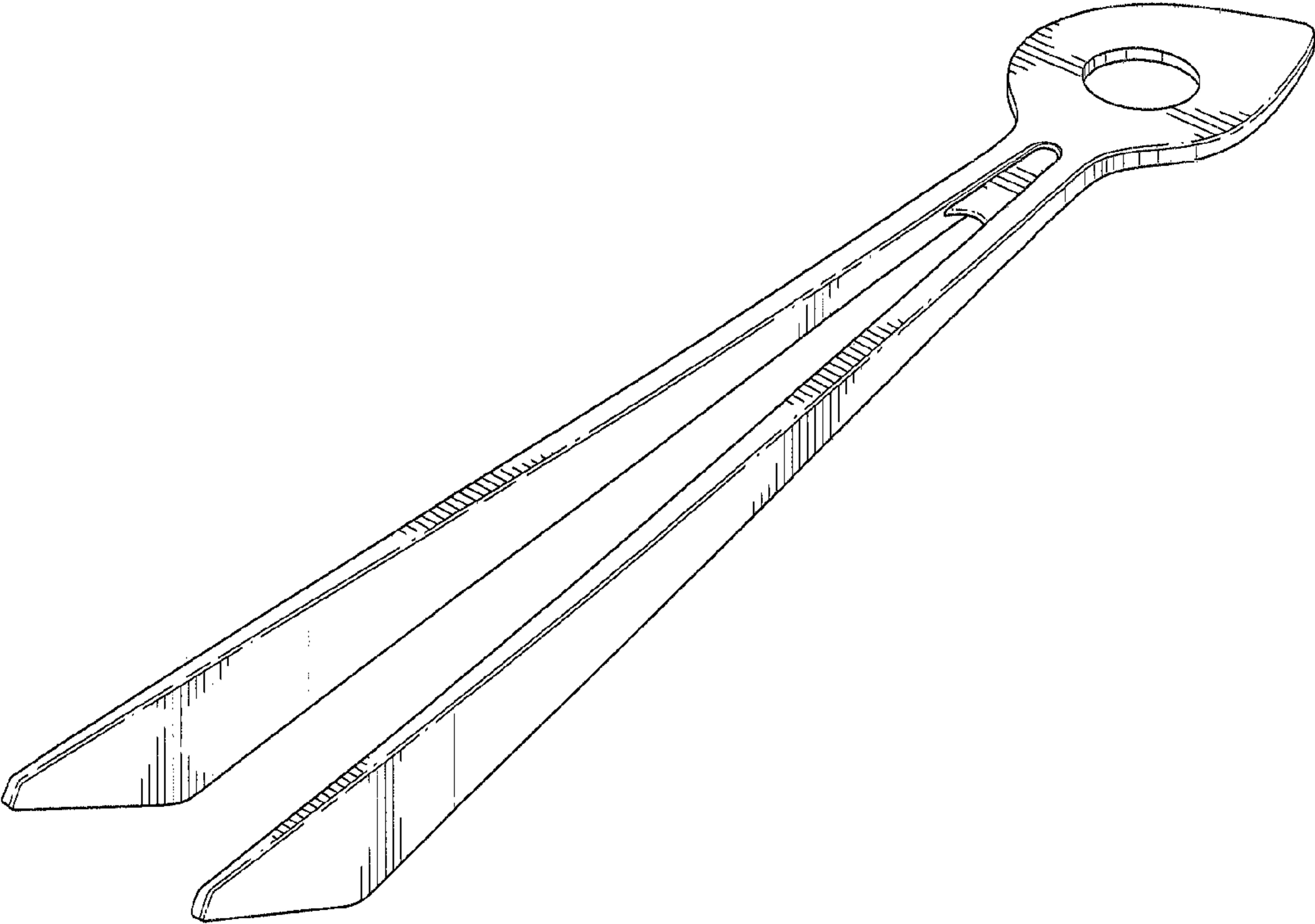


FIG. 1

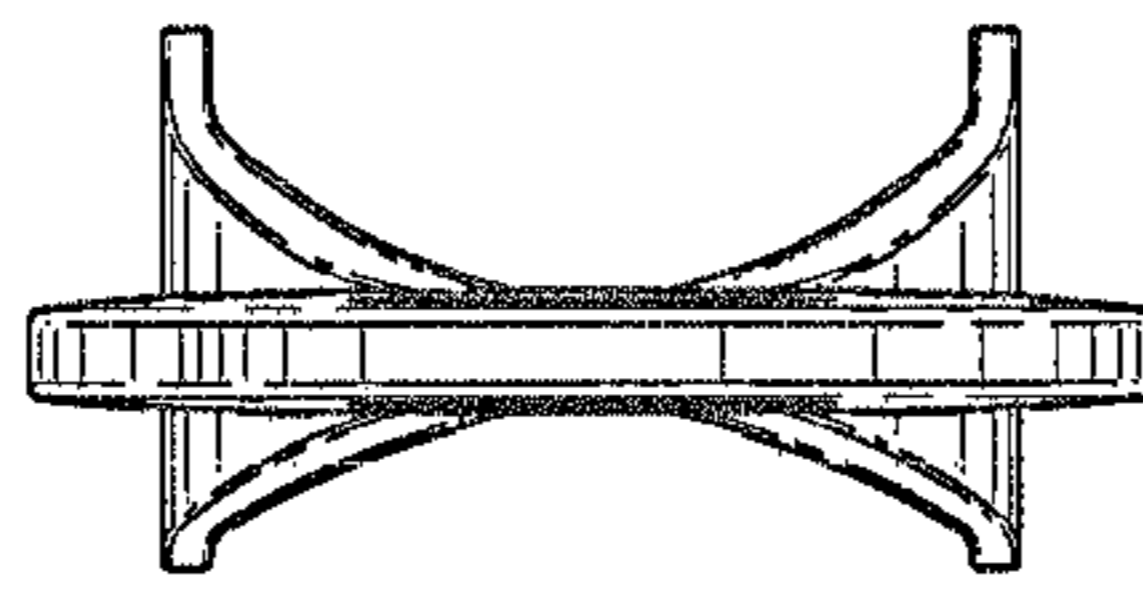


FIG. 2

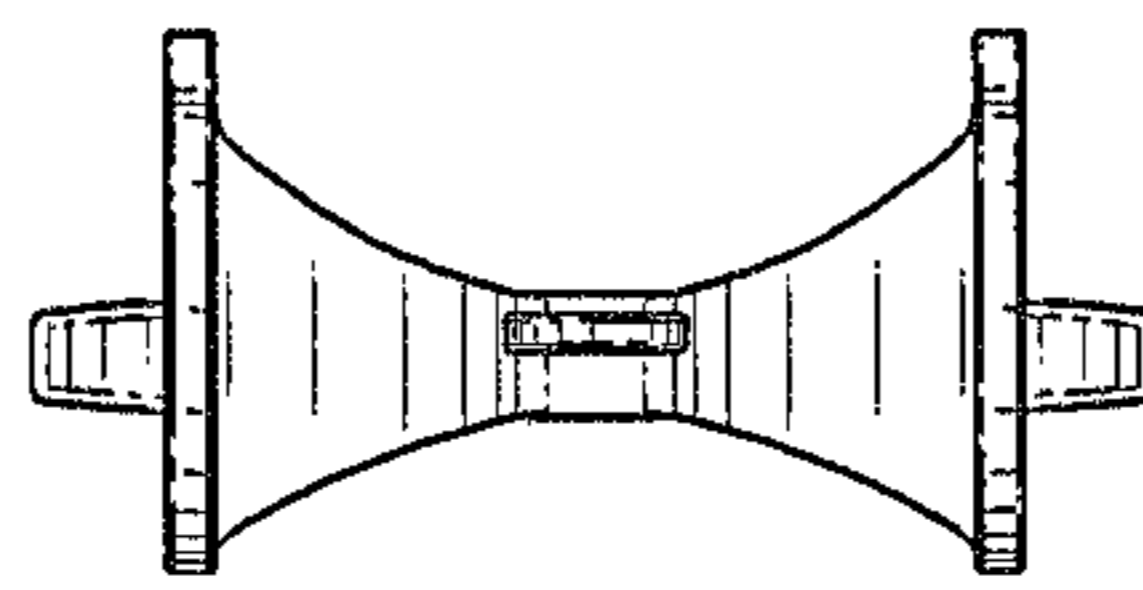


FIG. 3

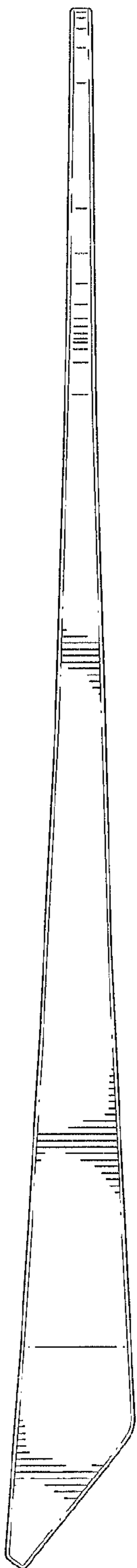


FIG. 4

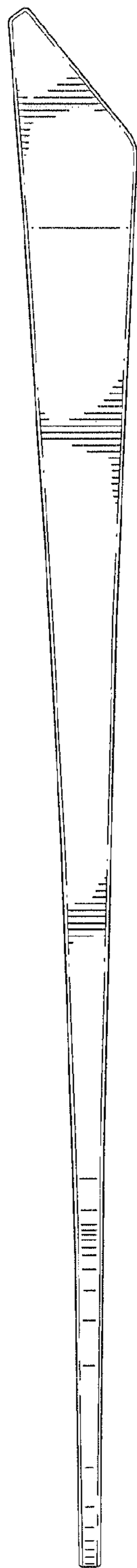


FIG. 5

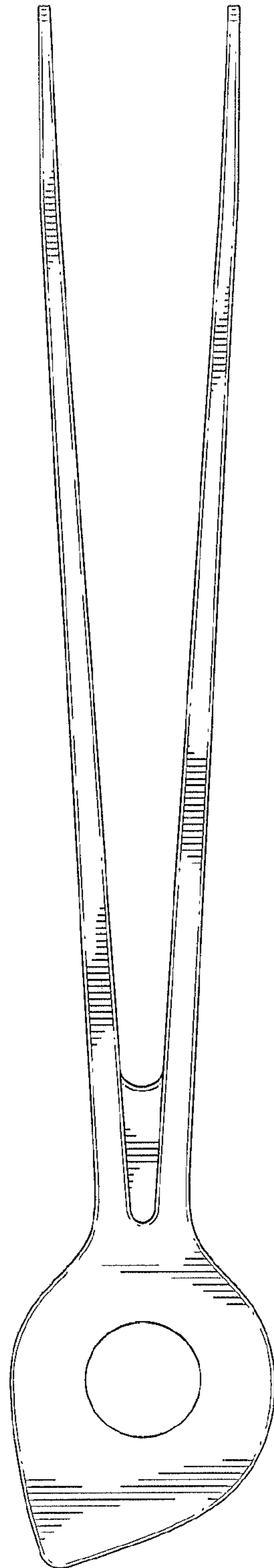


FIG. 6

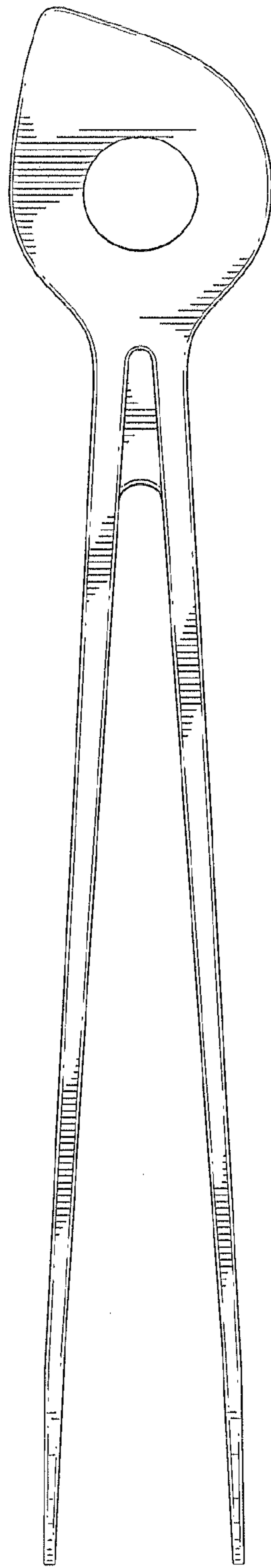


FIG. 7