



US00D704516S

(12) **United States Design Patent**
Suess et al.

(10) **Patent No.:** **US D704,516 S**

(45) **Date of Patent:** **** May 13, 2014**

(54) **ICE CREAM SCOOP**

(56) **References Cited**

(71) Applicants: **Christon G. Suess**, Bergenfield, NJ
(US); **Jillian L. Walbroel**, Woodland
Park, NJ (US)

U.S. PATENT DOCUMENTS

D217,108 S *	4/1970	Smith	D1/117
D242,977 S *	1/1977	Mason	D7/681
D318,988 S *	8/1991	Antonacci	D7/681
D482,181 S *	11/2003	Carbone	D1/118
D485,167 S *	1/2004	Chan	D9/643
D501,977 S *	2/2005	Carbone	D1/118
D504,991 S *	5/2005	Carbone	D1/118
D517,421 S *	3/2006	Terrasi	D9/643

(72) Inventors: **Christon G. Suess**, Bergenfield, NJ
(US); **Jillian L. Walbroel**, Woodland
Park, NJ (US)

(73) Assignee: **Cotapaxi Custom Design and
Manufacturing LLC**, Carlstadt, NJ (US)

* cited by examiner

Primary Examiner — Terry Wallace

(**) Term: **14 Years**

(74) *Attorney, Agent, or Firm* — Steven E. Shapiro

(21) Appl. No.: **29/442,865**

(57) **CLAIM**

The ornamental design for an ice cream scoop, as shown and described.

(22) Filed: **Jun. 3, 2013**

DESCRIPTION

(51) **LOC (10) Cl.** **07-99**

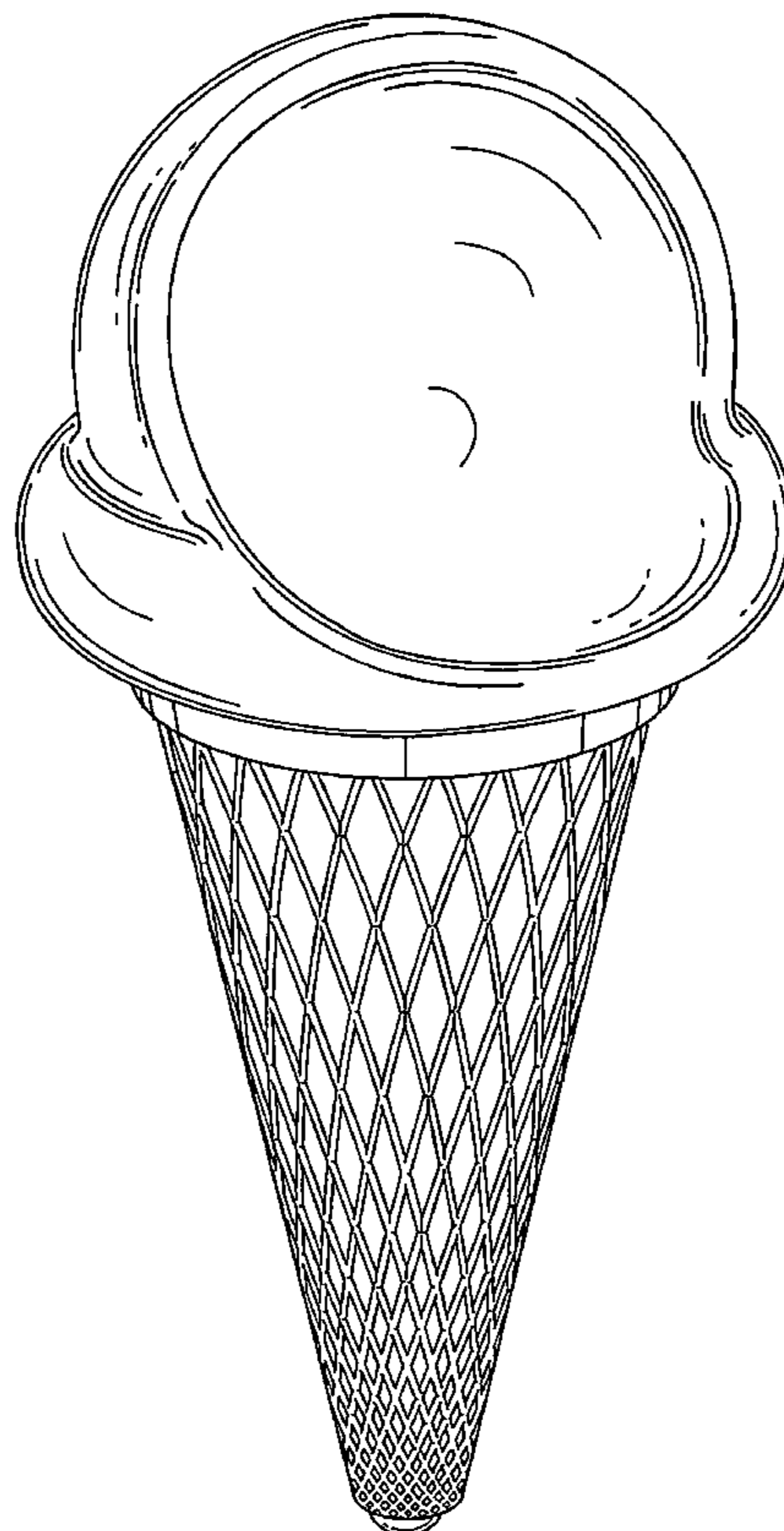
(52) **U.S. Cl.**
USPC **D7/681**

(58) **Field of Classification Search**
USPC D7/680-696, 393, 395, 401.1;
30/324-328; 425/187, 276-285, 169,
425/299, DIG. 13; D1/116-119;
294/176-180

FIG. 1 is a top perspective view of an ice cream scoop;
FIG. 2 is a bottom perspective view of the ice cream scoop;
FIG. 3 is a front view of the ice cream scoop;
FIG. 4 is a rear view of the ice cream scoop;
FIG. 5 is a left side view of the ice cream scoop;
FIG. 6 is a right side view of the ice cream scoop;
FIG. 7 is a top view of the ice cream scoop; and,
FIG. 8 is a rear view of the ice cream scoop.

See application file for complete search history.

1 Claim, 7 Drawing Sheets



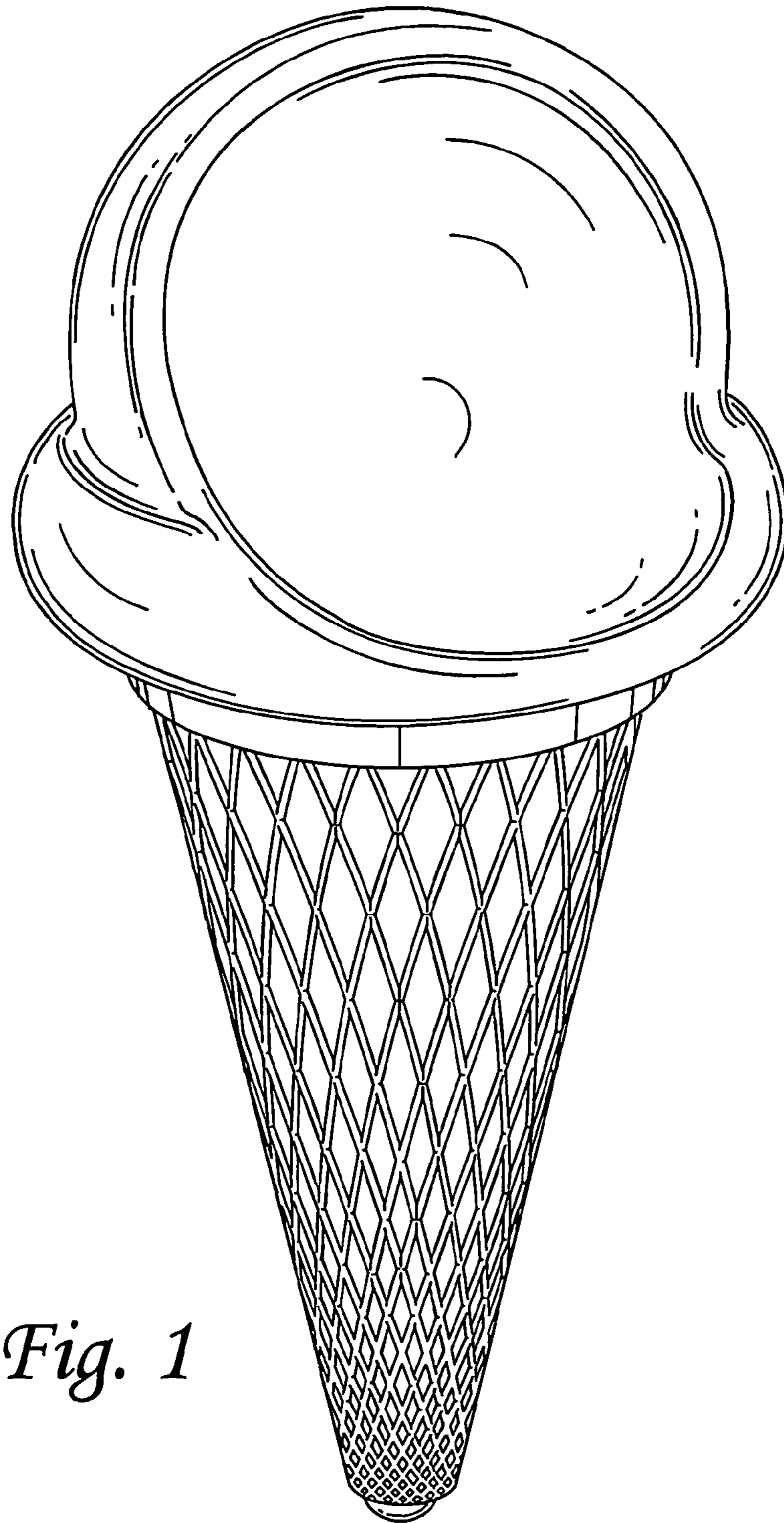


Fig. 1

Fig. 2

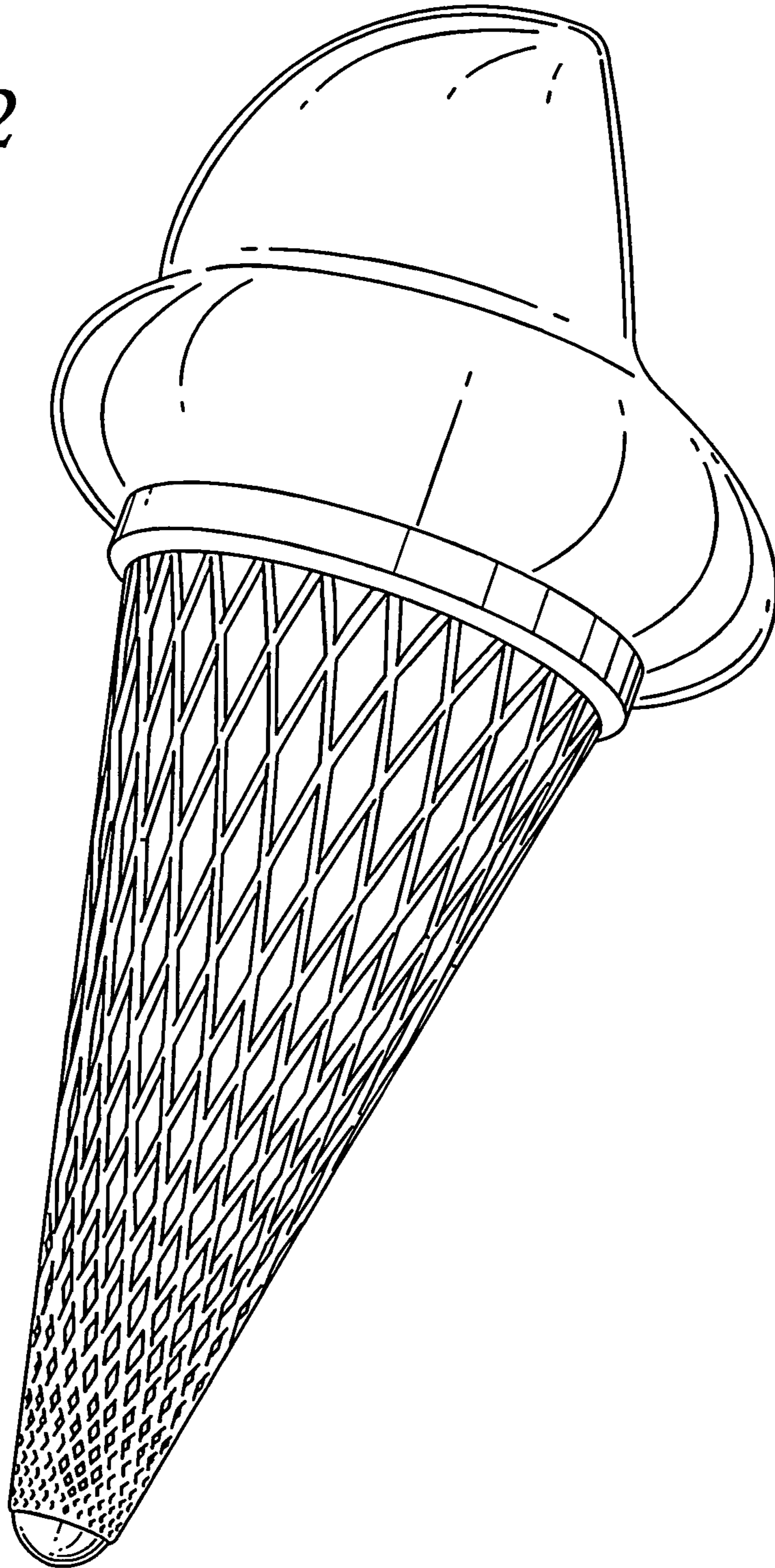


Fig. 3

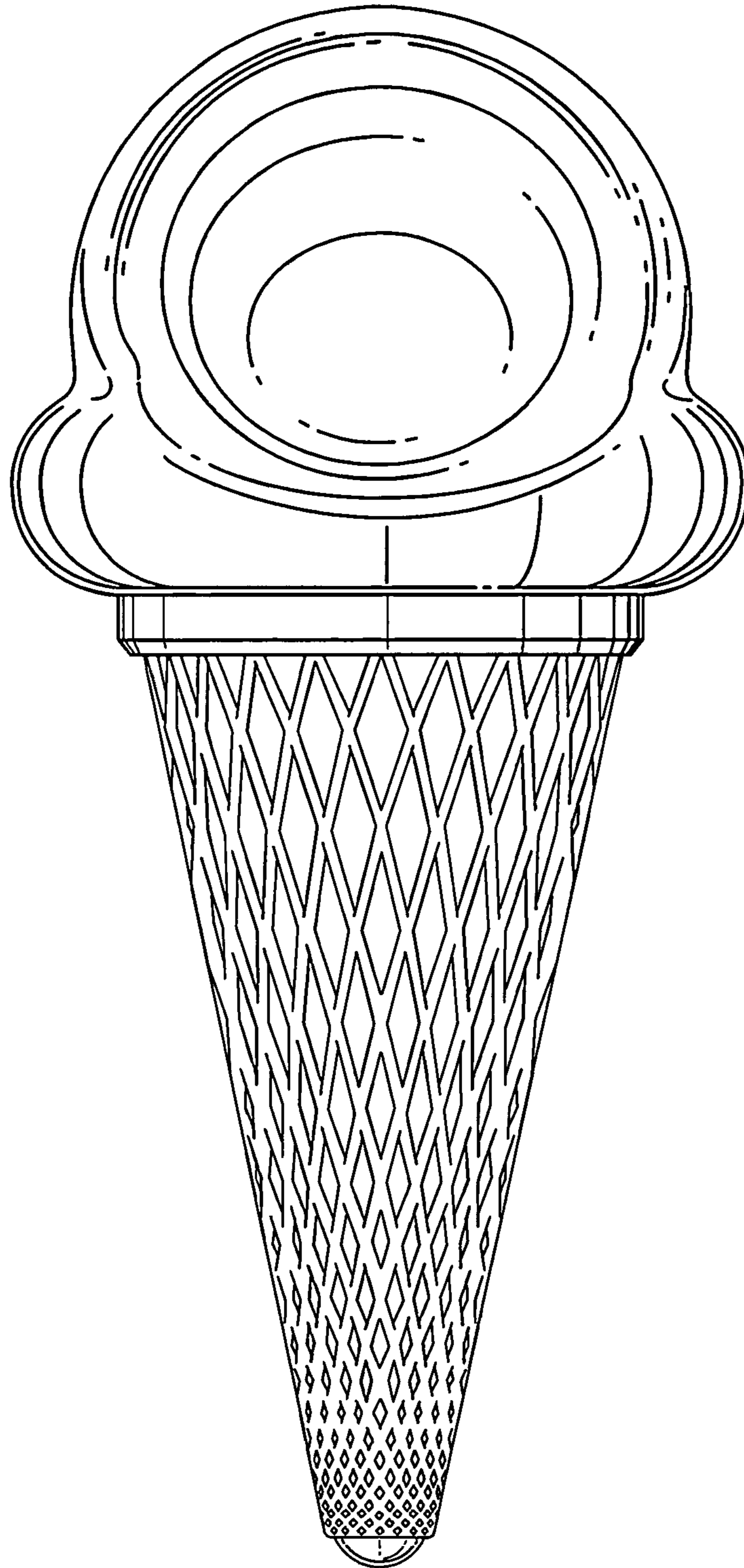


Fig. 4

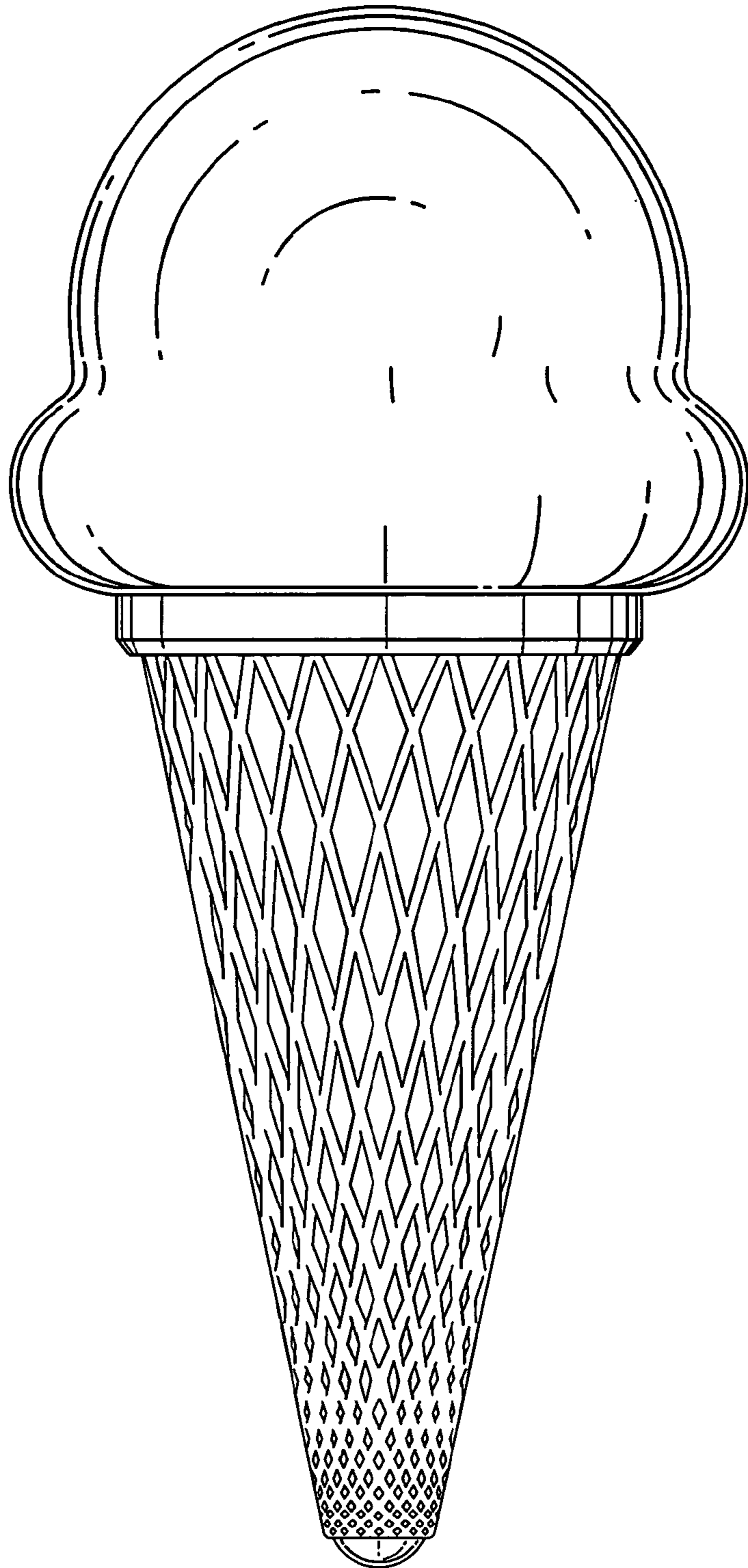


Fig. 5

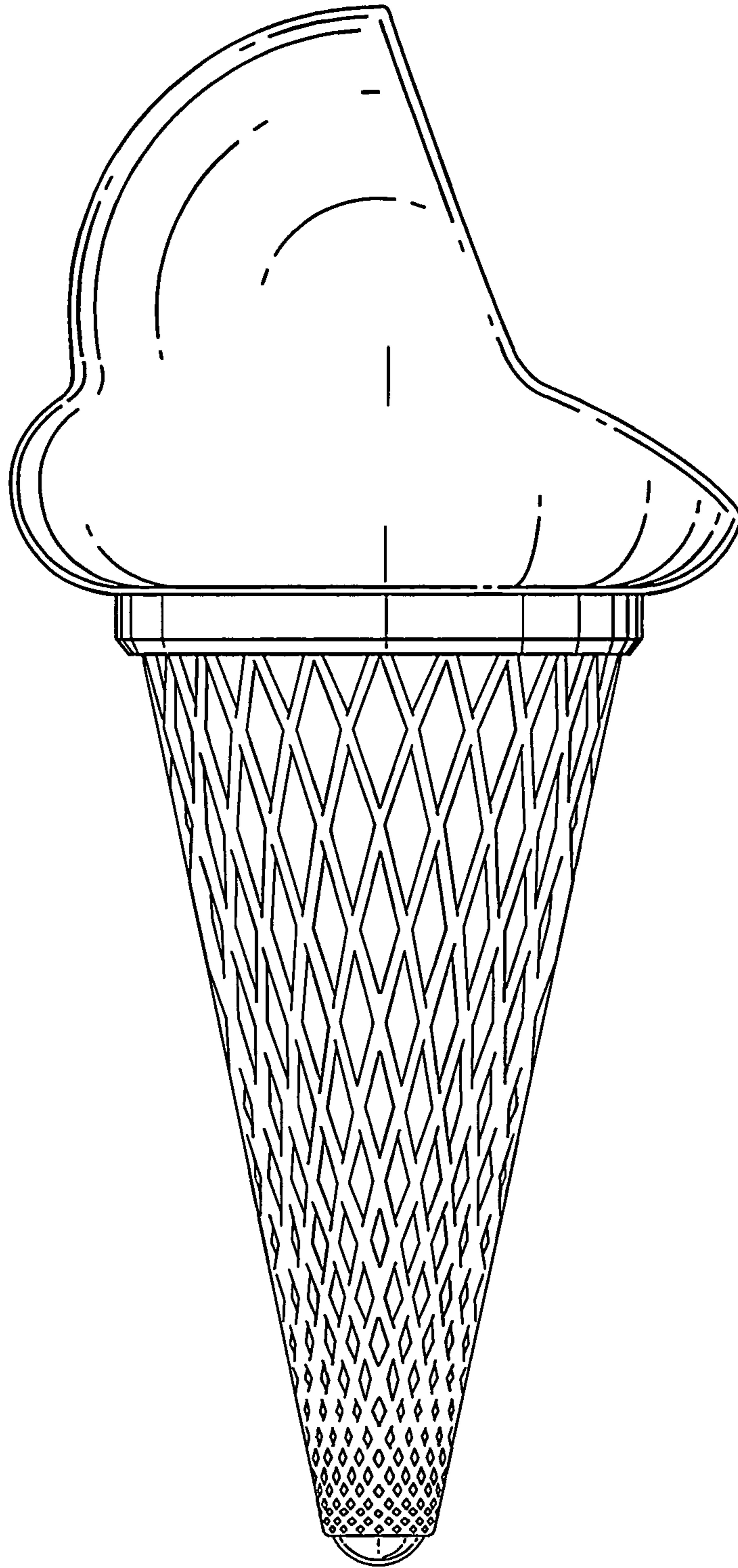


Fig. 6

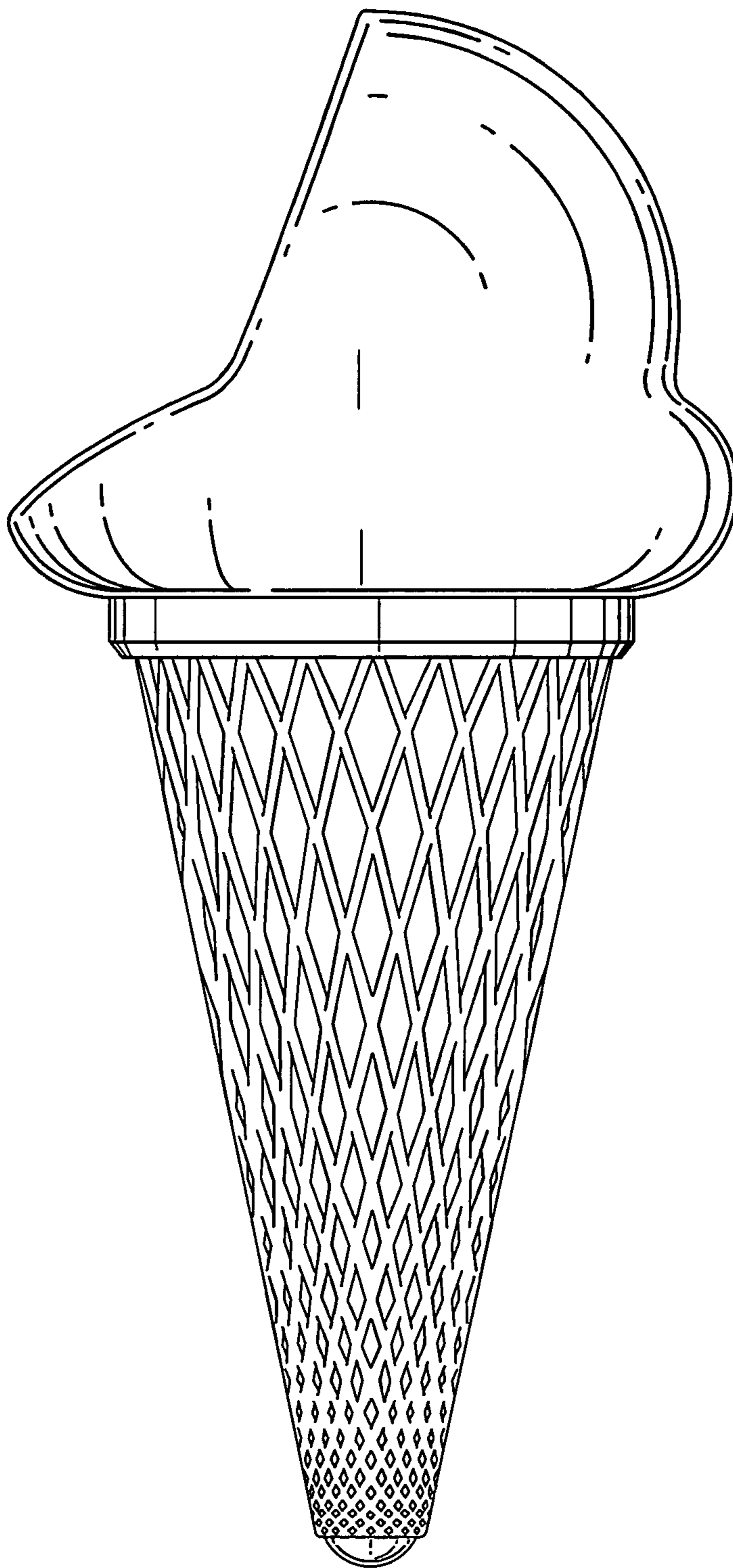


Fig. 7

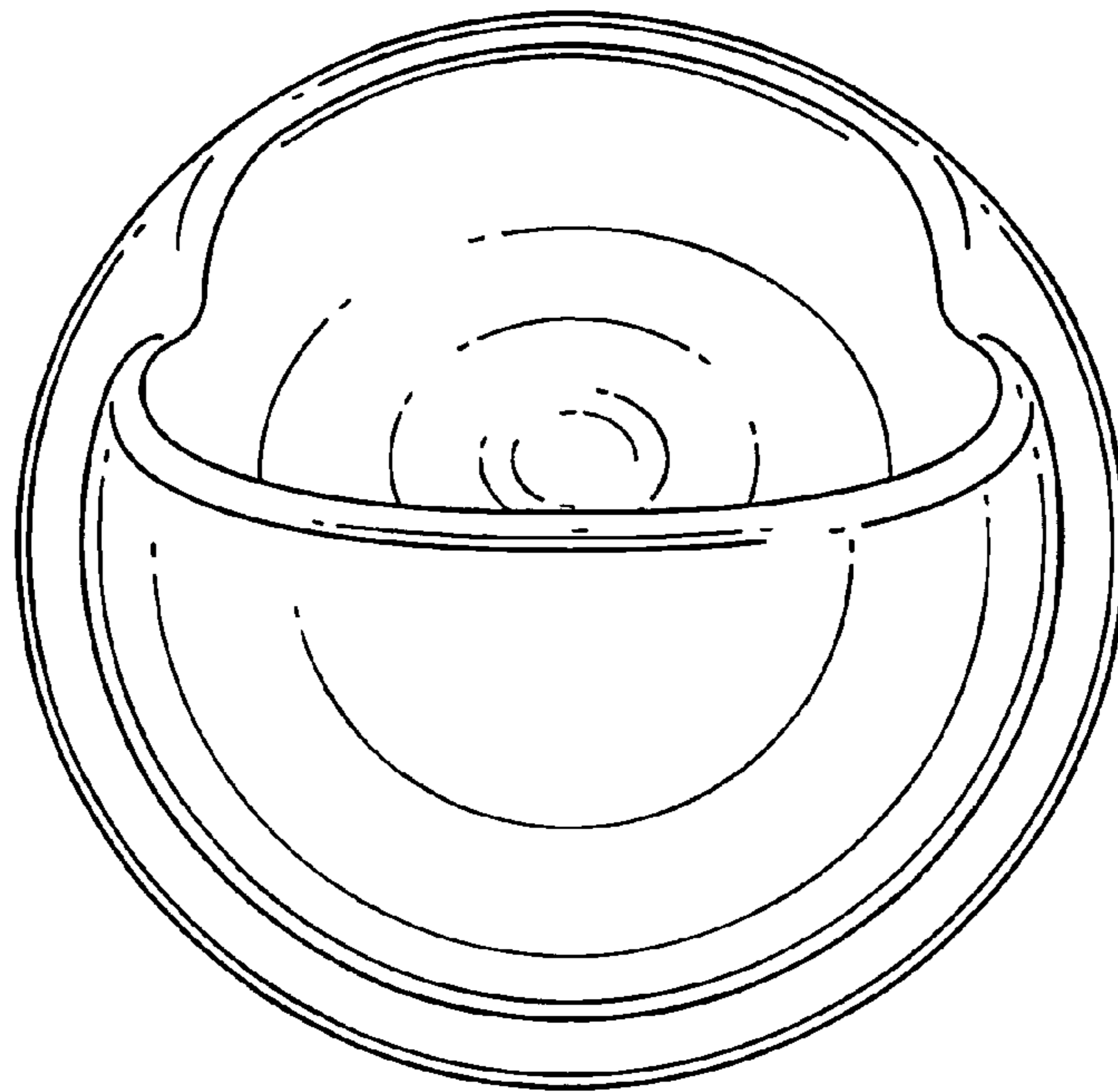


Fig. 8

