

US00D704512S

(12) **United States Design Patent**
Kellow, Jr.

(10) **Patent No.:** **US D704,512 S**
(45) **Date of Patent:** **** May 13, 2014**

- (54) **FOOD AND BEVERAGE PLATE**
- (71) Applicant: **Bethrick, Inc.**, Slinger, WI (US)
- (72) Inventor: **Richard Alan Kellow, Jr.**, Slinger, WI (US)
- (73) Assignee: **Bethrick, Inc.**, Slinger, WI (US)
- (**) Term: **14 Years**
- (21) Appl. No.: **29/468,184**
- (22) Filed: **Sep. 26, 2013**
- (51) **LOC (10) Cl.** **07-01**
- (52) **U.S. Cl.**
USPC **D7/553.8**
- (58) **Field of Classification Search**
USPC D7/550.1, 552.1, 553.1-553.6,
D7/553.7-553.9, 549, 554.2, 555, 396.1;
D9/759; 206/557, 562-564, 784, 814;
220/557, 562-564; 426/132
See application file for complete search history.

D444,676	S	*	7/2001	Murphy	D7/553.6
6,691,890	B1		2/2004	Persson		
D511,273	S	*	11/2005	Hadeler	D7/553.6
D527,952	S	*	9/2006	Roth et al.	D7/540
D527,954	S	*	9/2006	Roth	D7/557
D560,044	S	*	1/2008	Roes	D30/132
D568,112	S	*	5/2008	Epstein	D7/554.2
D574,180	S	*	8/2008	Broom	D7/357
D579,274	S	*	10/2008	Bizzell	D7/553.6
D582,102	S	*	12/2008	Roes	D30/132
D592,017	S	*	5/2009	Bizzell	D7/629
D593,364	S	*	6/2009	Harris	D7/505
D597,261	S	*	7/2009	Dye et al.	D30/123
D623,806	S	*	9/2010	Modi et al.	D30/129

(Continued)

Primary Examiner — Kelley Donnelly
(74) *Attorney, Agent, or Firm* — Foley & Lardner LLP

(57) **CLAIM**
I claim the ornamental design for a food and beverage plate, as shown and described.

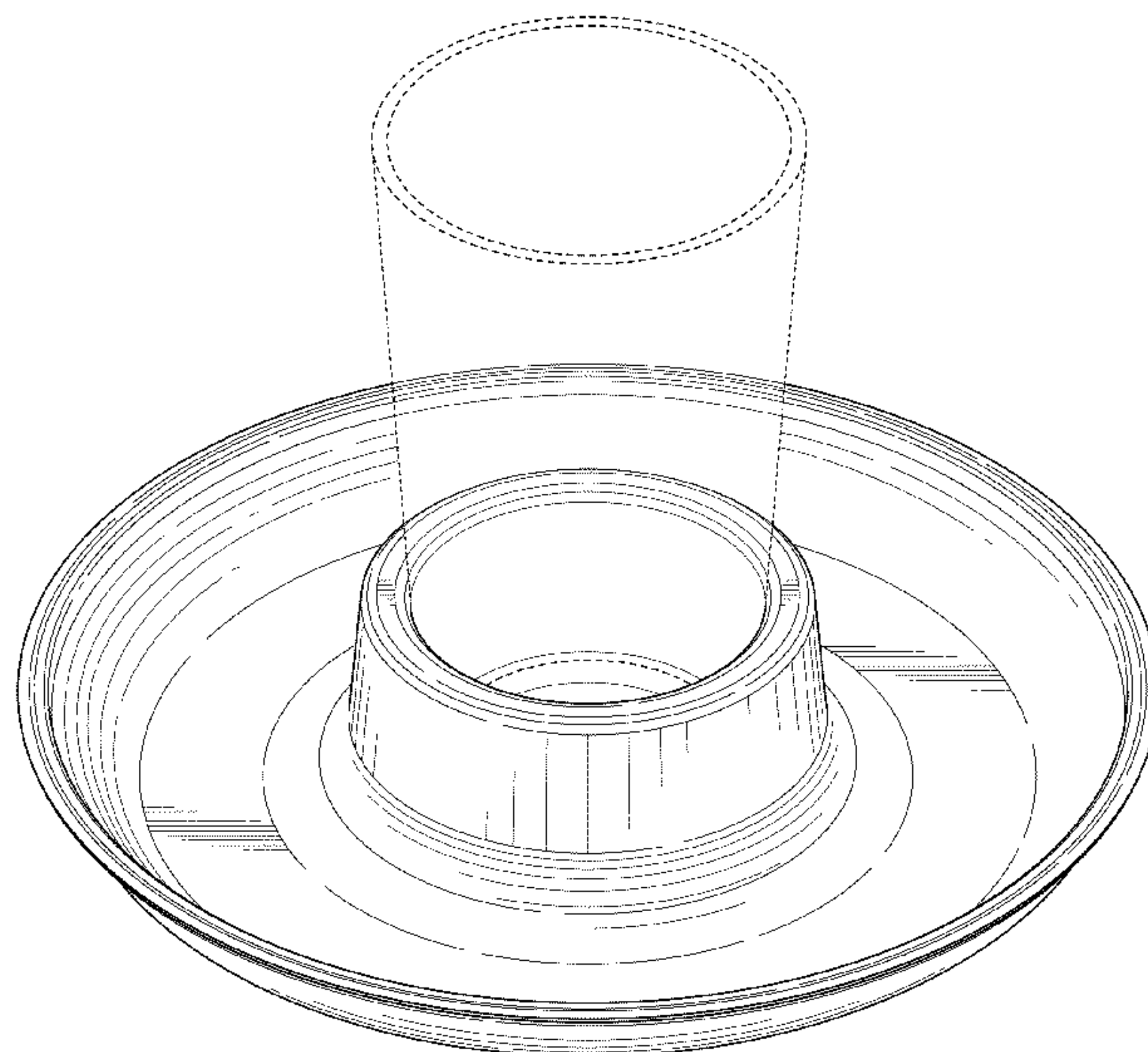
DESCRIPTION

FIG. 1 is a front perspective view from above of the claimed design including a beverage container as unclaimed background, according to one embodiment;
 FIG. 2 is a front perspective view of the claimed design of FIG. 1;
 FIG. 3 is a bottom perspective view of the claimed design of FIG. 1;
 FIG. 4 is a top view of the claimed design of FIG. 1;
 FIG. 5 is a bottom view of the claimed design of FIG. 1;
 FIG. 6 is a front view of the claimed design of FIG. 1, wherein the left, right, and rear views are identical to the front view; and,
 FIG. 7 is a section view of the claimed design along line 7-7 of FIG. 5.
 The broken lines in the drawings are for illustrative purposes only and form no part of the claimed design.

1 Claim, 6 Drawing Sheets

(56) **References Cited**
U.S. PATENT DOCUMENTS

2,427,697	A	9/1947	Weidler
3,955,672	A	5/1976	Brundage
4,346,070	A	8/1982	Johnson
4,461,396	A	7/1984	Harper
5,058,737	A	10/1991	Patterson et al.
D331,860	S	12/1992	Stanfield
5,184,750	A	2/1993	Moller
5,184,751	A	2/1993	Middleton
5,207,743	A	5/1993	Costarella et al.
D342,190	S	12/1993	Devitt
5,551,593	A	9/1996	Wiens
D398,481	S	9/1998	Brown et al.
5,960,982	A	10/1999	Perlis et al.
6,062,418	A	5/2000	Rathjen
6,129,235	A	10/2000	Creske



US D704,512 S

Page 2

(56)

References Cited

U.S. PATENT DOCUMENTS

D682,037 S *	5/2013	Cloutier	D7/554.2
D691,857 S *	10/2013	Muspratt-Williams et al.	D7/553.6
D654,230 S *	2/2012	Tedaldi et al.	D30/129

* cited by examiner

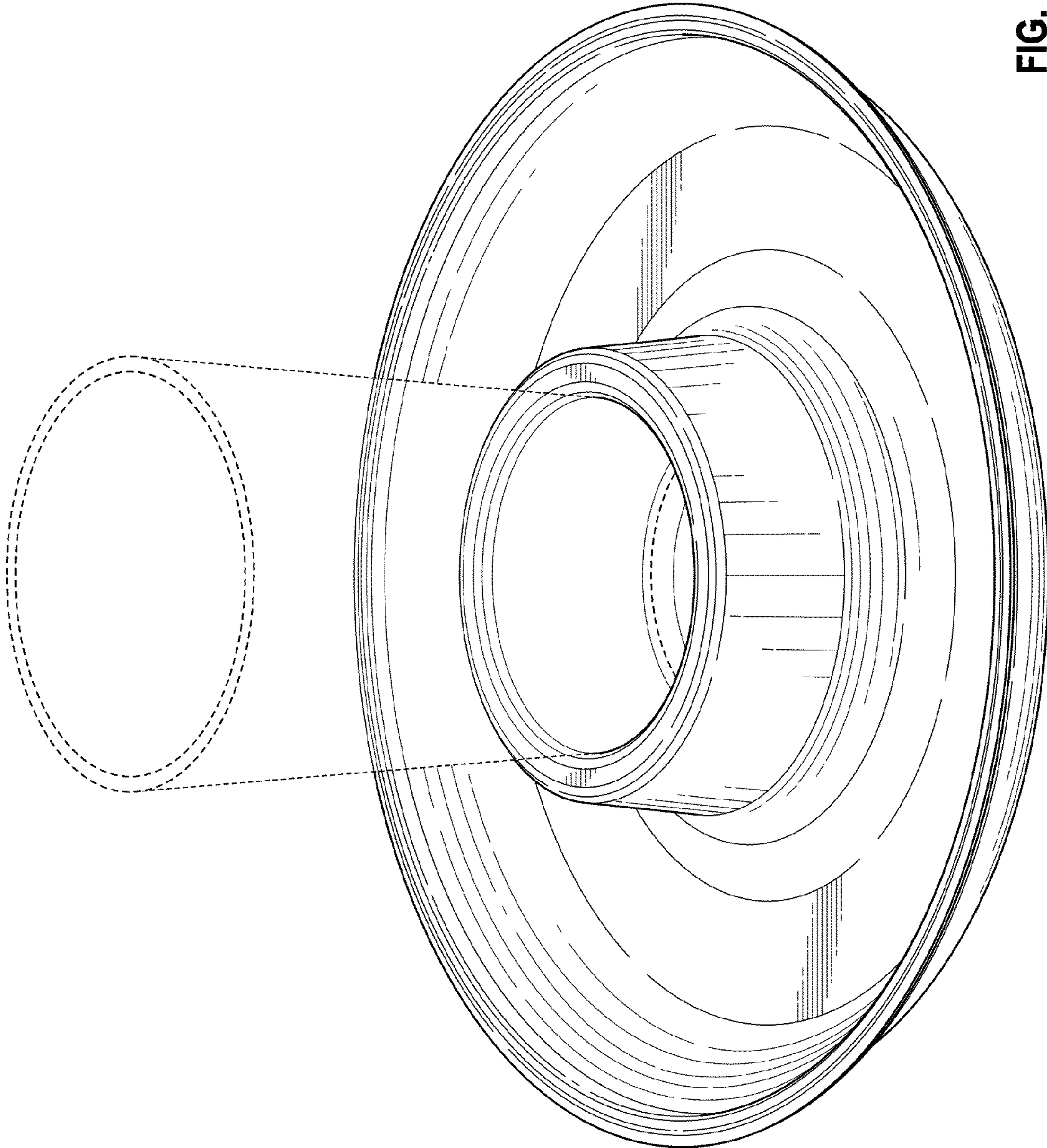


FIG. 1

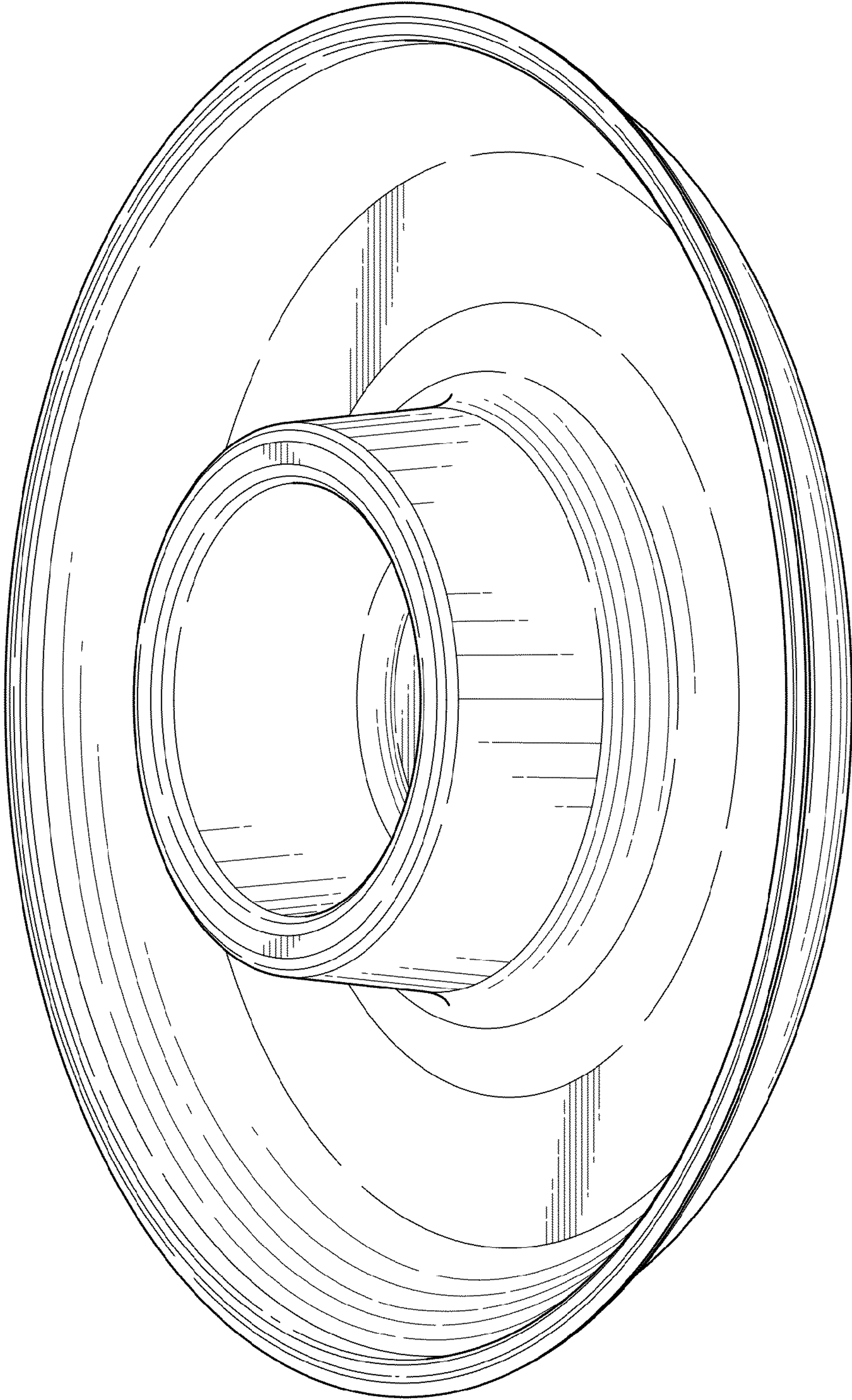


FIG. 2

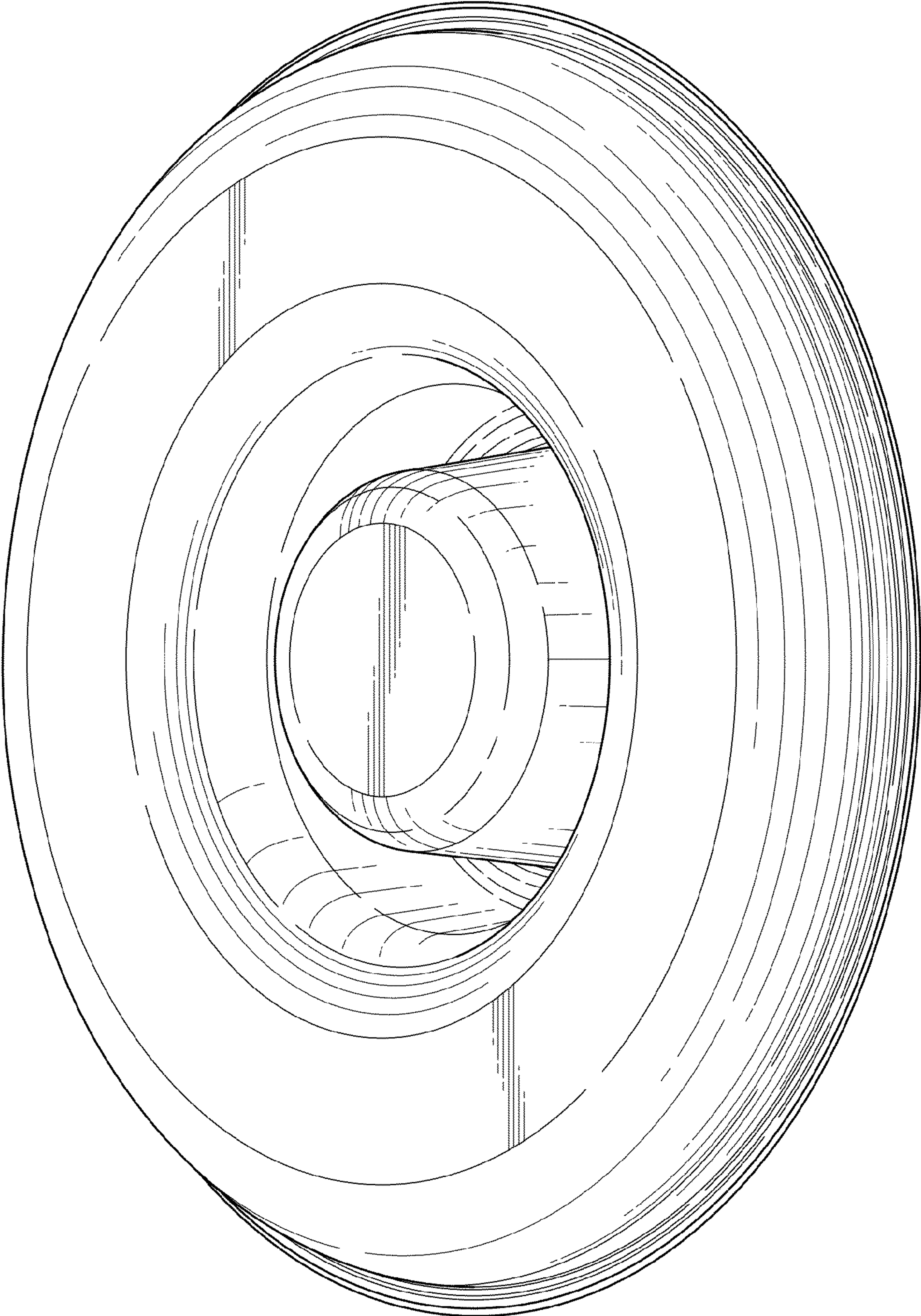


FIG. 3

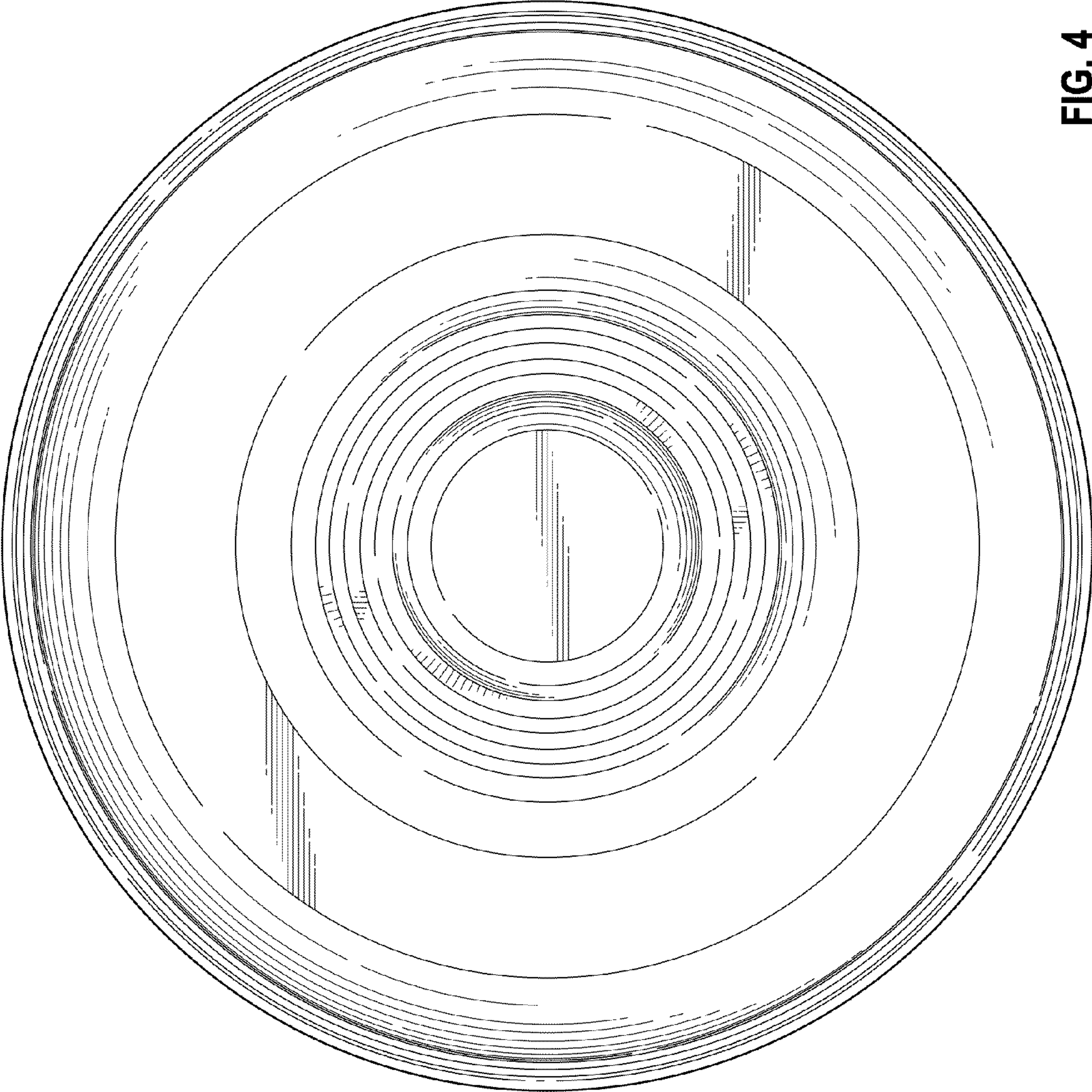


FIG. 4

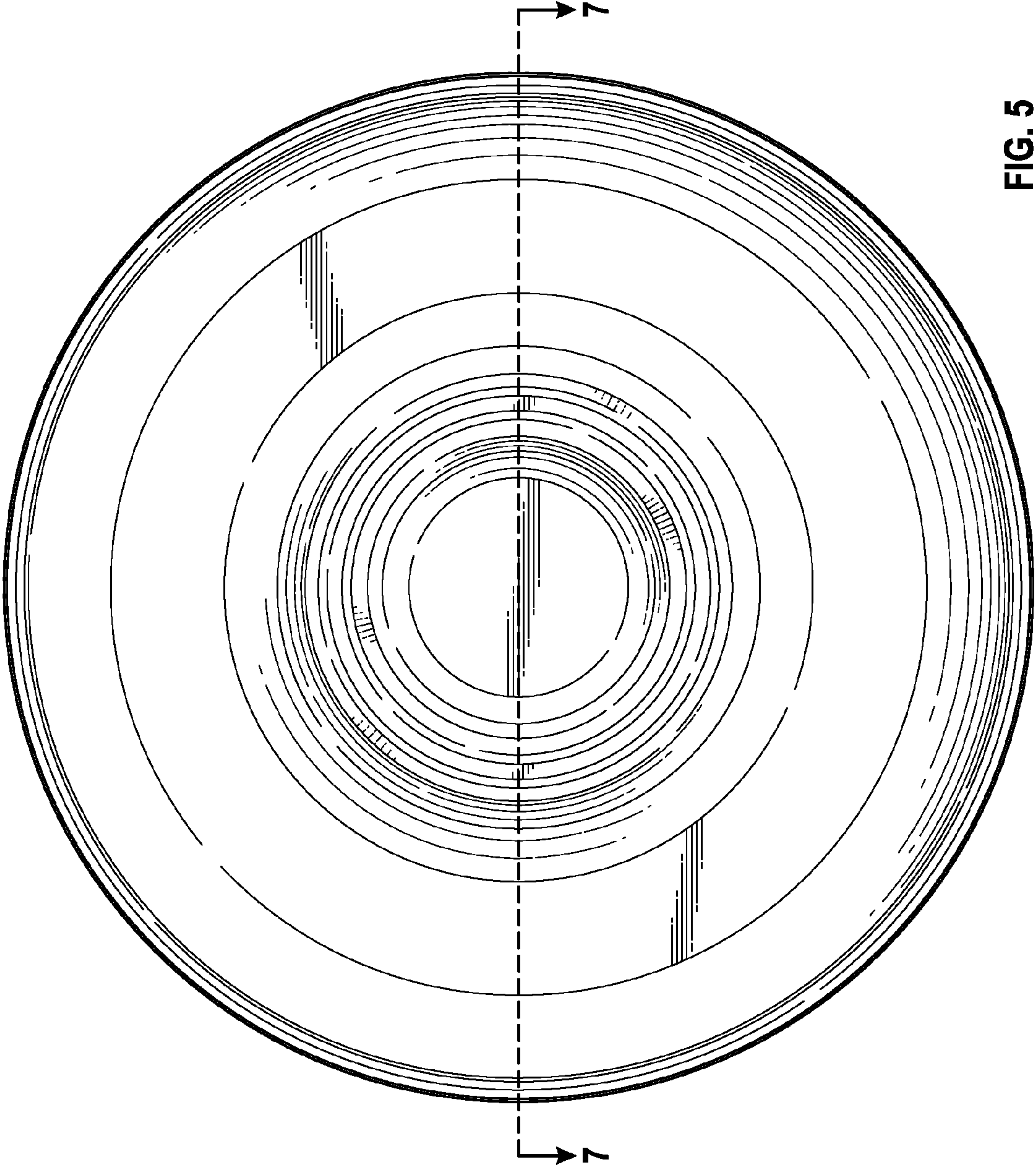


FIG. 5

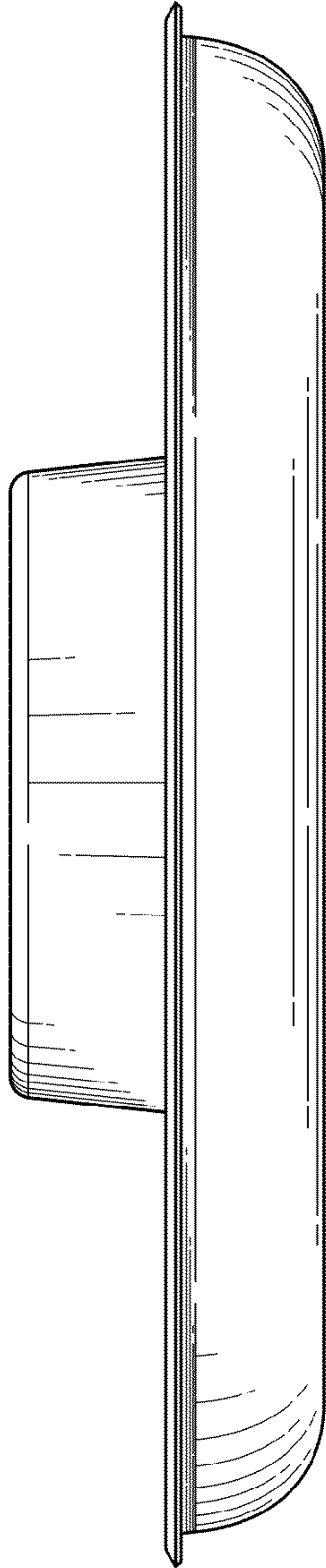


FIG. 6

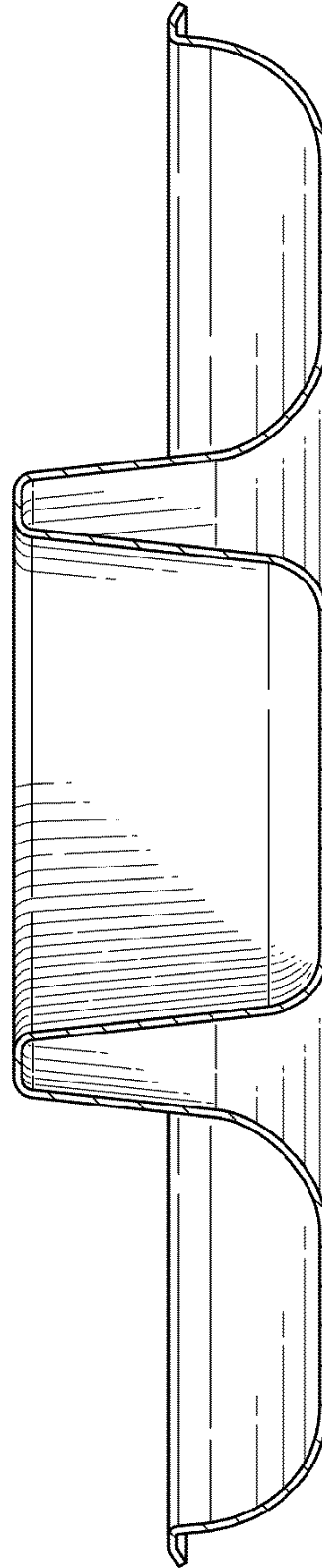


FIG. 7