



US00D704511S

(12) **United States Design Patent**
Beckman et al.

(10) **Patent No.:** **US D704,511 S**
(45) **Date of Patent:** **** May 13, 2014**

(54) **DRIP TRAY**

(71) Applicant: **Target Brands, Inc.**, Minneapolis, MN
(US)

(72) Inventors: **Jennifer Beckman**, Brooklyn Park, MN
(US); **Rebecca Robledo**, Minneapolis,
MN (US); **Megan Lee**, North Oaks, MN
(US); **Samuel Silva**, Coon Rapids, MN
(US)

(73) Assignee: **Target Brands, Inc.**, Minneapolis, MN
(US)

(**) Term: **14 Years**

(21) Appl. No.: **29/476,828**

(22) Filed: **Dec. 17, 2013**

(51) **LOC (10) Cl.** **07-01**

(52) **U.S. Cl.**

USPC **D7/552.2**

(58) **Field of Classification Search**

USPC D7/550.1, 552.2, 554.3, 554.4, 586;
D6/406.1, 406.2, 406.3, 406.4,
D6/419-420, 511, 604; 224/926;
108/43-44; D19/52; 220/574, 671

See application file for complete search history.

(56) **References Cited**

U.S. PATENT DOCUMENTS

788,431	A	4/1905	Schmieder	
2,591,467	A	4/1952	Rodefer	
2,897,963	A	8/1959	Byers, Jr.	
3,061,108	A	10/1962	Duggan	
3,199,438	A	8/1965	Myler et al.	
3,762,573	A	10/1973	Collins et al.	
D244,827	S	6/1977	Nevai	
D247,205	S *	2/1978	Mabugat	D6/406.6
D249,351	S *	9/1978	Mattera	D19/22
D308,497	S *	6/1990	Roche	D12/133
4,997,093	A	3/1991	Letteri, Jr.	

D326,795	S *	6/1992	Reitz et al.	D7/397
D330,987	S *	11/1992	Rosenthal	D6/566
D348,904	S *	7/1994	Linder	D19/92
D378,561	S *	3/1997	Ferris et al.	D7/554.3
D385,444	S *	10/1997	Welch et al.	D6/511
D405,646	S *	2/1999	Indekeu	D7/554.3
D407,948	S *	4/1999	Indekeu	D7/553.3
D417,786	S *	12/1999	Hwang et al.	D3/314
D418,646	S	1/2000	Hampshire	

(Continued)

OTHER PUBLICATIONS

“French Axis Rubber Boot Tray”, printed from www.ballarddesigns.com/rubber-boot-tray/accessories/customer-favorites/13312?defattrib=&defattribvalue=&listIndex=0, at least as early as Mar. 16, 2011 (3 pages).

(Continued)

Primary Examiner — Kelley Donnelly

(74) *Attorney, Agent, or Firm* — Griffiths & Seaton PLLC;
JoAnn M. Seaton

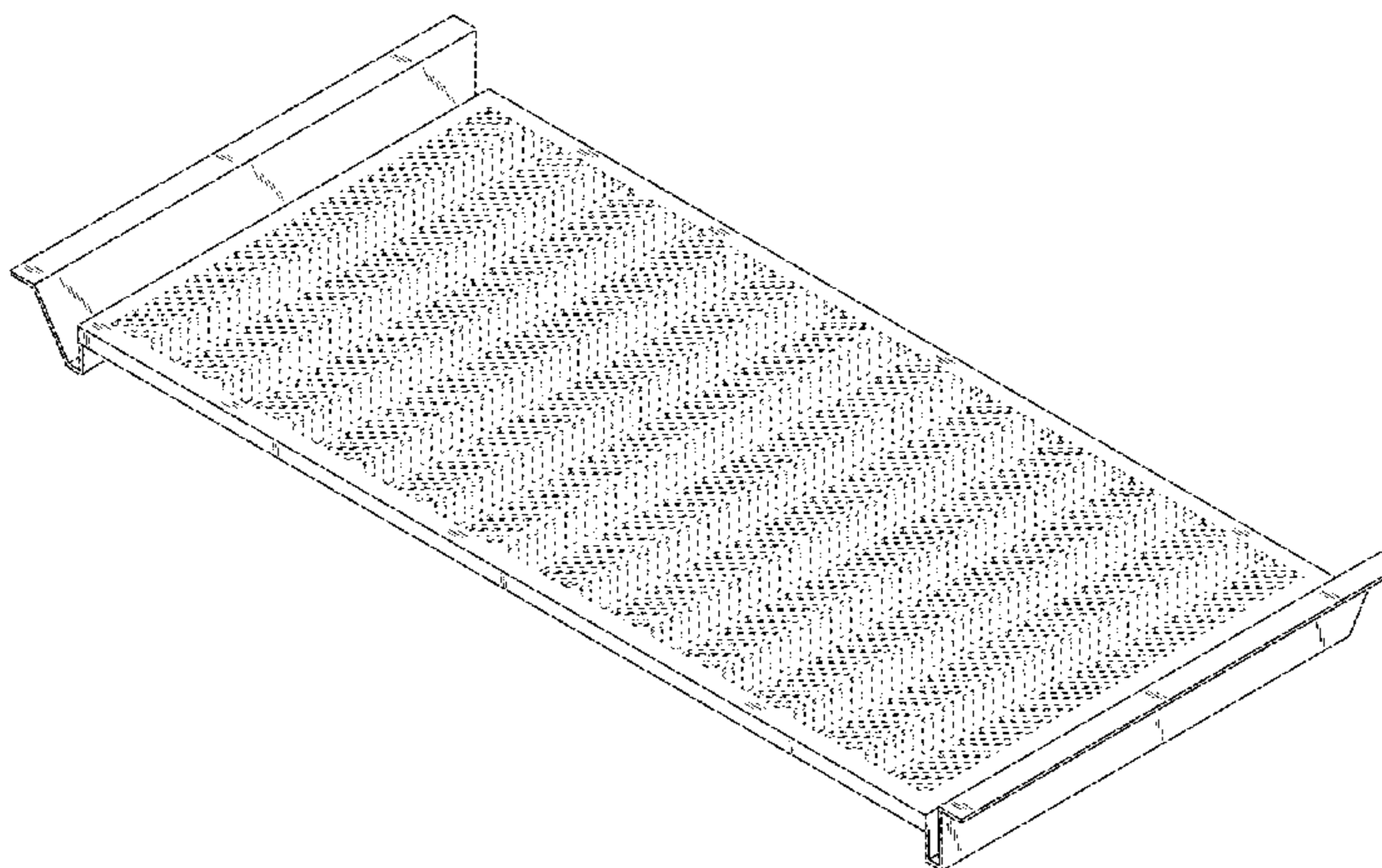
(57) **CLAIM**

The ornamental design for a drip tray, as shown and described.

DESCRIPTION

FIG. 1 is a front, perspective view of a drip tray showing a first embodiment of our new design;
FIG. 2 is a front view thereof, the rear view being a mirror image of the front view;
FIG. 3 is a right side view thereof, the left side view being a mirror image of the right side view;
FIG. 4 is a top view thereof;
FIG. 5 is a bottom view thereof; and,
FIG. 6 is a front, perspective view thereof illustrated with additional, unclaimed environmental subject matter.
The features shown in broken lines are holes of the drip tray or environmental subject matter to the drip tray forming no part of the claimed design.

1 Claim, 5 Drawing Sheets



(56)

References Cited

U.S. PATENT DOCUMENTS

D418,647 S 1/2000 Snell
 D421,548 S * 3/2000 Cornelissen D7/554.3
 D428,059 S * 7/2000 Saylor et al. D19/92
 D463,202 S * 9/2002 Smith D7/359
 6,502,733 B1 * 1/2003 Gebhardt et al. 220/23.86
 D470,712 S * 2/2003 Swinford et al. D7/360
 D485,458 S * 1/2004 Govrik et al. D6/511
 6,968,961 B1 * 11/2005 Peete 211/70.6
 D519,278 S * 4/2006 Boerma D3/304
 7,178,680 B2 2/2007 Botner
 D539,075 S * 3/2007 Schuler D7/354
 D551,467 S * 9/2007 Kassanoff et al. D6/510
 D553,905 S * 10/2007 Orr, Jr. D7/390
 D581,205 S * 11/2008 Simon et al. D7/354
 D589,222 S 3/2009 Gicela et al.
 D594,263 S 6/2009 Robbins, III
 D601,177 S * 9/2009 Rosso et al. D15/138
 D607,929 S * 1/2010 Suzuki et al. D18/56

7,766,174 B2 8/2010 Abraitis
 D662,781 S * 7/2012 Pallotto D7/552.1
 D677,155 S 3/2013 Miller et al.
 D679,144 S * 4/2013 Holding et al. D7/554.3
 D689,835 S * 9/2013 Smith D13/182
 D690,555 S * 10/2013 Feltner D7/406
 D699,371 S * 2/2014 Williams et al. D24/230
 2006/0065131 A1 3/2006 Taylor
 2006/0213843 A1 9/2006 Botner
 2008/0179264 A1 7/2008 Abrams

OTHER PUBLICATIONS

“Herb Planter Stand” printed from www.westelm.com/products/mrk-herb-planter-stand-d1034/?pkey...II-market-garden&cm_src=all-market-garden||NoFacet_-NoFacet_-___-_-, available at least as early as Apr. 19, 2013 (2 pages).
 Lynn, Stephanie, “Entryway & Mudroom Inspiration & Ideas”, printed from www.bystephanielynn.com/2011/02/entryway-mudroom-inspiration-ideas-coat.html, Feb. 5, 2011 (31 pages).

* cited by examiner

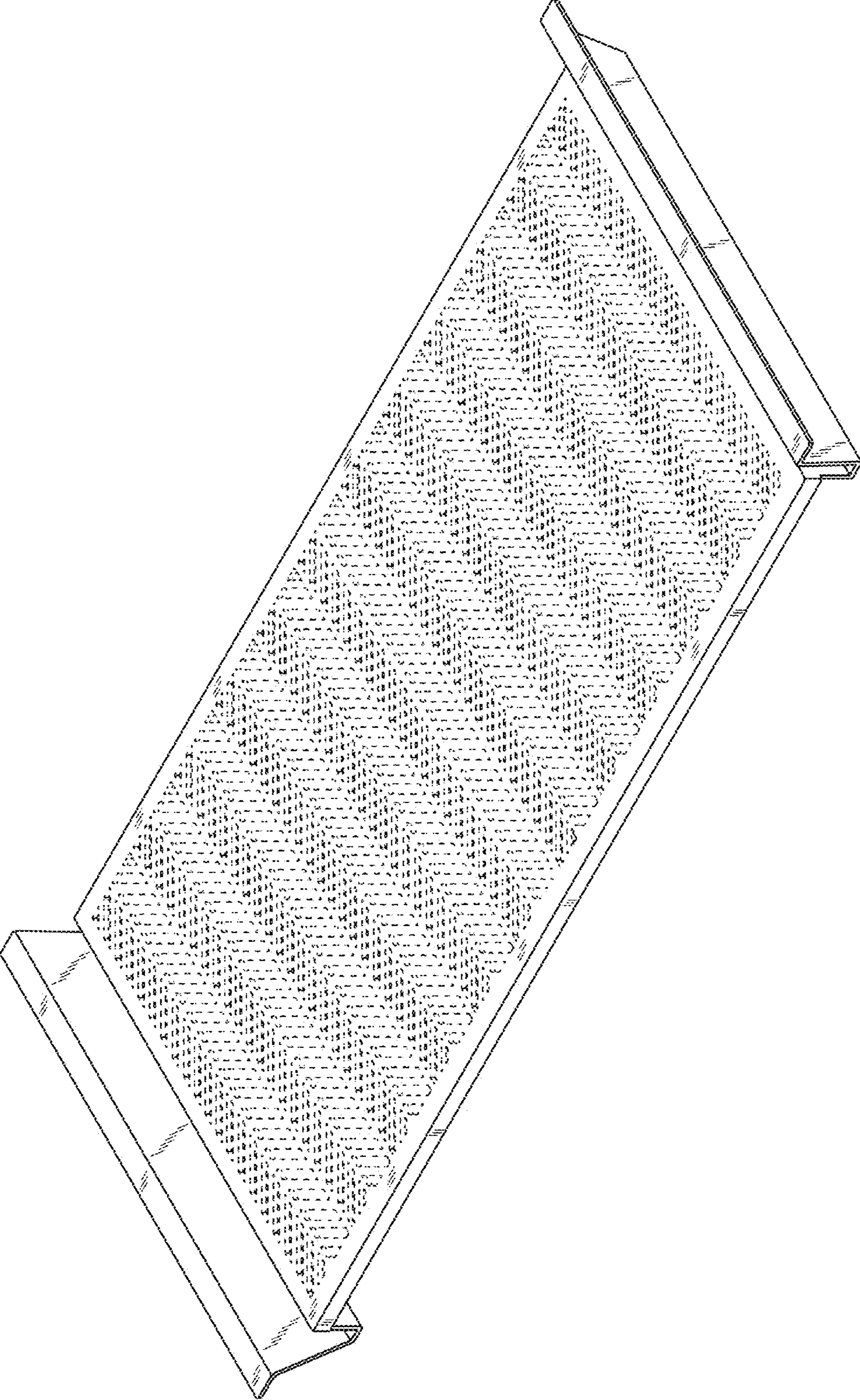


FIG. 1

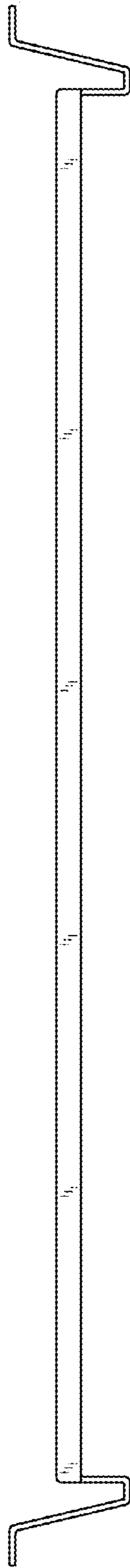


FIG. 2

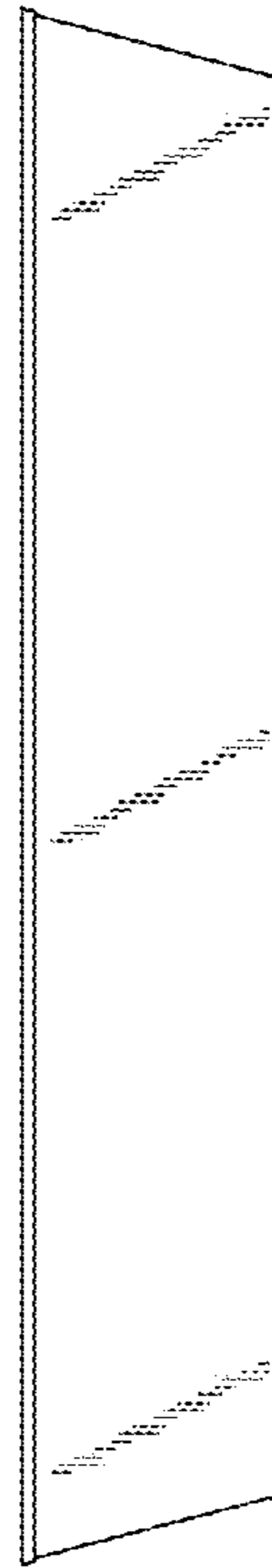


FIG. 3

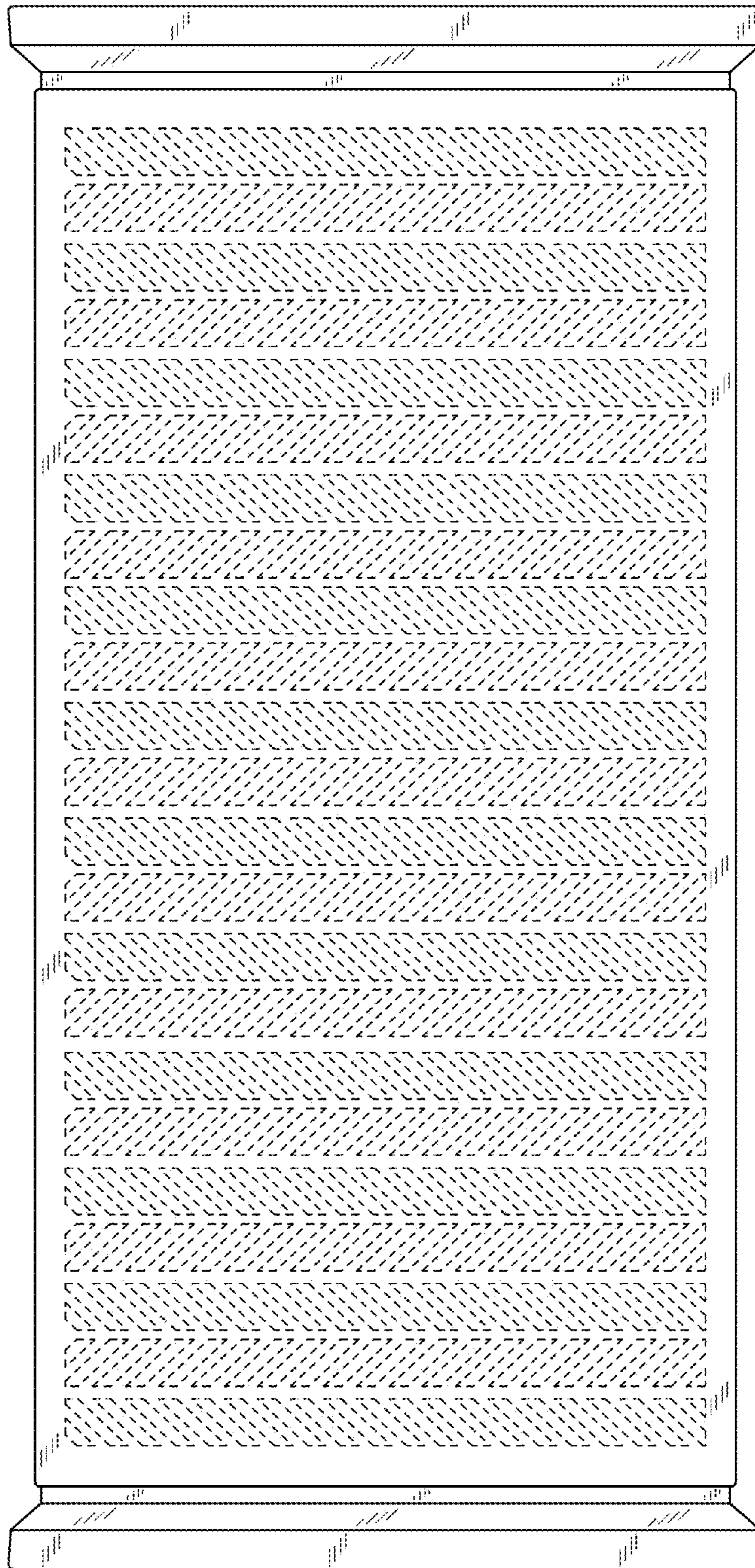


FIG. 4

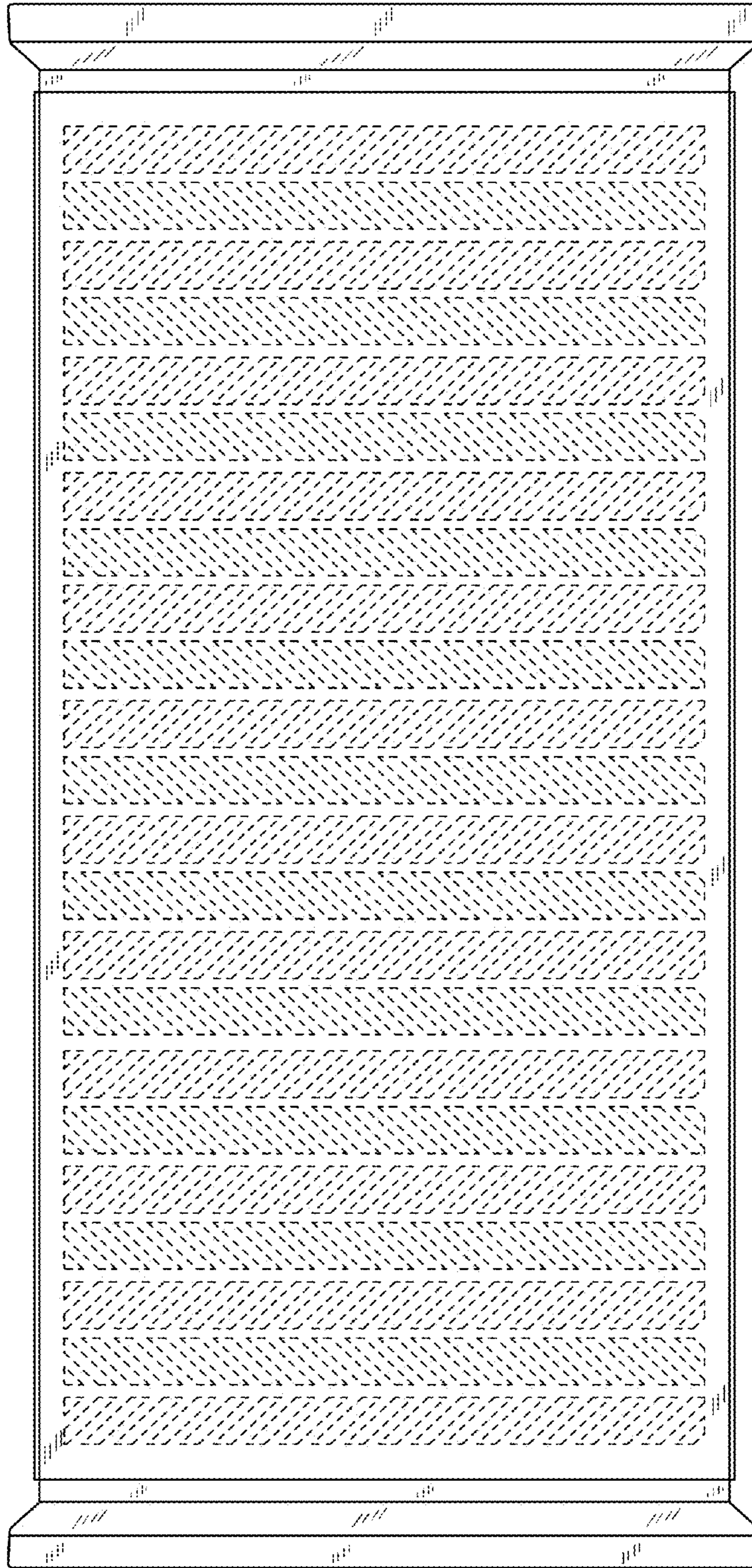


FIG. 5

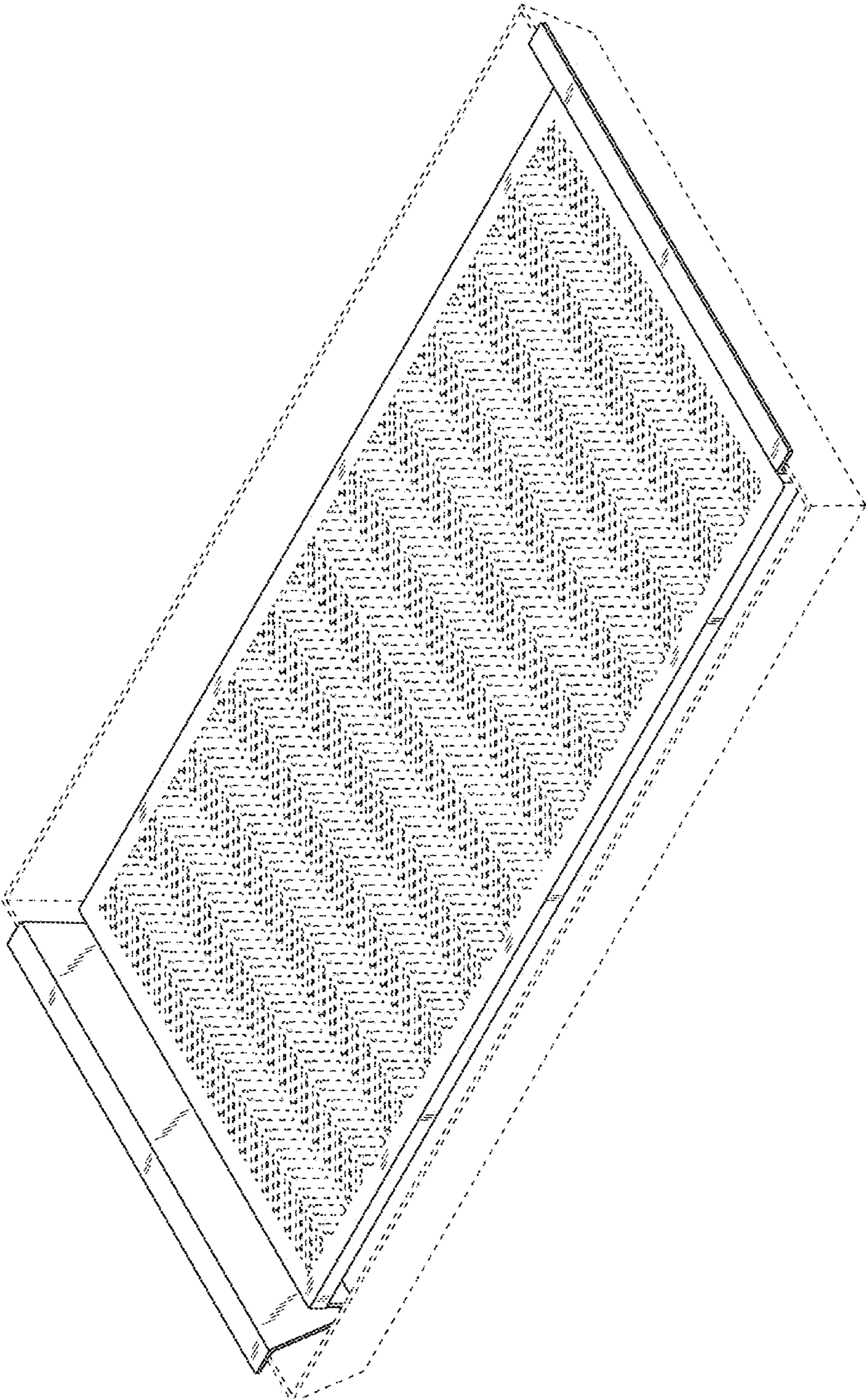


FIG. 6