



US00D704510S

(12) **United States Design Patent**
Mason et al.

(10) **Patent No.:** **US D704,510 S**
(45) **Date of Patent:** **** May 13, 2014**

(54) **BOTTLE**

(71) Applicant: **Cool Gear International, LLC**,
Plymouth, MA (US)

(72) Inventors: **John Mason**, Brockton, MA (US);
Donna Roth, Duxbury, MA (US)

(73) Assignee: **Cool Gear International, LLC**,
Plymouth, MA (US)

(**) Term: **14 Years**

(21) Appl. No.: **29/439,727**

(22) Filed: **Dec. 14, 2012**

(51) **LOC (10) Cl.** **07-01**

(52) **U.S. Cl.**
USPC **D7/510**

(58) **Field of Classification Search**
USPC D3/202; D7/213, 305, 392.1, 396.2,
D7/505, 507, 509, 510, 511, 523, 528, 532,
D7/533, 536; D9/447, 453, 454, 500, 780;
220/703, 705, 710, 713

See application file for complete search history.

(56) **References Cited**

U.S. PATENT DOCUMENTS

D263,024 S *	2/1982	Atkinson et al.	D9/780
D389,058 S *	1/1998	Landis	D9/438
D562,684 S *	2/2008	Brashear	D9/454
D576,878 S *	9/2008	Brashear	D9/453
D642,057 S *	7/2011	Reed et al.	D9/453
D674,279 S *	1/2013	Lembke et al.	D9/500
D682,612 S *	5/2013	Rzepecki	D7/392.1
D686,074 S *	7/2013	Brinckerhoff et al.	D9/447
2007/0029334 A1 *	2/2007	Bagley	220/705

OTHER PUBLICATIONS

Ball 1 Gallon (128-oz) Decorative Jar, <http://www.freshpreservingstore.com/ball-1-gallon-128-oz-decorative-jar/shop/383213/> (Nov. 26, 2012).

5 Uses for Mason Jars, Plus Your Invitation to Join Alice.com!, <http://girlpon.net/blog/5-mason-jars-invitation-join-alice-com/> (May 15, 2012).

Ball 1 Quart (32-oz.) Wide Mouth Jars, Set of 12, <http://www.freshpreservingstore.com/ball-1-quart-32-oz-wide-mouth-jars-set-of-12/shop/383206/> (Nov. 26, 2012).

67000 Ball Qt Mason Jar WM 12-pack, http://www.amazon.com/67000-Ball-Mason-Jar-12-pack/dp/B000BWZ7QO/ref=sr_1_1?ie=UTF8&qid=1363030445&sr=8-1&keywords=67000+ball+qt+mason+jar+wm+12-pack (Nov. 26, 2012).

* cited by examiner

Primary Examiner — Robert M Spear

Assistant Examiner — Marissa Cash

(74) *Attorney, Agent, or Firm* — Edwards Wildman Palmer LLP; Steven M. Jensen; Adam P. Daniels

(57) **CLAIM**

The ornamental design for a bottle, as shown and described.

DESCRIPTION

FIG. 1 is a perspective view of a bottle according to the present invention.

FIG. 2 is a front side elevation view of the bottle shown in FIG. 1.

FIG. 3 is a back side elevation view of the bottle shown in FIG. 1, seen from an opposite side to that shown in FIG. 2.

FIG. 4 is a left side elevation view of the bottle shown in FIG. 1.

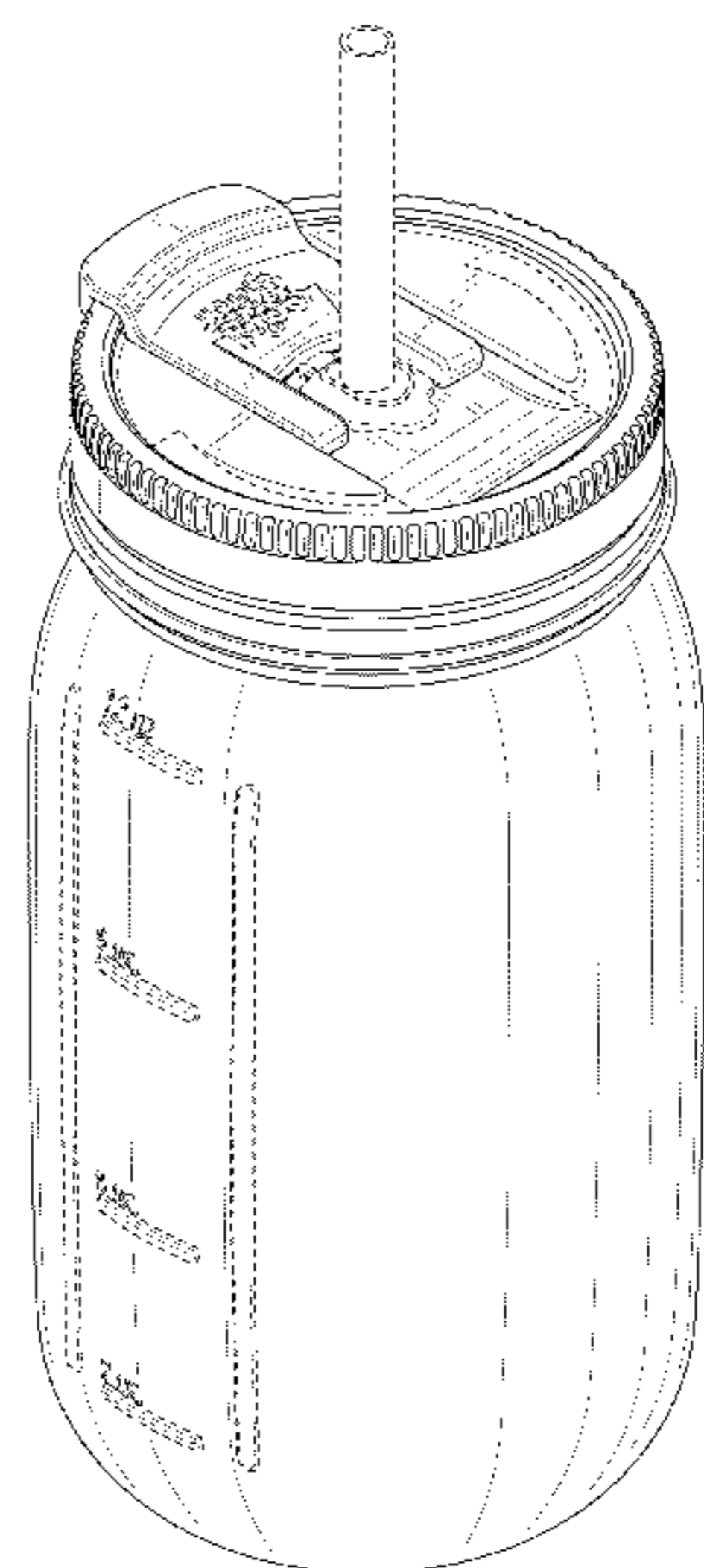
FIG. 5 is a right side elevation view of the bottle shown in FIG. 1, seen from an opposite side to that shown in FIG. 4.

FIG. 6 is a plan view of the bottle shown in FIG. 1 seen from above; and,

FIG. 7 is a plan view of the bottle shown in FIG. 1 seen from below.

The broken lines in the drawings represent unclaimed environmental subject matter and form no part of the claim.

1 Claim, 7 Drawing Sheets



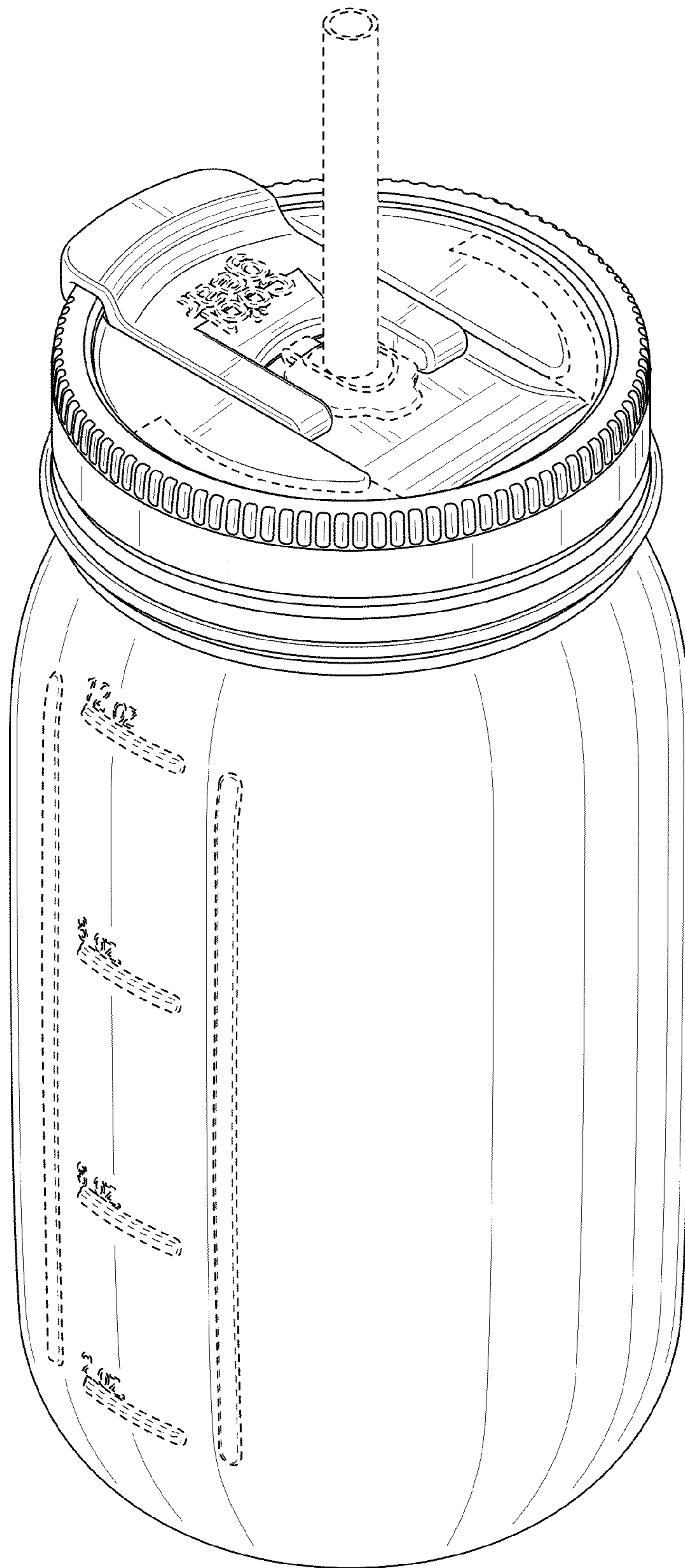


FIG. 1



FIG. 2

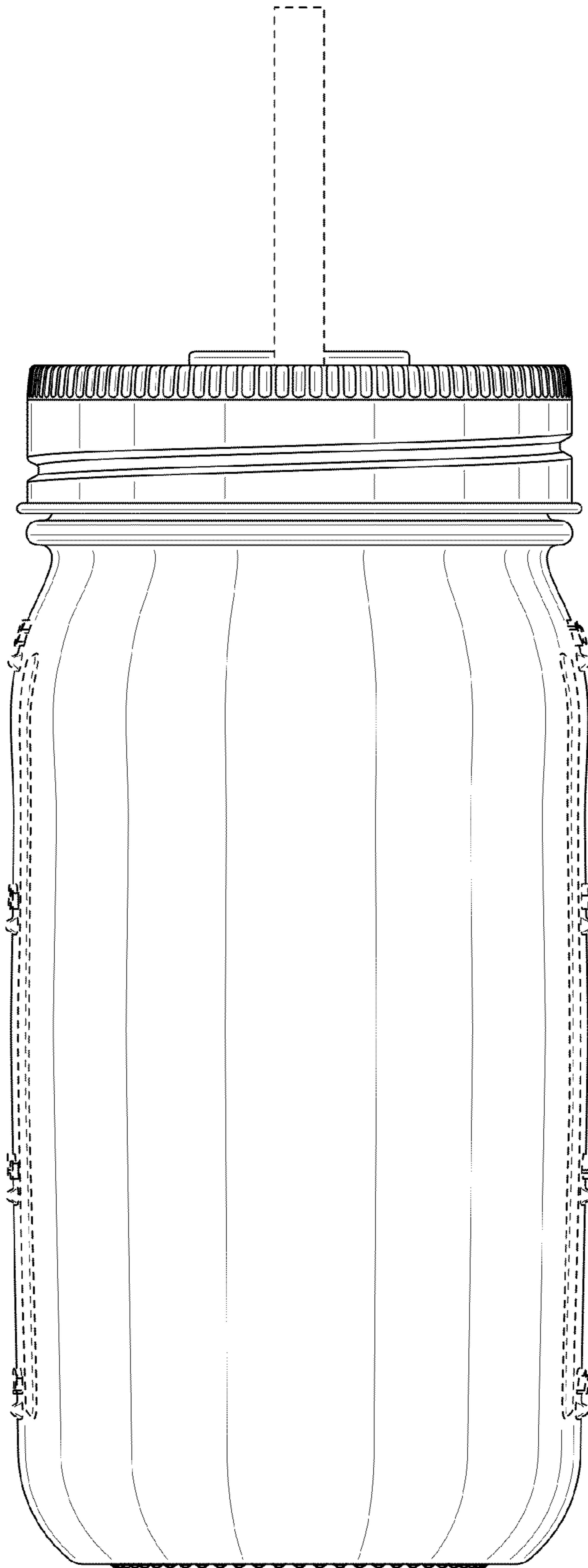


FIG. 3

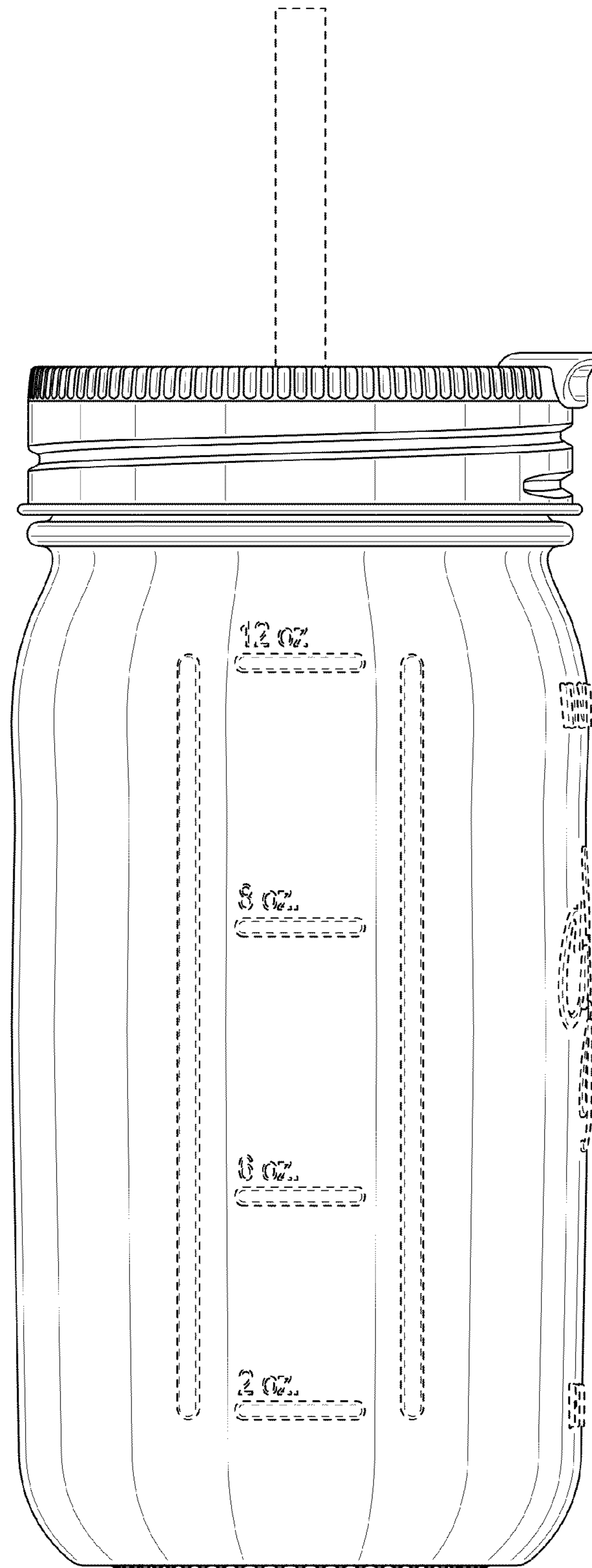


FIG. 4

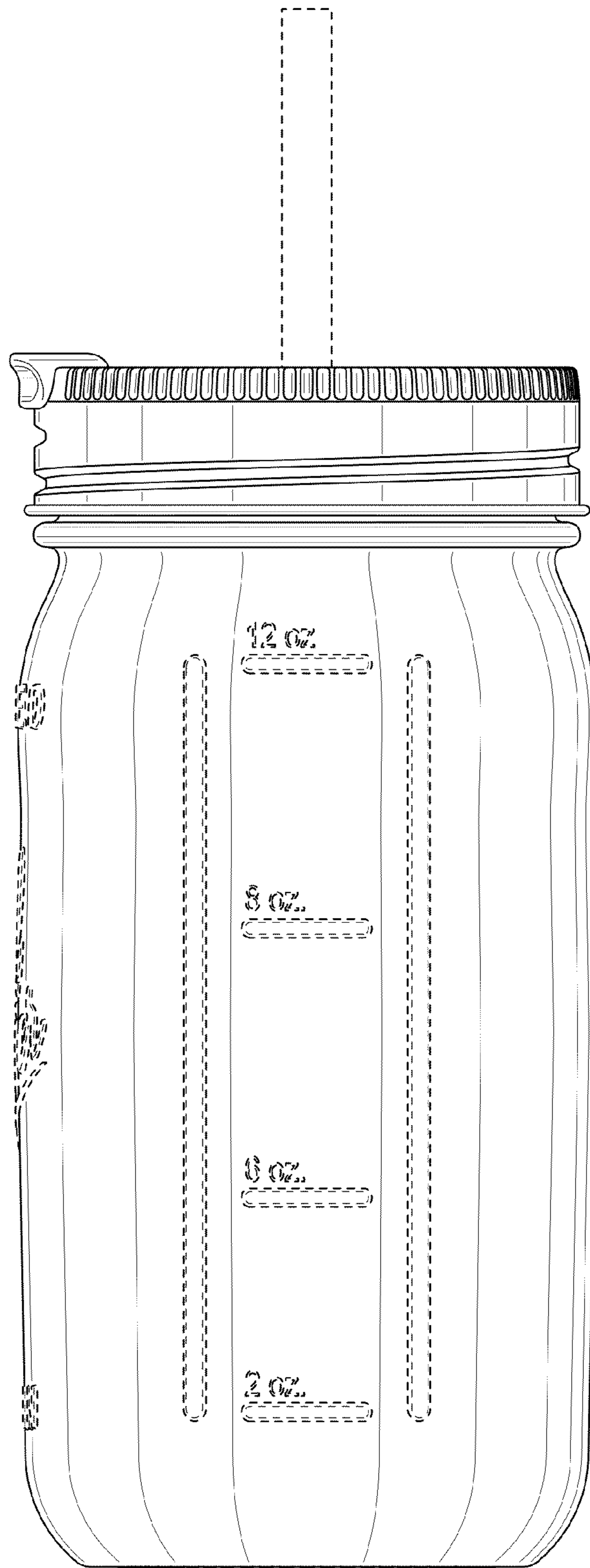


FIG. 5

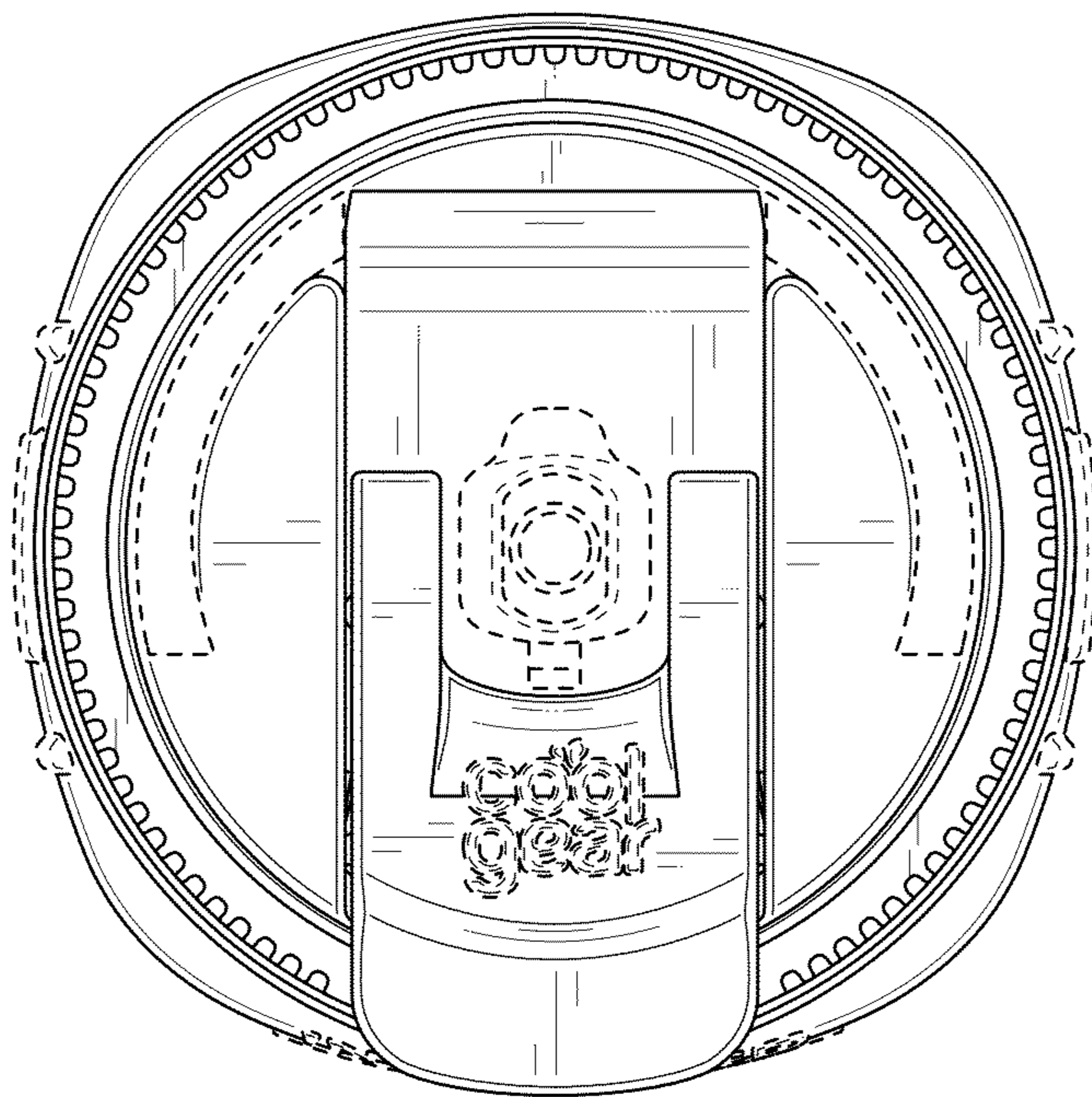


FIG. 6

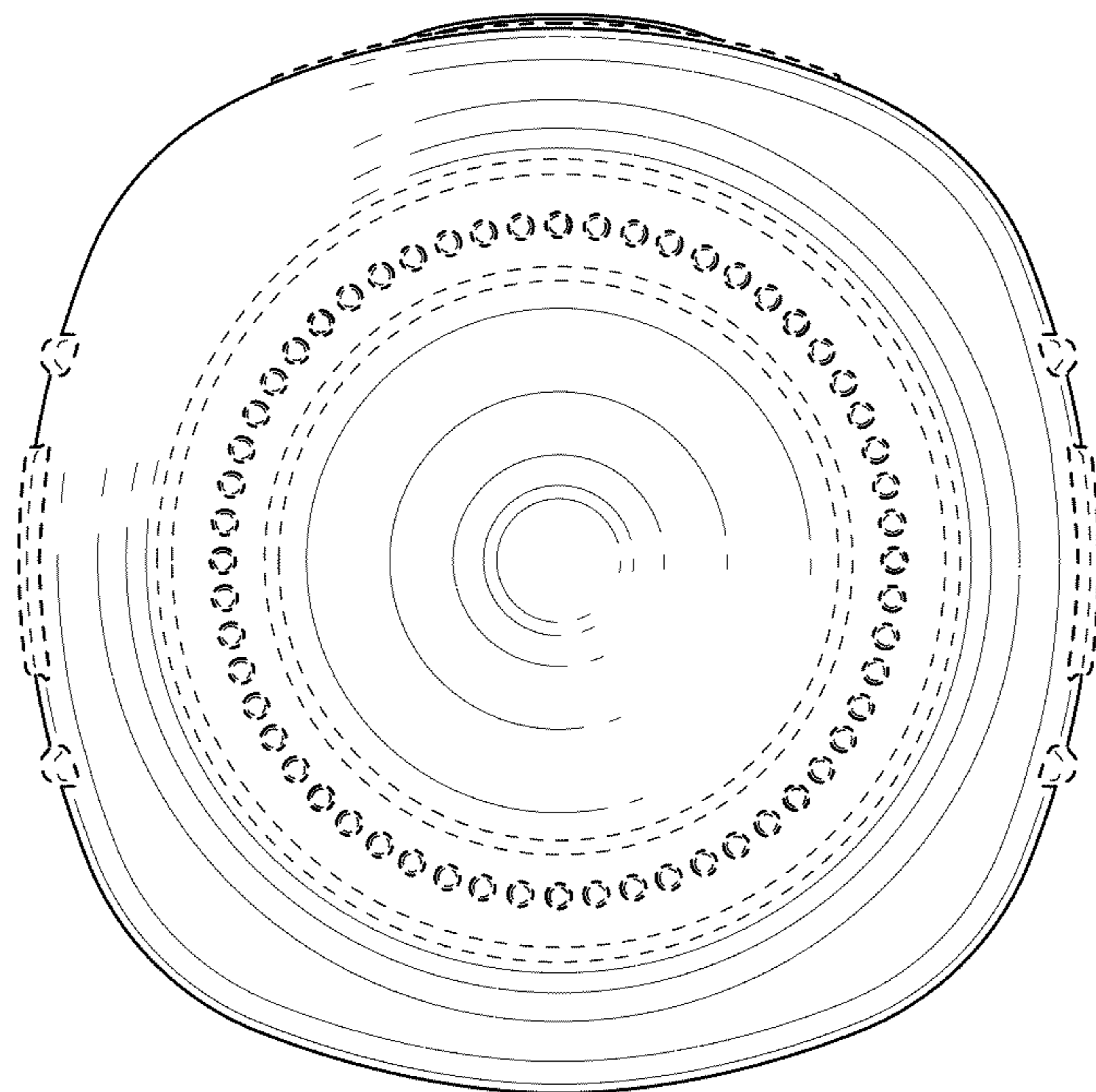


FIG. 7