



US00D704508S

(12) **United States Design Patent**
Nordwall

(10) **Patent No.:** **US D704,508 S**

(45) **Date of Patent:** **** May 13, 2014**

(54) **GAS COOKTOP AND CONTROL PANEL**

(71) Applicant: **Electrolux Professional S.p.A.**,
Pordenone (IT)

(72) Inventor: **Joachim Nordwall**, Stockholm (SE)

(73) Assignee: **Electrolux Professional S.p.A.** (IT)

(**) Term: **14 Years**

(21) Appl. No.: **29/434,610**

(22) Filed: **Oct. 15, 2012**

(30) **Foreign Application Priority Data**

Apr. 13, 2012 (EM) 002025221

(51) **LOC (10) Cl.** **07-02**

(52) **U.S. Cl.**
USPC **D7/407; D7/406; D7/346**

(58) **Field of Classification Search**
USPC D7/340, 346, 348, 350.1–350.4, 351,
D7/402–408; 219/756–758, 391, 393, 395,
219/401; 126/19 M, 275 E; 99/348, 353,
99/367, 468; D32/3, 28
See application file for complete search history.

(56) **References Cited**

U.S. PATENT DOCUMENTS

D236,418 S *	8/1975	Duperow	D7/407
D369,061 S *	4/1996	Holbrook, Jr.	D7/408
D369,517 S *	5/1996	Ferlin	D7/407
D461,090 S *	8/2002	Rummel et al.	D7/408
D468,161 S *	1/2003	Goodwin	D7/408
D470,359 S *	2/2003	Jones et al.	D7/408
D481,589 S *	11/2003	Becker et al.	D7/408
D486,690 S *	2/2004	Becker et al.	D7/408
D489,933 S *	5/2004	Rummel et al.	D7/346
D492,545 S *	7/2004	Becker et al.	D7/408
D494,414 S *	8/2004	Becker et al.	D7/408
D495,202 S *	8/2004	Becker et al.	D7/408

D495,203 S *	8/2004	Becker et al.	D7/408
D495,924 S *	9/2004	Becker et al.	D7/408
D502,632 S *	3/2005	Becker et al.	D7/408
D524,105 S *	7/2006	Poltronieri	D7/407
D524,601 S *	7/2006	Vetter	D7/408
D550,031 S *	9/2007	Pino et al.	D7/408
D550,505 S *	9/2007	Pino et al.	D7/408
D551,501 S *	9/2007	Baldwin	D7/408
D557,069 S *	12/2007	Shin et al.	D7/408
D564,296 S *	3/2008	Koch et al.	D7/407
D564,838 S *	3/2008	Shin et al.	D7/408
D565,897 S *	4/2008	Pryor	D7/407
D565,898 S *	4/2008	Pryor	D7/407
D577,255 S *	9/2008	Baldwin et al.	D7/408
D622,543 S *	8/2010	Funnell et al.	D7/408
D628,431 S *	12/2010	Funnell et al.	D7/346
D628,438 S *	12/2010	Knochner	D7/405
D629,638 S *	12/2010	Funnell et al.	D7/346
D682,614 S *	5/2013	Loyd	D7/406
D684,422 S *	6/2013	Funnell et al.	D7/406

* cited by examiner

Primary Examiner — T. Chase Nelson

Assistant Examiner — Mark Cavanna

(74) *Attorney, Agent, or Firm* — Banner & Witcoff, Ltd.

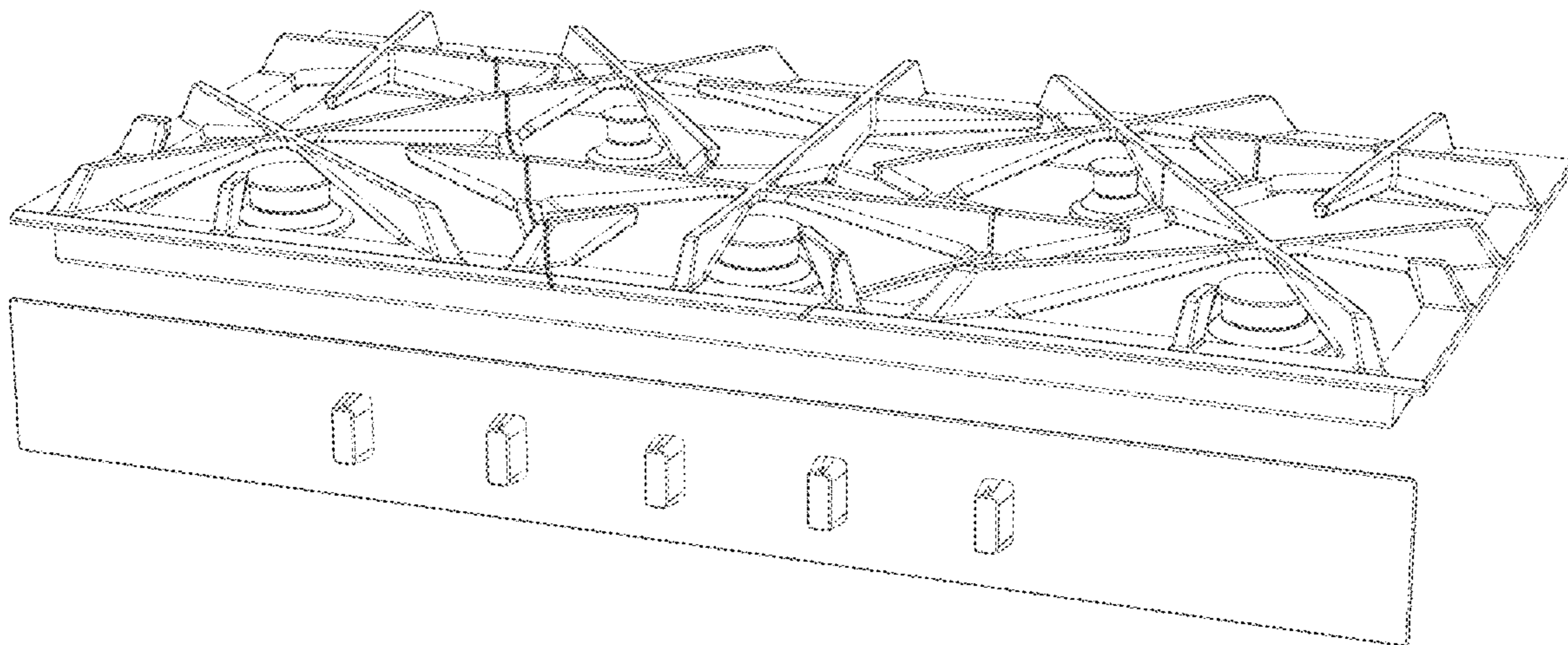
(57) **CLAIM**

The ornamental design for a gas cooktop and control panel, as shown and described.

DESCRIPTION

FIG. 1 is a front perspective view of a gas cooktop and an exploded view of a control panel showing my new design; FIG. 2 is a front view thereof; FIG. 3 is a rear view thereof; FIG. 4 is a left side view thereof; FIG. 5 is a right side view thereof; and, FIG. 6 is a top view thereof. The broken line showing of the remainder of the cooktop and control panel is for environmental purposes only and form no part of the claimed design.

1 Claim, 6 Drawing Sheets



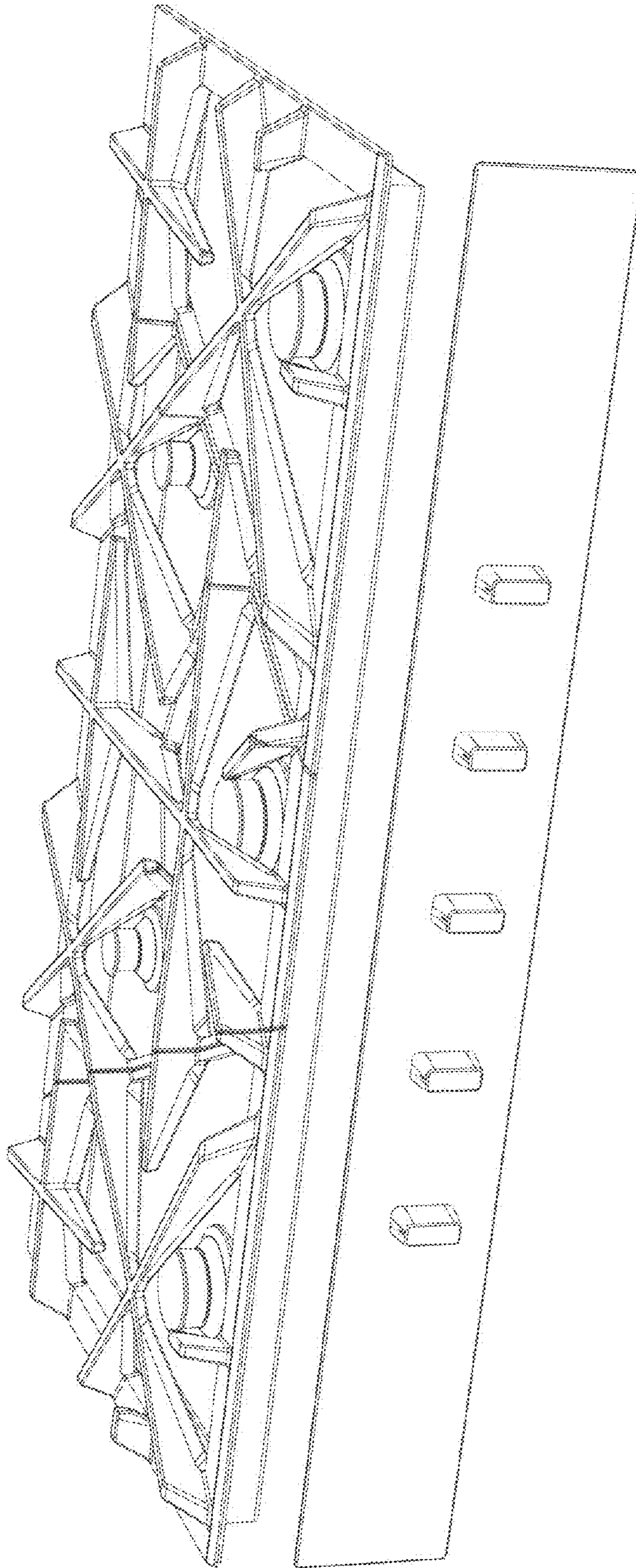


FIG. 1

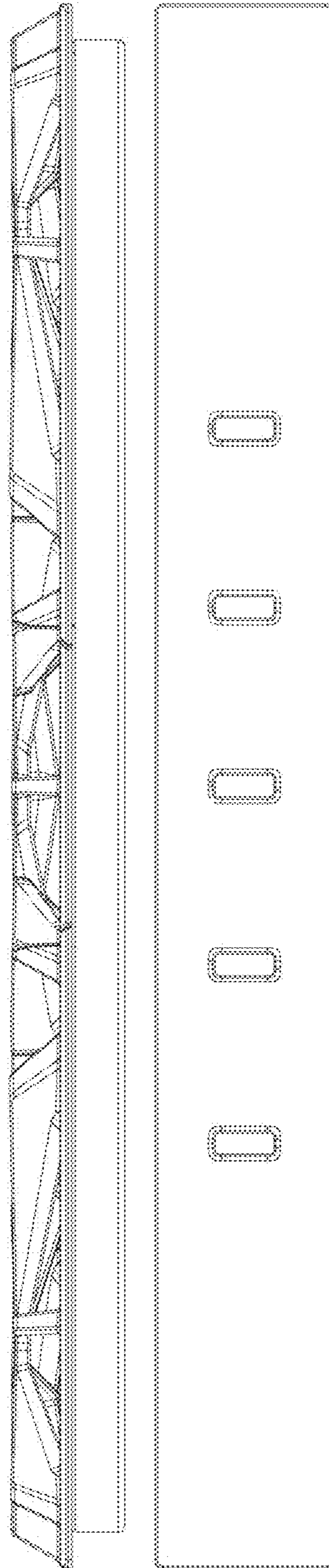


FIG. 2

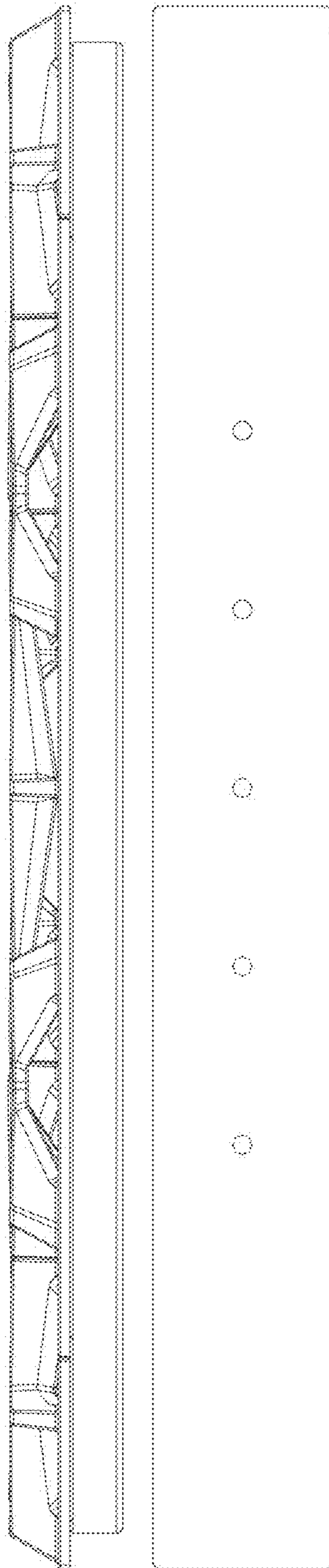


FIG. 3

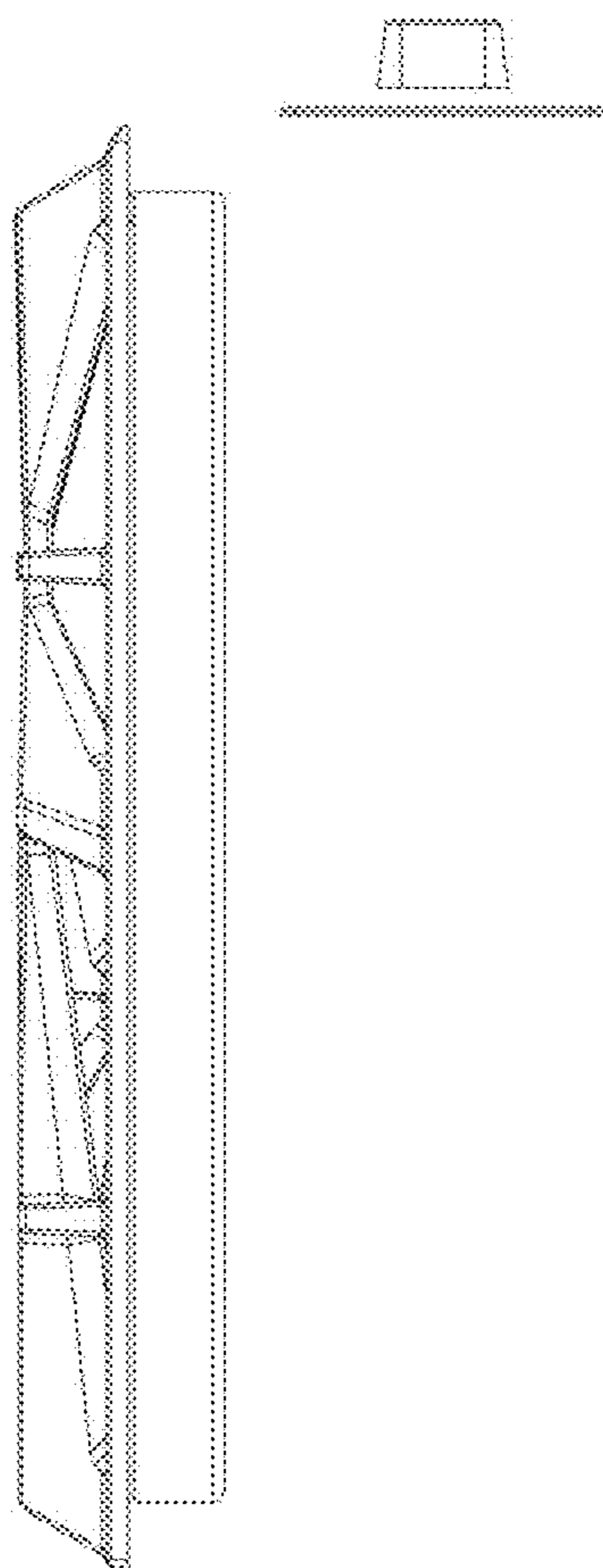


FIG. 4

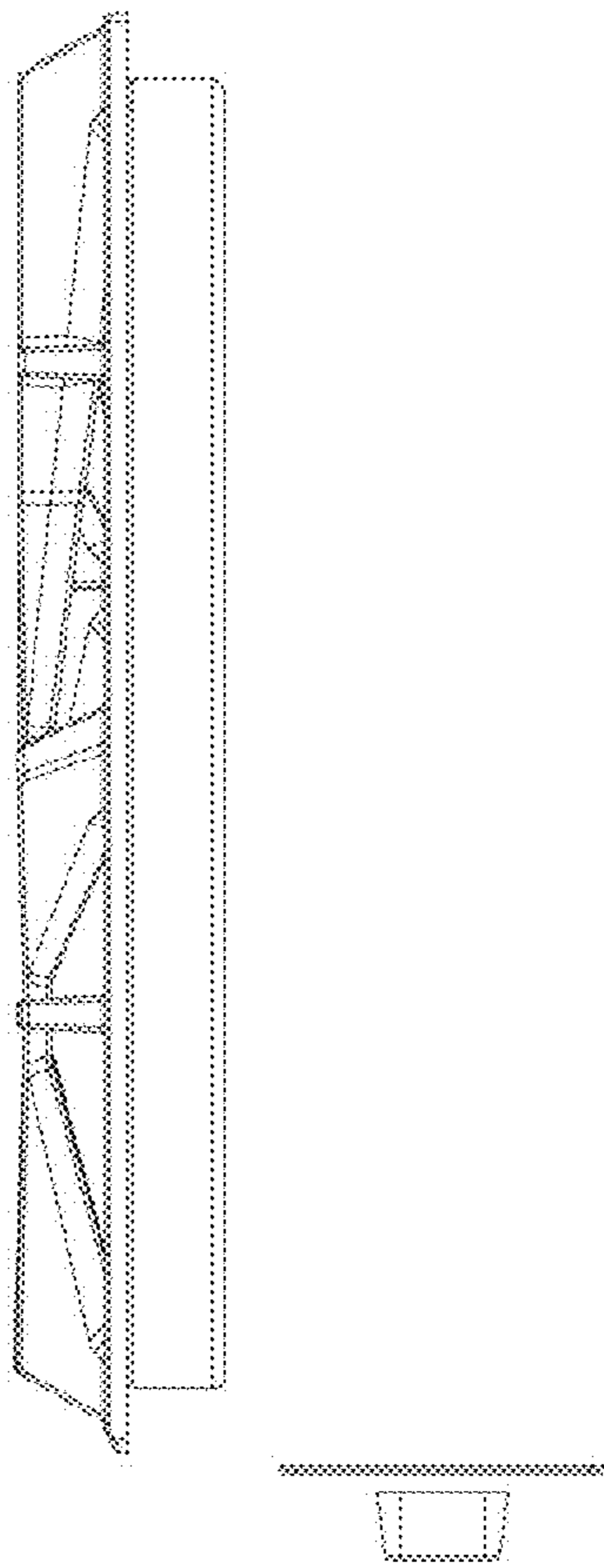


FIG. 5

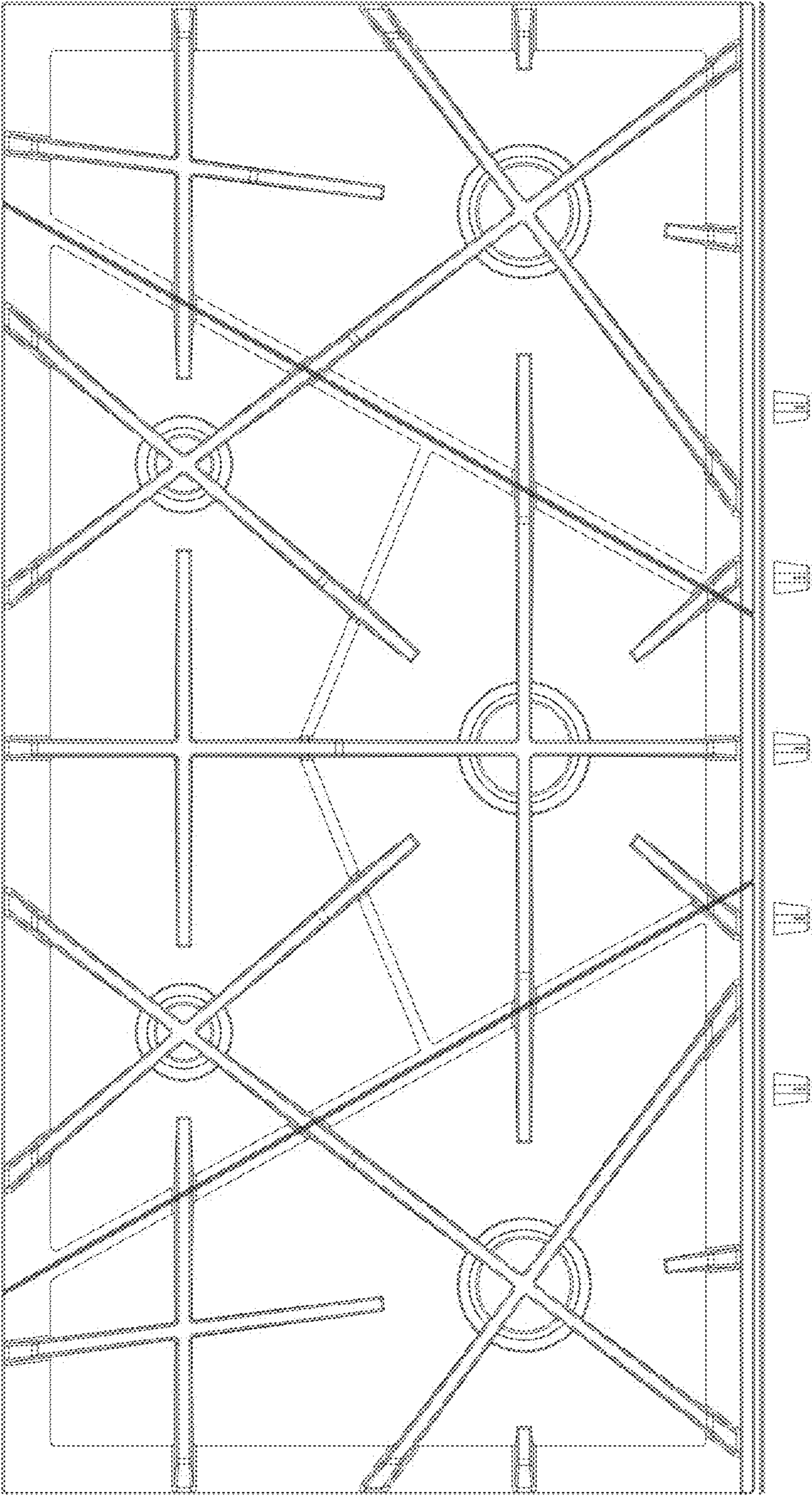


FIG. 6