



US00D704506S

(12) **United States Design Patent**  
**Boo et al.**

(10) **Patent No.:** **US D704,506 S**

(45) **Date of Patent:** **\*\* May 13, 2014**

(54) **COOKTOP PANEL**

(71) Applicant: **Samsung Electronics Co., Ltd.**,  
Suwon-si (KR)

(72) Inventors: **Min-Hyoug Boo**, Seoul (KR);  
**Kang-Doo Kim**, Seoul (KR)

(73) Assignee: **Samsung Electronics Co., Ltd.**,  
Suwon-si (KR)

(\*\*) Term: **14 Years**

(21) Appl. No.: **29/455,978**

(22) Filed: **May 28, 2013**

(30) **Foreign Application Priority Data**

Dec. 5, 2012 (KR) ..... 30-2012-0058449

(51) **LOC (10) Cl.** ..... **07-02**

(52) **U.S. Cl.**  
USPC ..... **D7/402**

(58) **Field of Classification Search**  
USPC ..... D7/323, 340-348, 402-409, 362;  
126/39 B, 211, 214 C, 214 R, 215-218,  
126/152 R; 219/460.1, 506  
See application file for complete search history.

(56) **References Cited**

**U.S. PATENT DOCUMENTS**

D230,390 S *	2/1974	Tyka et al.	.....	D7/346
D271,269 S *	11/1983	Vetter et al.	.....	D7/407
D277,448 S *	2/1985	Vetter et al.	.....	D7/346
D277,449 S *	2/1985	Vetter et al.	.....	D7/346
D384,239 S *	9/1997	Wilsdorf	.....	D7/346
D386,945 S *	12/1997	Mendoza et al.	.....	D7/402
D422,839 S *	4/2000	Marchand	.....	D7/405
6,263,869 B1 *	7/2001	Abernethy	.....	126/211
D462,573 S *	9/2002	Staebler et al.	.....	D7/407
D462,866 S *	9/2002	Resuello et al.	.....	D7/346
D464,845 S *	10/2002	Shin	.....	D7/346
D495,919 S *	9/2004	De Mello	.....	D7/340

(Continued)

*Primary Examiner* — T. Chase Nelson

*Assistant Examiner* — Mark Cavanna

(74) *Attorney, Agent, or Firm* — NSIP Law

(57) **CLAIM**

The ornamental design for a cooktop panel, as shown and described.

**DESCRIPTION**

FIG. 1 is a perspective view of a cooktop panel, showing our new design;

FIG. 2 is a front view thereof;

FIG. 3 is a rear view thereof;

FIG. 4 is a left-side view thereof;

FIG. 5 is a right-side view thereof;

FIG. 6 is a top plan view thereof;

FIG. 7 is a bottom plan view thereof;

FIG. 8 is a perspective view of a cooktop panel of FIG. 1, in which a home appliance in broken lines is provided to illustrate an example environment;

FIG. 9 is an enlarged view of the portion "9" encircled in FIG. 1;

FIG. 10 is an enlarged view of the portion "10" encircled in FIG. 1;

FIG. 11 is an enlarged view of the portion "11" encircled in FIG. 2;

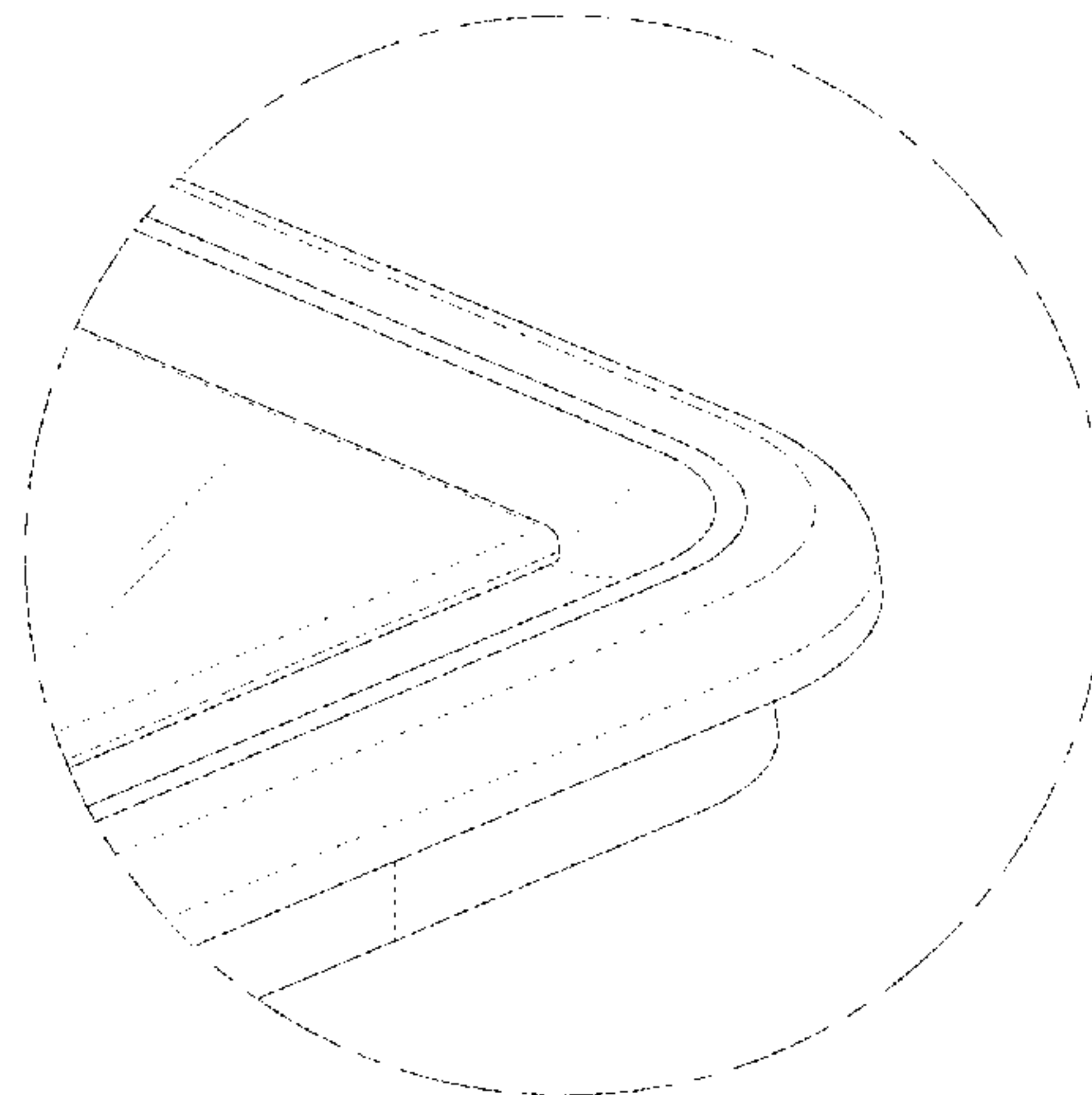
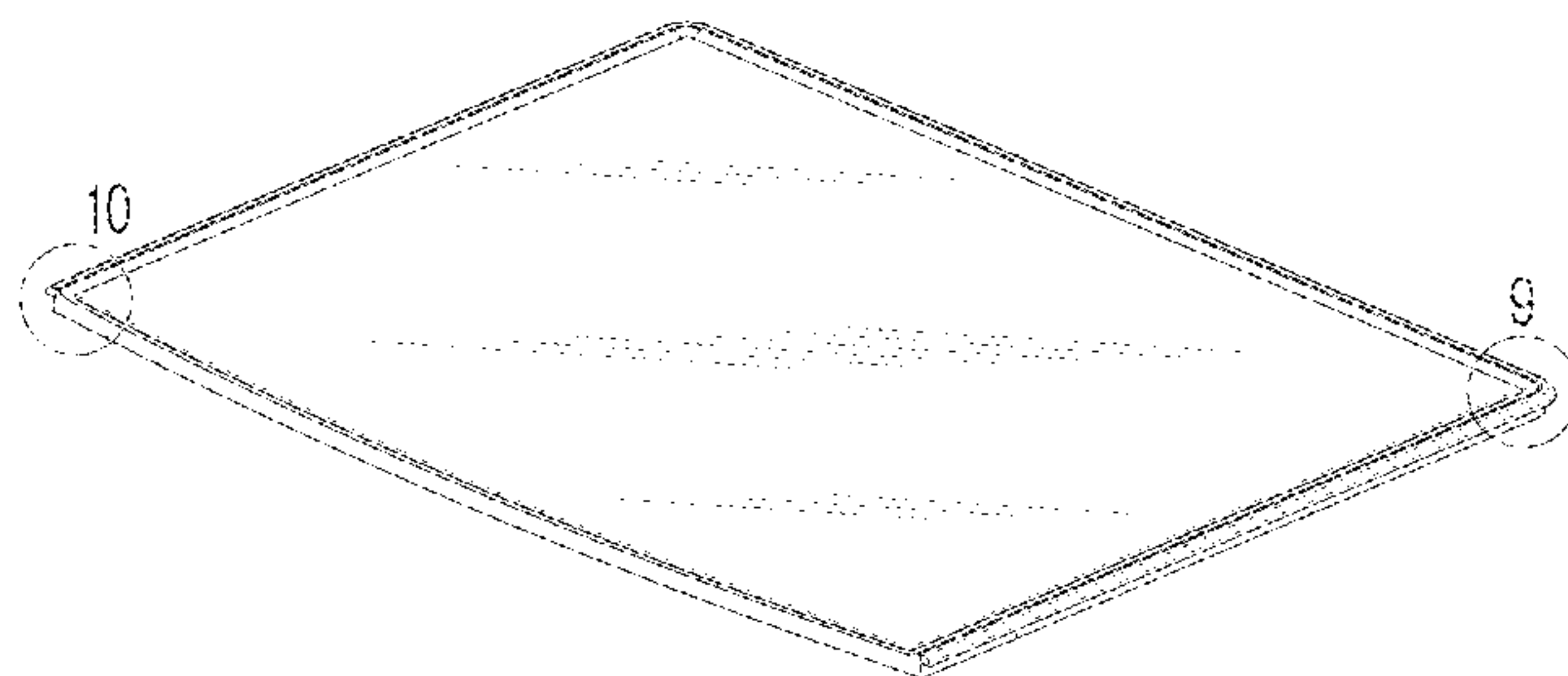
FIG. 12 is an enlarged view of the portion "12" encircled in FIG. 3; and,

FIG. 13 is an enlarged view of the portion "13" encircled in FIG. 6.

The broken lines are for environmental purpose only and form no part of the claimed design. The dot-dash broken lines encircling portion of the claimed design that are illustrated in enlargements form no part of the claimed design.

The shade lines in the figures show contour and not surface ornamentation. The diagonal lines in the FIGS. 1, 6, 8, 9, 10, and 13 represent a reflective surface.

**1 Claim, 11 Drawing Sheets**



(56)

**References Cited**

U.S. PATENT DOCUMENTS

D500,628 S \* 1/2005 Laundroche et al. .... D7/346  
D506,637 S \* 6/2005 Tanaka ..... D7/346  
D508,366 S \* 8/2005 Wilsdorf ..... D7/346  
D508,630 S \* 8/2005 Grutzke et al. .... D7/346  
D509,095 S \* 9/2005 Grutzke et al. .... D7/346  
D509,096 S \* 9/2005 Grutzke et al. .... D7/346

D509,097 S \* 9/2005 Grutzke et al. .... D7/346  
D509,988 S \* 9/2005 Grutzke et al. .... D7/346  
D511,641 S \* 11/2005 Kim ..... D7/346  
D511,927 S \* 11/2005 Grutzke et al. .... D7/346  
D513,922 S \* 1/2006 Grutzke et al. .... D7/346  
D560,956 S \* 2/2008 Shin et al. .... D7/346  
D568,673 S \* 5/2008 Tanaka ..... D7/346  
D568,674 S \* 5/2008 Tanaka ..... D7/346  
D609,960 S \* 2/2010 Cutino ..... D7/346

\* cited by examiner

FIG. 1

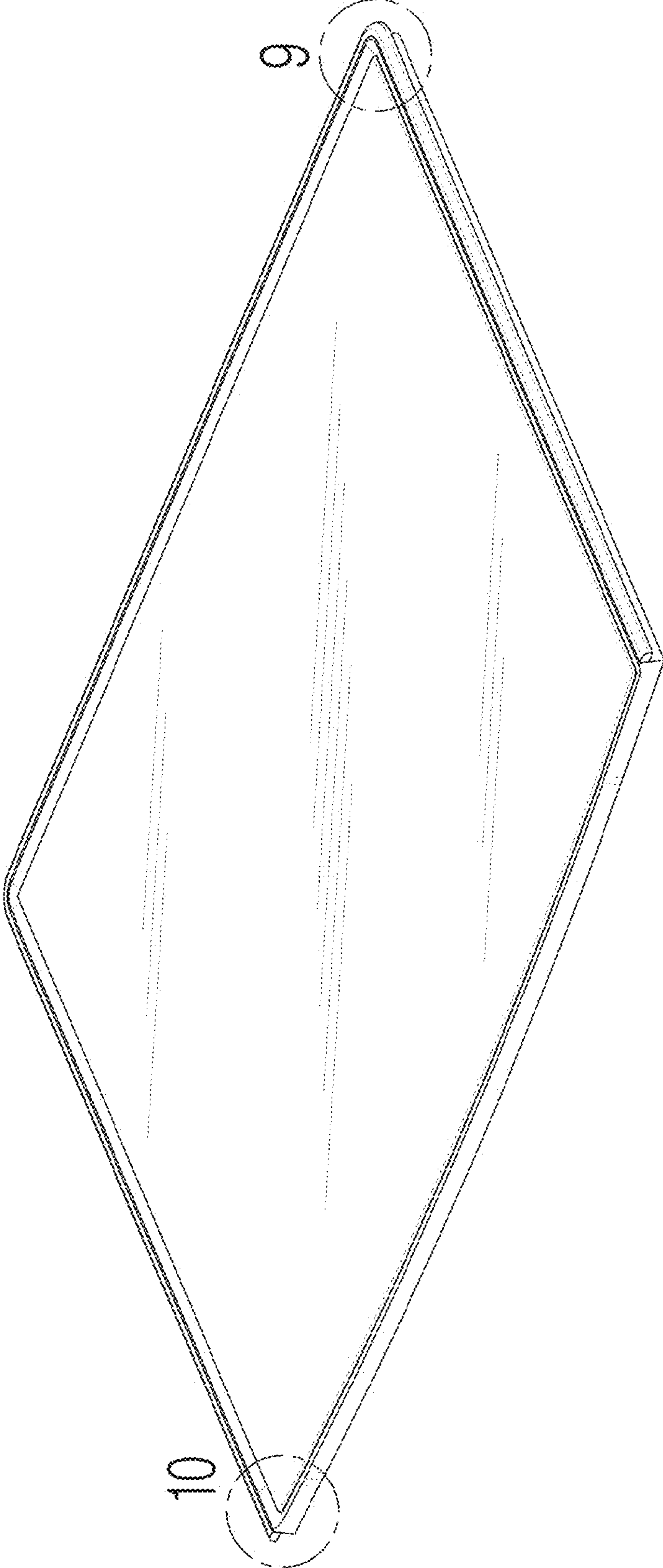


FIG. 2

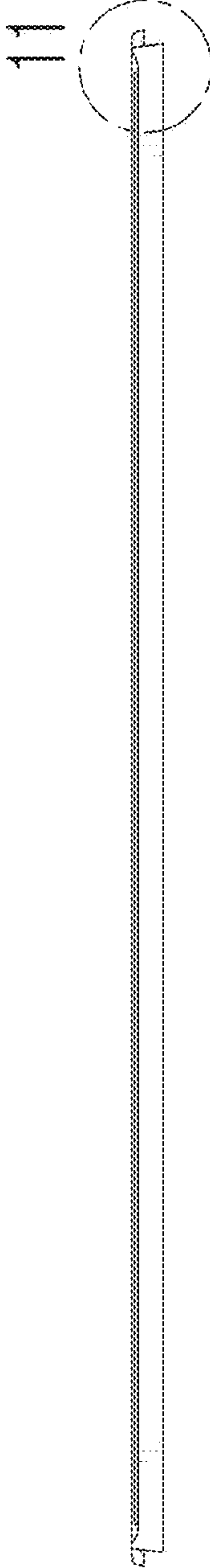


FIG. 3

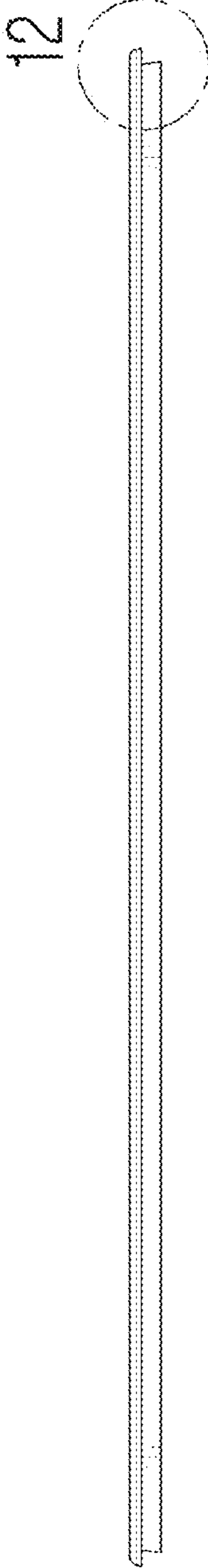


FIG. 4



FIG. 5

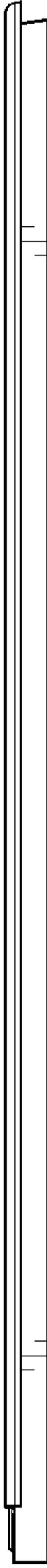


FIG. 6

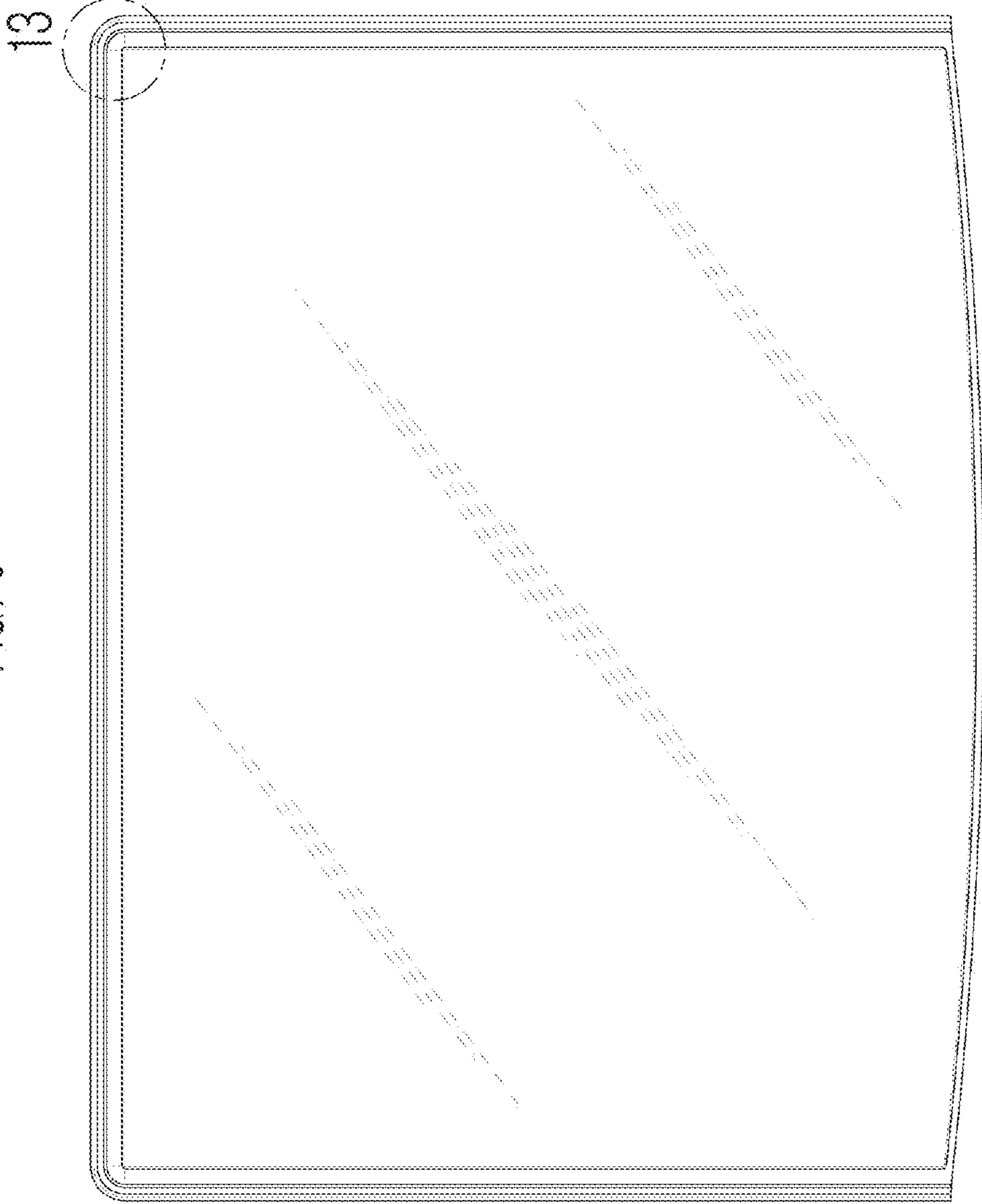


FIG. 7

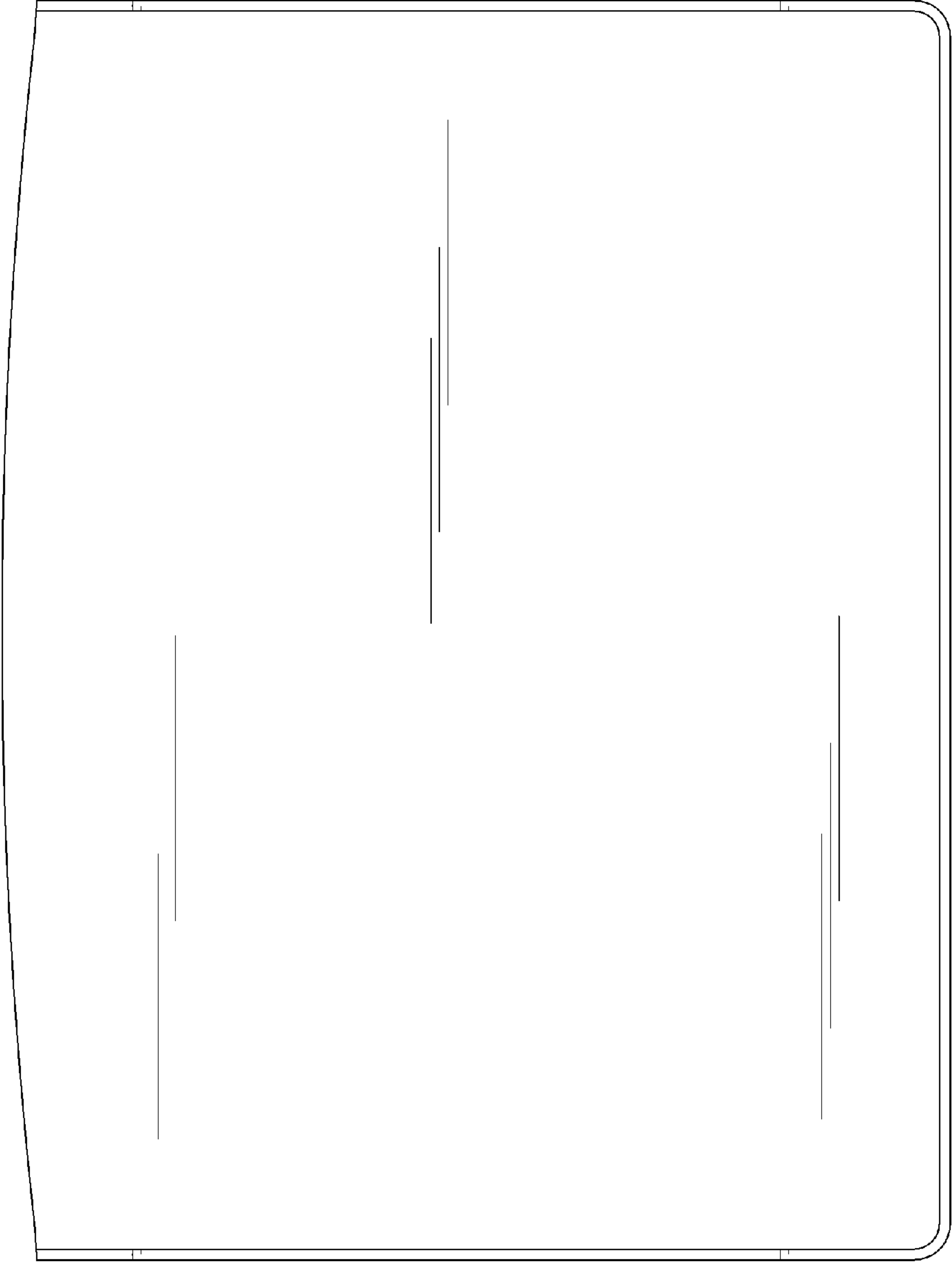




FIG. 8

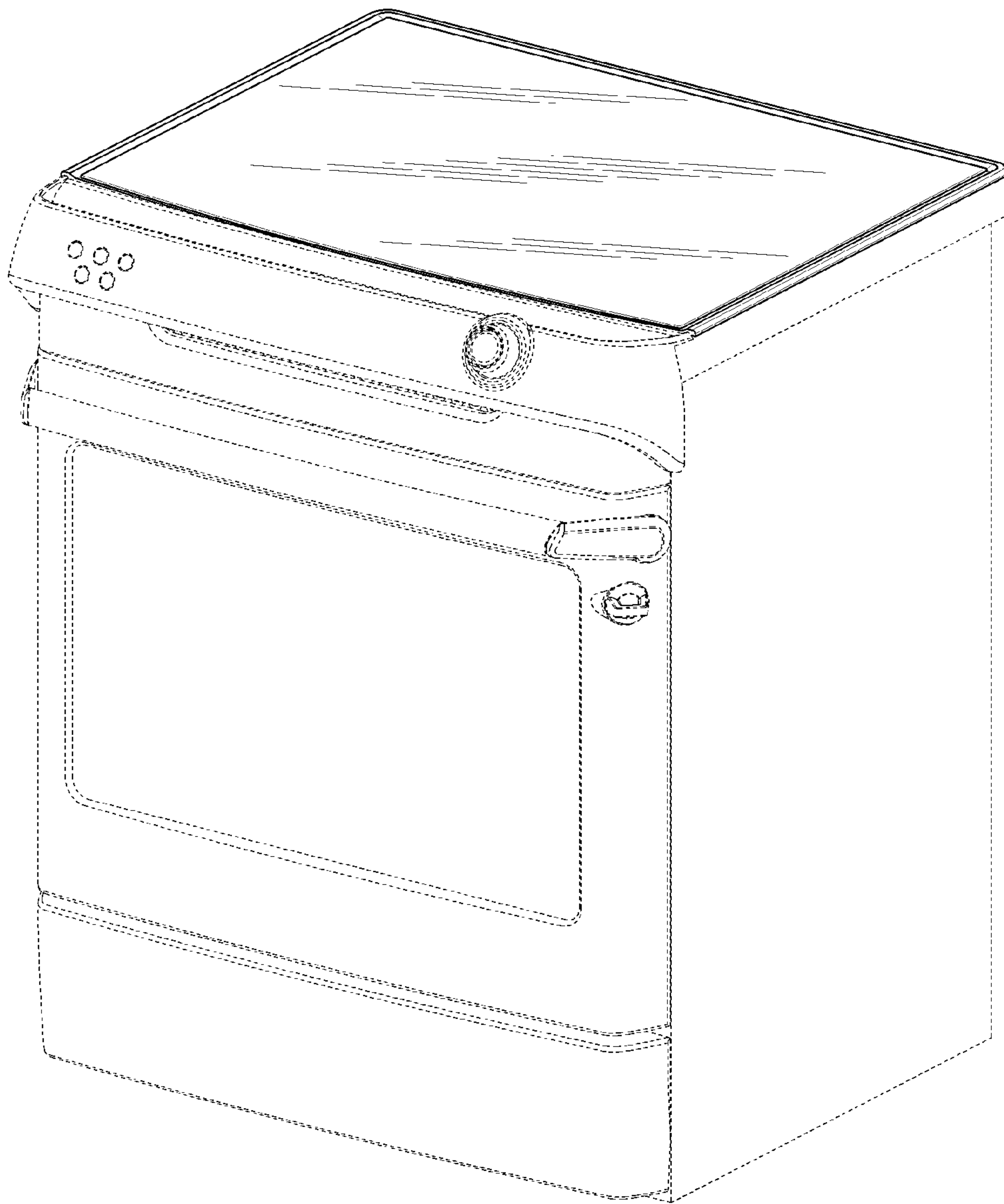




FIG. 9

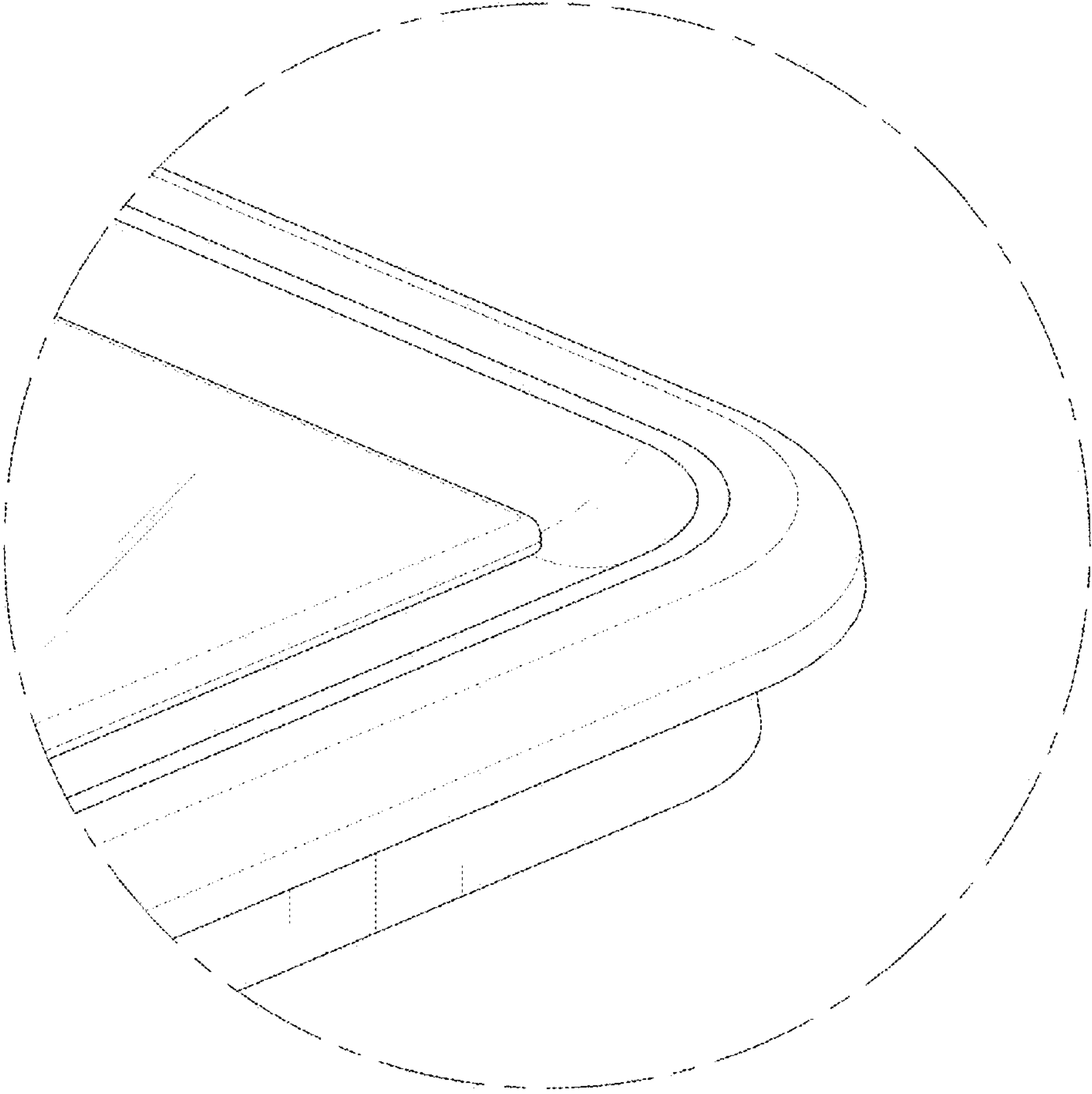


FIG. 10

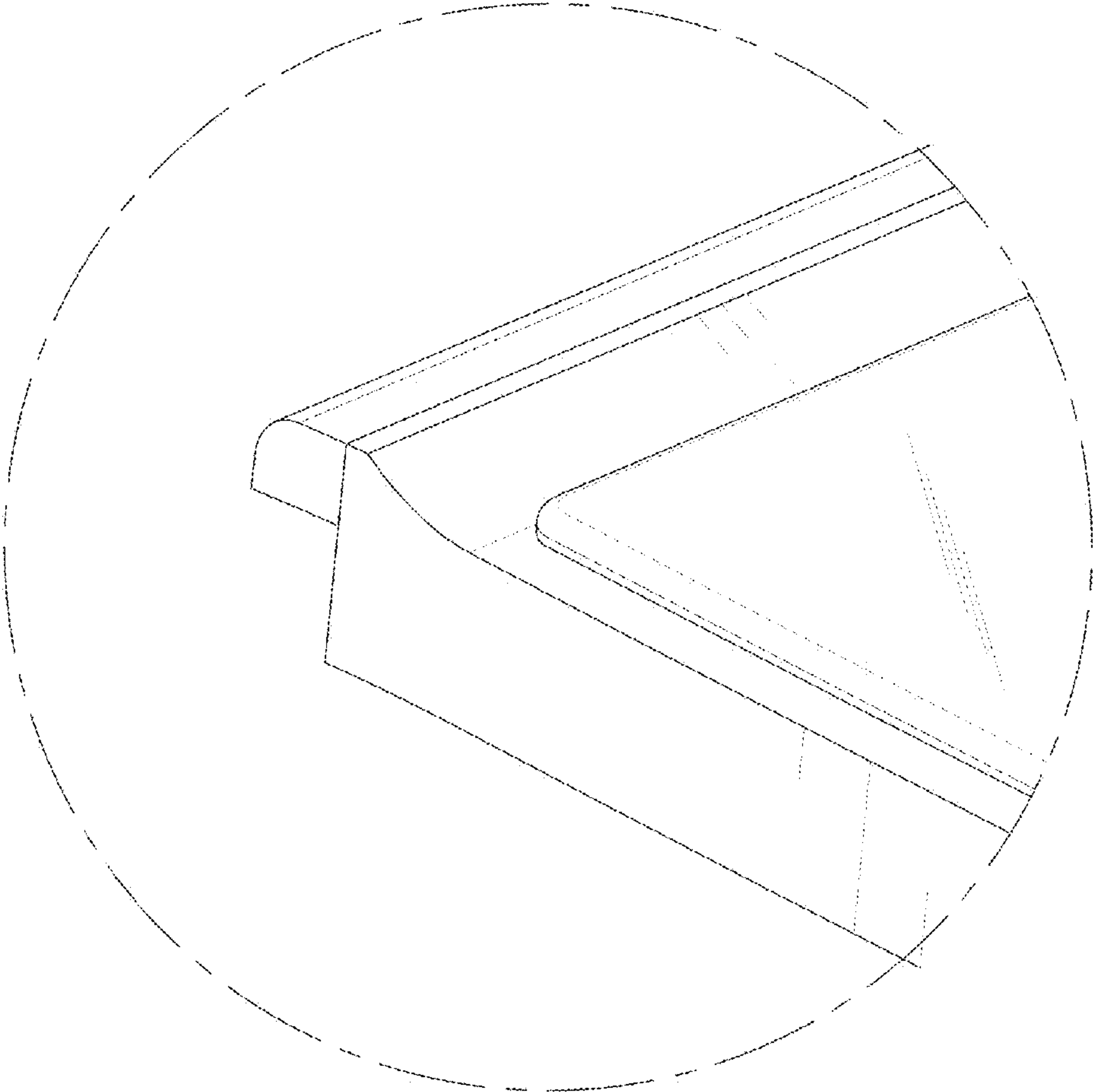


FIG. 11

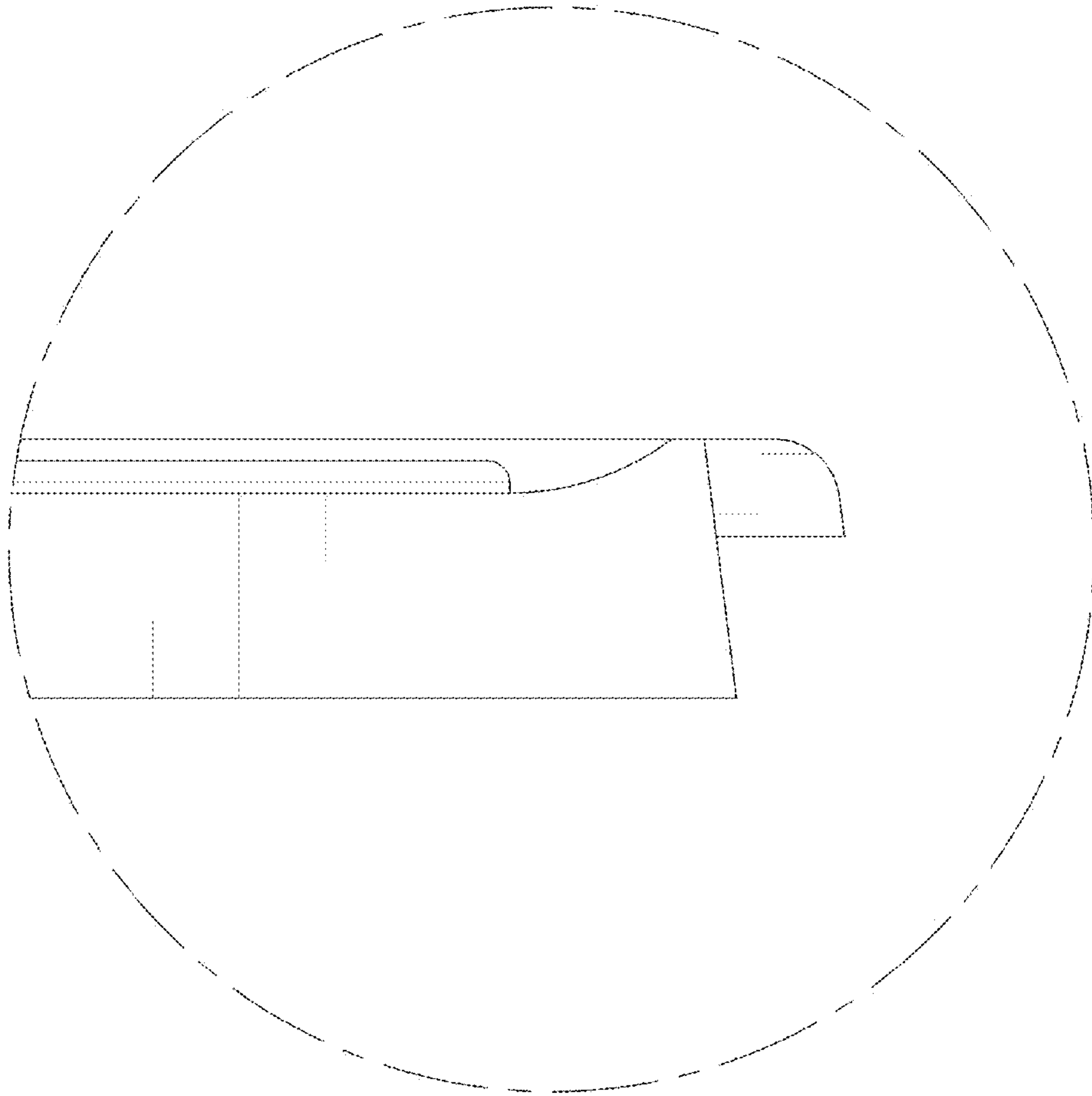


FIG. 12

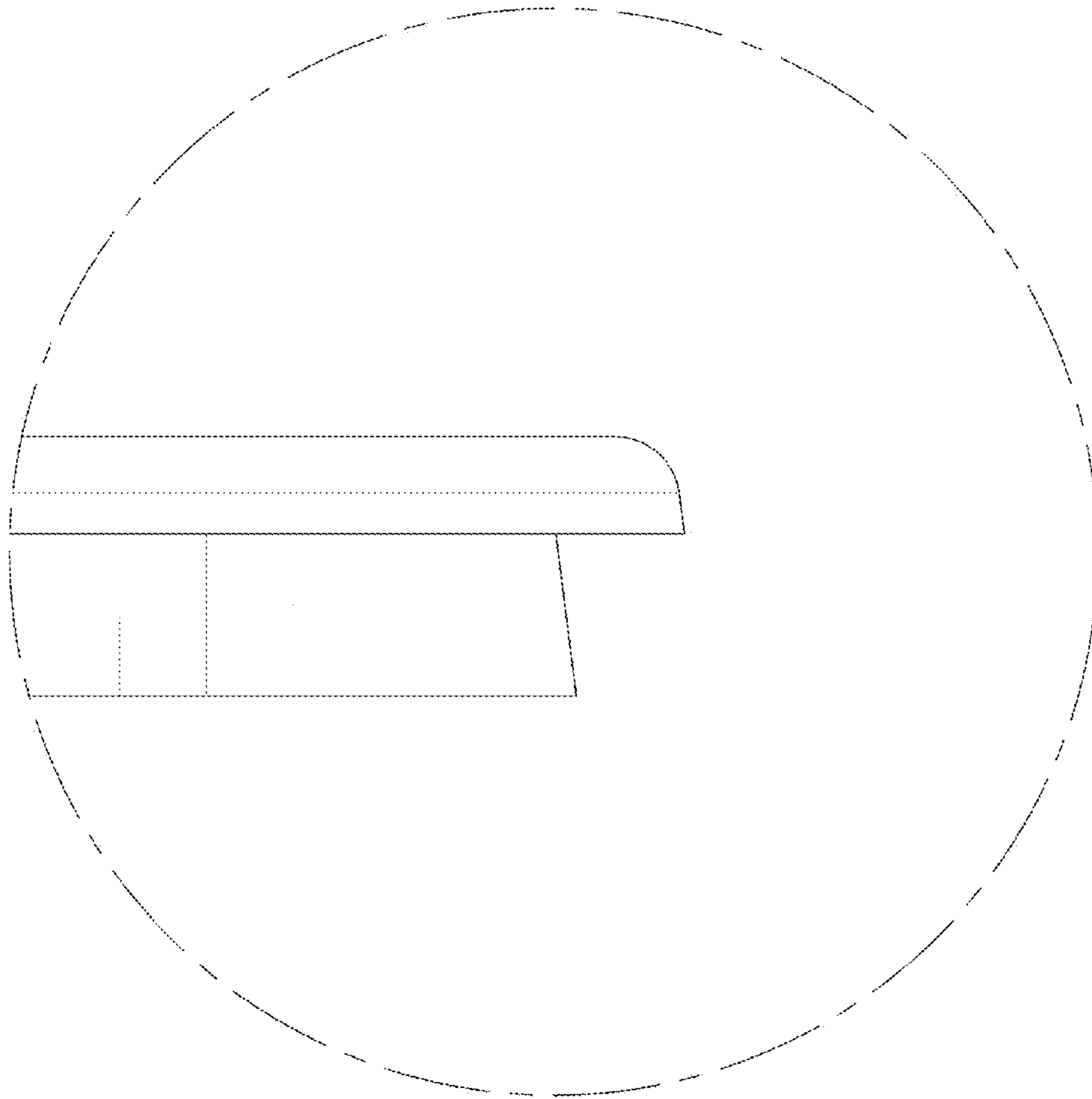


FIG. 13

