



US00D704505S

(12) **United States Design Patent**  
**Clabots**

(10) **Patent No.:** **US D704,505 S**

(45) **Date of Patent:** **\*\* May 13, 2014**

(54) **HANDLE**

(71) Applicant: **TEFAL**, Rumilly (FR)

(72) Inventor: **Evan Clabots**, Brooklyn, NY (US)

(73) Assignee: **Tefal** (FR)

(\*\*) Term: **14 Years**

(21) Appl. No.: **29/460,614**

(22) Filed: **Jul. 12, 2013**

(30) **Foreign Application Priority Data**

Jan. 14, 2013 (EM) ..... 002166033-0001

(51) **LOC (10) Cl.** ..... **07-02**

(52) **U.S. Cl.**  
USPC ..... **D7/395**

(58) **Field of Classification Search**  
USPC ..... D7/354-361, 393-395, 401.2, 664;  
D8/107, 300, 303, 307, 321; D4/138,  
D4/129; 16/421, 430, 431, 110.1, 407;  
220/573.1-573.5, 752, 753, 755, 756,  
220/759, 767, 771, 912

See application file for complete search history.

(56) **References Cited**

U.S. PATENT DOCUMENTS

|          |   |   |         |                  |       |        |
|----------|---|---|---------|------------------|-------|--------|
| D440,463 | S | * | 4/2001  | Groll            | ..... | D7/395 |
| D482,567 | S | * | 11/2003 | Demers           | ..... | D7/395 |
| D503,585 | S | * | 4/2005  | Tetreault et al. | ..... | D7/395 |
| D580,703 | S | * | 11/2008 | Devries          | ..... | D7/393 |
| D644,486 | S | * | 9/2011  | Groll            | ..... | D7/395 |
| D682,022 | S | * | 5/2013  | Rae              | ..... | D7/395 |

\* cited by examiner

*Primary Examiner* — Cynthia M Chin

(74) *Attorney, Agent, or Firm* — The Webb Law Firm

(57) **CLAIM**

The ornamental design for a handle, as shown and described.

**DESCRIPTION**

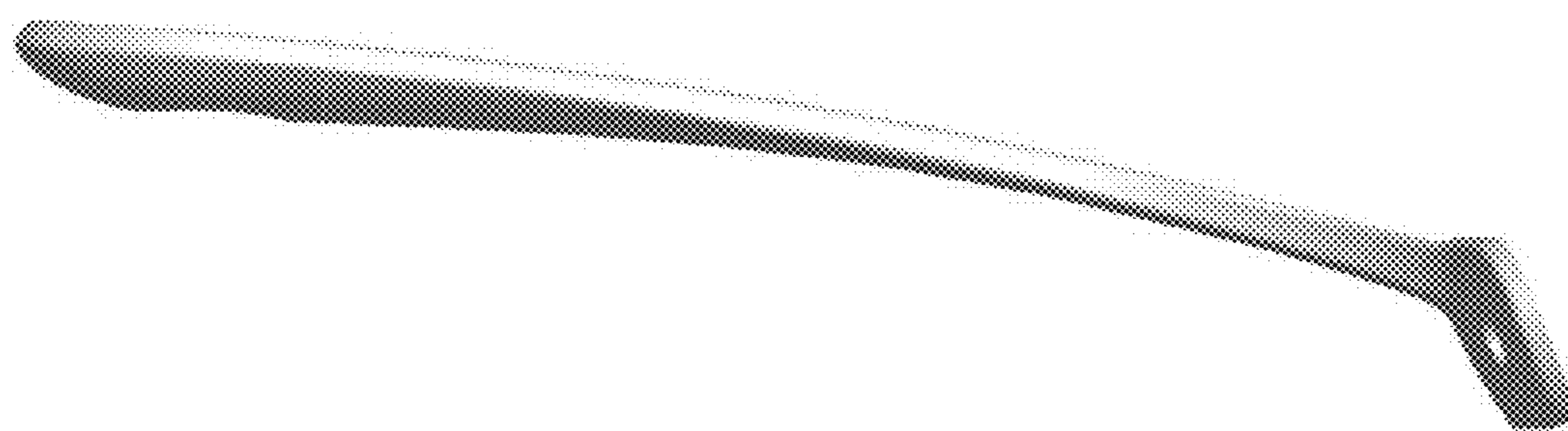
FIG. 1 is an upper right front perspective view of a handle, showing my new design;  
FIG. 2 is a left side view thereof;  
FIG. 3 is a right side view thereof;  
FIG. 4 is a bottom view thereof;  
FIG. 5 is a top view thereof;  
FIG. 6 is a rear view thereof; and,  
FIG. 7 is a front view thereof.

**1 Claim, 3 Drawing Sheets**

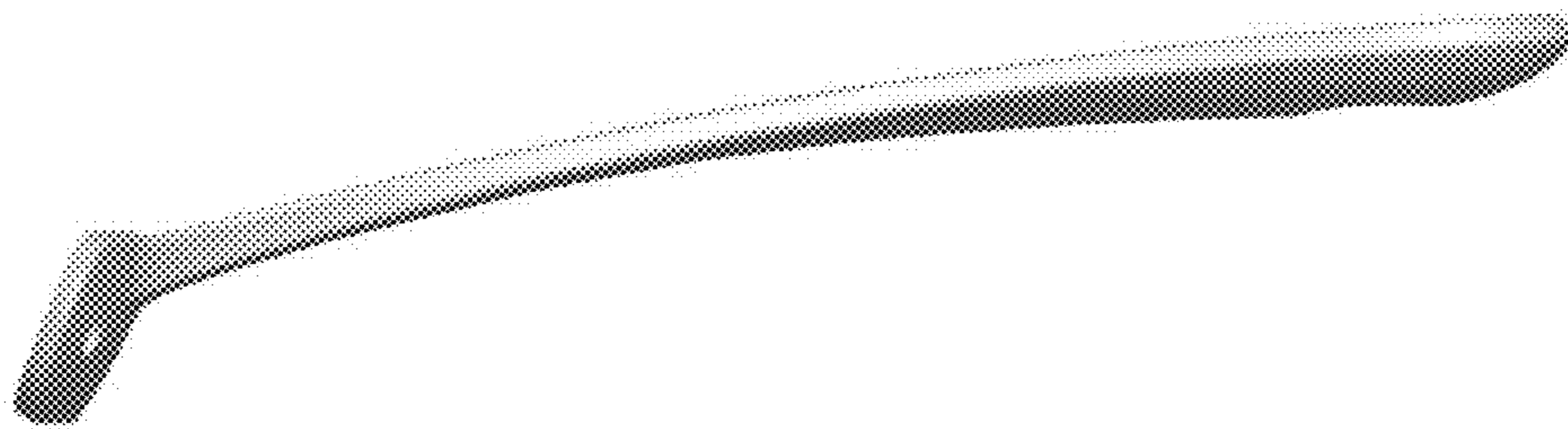




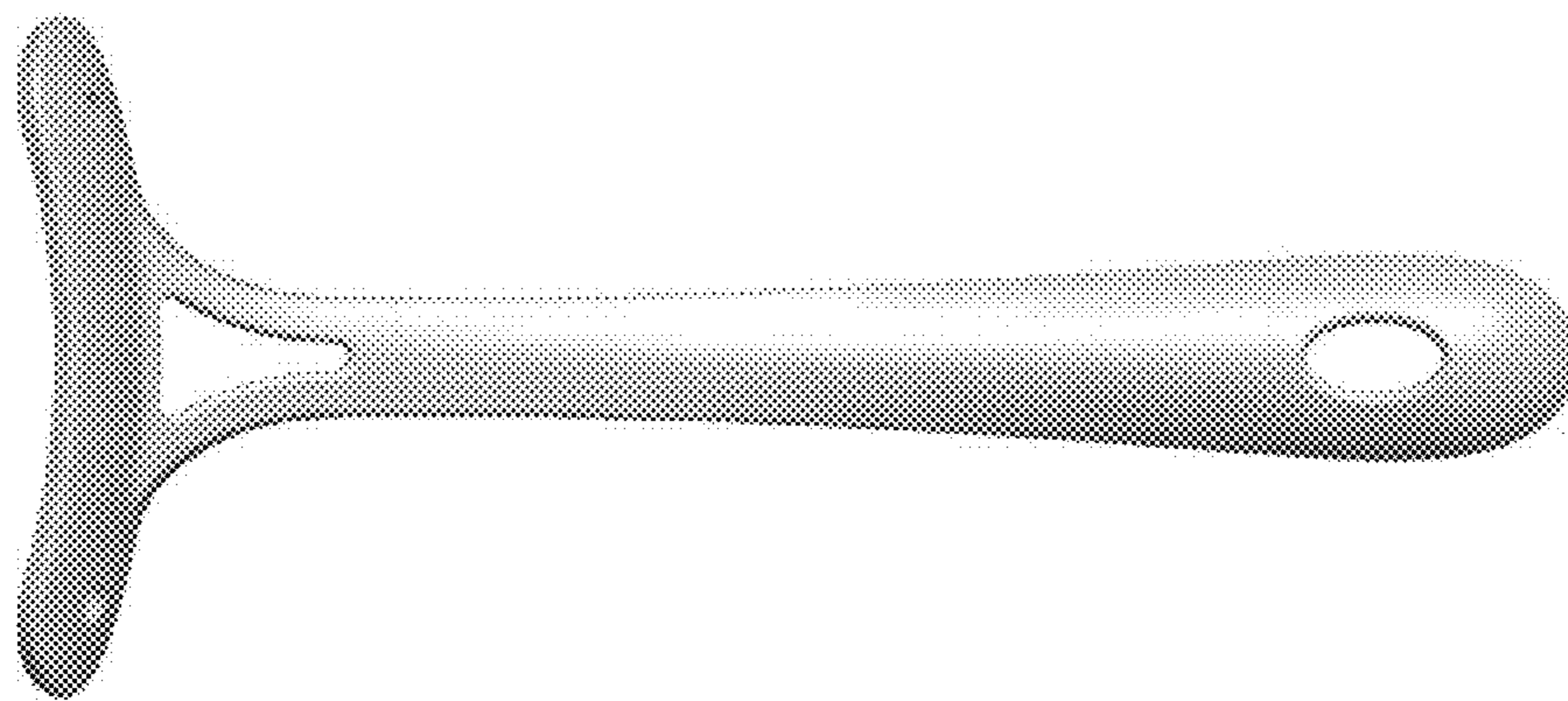
**FIG. 1**



**FIG. 2**

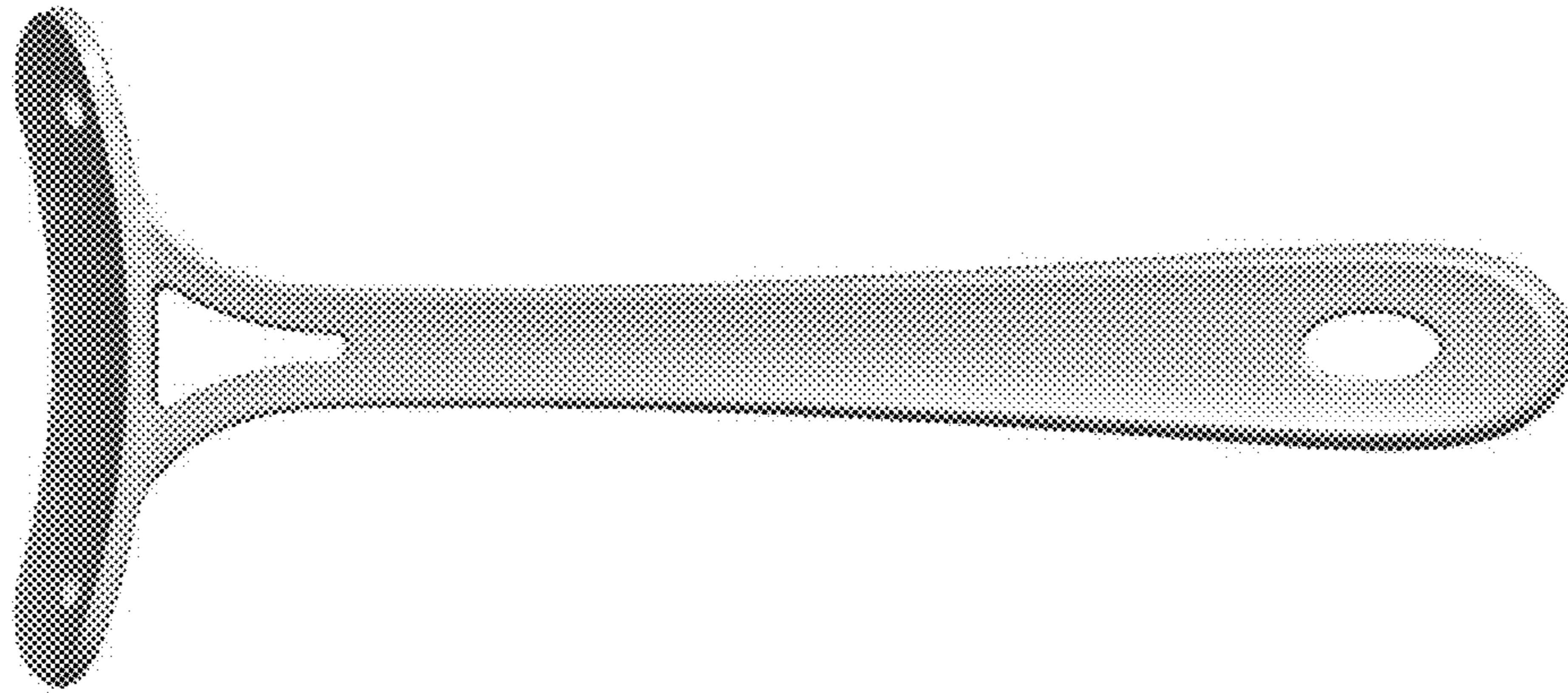


**FIG. 3**

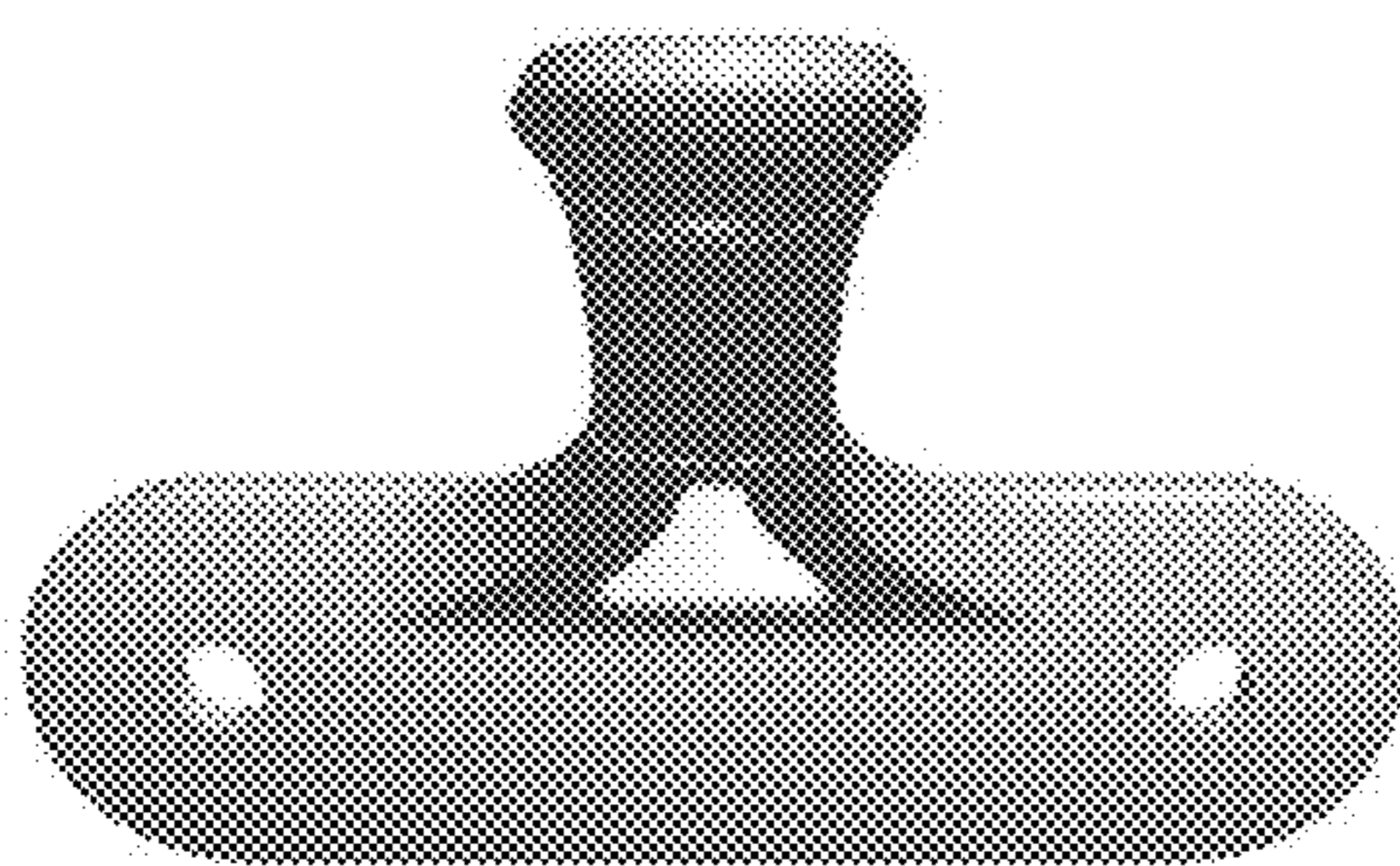


**FIG. 4**

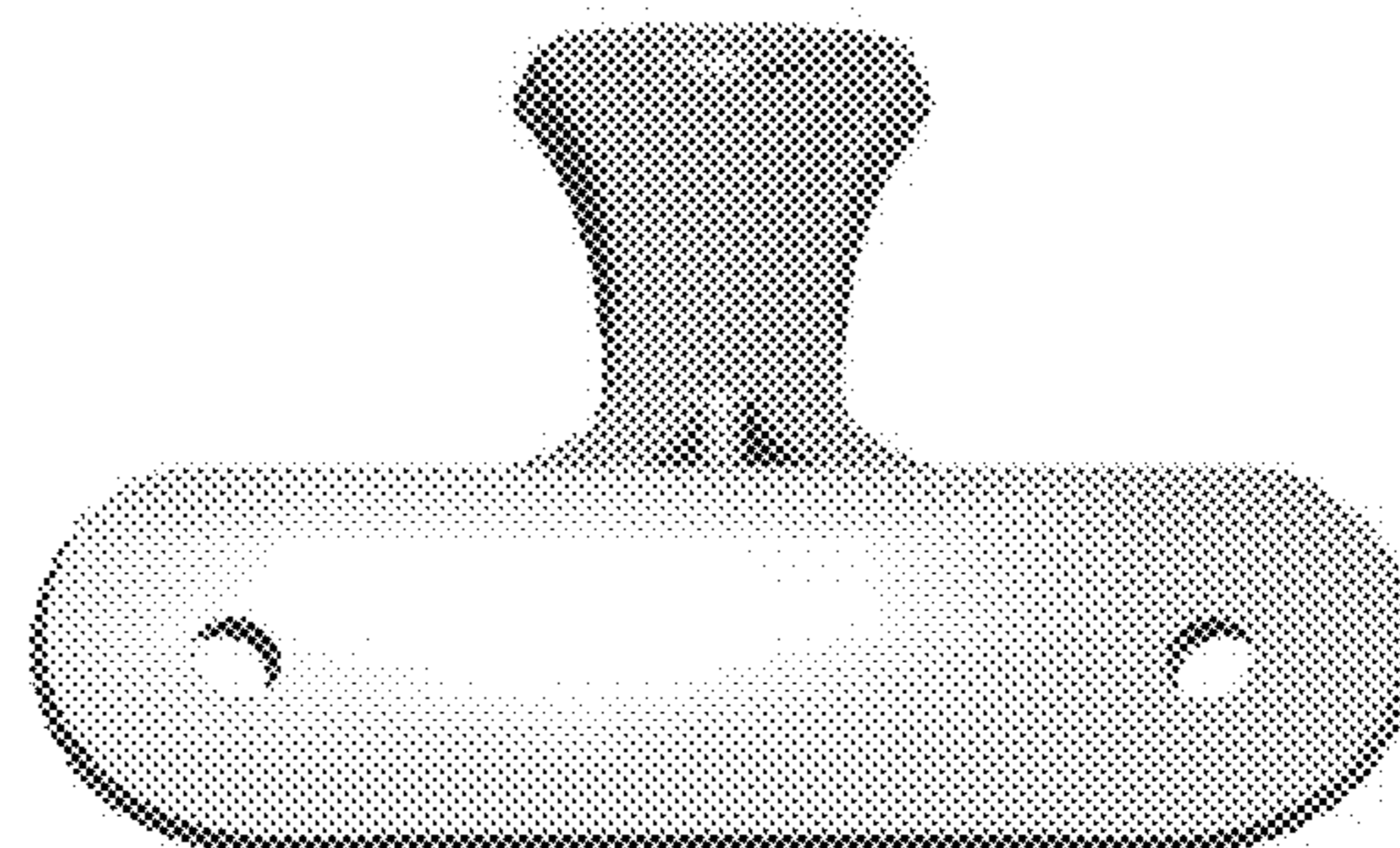




**FIG. 5**



**FIG. 6**



**FIG. 7**