



US00D704502S

(12) **United States Design Patent**
Coakley et al.

(10) **Patent No.:** **US D704,502 S**

(45) **Date of Patent:** **** May 13, 2014**

(54) **BLENDER BASE**

(71) Applicant: **Euro-Pro Operating LLC**, Newton, MA (US)

(72) Inventors: **Devin Joseph Coakley**, Bellingham, MA (US); **Laura Kay Raffi**, Wayland, MA (US)

(73) Assignee: **Euro-Pro Operating LLC**, Newton, MA (US)

(**) Term: **14 Years**

(21) Appl. No.: **29/447,108**

(22) Filed: **Feb. 28, 2013**

(51) **LOC (10) Cl.** **31-00**

(52) **U.S. Cl.**
USPC **D7/386**; D7/376; D7/378; D7/412

(58) **Field of Classification Search**
USPC D7/301–313, 316–326, 356–357, 368, D7/372–386, 391–398, 412–415, 503, 515, D7/665–666, 679, 691–693; 99/280, 326, 99/348, 489–492, 508–512; 241/30–37.5, 241/98, 101.01–101.2, 166–169.1, 172, 241/272, 285.1–285.3, 291, 292.1; 366/64–67, 98, 129, 142–144, 366/192–211, 241–254, 262, 279–292, 366/325.8, 325.92, 341–347; 416/75–77, 416/70 R, 163

See application file for complete search history.

(56) **References Cited**

U.S. PATENT DOCUMENTS

D251,231 S * 3/1979 Hashimoto D7/384
D256,087 S * 7/1980 Minami D7/384
D339,715 S * 9/1993 Barrault D7/378

D343,547 S * 1/1994 Levin D7/386
D552,419 S * 10/2007 Picozza et al. D7/412
D611,760 S * 3/2010 Ball D7/378
D625,141 S * 10/2010 Moore D7/378
D625,142 S * 10/2010 Moore D7/384
D625,143 S * 10/2010 Moore et al. D7/384
D647,357 S * 10/2011 Audette et al. D7/386
D668,100 S * 10/2012 Palermo et al. D7/386
D668,501 S * 10/2012 Hensel et al. D7/386
D677,976 S * 3/2013 Palermo et al. D7/386

OTHER PUBLICATIONS

[No Author Listed] Ninja™ . Professional Blender. NJ600 30. Owner's Guide. 2010. 11 pages.

[No Author Listed] Ninja® . Kitchen System 1200™ . BL700 series. Owner's Guide. 2011. 12 pages.

* cited by examiner

Primary Examiner — Ricky Pham

(74) *Attorney, Agent, or Firm* — Wolf, Greenfield & Sacks, P.C.

(57) **CLAIM**

The ornamental design for a blender base, as shown and described.

DESCRIPTION

FIG. 1 is a top, front, right side perspective view of a blender base showing our new design;

FIG. 2 is a front elevational view thereof;

FIG. 3 is a rear elevational view thereof;

FIG. 4 is a left side elevational view thereof;

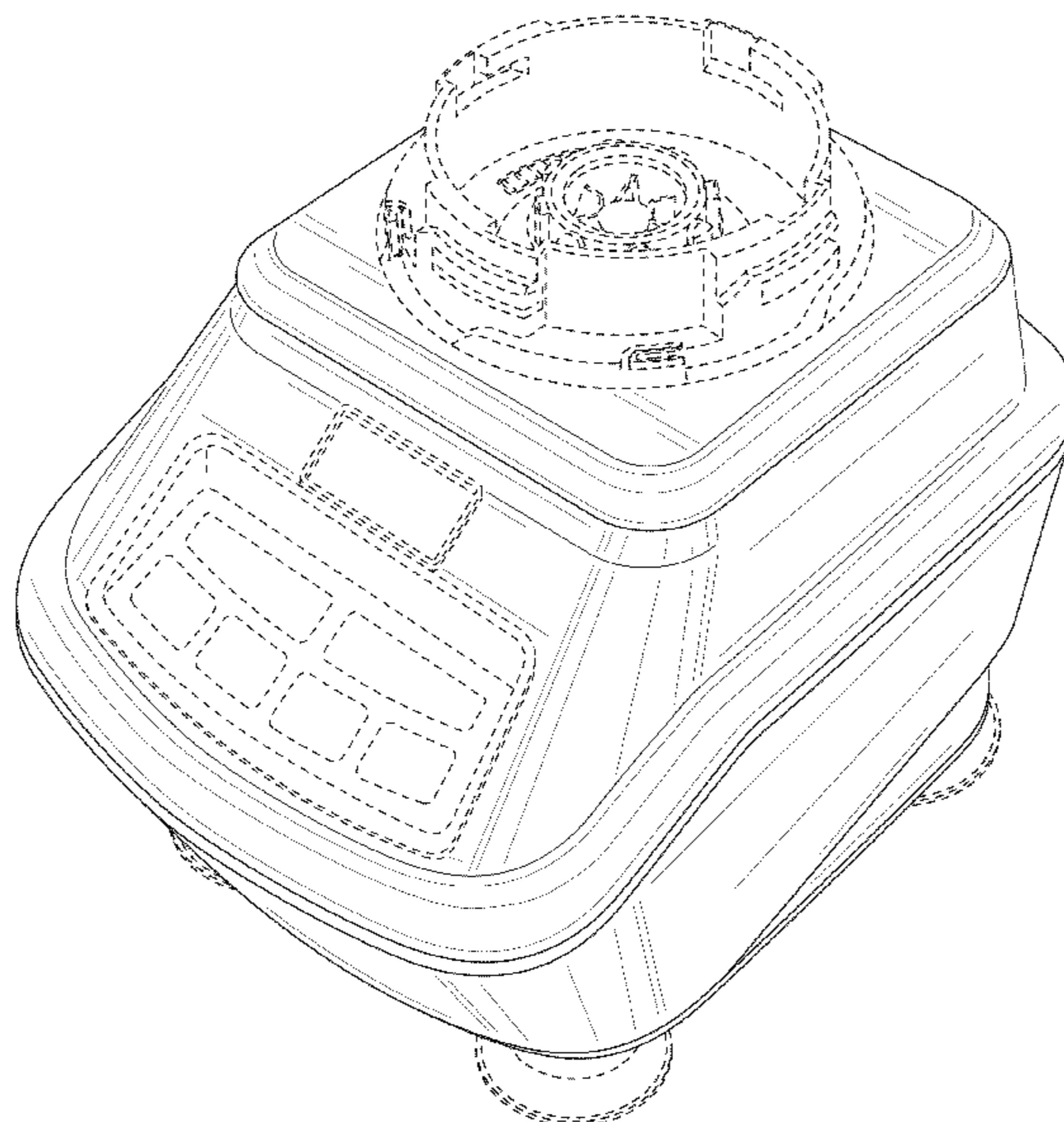
FIG. 5 is a right side elevational view thereof;

FIG. 6 is a top plan view thereof; and,

FIG. 7 is a bottom plan view thereof.

The broken lines of FIGS. 1-7 illustrate portions of the blender base that form no part of the claimed design.

1 Claim, 7 Drawing Sheets



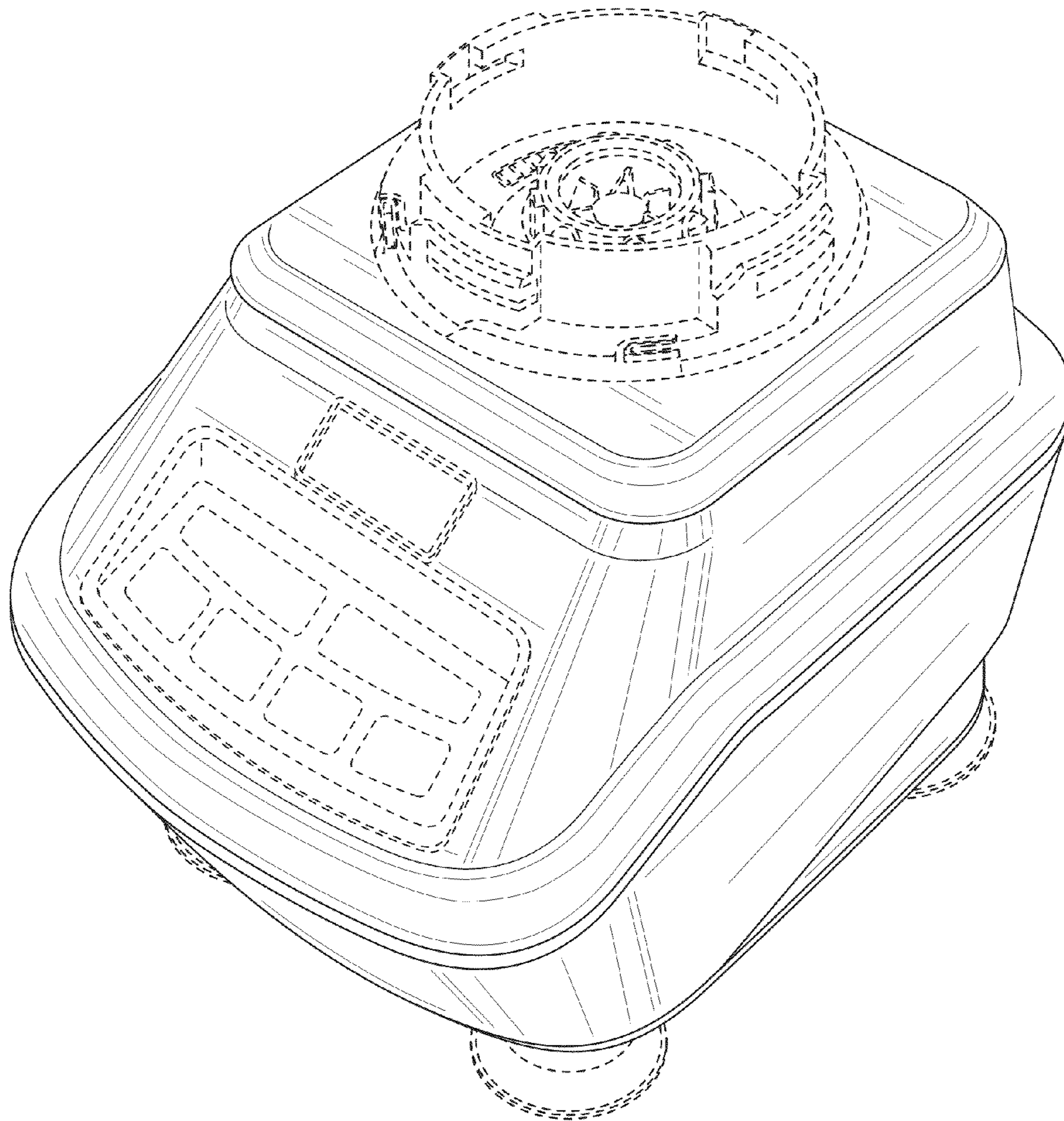


FIG. 1

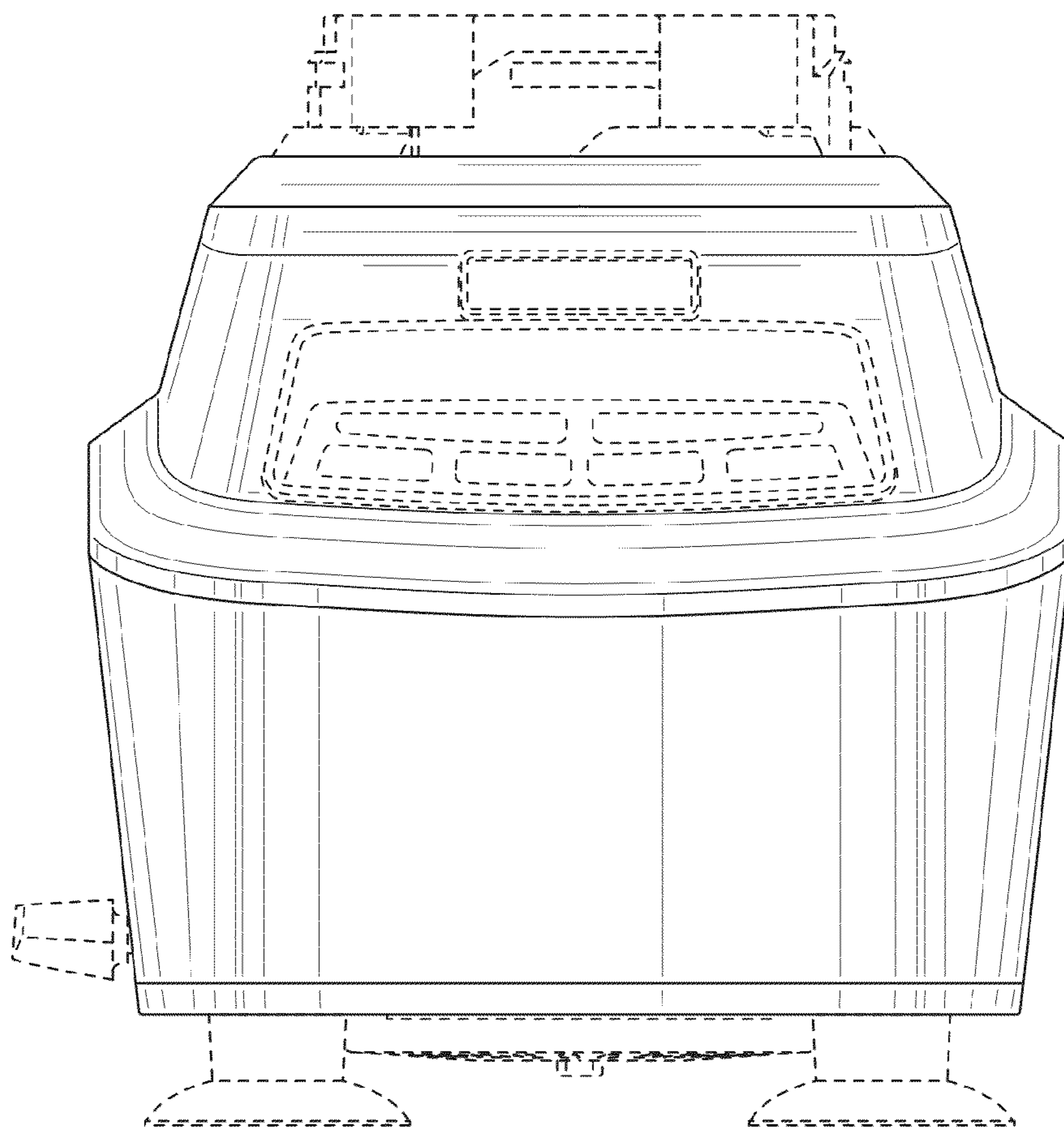


FIG. 2

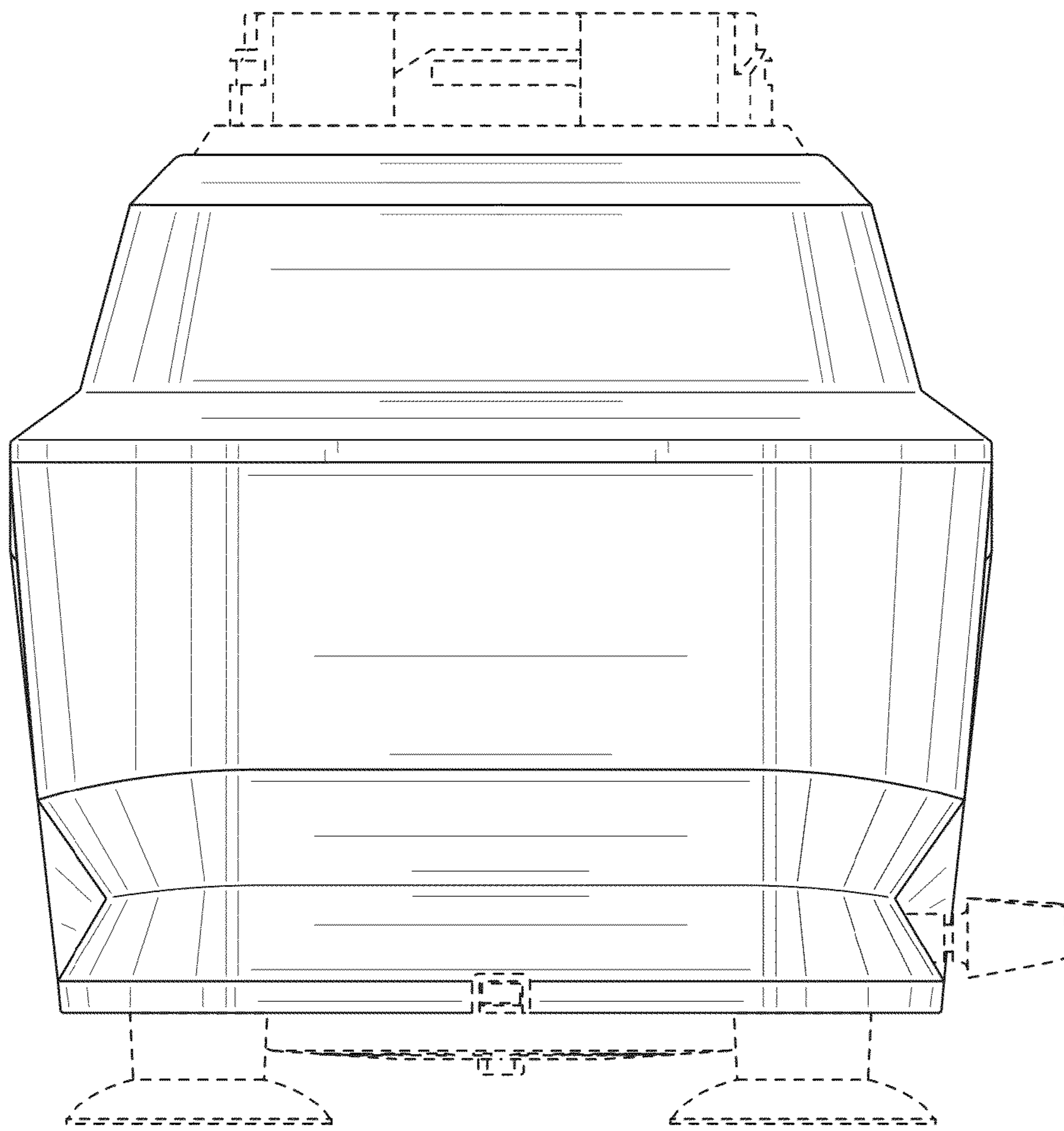


FIG. 3

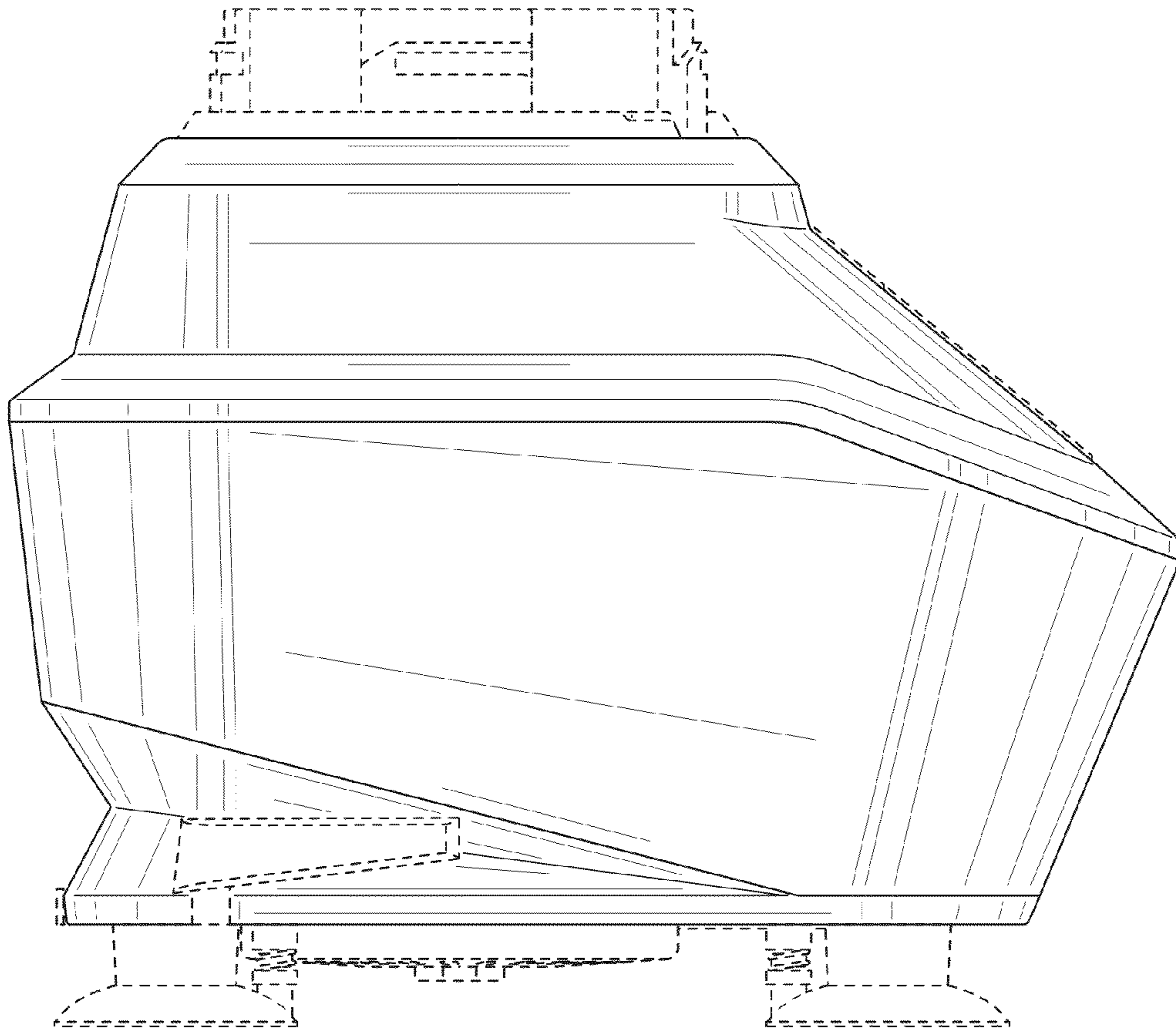


FIG. 4

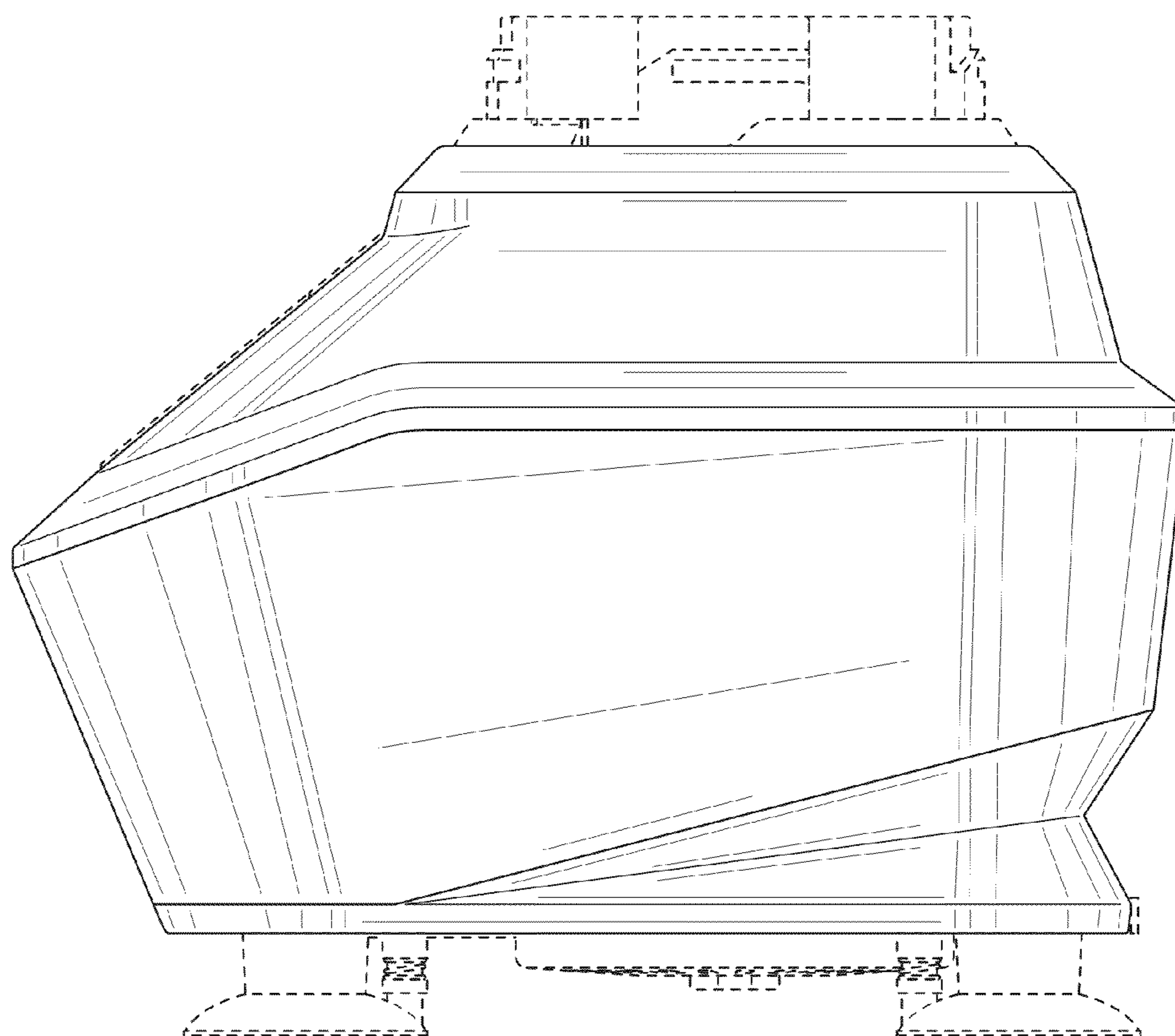


FIG. 5

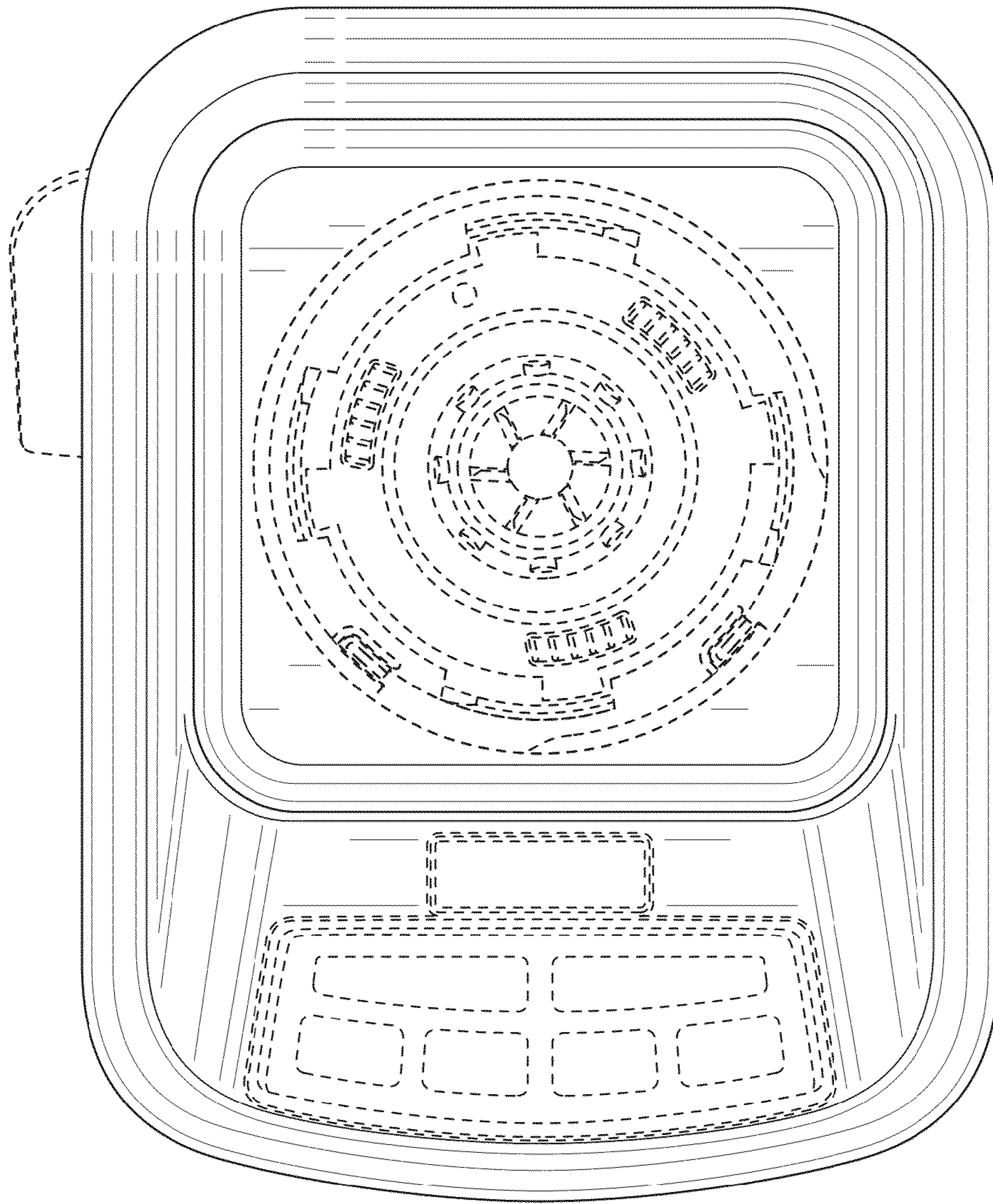


FIG. 6

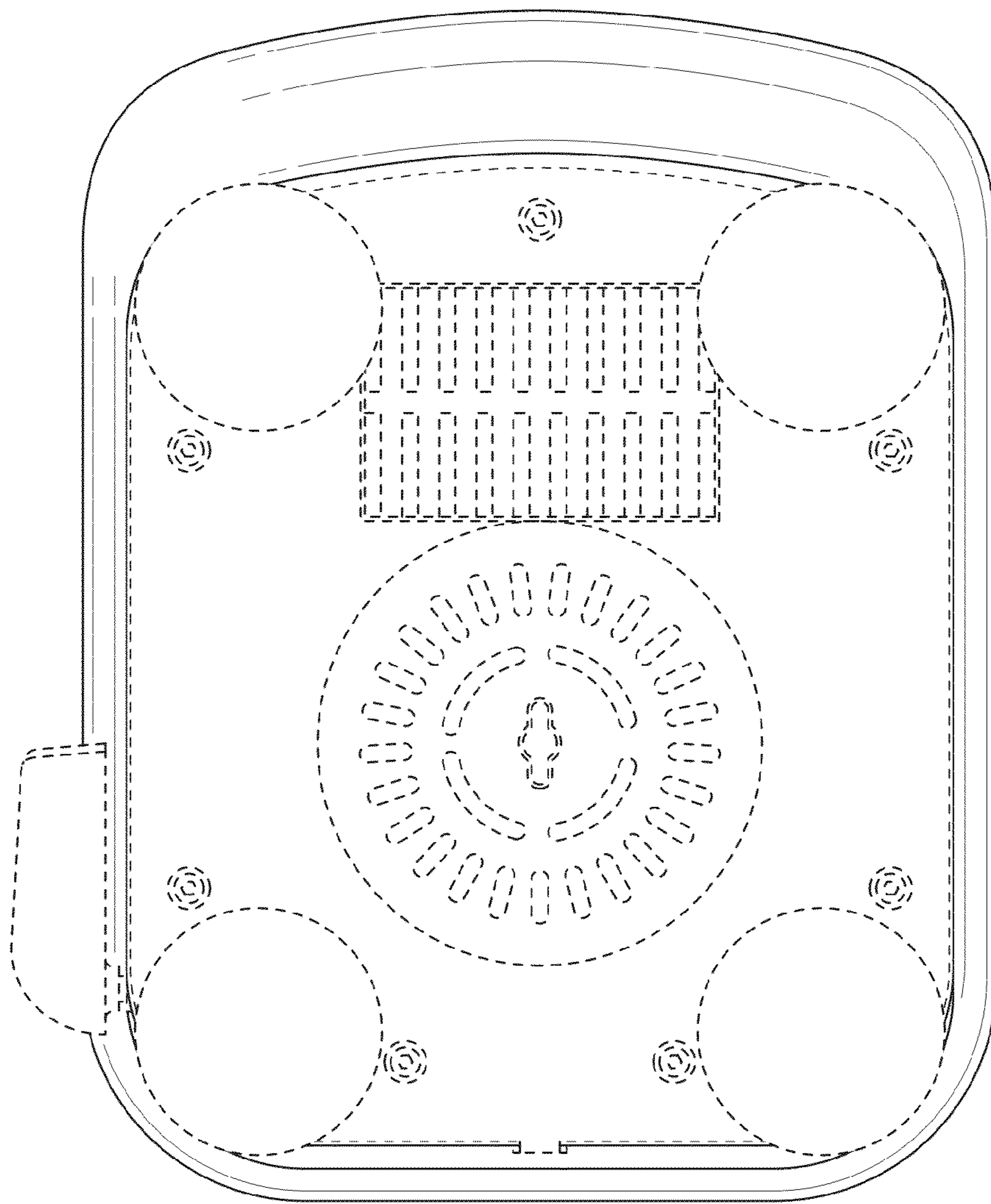


FIG. 7