



US00D704501S

(12) **United States Design Patent**
Stubbe

(10) **Patent No.:** **US D704,501 S**

(45) **Date of Patent:** **** May 13, 2014**

(54) **COOKING ASSEMBLY**

(56) **References Cited**

(71) Applicant: **Allinox, N.V.**, Oostrozebeke (BE)

U.S. PATENT DOCUMENTS

(72) Inventor: **Jeff Stubbe**, Oostrozebeke (BE)

D248,076	S	*	6/1978	Christian	D7/545
D268,557	S	*	4/1983	Jensen et al.	D7/545
D281,480	S	*	11/1985	McClelland	D7/356
D298,199	S	*	10/1988	Finsilver et al.	D7/538
5,065,889	A	*	11/1991	Conti	220/360
D325,684	S	*	4/1992	Deare	D7/360
D423,733	S	*	4/2000	Choi et al.	D30/129
D459,635	S	*	7/2002	Henry	D7/545
D557,972	S	*	12/2007	Ablo	D7/354
D587,521	S	*	3/2009	Thurlow et al.	D7/391
D625,149	S	*	10/2010	Stamper	D7/538
D641,200	S	*	7/2011	Lion et al.	D7/356
D657,617	S	*	4/2012	Sarnoff et al.	D7/360

(73) Assignee: **Allinox, N.V.**, Oostrozebeke (BE)

(**) Term: **14 Years**

(21) Appl. No.: **29/465,882**

(22) Filed: **Sep. 3, 2013**

(30) **Foreign Application Priority Data**

Apr. 27, 2013 (EM) 002228528-0001
 Apr. 27, 2013 (EM) 002228528-0002
 Apr. 27, 2013 (EM) 002228528-0003

* cited by examiner

Primary Examiner — Ricky Pham

(74) *Attorney, Agent, or Firm* — Kirschstein, et al.

(51) **LOC (10) CL.** **07-02**

(52) **U.S. CL.**
USPC **D7/360; D7/354**

(57) **CLAIM**

The ornamental design for a cooking assembly, as shown and described.

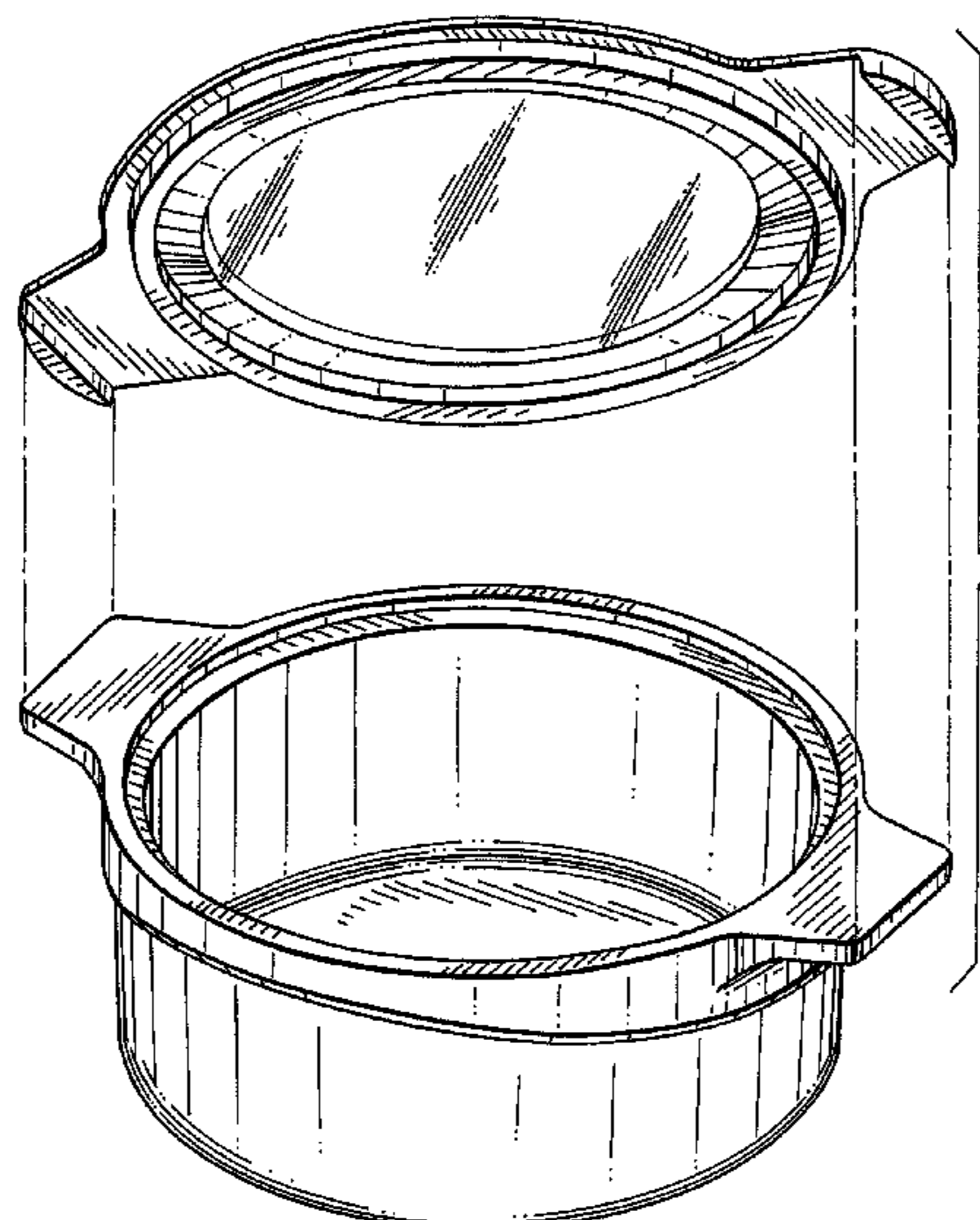
(58) **Field of Classification Search**
 USPC D7/323, 329–332, 337–339, 346–347,
 D7/350.1–350.4, 353–367, 388–395,
 D7/402–409, 538, 542–545, 552.1–552.2,
 D7/554.3, 586, 602, 629, 665, 698, 701;
 D30/129, 161; 99/324–325, 330–332,
 99/337–343, 366–369, 393, 400–418, 422,
 99/425, 444–450, 476; 126/9 B, 25 AA,
 126/25 R, 30, 37 R, 41 R, 168, 261, 337 R,
 126/378.1, 390.1; 206/335, 470, 508;
 219/368–387, 392, 400, 405, 429–442,
 219/452.11, 620–624, 725, 730–735;
 220/314–315, 360, 486, 573.1–573.5,
 220/592.16, 657, 792, 912; 249/121–126

DESCRIPTION

FIG. 1 is a perspective view of a cooking assembly according to my new design;
 FIG. 2 is a top plan view thereof;
 FIG. 3 is a front elevational view thereof, the rear elevational view being a mirror image;
 FIG. 4 is a right side elevational view thereof, the left side elevational view being a mirror image;
 FIG. 5 is a bottom plan view thereof; and,
 FIG. 6 is an exploded view depicting the interior of the pot and the underside of the lid of the cooking assembly.

See application file for complete search history.

1 Claim, 4 Drawing Sheets



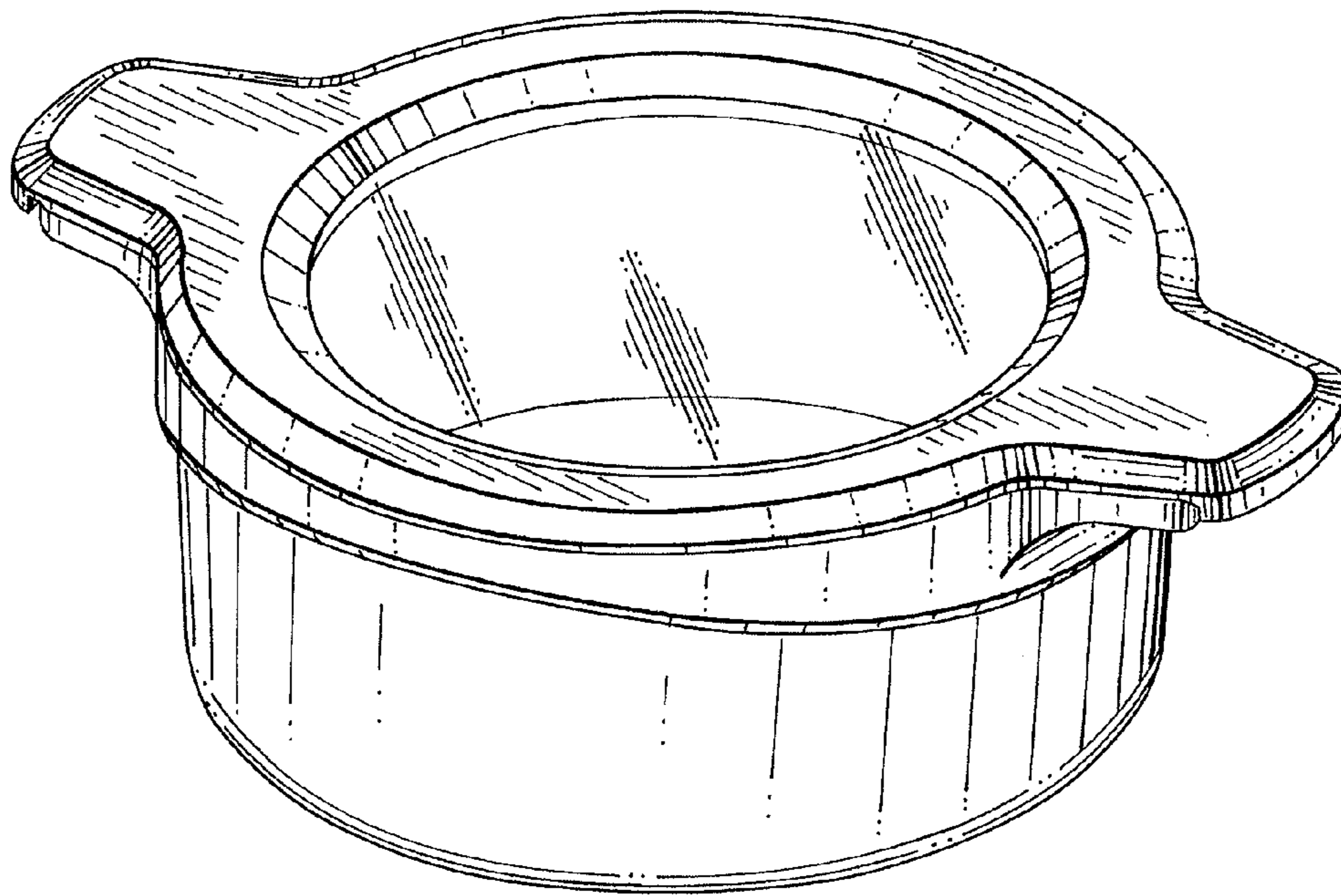


FIG. 1

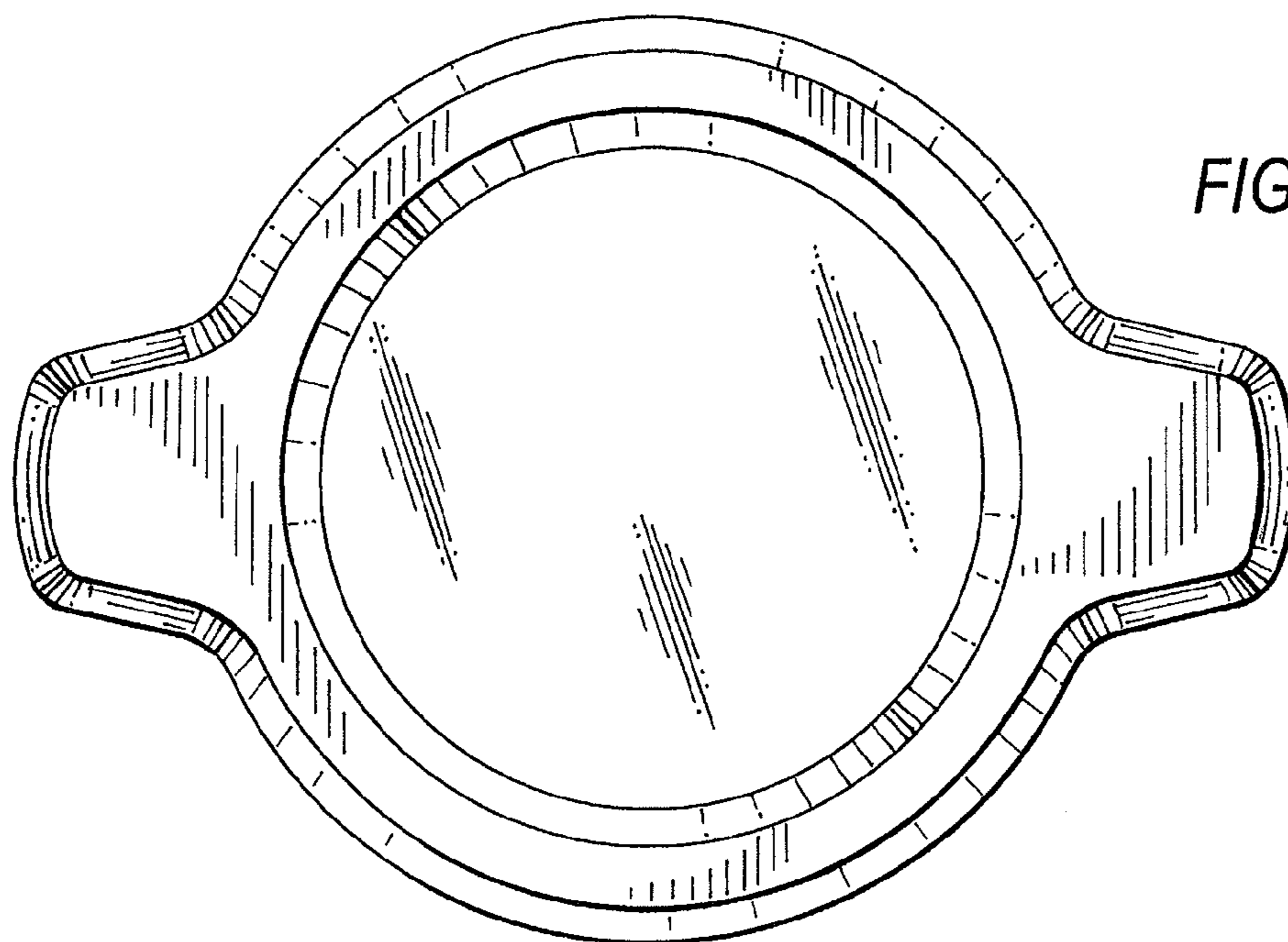


FIG. 2

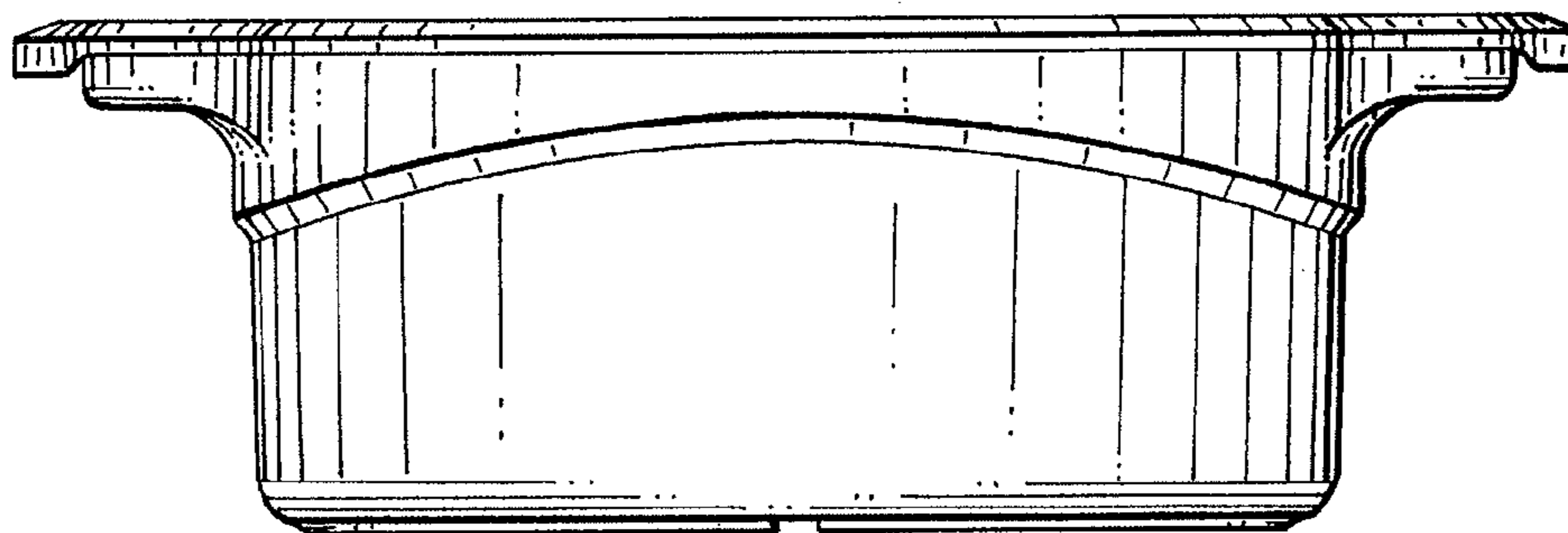


FIG. 3

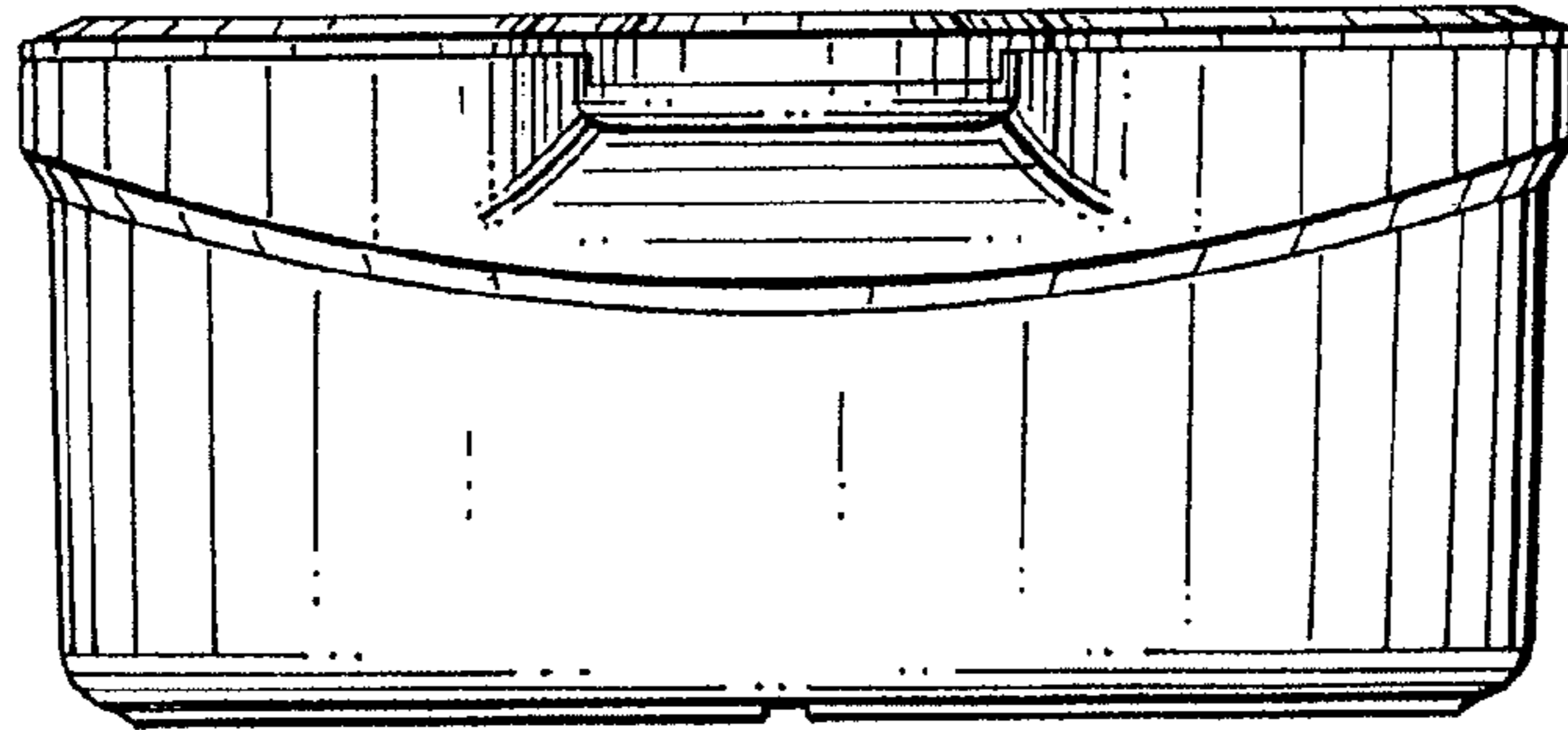


FIG. 4

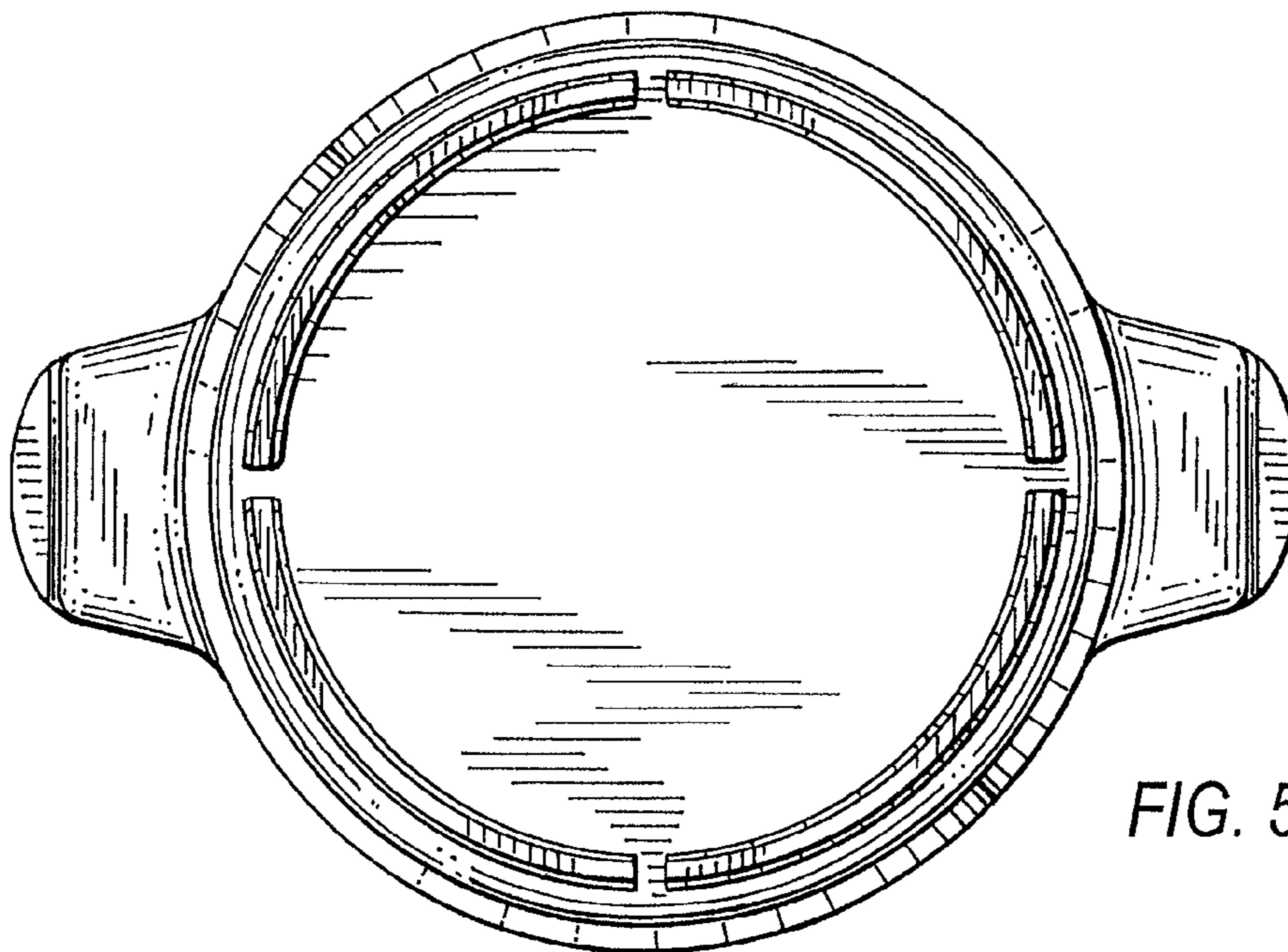


FIG. 5

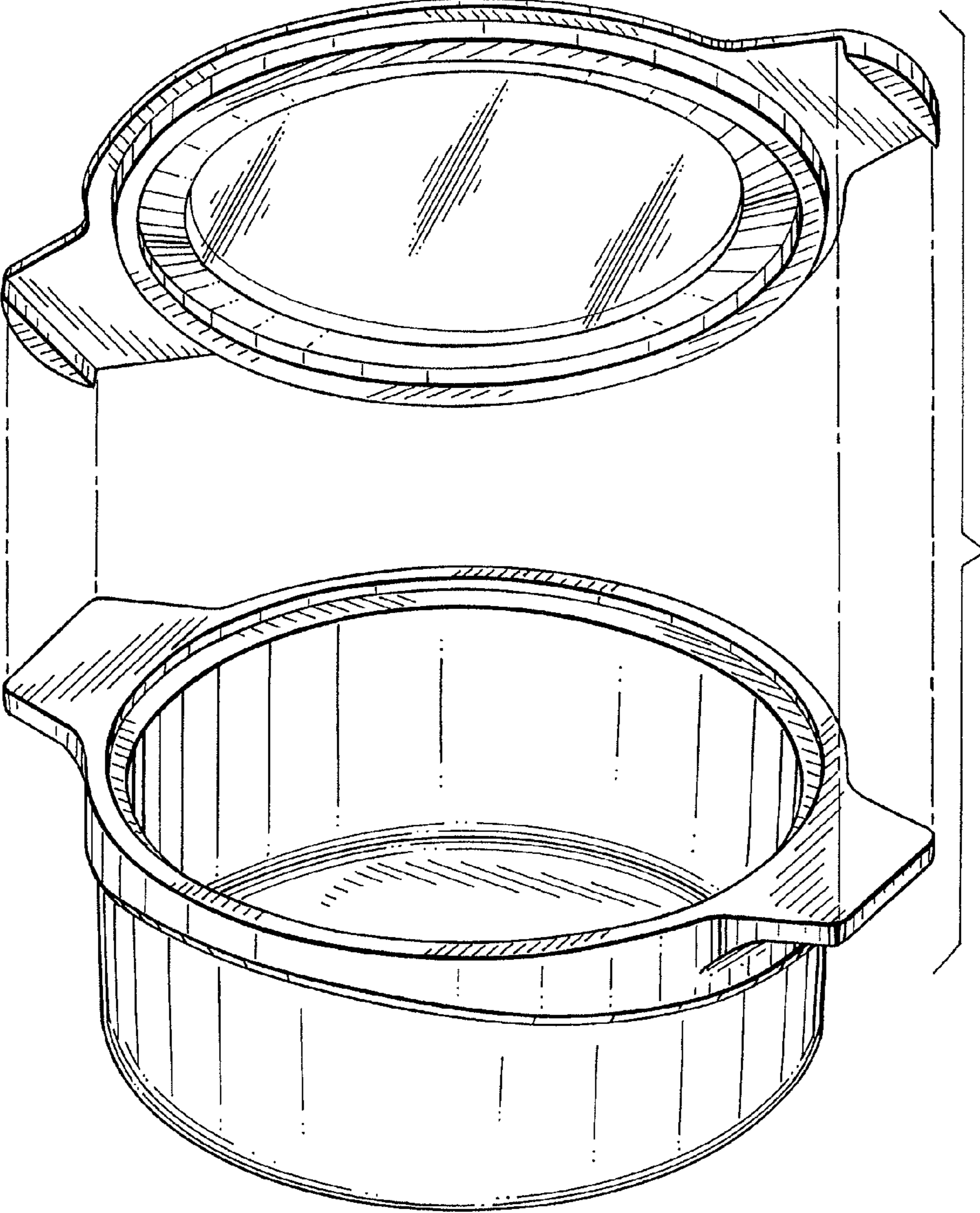


FIG. 6