



US00D704500S

(12) **United States Design Patent**
Kim

(10) **Patent No.:** **US D704,500 S**

(45) **Date of Patent:** **** May 13, 2014**

(54) **ELECTRIC RICE COOKER AND WARMER**

(71) Applicant: **Cuckoo Electronics Co., Ltd.**,
Kyungsangnam-do (KR)

(72) Inventor: **Jae Gon Kim**, Busan (KR)

(73) Assignee: **Cuckoo Electronics Co., Ltd.** (KR)

(**) Term: **14 Years**

(21) Appl. No.: **29/460,955**

(22) Filed: **Jul. 17, 2013**

(30) **Foreign Application Priority Data**

May 10, 2013 (KR) 30-2013-0024693

(51) **LOC (10) Cl.** **07-02**

(52) **U.S. Cl.**
USPC **D7/354**

(58) **Field of Classification Search**

USPC D7/307, 323, 329-332, 339, 346-347,
D7/350.1-350.4, 353-367, 391-392,
D7/392.1, 393, 395, 402, 406, 409,
D7/538-542, 600, 610-611; 99/324-325,
99/331-343, 369, 400-418, 422, 425, 426,
99/440, 451, 483; 126/37 R, 261, 374.1,
126/378.1, 381.1, 385.1; 206/501-505,
206/507-508; 219/400, 405, 429-442,
219/620-624, 725, 730-735; 220/203.05,
220/203.07, 203.09, 298, 315-316,
220/573.1-573.5, 912; 426/438, 441

See application file for complete search history.

(56) **References Cited**

U.S. PATENT DOCUMENTS

D347,353 S * 5/1994 Piret et al. D7/354
D423,277 S * 4/2000 Josancy D7/354

D452,412 S * 12/2001 Jeong D7/354
D464,526 S * 10/2002 Brown D7/354
D465,125 S * 11/2002 Chedal Anglay D7/354
D486,351 S 2/2004 Lu et al.
D489,223 S * 5/2004 Jung et al. D7/358
D489,935 S * 5/2004 Choi D7/354
D498,115 S * 11/2004 Shin D7/354
D505,293 S * 5/2005 Jung D7/354
D604,092 S * 11/2009 Kotani D7/354
D609,522 S 2/2010 Nakatani
D610,866 S * 3/2010 Fiorotto D7/354
D620,743 S 8/2010 Hsiao
D632,128 S * 2/2011 Lam D7/354
D637,452 S * 5/2011 Nakatani D7/354

* cited by examiner

Primary Examiner — Ricky Pham

(74) *Attorney, Agent, or Firm* — Luedeka Neely Group, PC

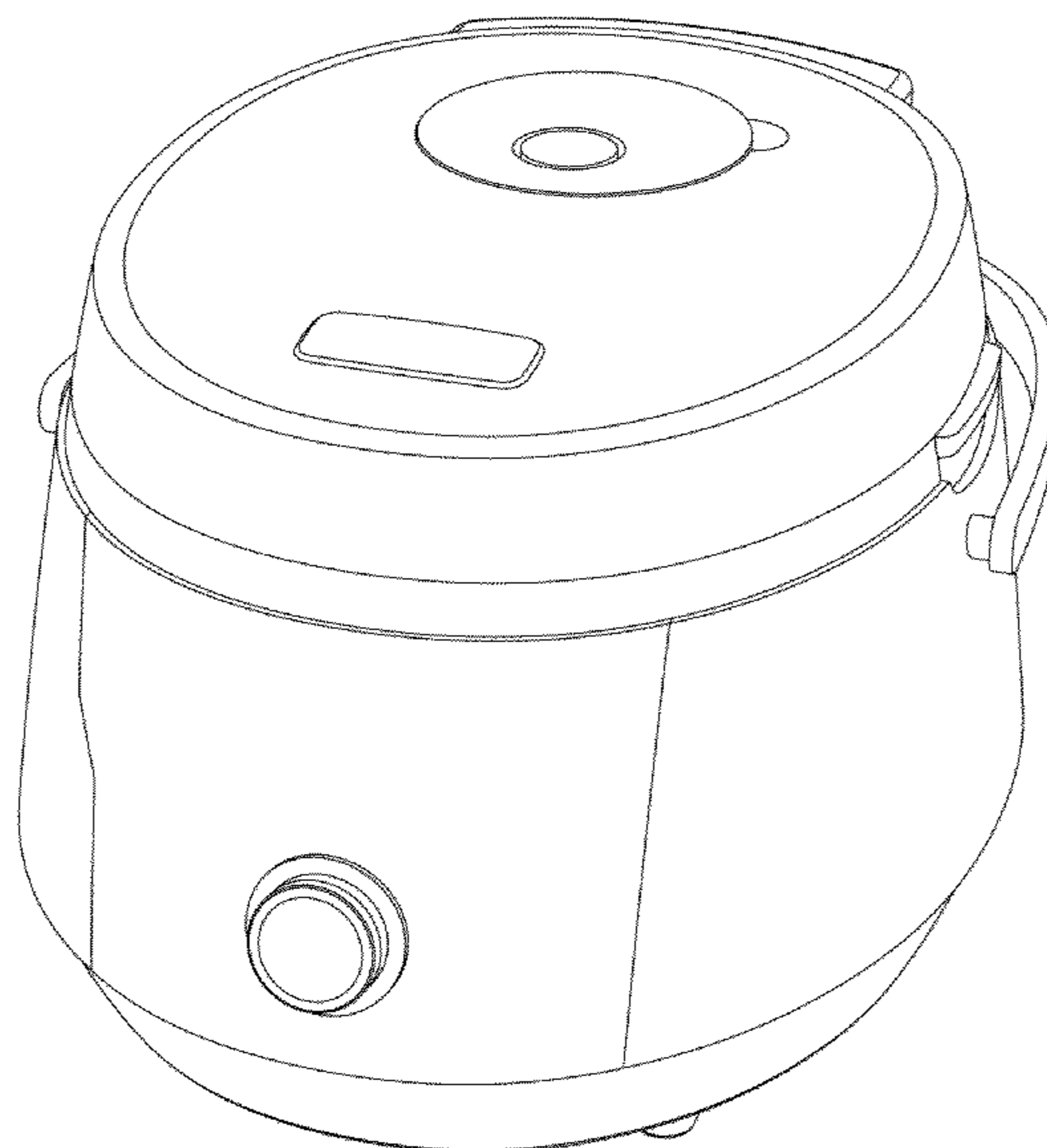
(57) **CLAIM**

The ornamental design of an electric rice cooker and warmer, as shown and described.

DESCRIPTION

FIG. 1 is perspective view of the electric rice cooker and warmer of my new design;
FIG. 2 is a front elevational view of the electric rice cooker and warmer of my new design;
FIG. 3 is a rear elevational view of the electric rice cooker and warmer of my new design;
FIG. 4 is a right side view of the electric rice cooker and warmer of my new design;
FIG. 5 is a left side view of the electric rice cooker and warmer of my new design;
FIG. 6 is a top plan view of the electric rice cooker and warmer of my new design; and,
FIG. 7 is a bottom plan view of the electric rice cooker and warmer of my new design.

1 Claim, 7 Drawing Sheets



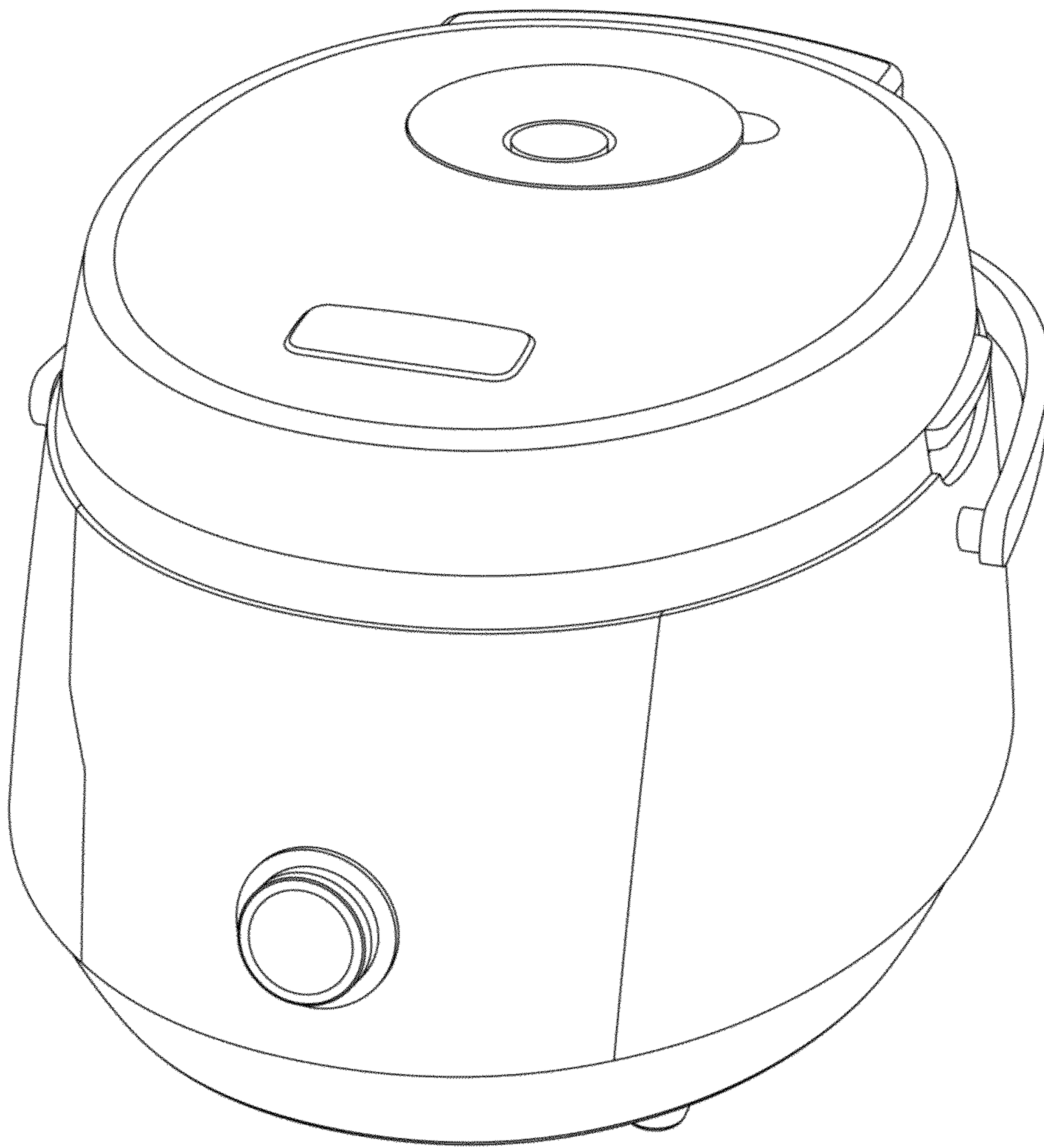


FIG. 1

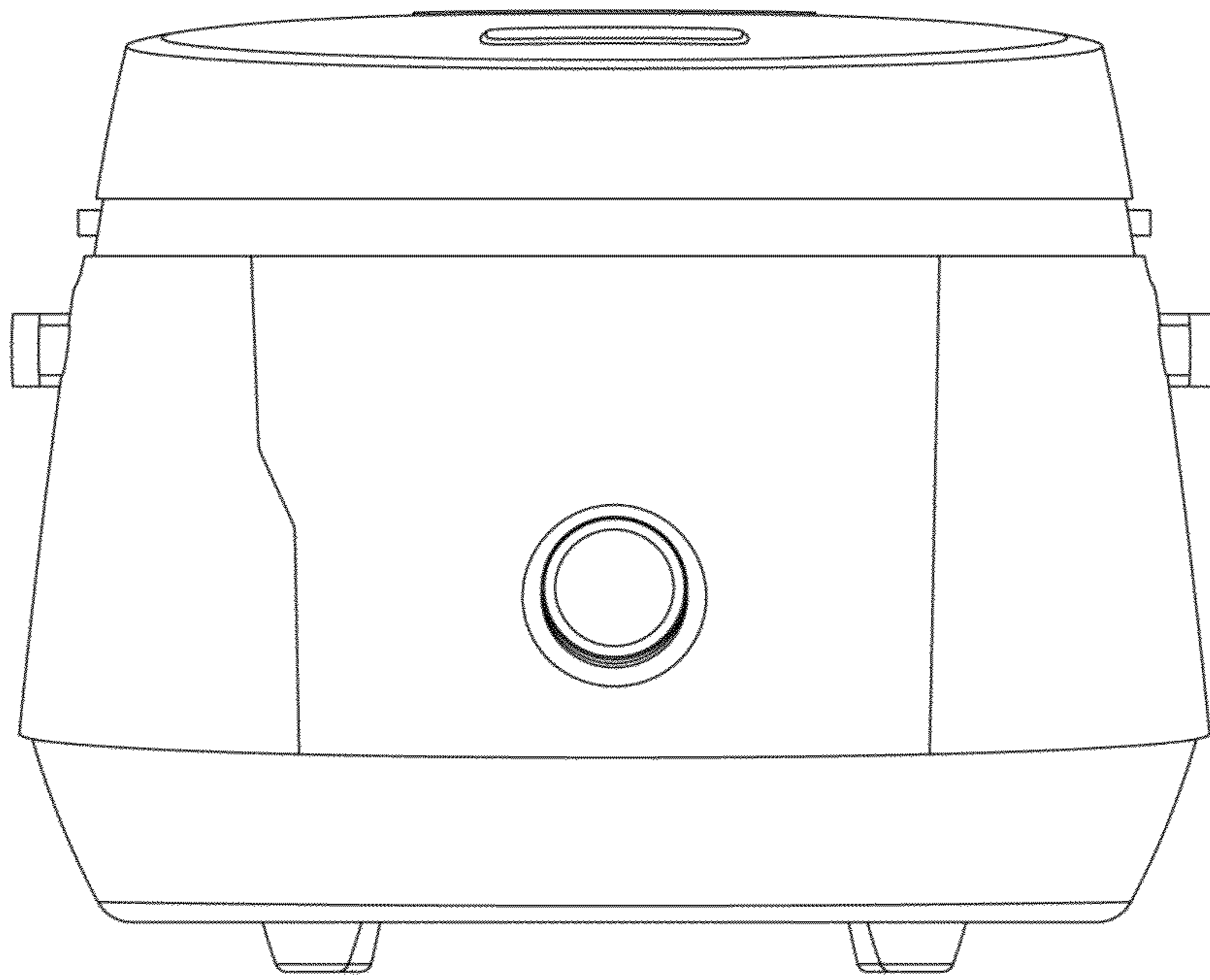


FIG. 2

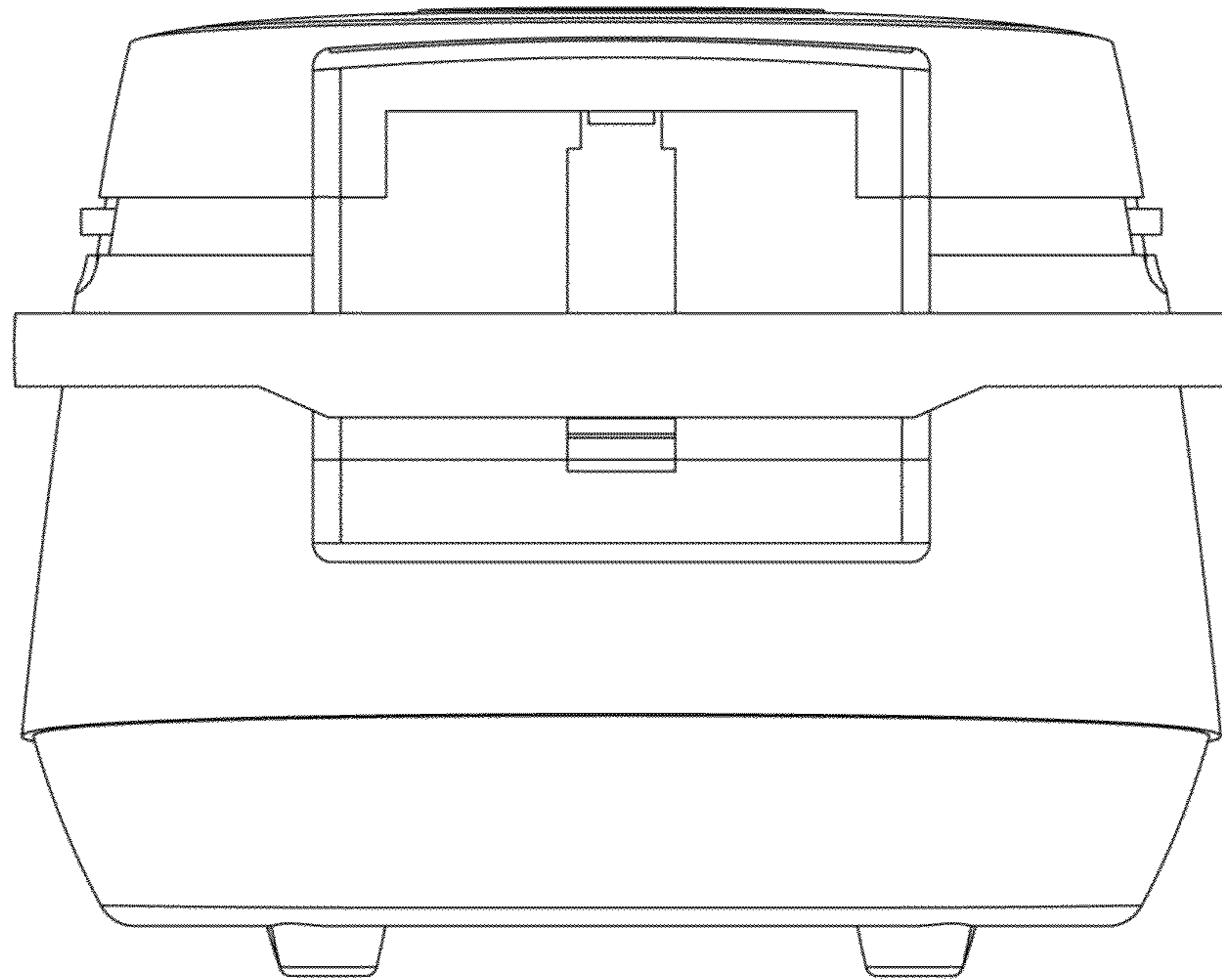


FIG. 3

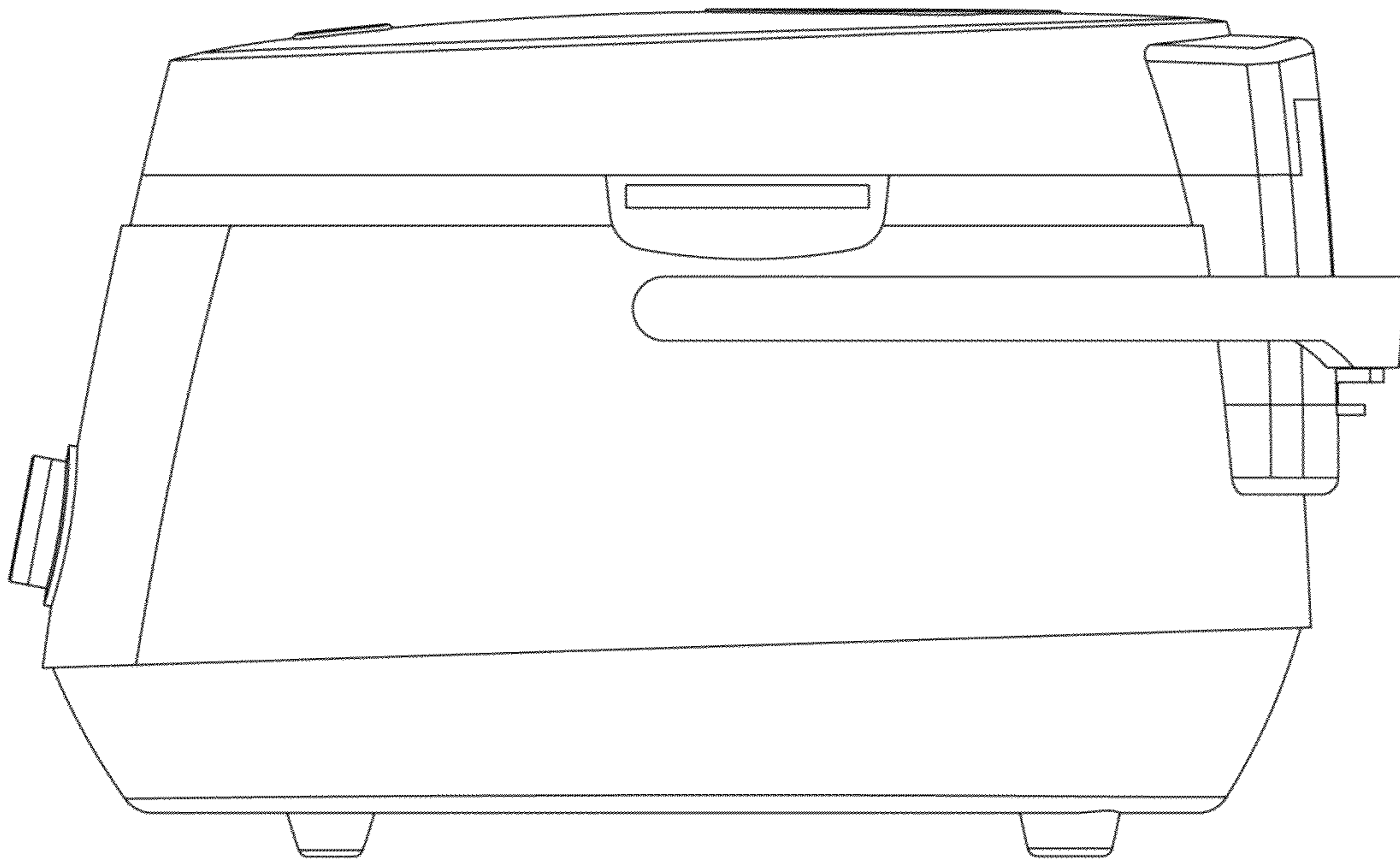


FIG. 4

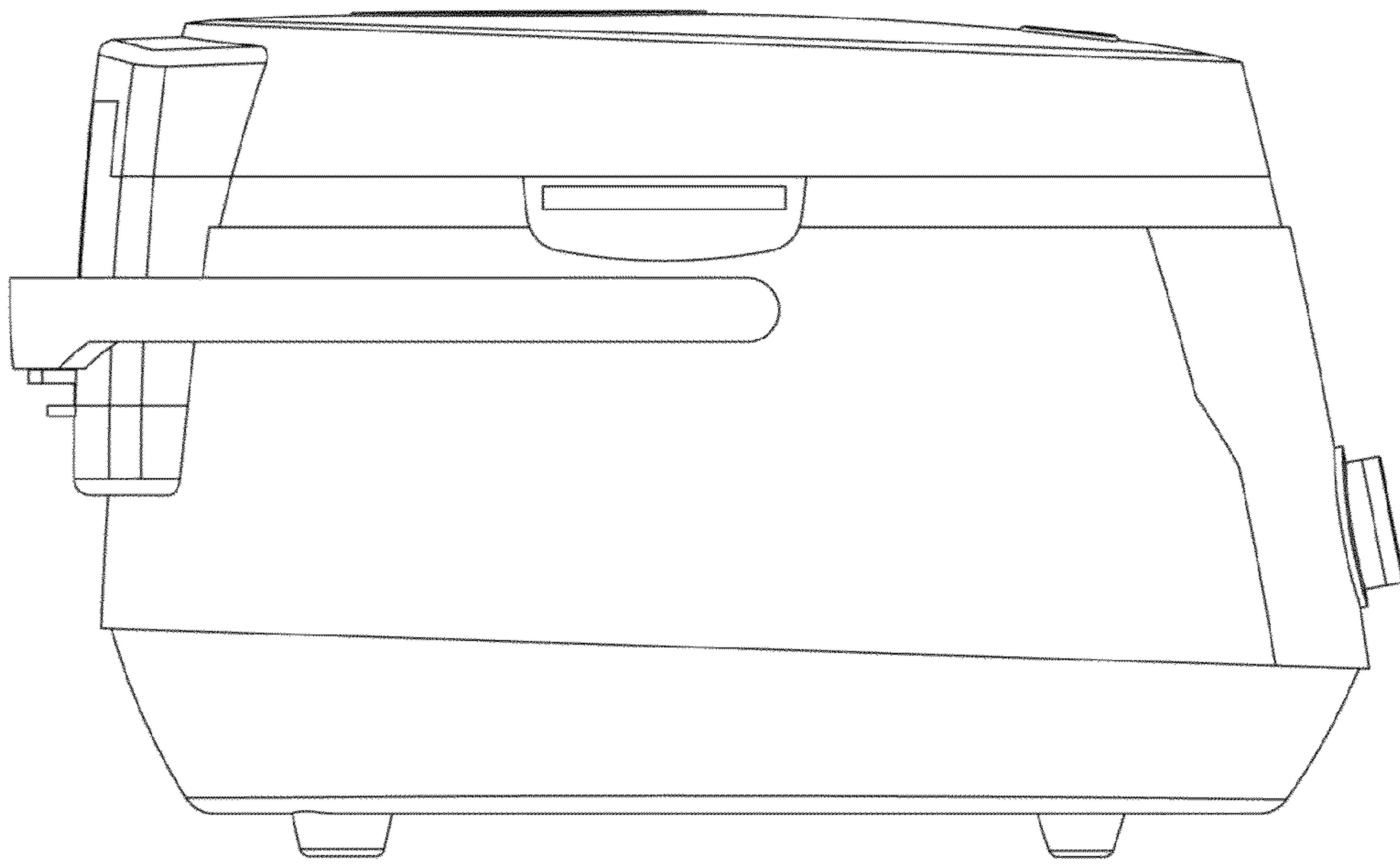


FIG. 5

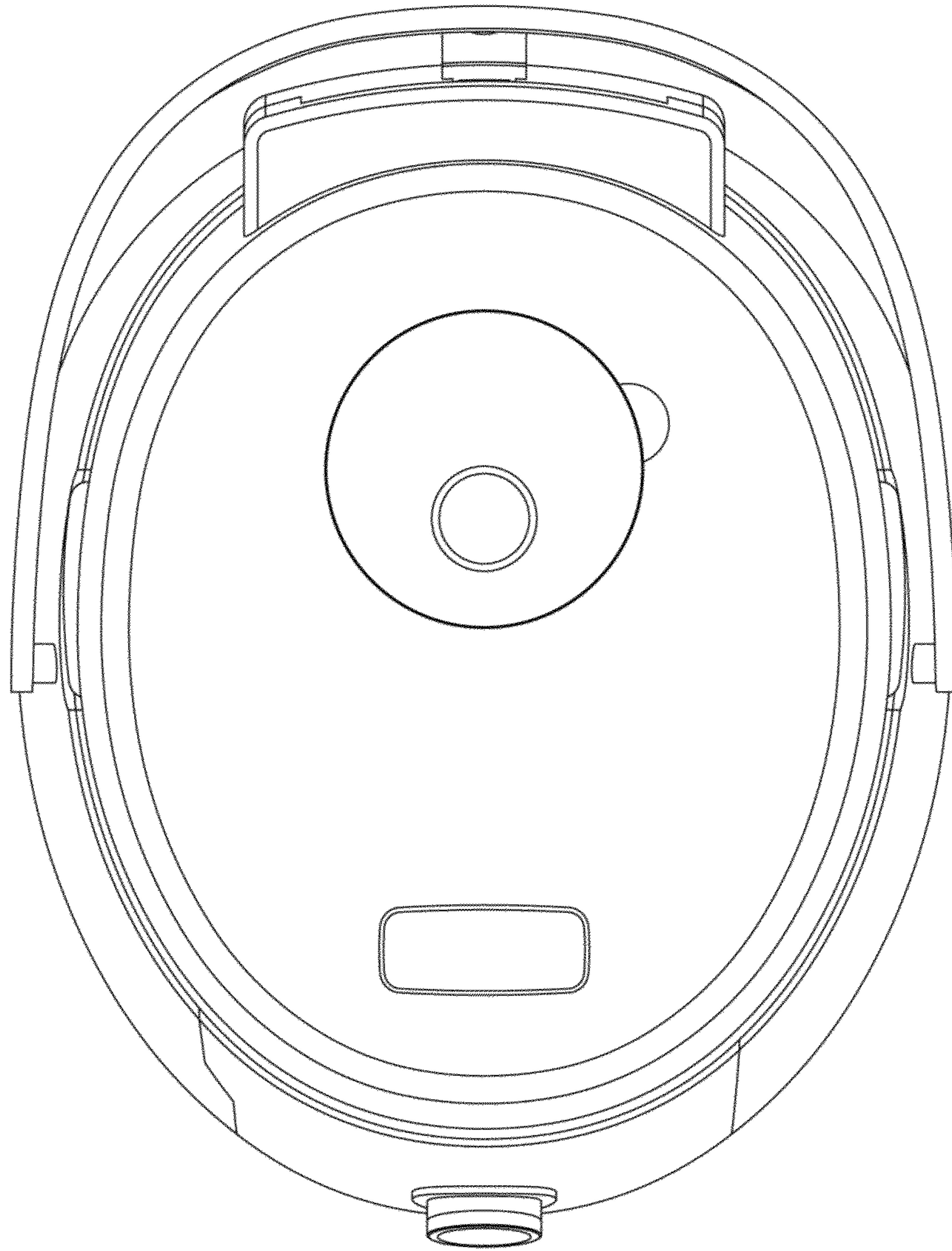


FIG. 6

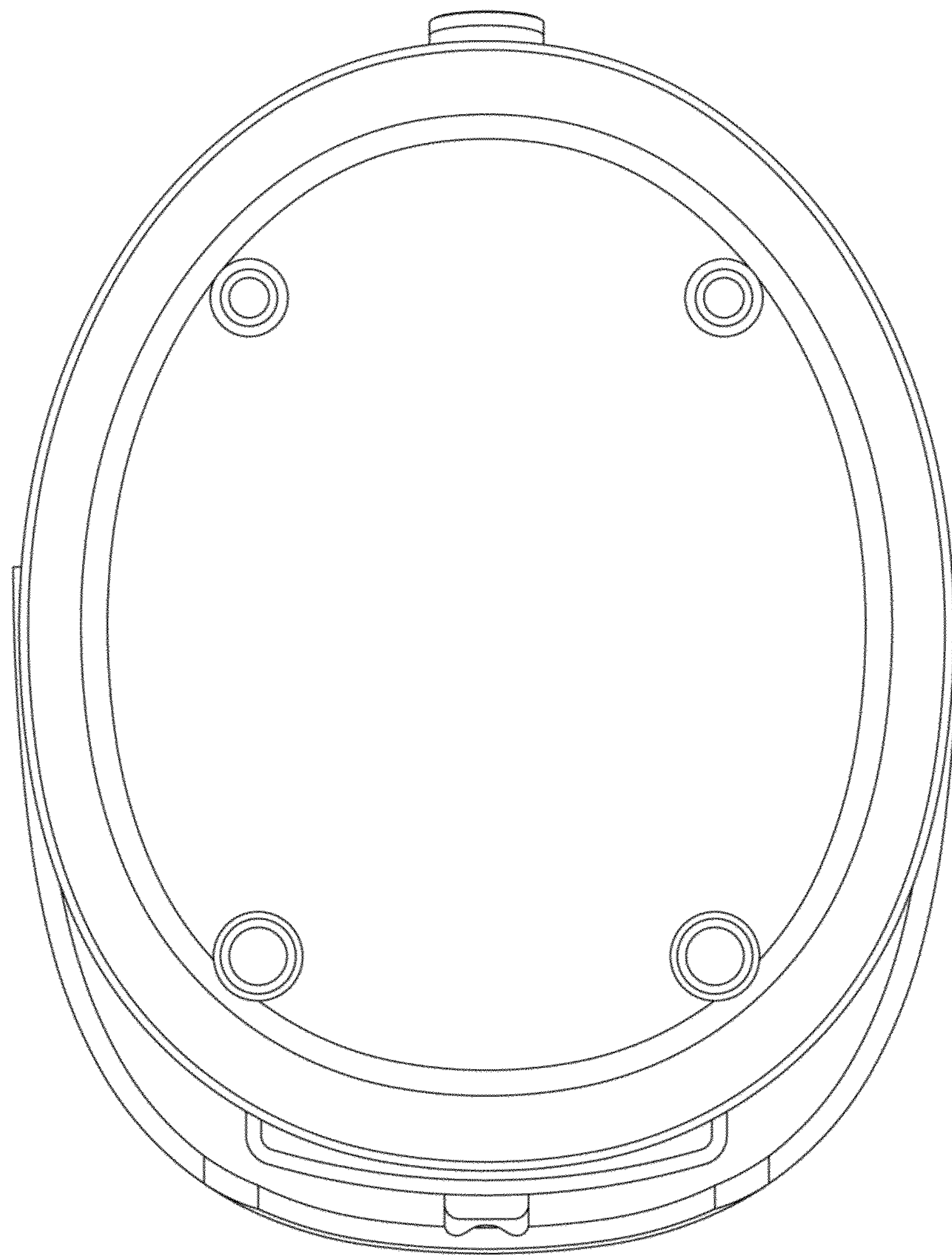


FIG. 7