



US00D704499S

(12) **United States Design Patent**
Kim et al.

(10) **Patent No.:** **US D704,499 S**

(45) **Date of Patent:** **** May 13, 2014**

(54) **MICROWAVE OVEN**

(71) Applicant: **LG Electronics Inc.**, Seoul (KR)

(72) Inventors: **Sooyeon Kim**, Seoul (KR); **Songyi Han**, Seoul (KR); **Hongsik Kwon**, Seoul (KR)

(73) Assignee: **LG Electronics Inc.**, Seoul (KR)

(**) Term: **14 Years**

(21) Appl. No.: **29/443,931**

(22) Filed: **Jan. 24, 2013**

(30) **Foreign Application Priority Data**

Aug. 2, 2012 (KR) 30-2012-0037619

(51) **LOC (10) Cl.** **07-03**

(52) **U.S. Cl.**
USPC **D7/351**

(58) **Field of Classification Search**
USPC D7/350.1, 350.3, 350.4, 351, 402, 405,
D7/406; 219/756-758; 126/19 M, 21 A,
126/275 E
See application file for complete search history.

(56) **References Cited**

U.S. PATENT DOCUMENTS

D318,396 S * 7/1991 Jung D7/351
D335,064 S * 4/1993 Sugiyama et al. D7/351

D452,410 S * 12/2001 Ichimura D7/351
D455,932 S * 4/2002 Noda et al. D7/351
D477,964 S * 8/2003 Kanza D7/351
D478,465 S * 8/2003 Kanza D7/351
D586,173 S * 2/2009 Kim D7/351
D599,163 S * 9/2009 Oomae D7/351
D606,360 S * 12/2009 Lee D7/351
D675,475 S * 2/2013 Yoon D7/351

* cited by examiner

Primary Examiner — Ruth McInroy

(74) *Attorney, Agent, or Firm* — Morgan, Lewis & Bockius LLP

(57) **CLAIM**

The ornamental design for a microwave oven, as shown and described.

DESCRIPTION

FIG. 1 is a perspective view of a microwave oven showing our new design;
FIG. 2 is a front view thereof;
FIG. 3 is a rear view thereof;
FIG. 4 is a left side view thereof;
FIG. 5 is a right side view thereof;
FIG. 6 is a top plan view thereof;
FIG. 7 is a bottom plan view thereof; and,
FIG. 8 is a front view thereof, showing the unclaimed clock in an operating state.

The broken lines shown in the drawings are for illustrative purposes only and form no part of the claimed design.

1 Claim, 8 Drawing Sheets

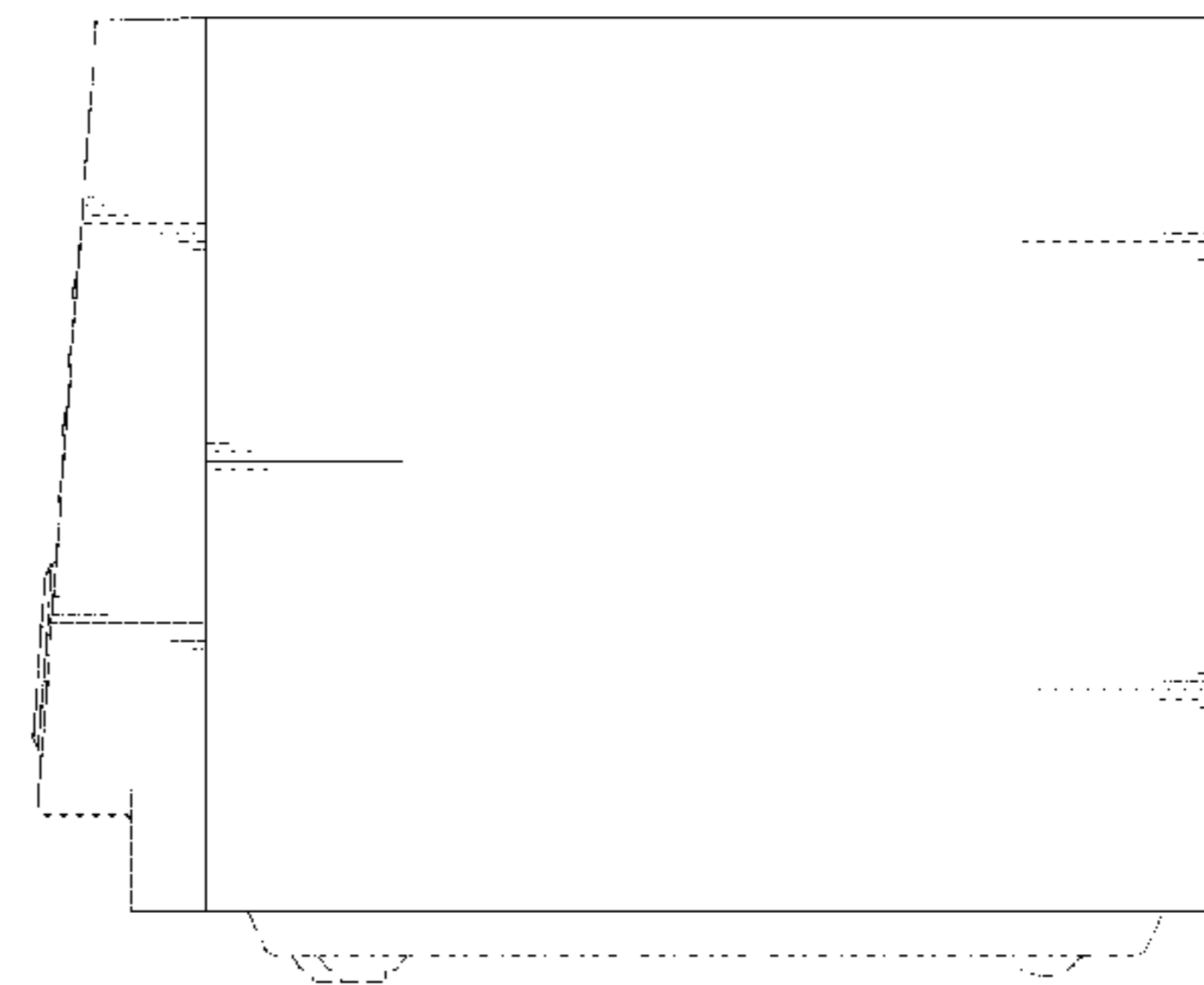
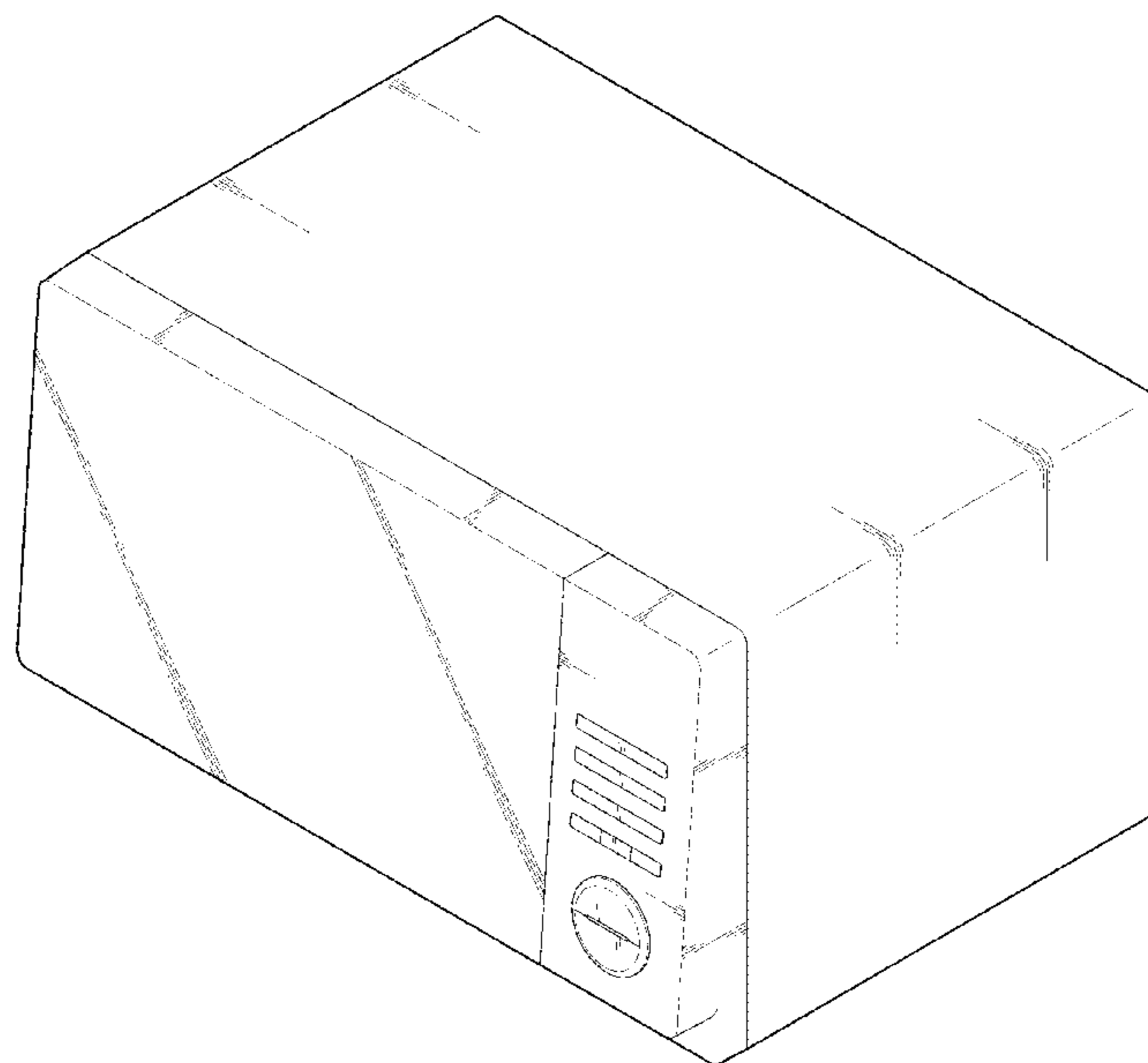


FIG. 1

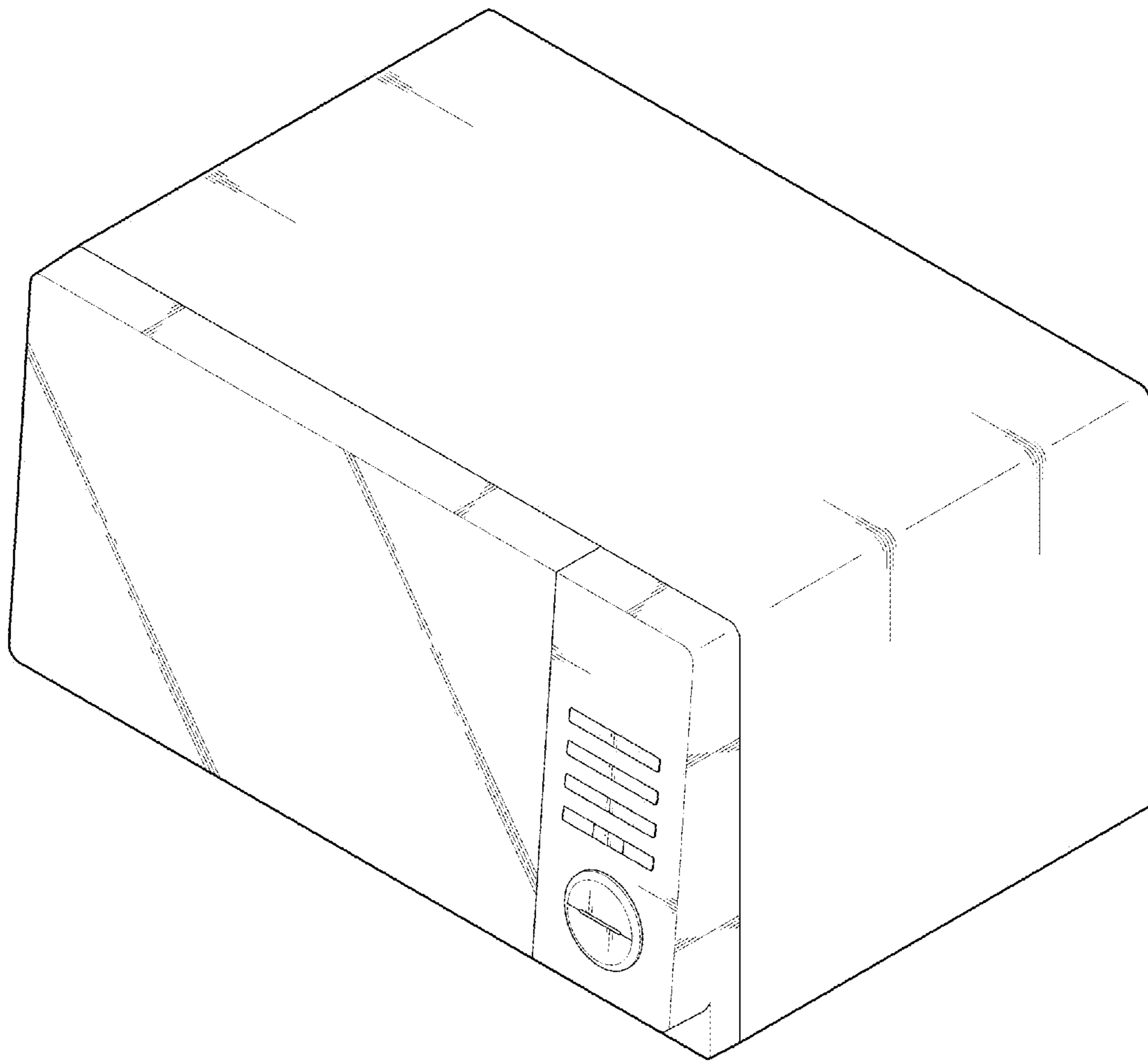


FIG. 2

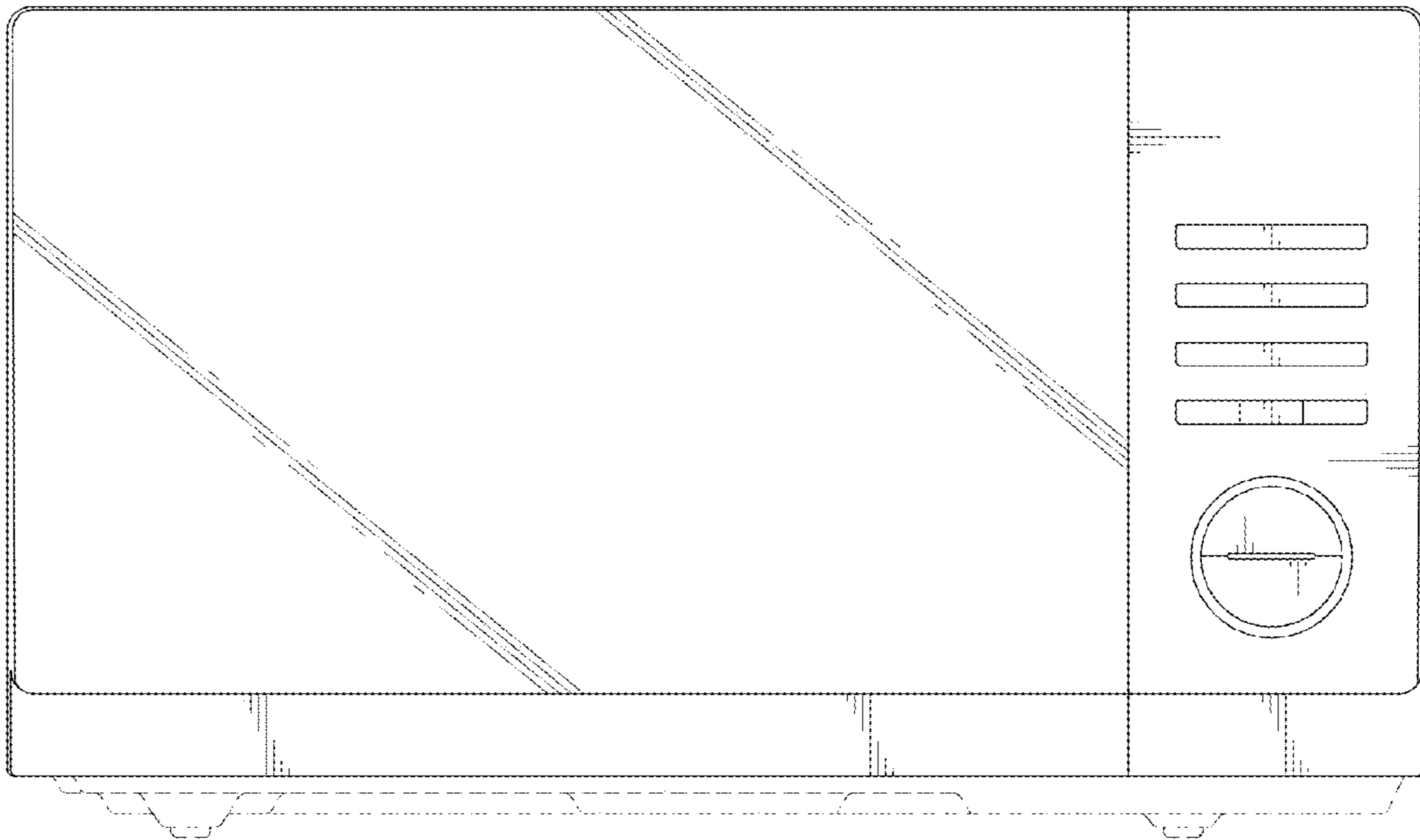


FIG. 3



FIG. 4

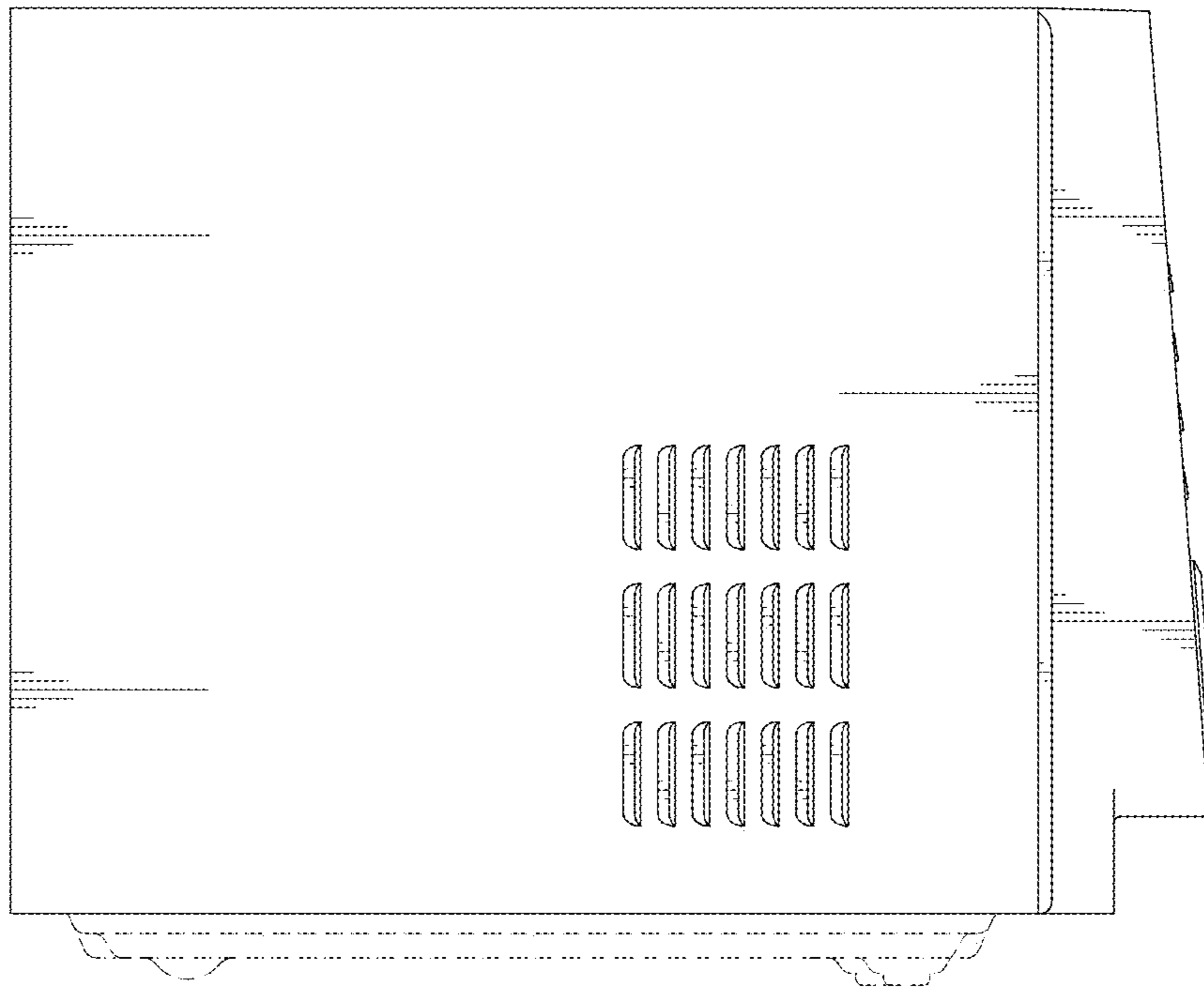


FIG. 5

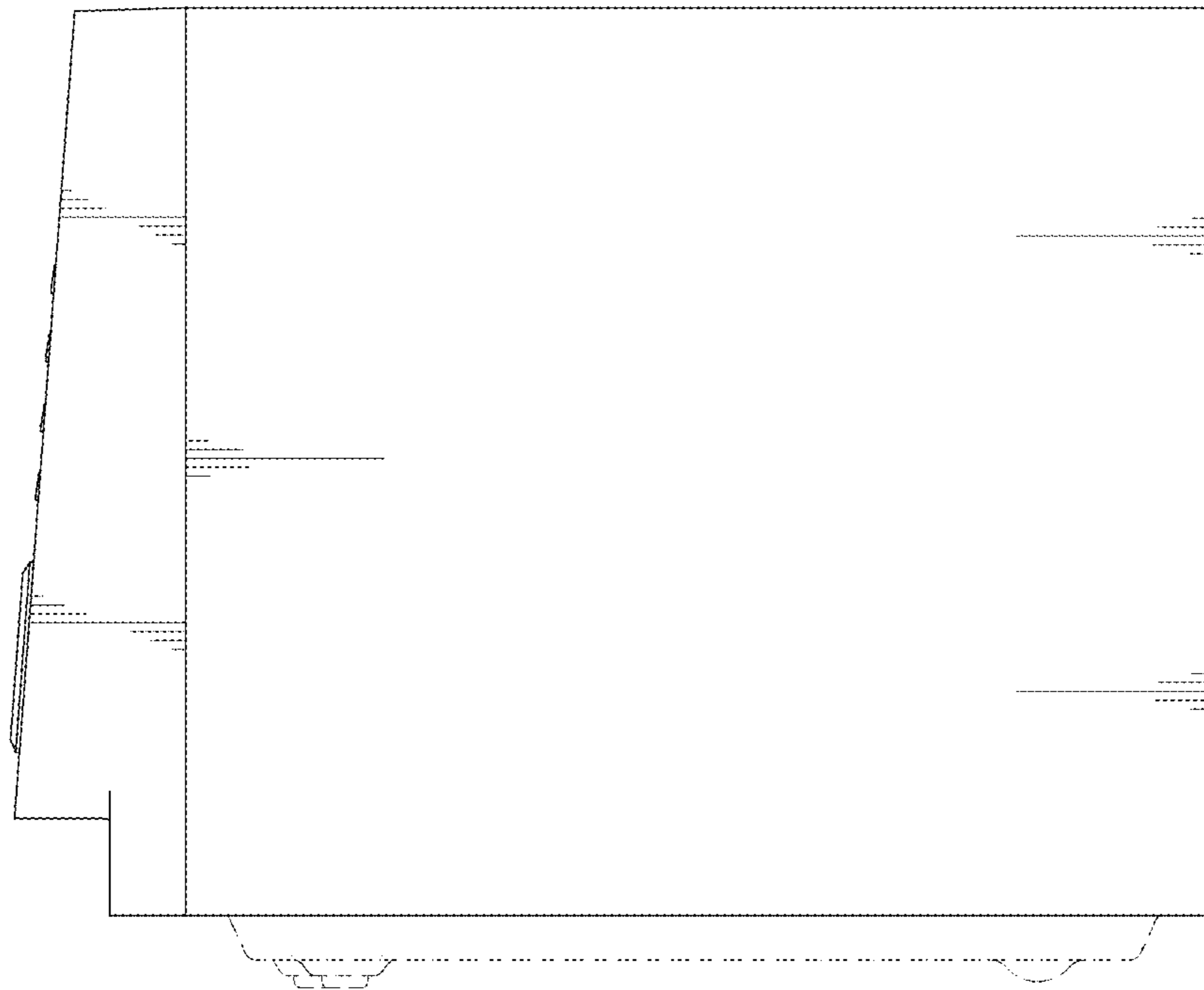


FIG. 6

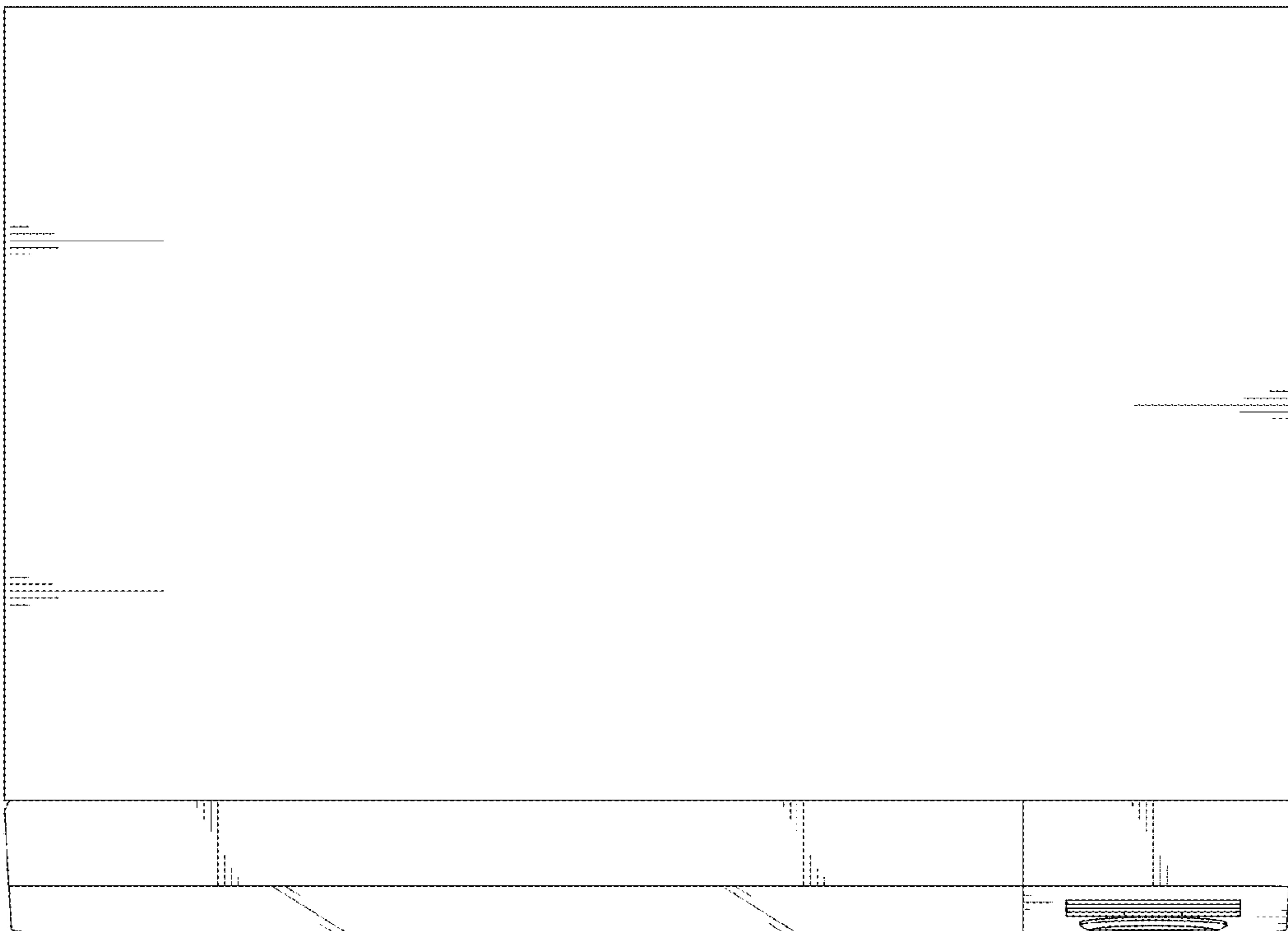


FIG. 7

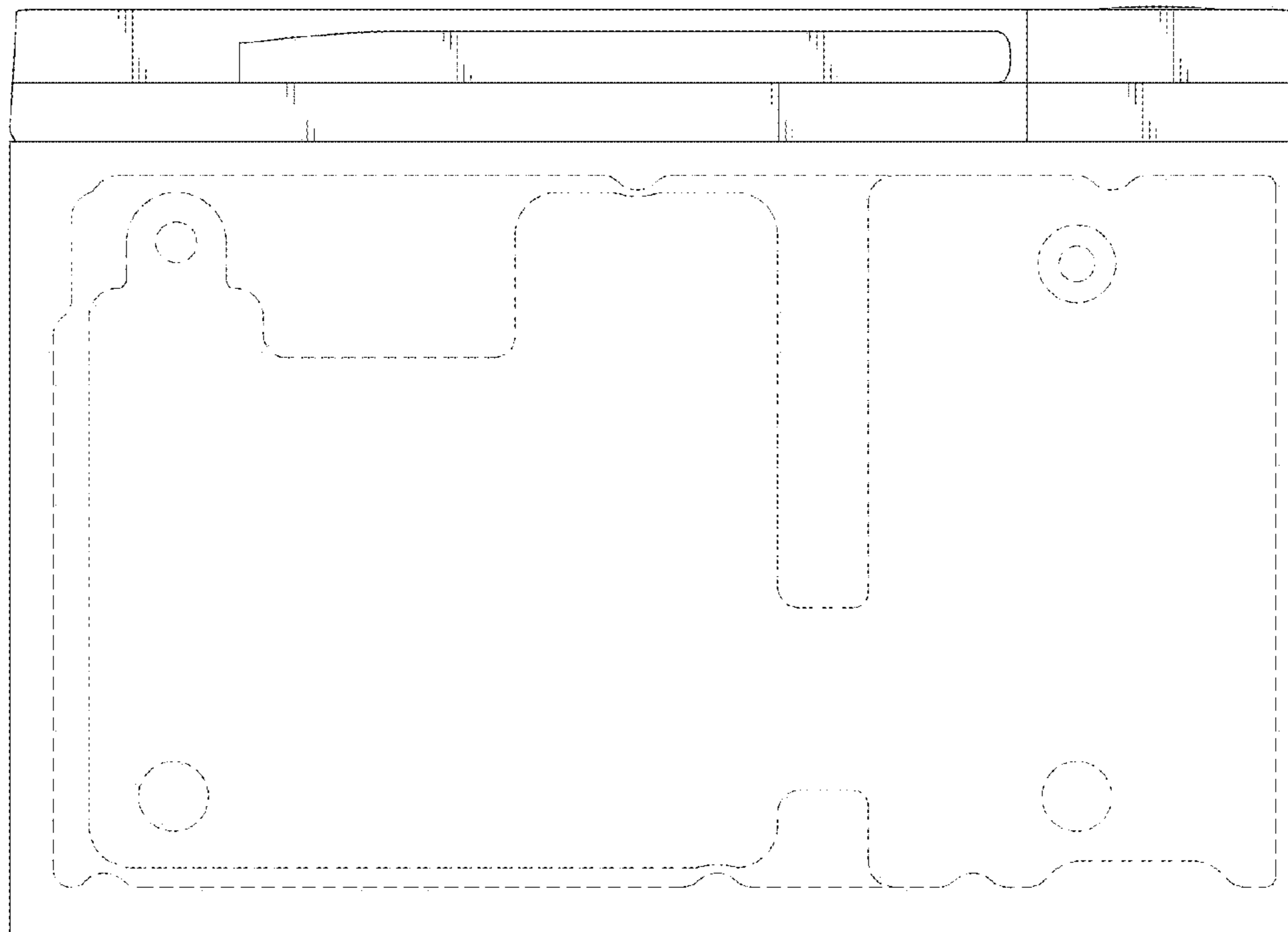


FIG. 8

