



US00D704496S

(12) **United States Design Patent**  
**Coppersmith**

(10) **Patent No.:** **US D704,496 S**

(45) **Date of Patent:** **\*\* May 13, 2014**

(54) **SEE-THROUGH TOASTER**

FOREIGN PATENT DOCUMENTS

(71) Applicant: **Eldon Coppersmith**, Lakewood, CO  
(US)

CN 2110171 U 7/1992  
CN 2150804 Y 12/1993

(Continued)

(72) Inventor: **Eldon Coppersmith**, Lakewood, CO  
(US)

OTHER PUBLICATIONS

(73) Assignee: **Eldon Coppersmith**, Lakewood, CO  
(US)

Author Unknown, "See-Through Toaster," thisnext, date unknown, 1 page. Retrieved on May 29, 2013 from: <http://www.thisnext.com/item/35746CCC/See-Through-Toaster>.

(\*\*) Term: **14 Years**

(Continued)

(21) Appl. No.: **29/433,408**

*Primary Examiner* — Ricky Pham

(22) Filed: **Sep. 28, 2012**

(74) *Attorney, Agent, or Firm* — Kilpatrick Townsend & Stockton LLP

(51) **LOC (10) Cl.** ..... **07-02**

(52) **U.S. Cl.**

USPC ..... **D7/330**

(58) **Field of Classification Search**

USPC ..... D7/306, 323, 328–331, 337, 339,  
D7/346–347, 350.1–350.4, 352–367, 391,  
D7/393, 395, 402, 409, 538, 542, 674;  
83/762; 99/324–327, 329 P, 331–332,  
99/337–349, 358, 369–376, 380–391,  
99/400–418, 422, 425, 444–446, 483;  
126/37 R, 261, 378.1; 219/385–388,  
219/400, 405, 429–442, 450.1, 452.13,  
219/620–624, 725, 730–735; 220/23.8,  
220/315, 573.1–573.5, 912; 426/233, 438,  
426/441, 523

See application file for complete search history.

(57) **CLAIM**

The ornamental design for a see-through toaster, as shown and described.

**DESCRIPTION**

FIG. 1 is a front elevational view of a see-through toaster showing my new design in the environment of a toaster illustrated with dashed lines;

FIG. 2 is a back elevational view thereof;

FIG. 3 is a top plan view thereof; and,

FIG. 4 is a perspective view thereof.

The see-through toaster is particularly useful for toasting food to the desired completeness, and for avoiding excessive toasting of food, which may result in food waste. Viewing food as it is being toasted may provide a pleasurable culinary experience.

The broken or dashed lines showing environment is for illustrative purposes only and forms no part of the claimed design. Orientation descriptions of the feature elements using words "top", "front", or "back", are purely for illustration corresponding to specific drawings as filed and should not unduly limit the claimed design thereof.

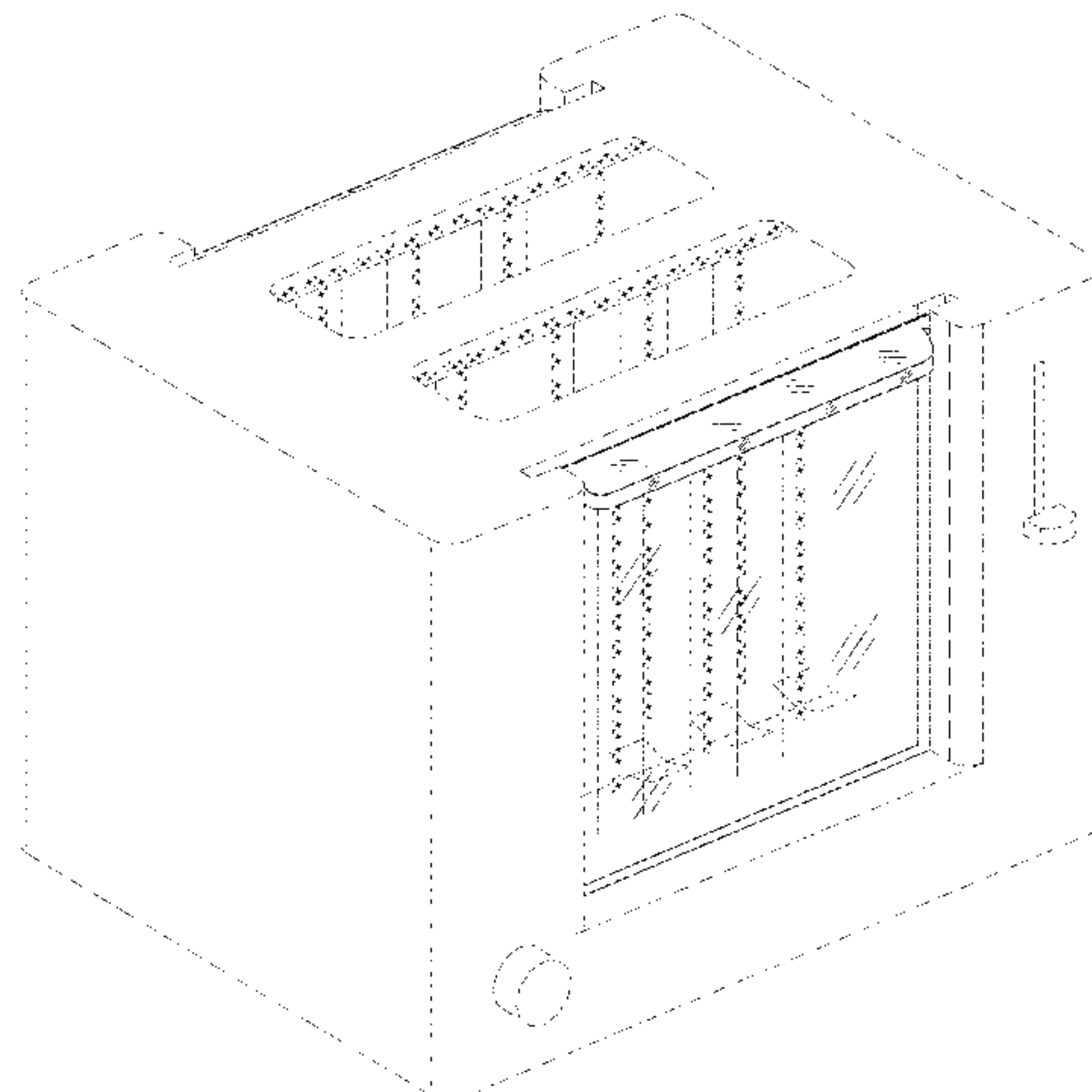
(56) **References Cited**

U.S. PATENT DOCUMENTS

3,146,692 A 9/1964 Connolly  
3,336,858 A \* 8/1967 Maindonald ..... 99/391  
4,220,134 A 9/1980 Snyder  
4,748,308 A 5/1988 Drews  
5,215,491 A 6/1993 Willet et al.  
5,690,013 A \* 11/1997 Kanarek et al. .... 83/762  
5,694,831 A \* 12/1997 Haroun et al. .... 99/339  
5,846,279 A 12/1998 Nomura et al.

(Continued)

**1 Claim, 4 Drawing Sheets**



(56)

References Cited

U.S. PATENT DOCUMENTS

6,019,030 A \* 2/2000 Kettman ..... 99/386  
 6,104,007 A 8/2000 Lerner  
 6,143,417 A 11/2000 Nomura et al.  
 6,341,554 B2 1/2002 Thiriat  
 6,397,732 B1 6/2002 Jenkins  
 6,657,168 B1 12/2003 Lazzer  
 6,675,700 B2 \* 1/2004 Hong ..... 99/329 P  
 7,357,070 B2 4/2008 Chan  
 D598,236 S \* 8/2009 Dyson et al. .... D7/328  
 D599,607 S 9/2009 Verdun  
 D601,847 S \* 10/2009 Gammack et al. .... D7/306  
 D603,649 S \* 11/2009 Chung et al. .... D7/330  
 D605,891 S \* 12/2009 Kizilbayir ..... D7/330  
 D609,958 S \* 2/2010 Chung et al. .... D7/330  
 D622,091 S \* 8/2010 Knox et al. .... D7/330  
 7,824,720 B2 11/2010 Unwin  
 D634,154 S \* 3/2011 Agnello et al. .... D7/328  
 2001/0042447 A1 11/2001 Thiriat  
 2004/0026404 A1 2/2004 Lerner  
 2005/0016381 A1 1/2005 Chan  
 2005/0233034 A1 10/2005 Unwin  
 2009/0071347 A1 3/2009 Lee  
 2009/0288563 A1 11/2009 Lim

FOREIGN PATENT DOCUMENTS

CN 2879673 Y 3/2007  
 CN 201005547 Y 1/2008  
 CN 201279071 Y 7/2009  
 CN 201314597 Y 9/2009  
 CN 101869438 A3 10/2010  
 DE 3106719 A1 9/1982  
 DE 3541425 A1 5/1987  
 DE 3628617 A1 3/1988  
 DE 4214297 A1 11/1993  
 DE 4243992 C2 4/2000  
 DE 10145911 A1 4/2003  
 DE 10336381 A1 3/2004  
 EP 289634 A1 11/1988  
 EP 525458 A1 2/1993  
 EP 487257 B1 7/1994  
 FR 2707858 B1 12/1995  
 GB 639561 A 6/1950  
 GB 730491 A 5/1955  
 GB 763736 A 12/1956  
 GB 784600 A 10/1957  
 GB 910635 11/1962  
 GB 998871 A 7/1965  
 GB 1159390 A 7/1969  
 GB 1206071 A 9/1970  
 GB 1315168 A 4/1973  
 GB 1321907 A 7/1973  
 GB 1339469 A 12/1973

GB 1346239 A 2/1974  
 GB 1366882 A 9/1974  
 GB 2361412 B 5/2002  
 GB 2423463 B 2/2007  
 JP 55019183 A 2/1980  
 JP 58179734 A 10/1983  
 JP 58179735 A 10/1983  
 JP 58179736 A 10/1983  
 JP 1285314 A 11/1986  
 JP 62223529 A 10/1987  
 JP 63005648 B 2/1988  
 JP 1458524 C 9/1988  
 JP 1056342 A 3/1989  
 JP 1155122 A 6/1989  
 JP 1196250 A 8/1989  
 JP 1211883 A 8/1989  
 JP 1296589 A 11/1989  
 JP 3007814 A 1/1991  
 JP 3291420 A 12/1991  
 JP 4198628 A 7/1992  
 JP 4240133 A 8/1992  
 JP 6174243 A 6/1994  
 JP 6078178 B 10/1994  
 JP 7009301 B 2/1995  
 JP 1945000 C 6/1995  
 JP 7056835 B 6/1995  
 JP 1977416 C 10/1995  
 JP 1977417 C 10/1995  
 JP 8000466 A 1/1996  
 JP 2532552 B2 9/1996  
 JP 1033386 A 2/1998  
 JP 2891876 B2 5/1999  
 JP 11137449 A 5/1999  
 JP 11235280 A 8/1999  
 JP 11325475 A 11/1999  
 JP 20000051094 A 2/2000  
 JP 2002206754 A 7/2002  
 JP 2005287553 A 10/2005  
 JP 2004354006 B2 7/2007  
 KR 20100050211 A 5/2010  
 KR 20100083535 A 7/2010  
 WO 2007140652 A1 12/2007  
 WO 2010094895 A3 11/2010  
 WO 2010131051 A3 1/2011

OTHER PUBLICATIONS

Lugmayr, L., "Designer Lamp Toaster," I4U News, Feb. 24, 2005, 1 page. Retrieved on May 29, 2013 from: <http://www.i4u.com/7418/designer-lamp-toaster>.  
 Murph, D., "Transparent Toaster gives you clear view of bread's crispiness," Engadget, Sep. 3, 2007, 2 pages. Retrieved from: <http://www.engadget.com/2007/09/03/transparent-toaster-gives-you-clear-view-of-breads-crispiness/>.

\* cited by examiner

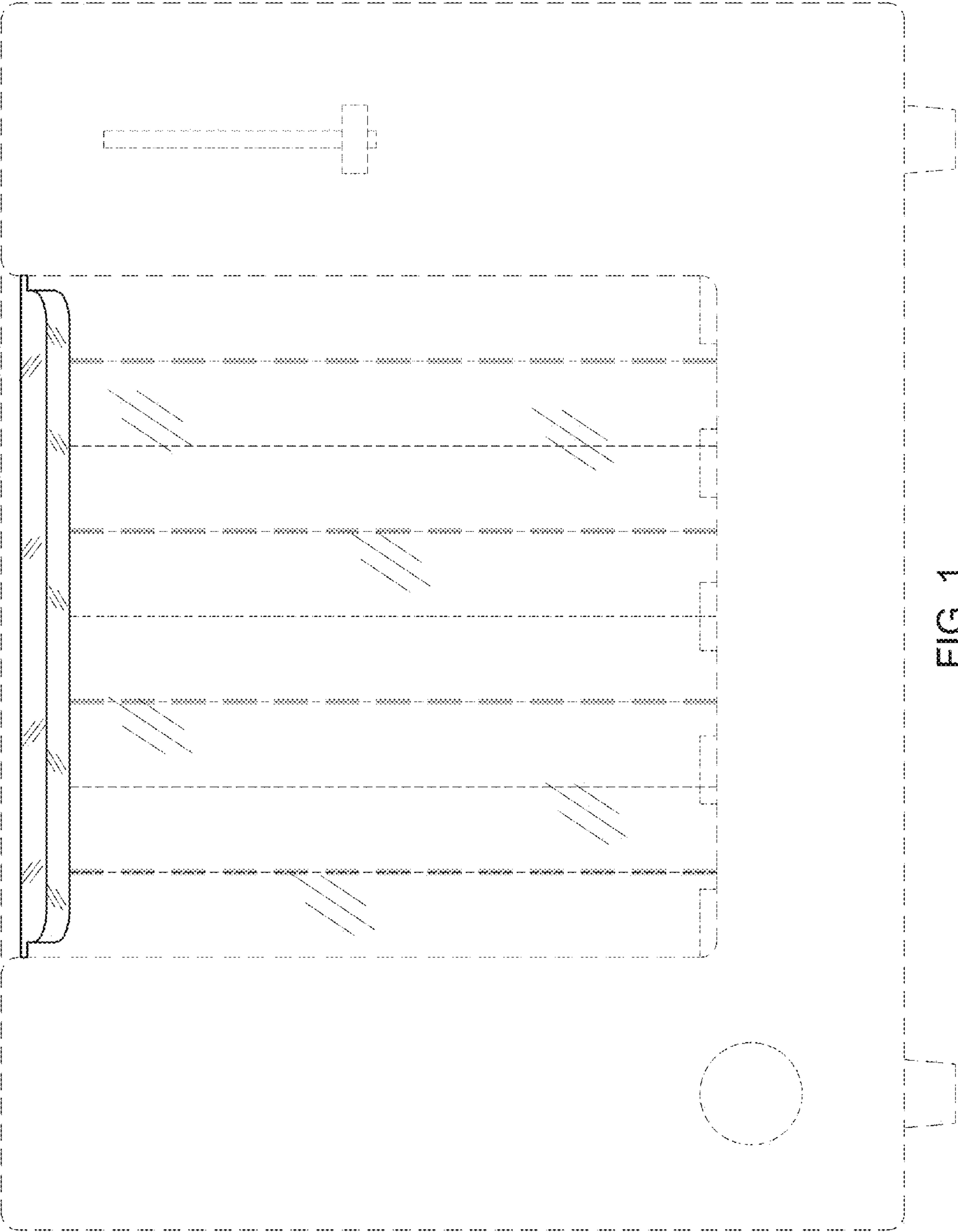


FIG. 1

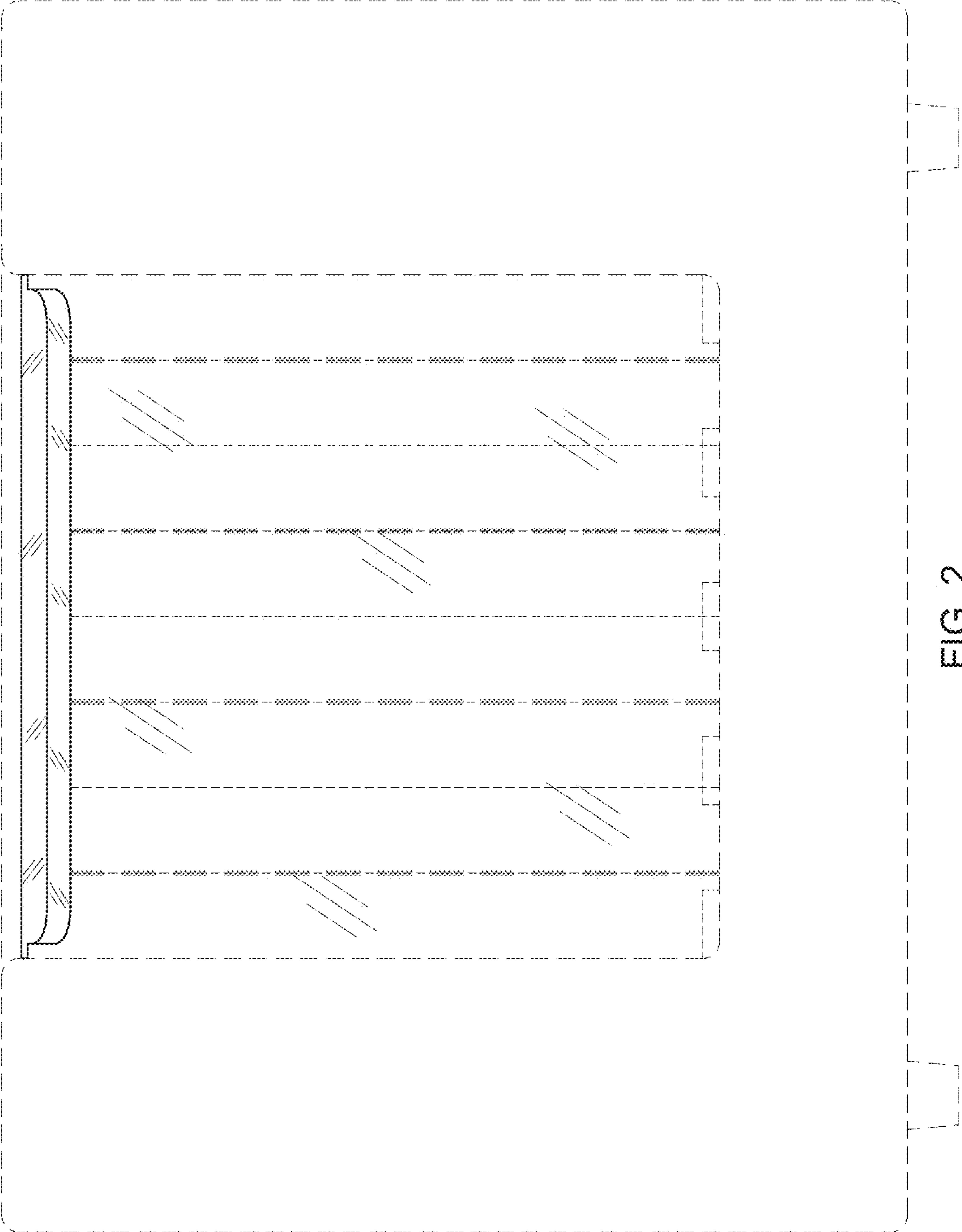


FIG. 2



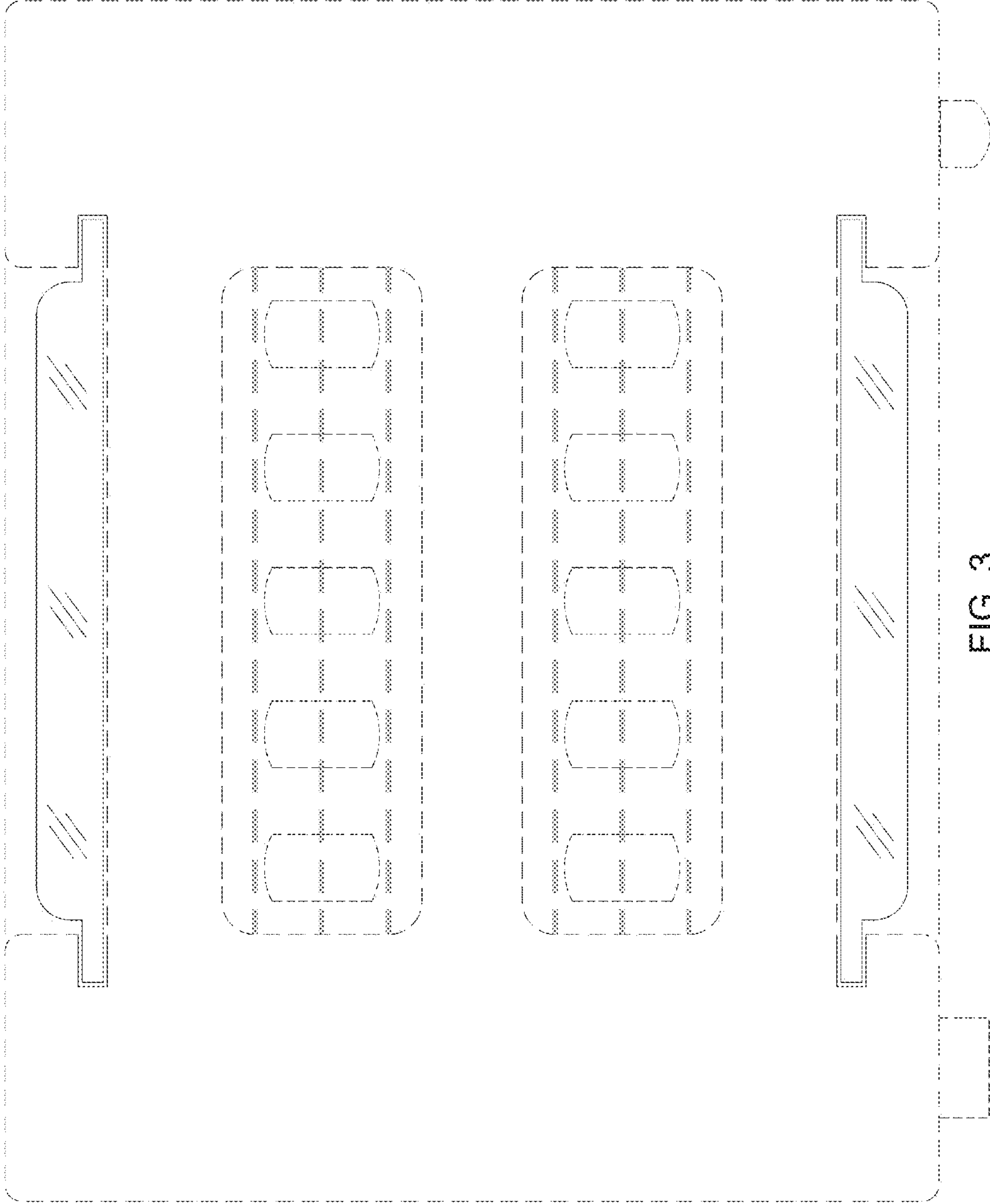


FIG. 3

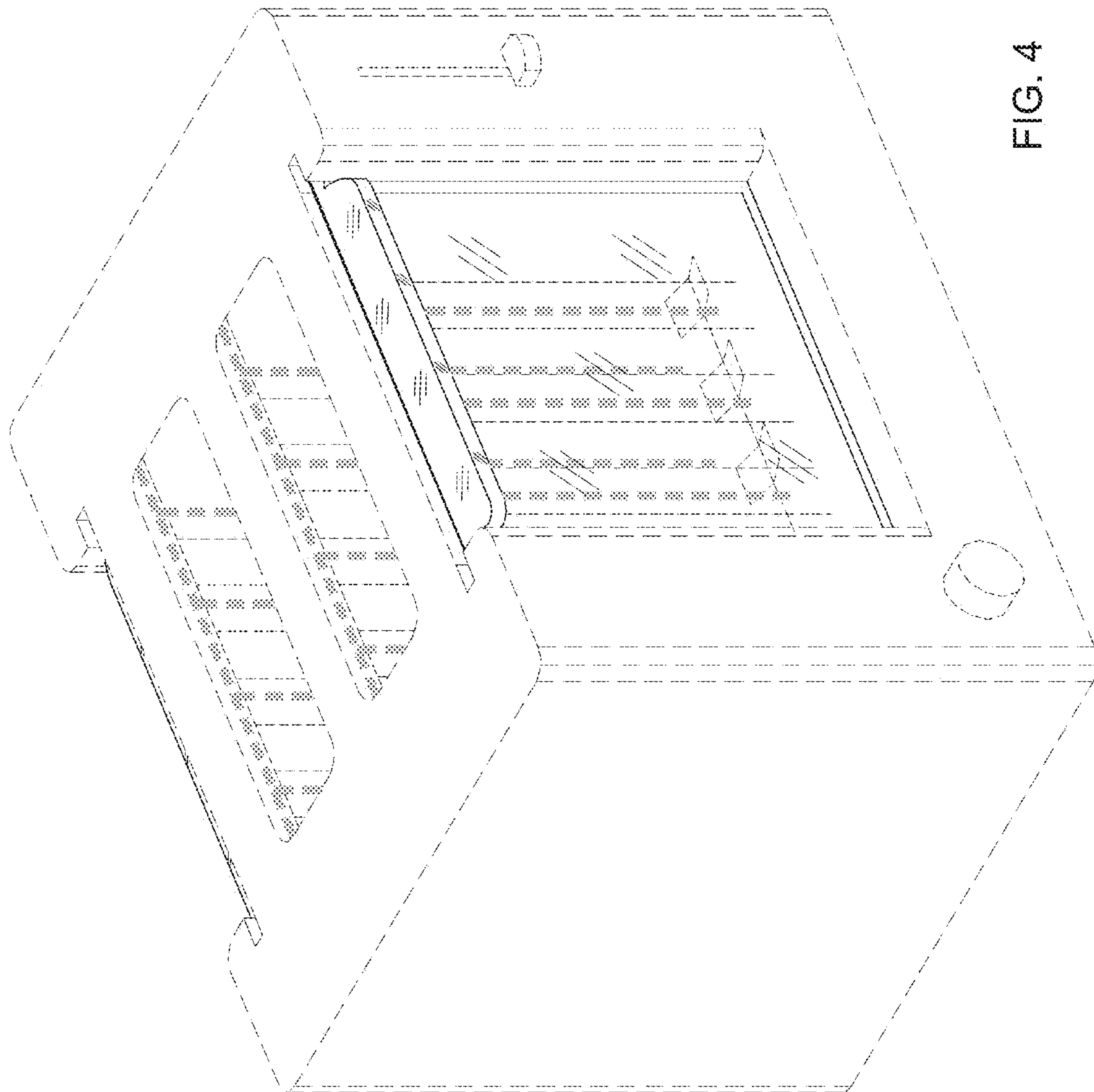


FIG. 4