



US00D704495S

(12) **United States Design Patent**
Carden

(10) **Patent No.:** **US D704,495 S**

(45) **Date of Patent:** **** May 13, 2014**

(54) **KITCHEN APPLIANCE RECEPTACLE**

(71) Applicant: **MLC Corporation Pty Ltd**, North Ringwood (AU)

(72) Inventor: **Michelle Lisbeth Carden**, Leederville (AU)

(73) Assignee: **MLC Corporation Pty Ltd**, North Ringwood (AU)

(**) Term: **14 Years**

(21) Appl. No.: **29/451,167**

(22) Filed: **Mar. 28, 2013**

(51) **LOC (10) Cl.** **07-01**

(52) **U.S. Cl.**
USPC **D7/309**; D7/310; D7/311

(58) **Field of Classification Search**
USPC D7/306–308, 311, 313, 301, 300, 305,
D7/304, 309, 310; 220/720, 281, 714;
222/146.6, 146.1, 129.1, 185.1;
D9/636, 638; D25/6; 239/17; 219/438;
D20/5, 4; D23/207; 99/295, 279, 281,
99/289 R, 289, 307; D15/80, 82
See application file for complete search history.

(56) **References Cited**

U.S. PATENT DOCUMENTS

D288,398 S * 2/1987 Rossio et al. D7/309
D513,681 S * 1/2006 Picozza et al. D7/309
7,165,488 B2 * 1/2007 Bragg et al. 99/295
D561,515 S * 2/2008 De Pra' D7/309
D562,050 S * 2/2008 Alferink D7/306

7,513,192 B2 * 4/2009 Sullivan et al. 99/289 R
D623,463 S * 9/2010 Struzka et al. D7/309
8,091,470 B2 * 1/2012 De'Longhi 99/307
D666,050 S * 8/2012 Cionfoli D7/309
D681,386 S * 5/2013 Pininfarina D7/306
D690,548 S * 10/2013 Andreesen D7/310

* cited by examiner

Primary Examiner — Marianne Pandozzi

(74) *Attorney, Agent, or Firm* — K&L Gates LLP

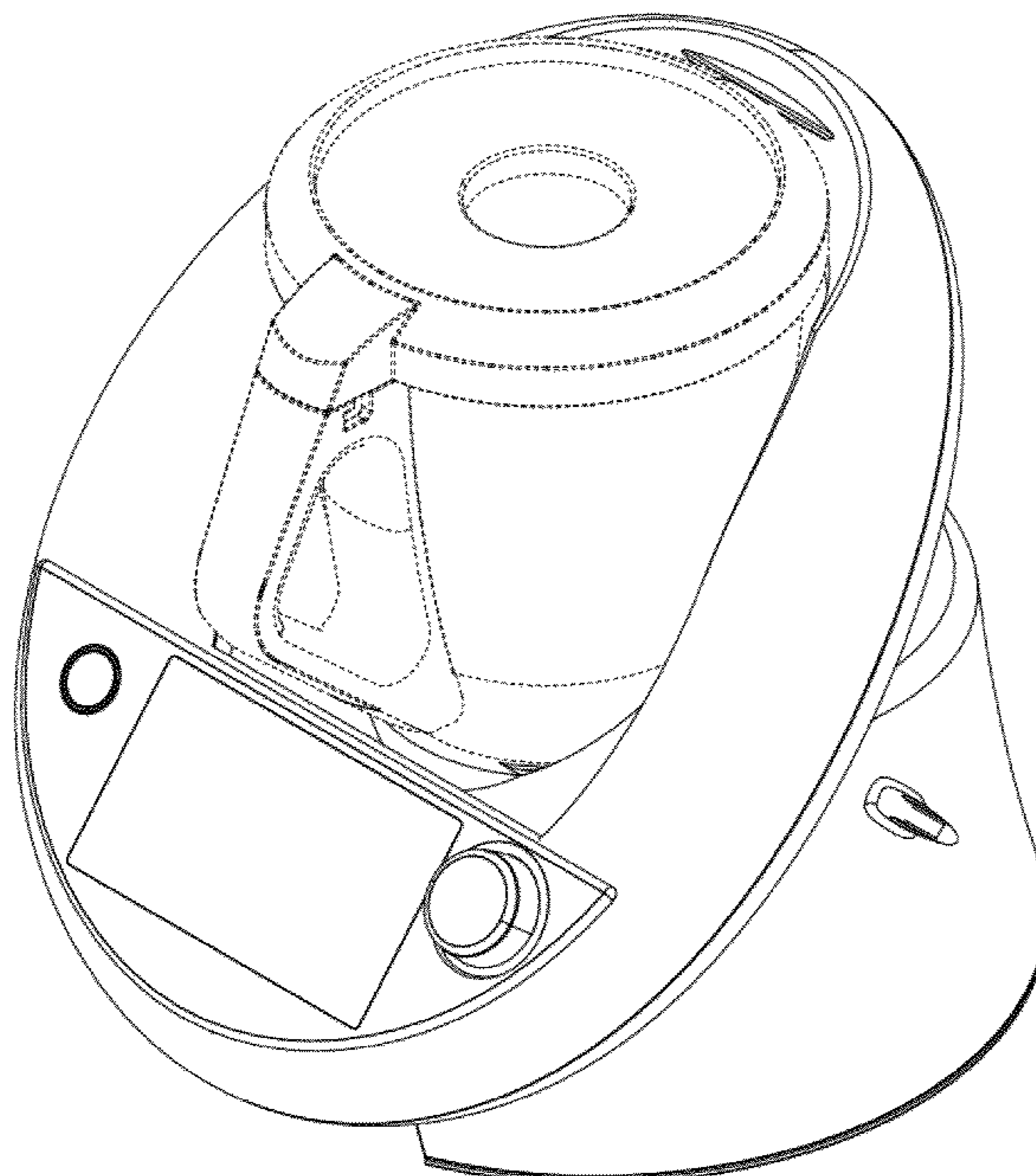
(57) **CLAIM**

The ornamental design for a kitchen appliance receptacle, as shown and described.

DESCRIPTION

FIG. 1 is a front view of a kitchen appliance receptacle.
FIG. 2 is a left side view thereof
FIG. 3 is a right side view thereof.
FIG. 4 is a rear view thereof
FIG. 5 is a rear perspective view thereof.
FIG. 6 is a front perspective view thereof.
FIG. 7 is a bottom view thereof
FIG. 8 is a top plan view thereof;
FIG. 9 is an in use front perspective view thereof; and,
FIG. 10 is an in use rear perspective thereof.
The characteristic feature of the design resides in the shape and configuration of the annulus of the receptacle. The vessel shown in phantom lines in FIGS. 9 and 10 illustrates one possible vessel for use with the receptacle but forms no part of the claimed design.
The broken lines in the drawings are included for the purpose of illustration and form no part of the claimed design.

1 Claim, 10 Drawing Sheets



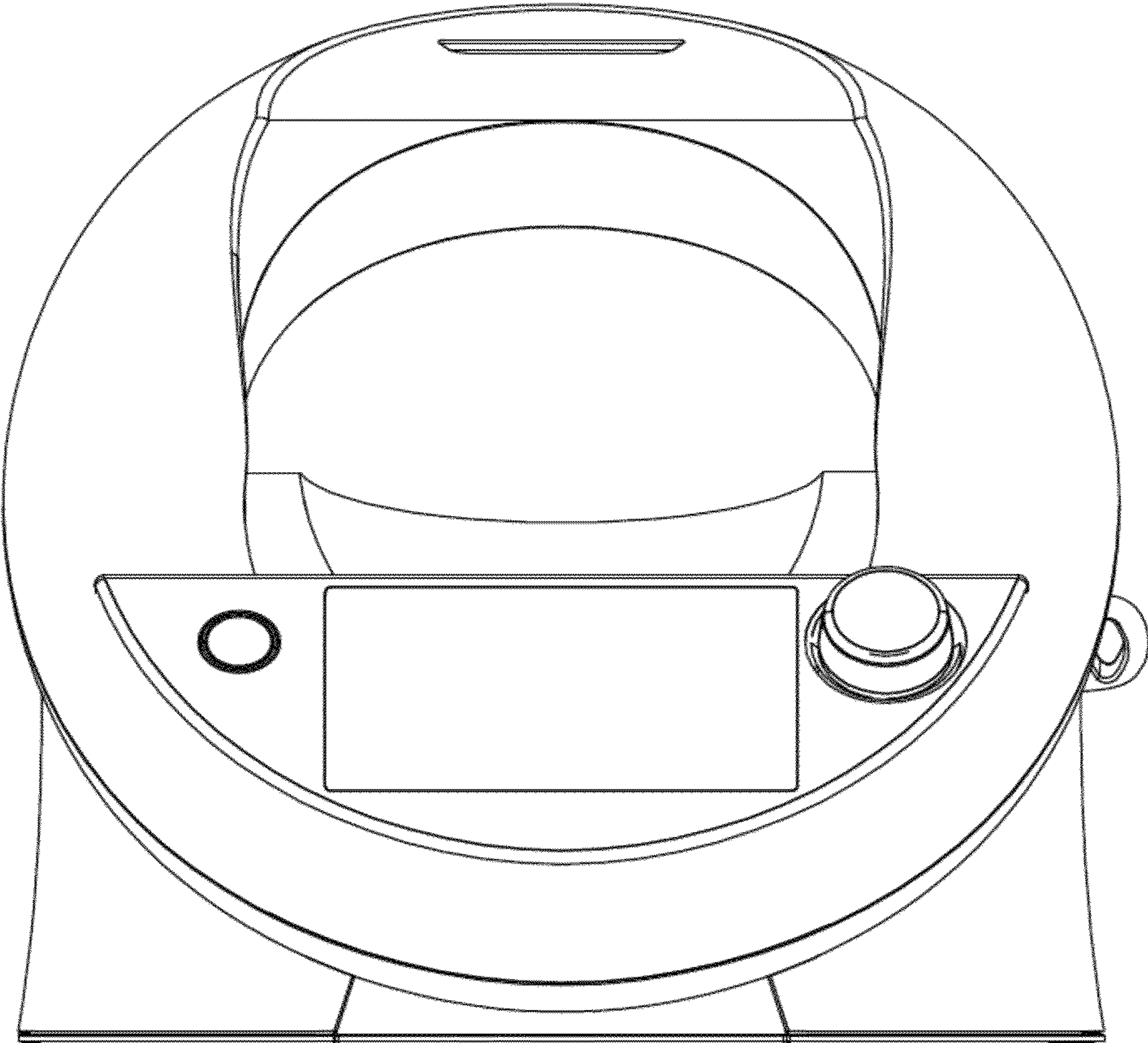


FIGURE 1

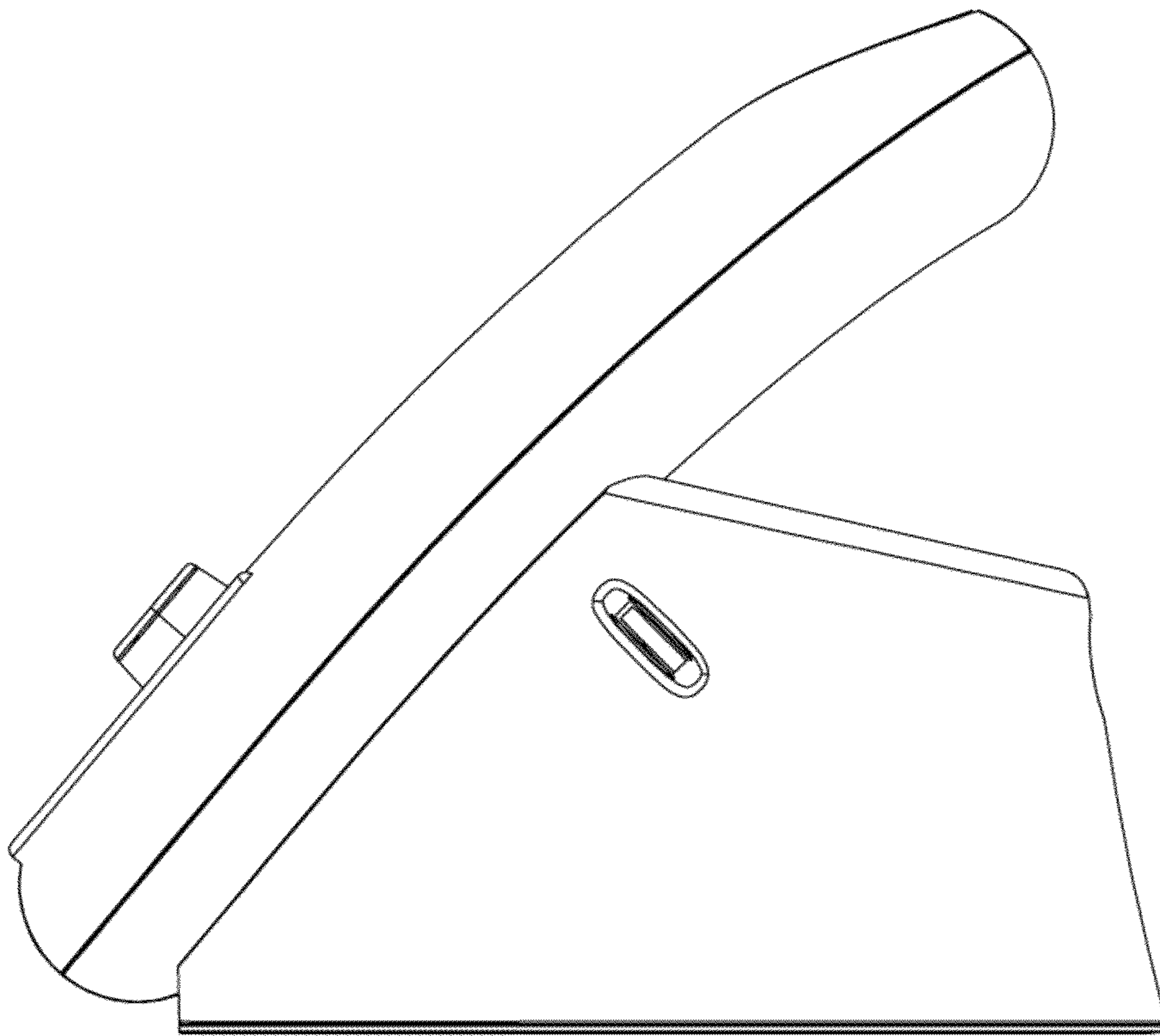


FIGURE 2

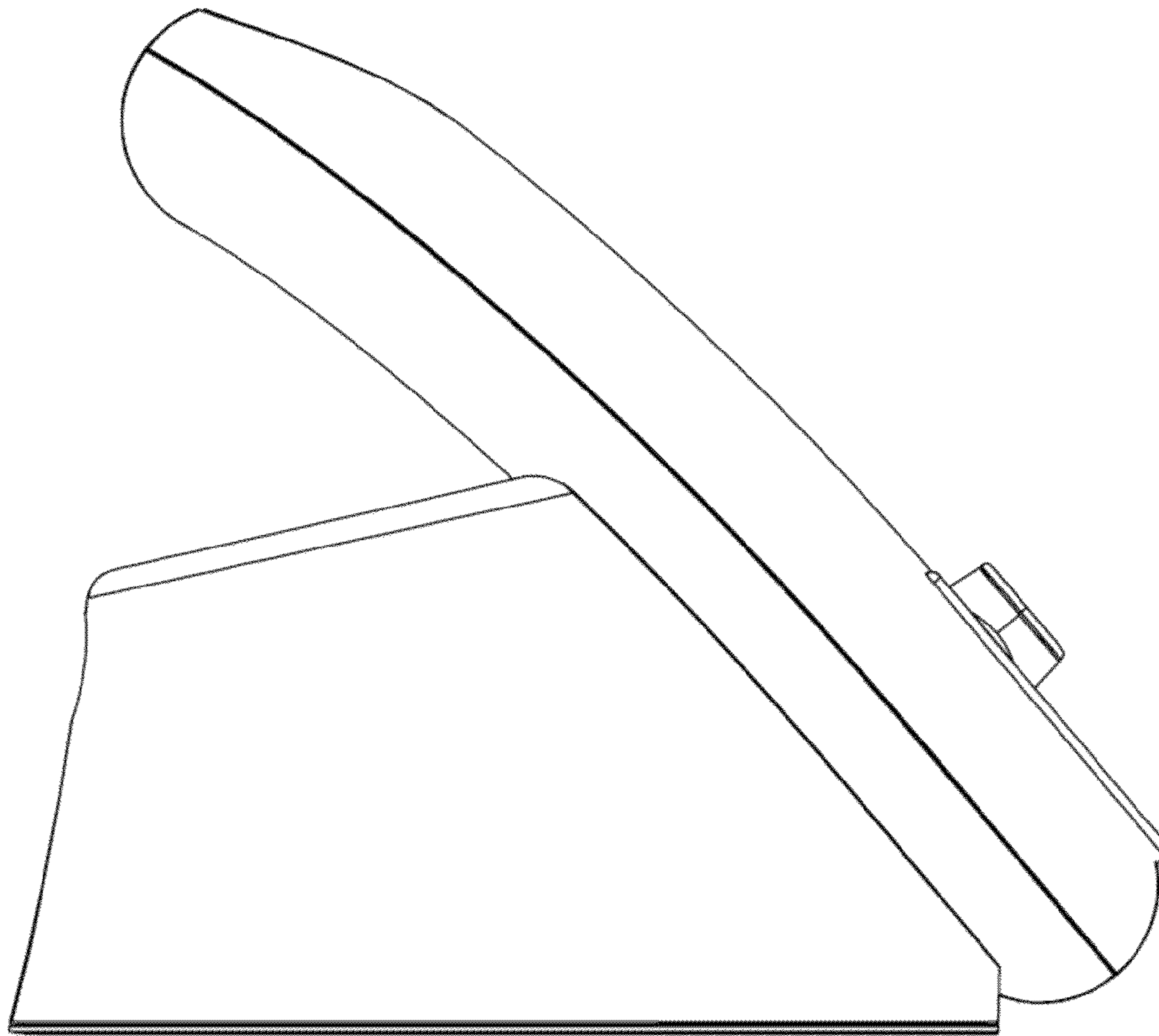


FIGURE 3

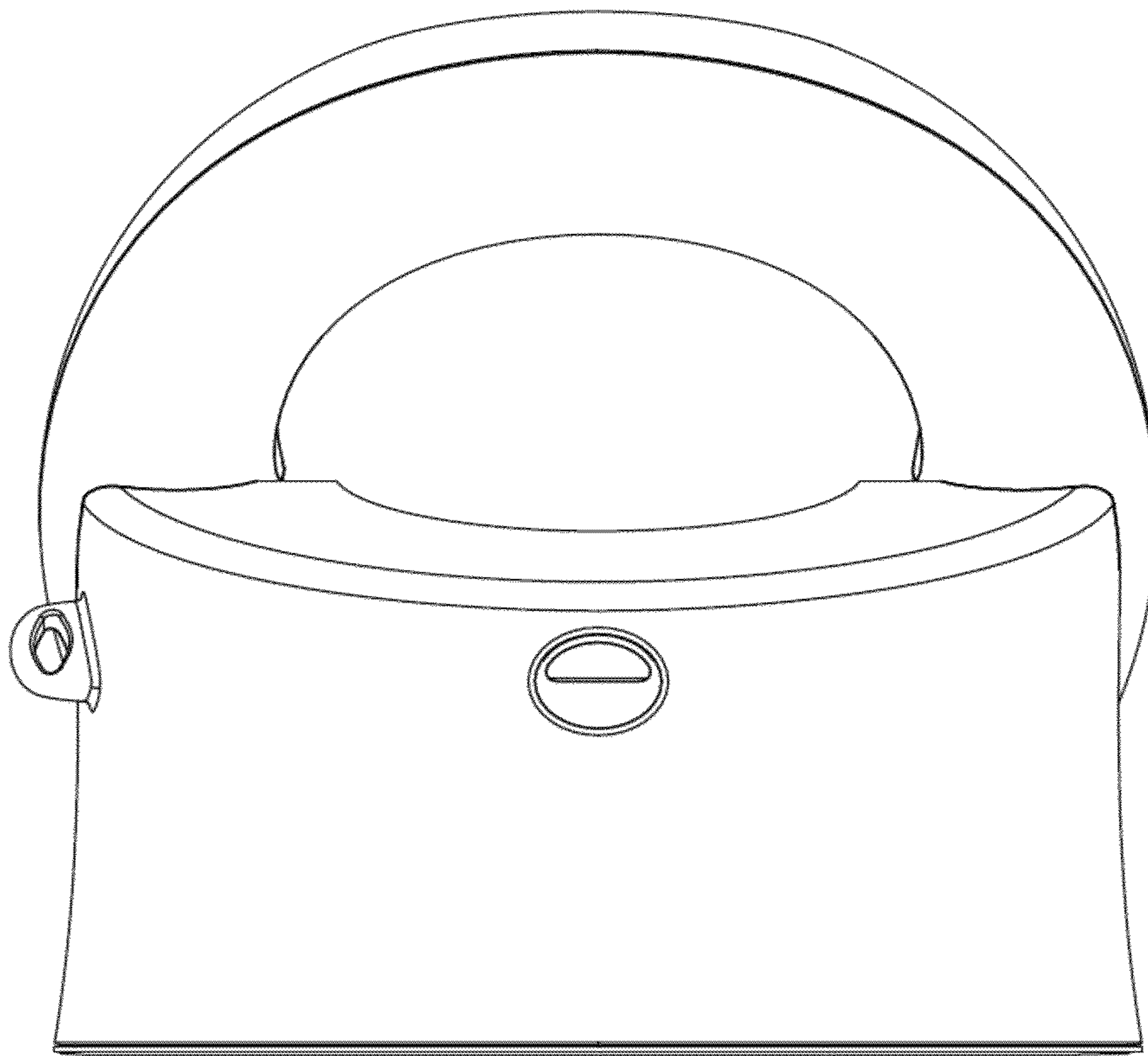


FIGURE 4

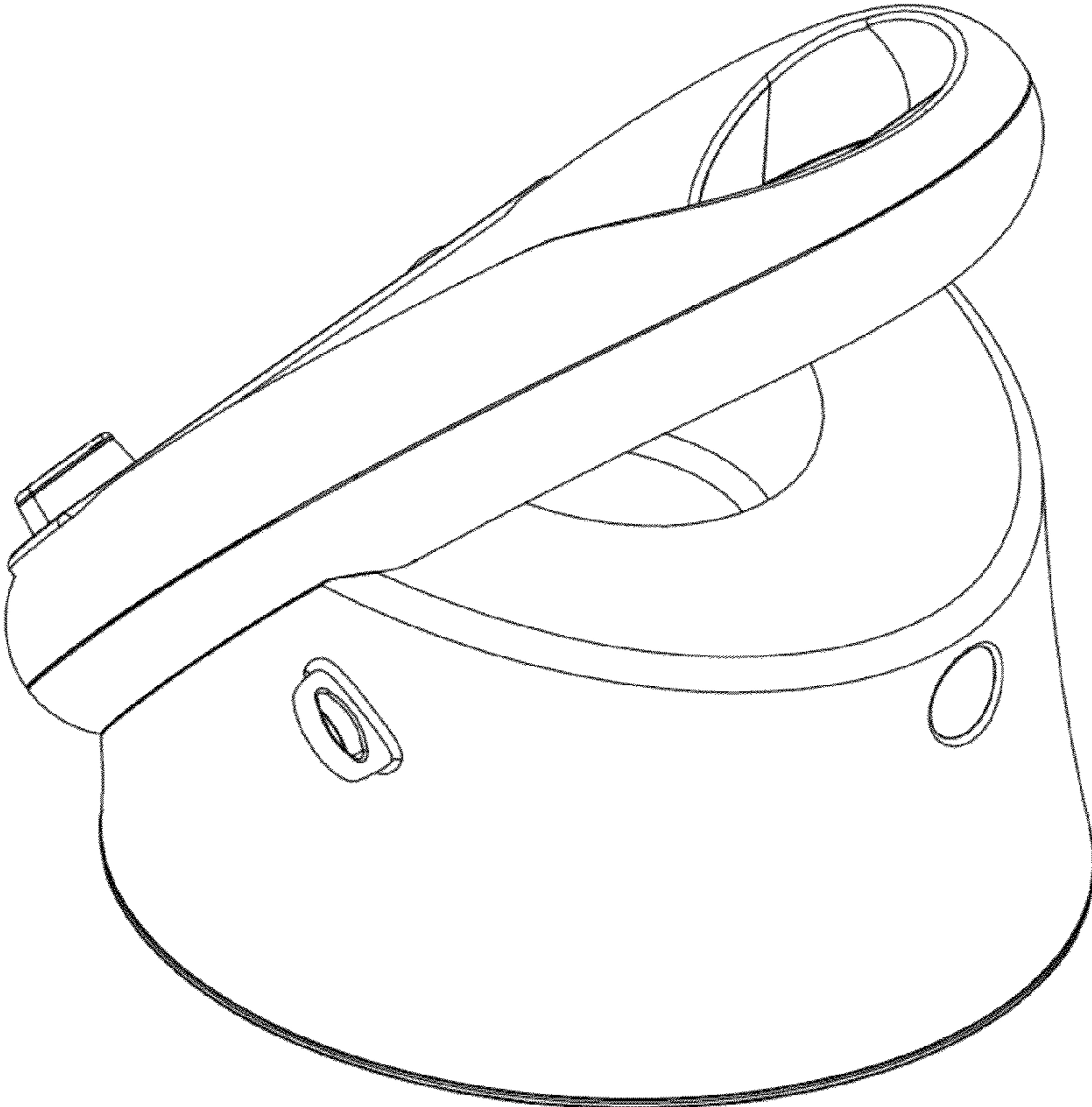


FIGURE 5

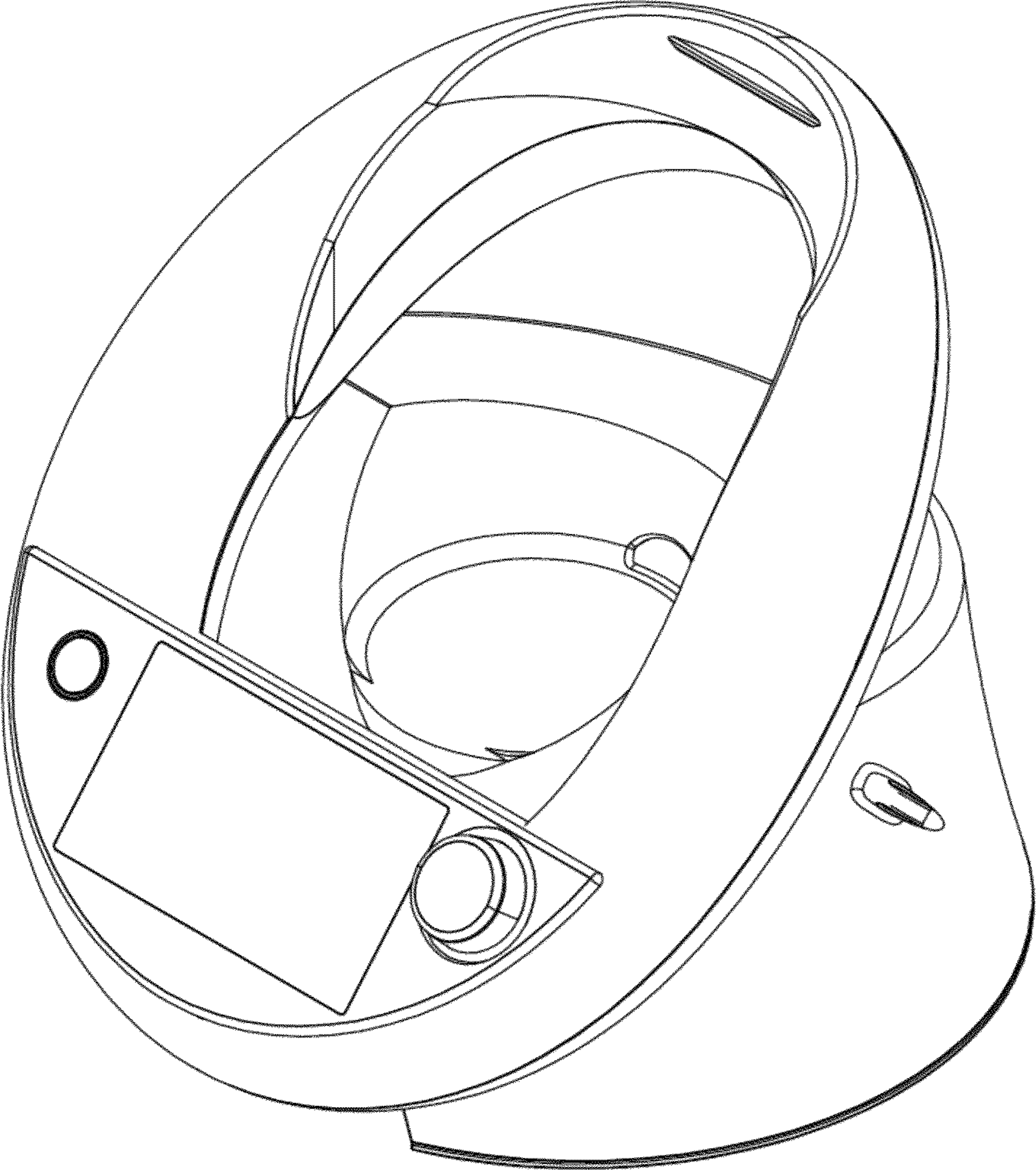


FIGURE 6

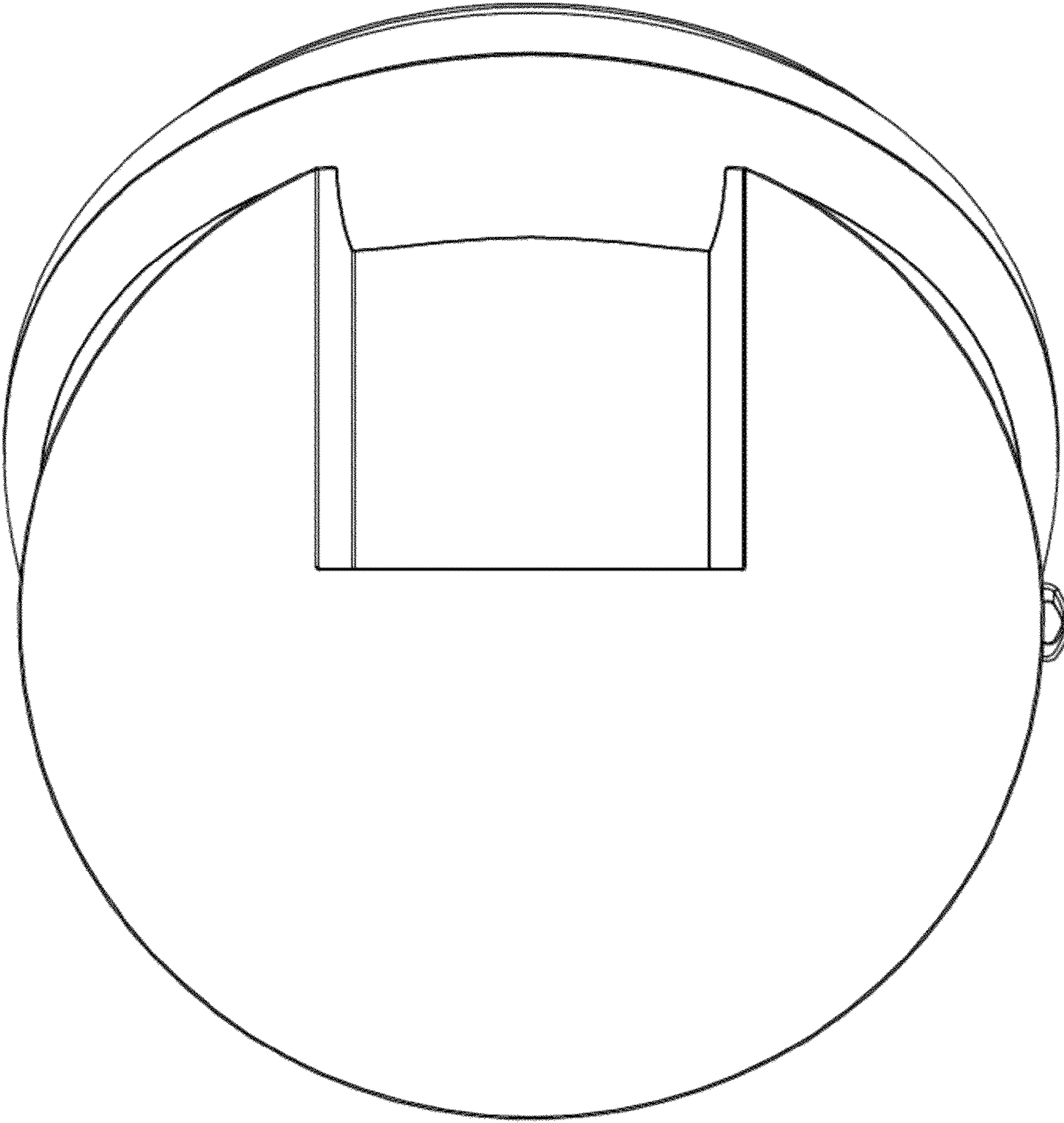


FIGURE 7

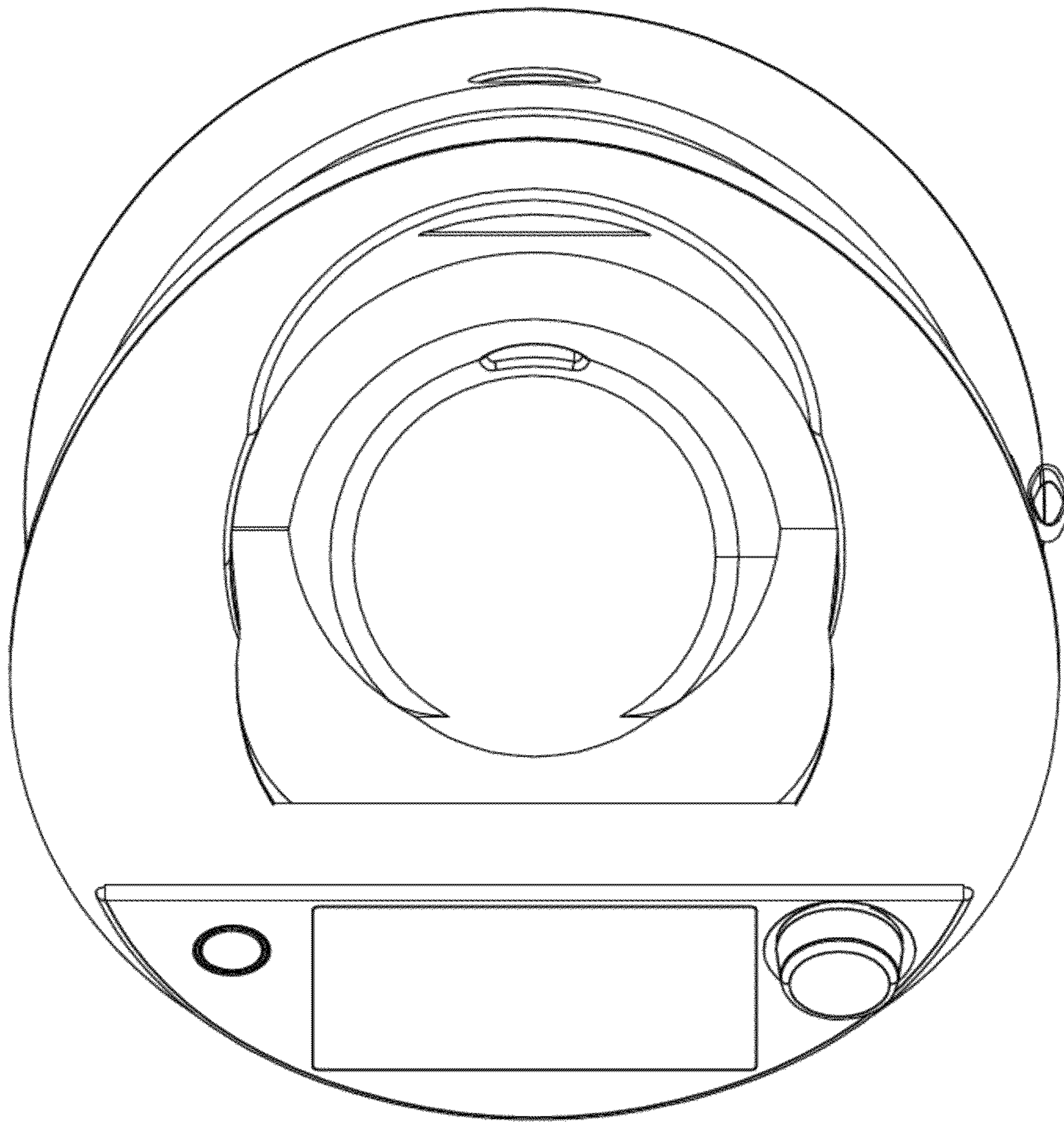


FIGURE 8

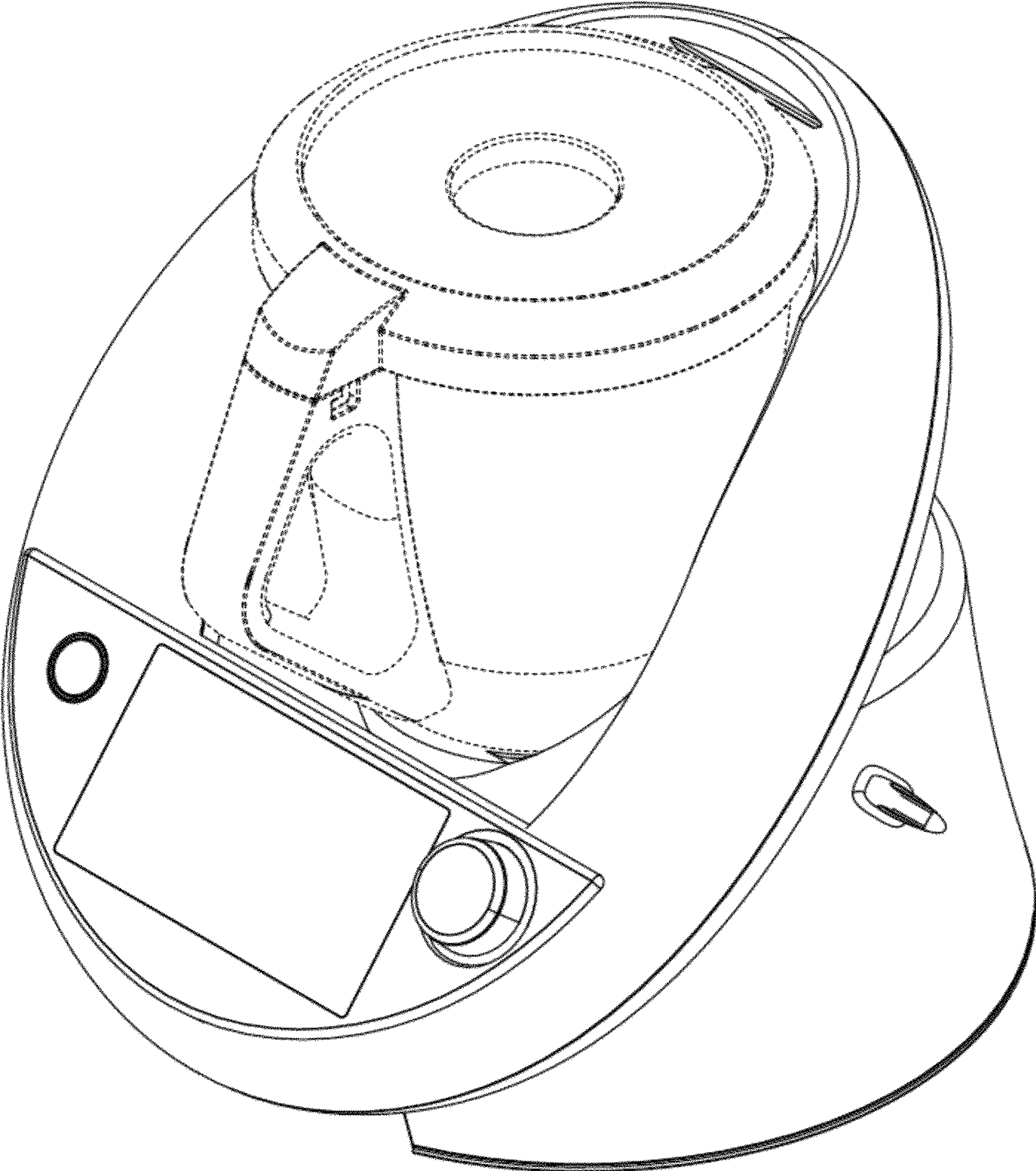


FIGURE 9

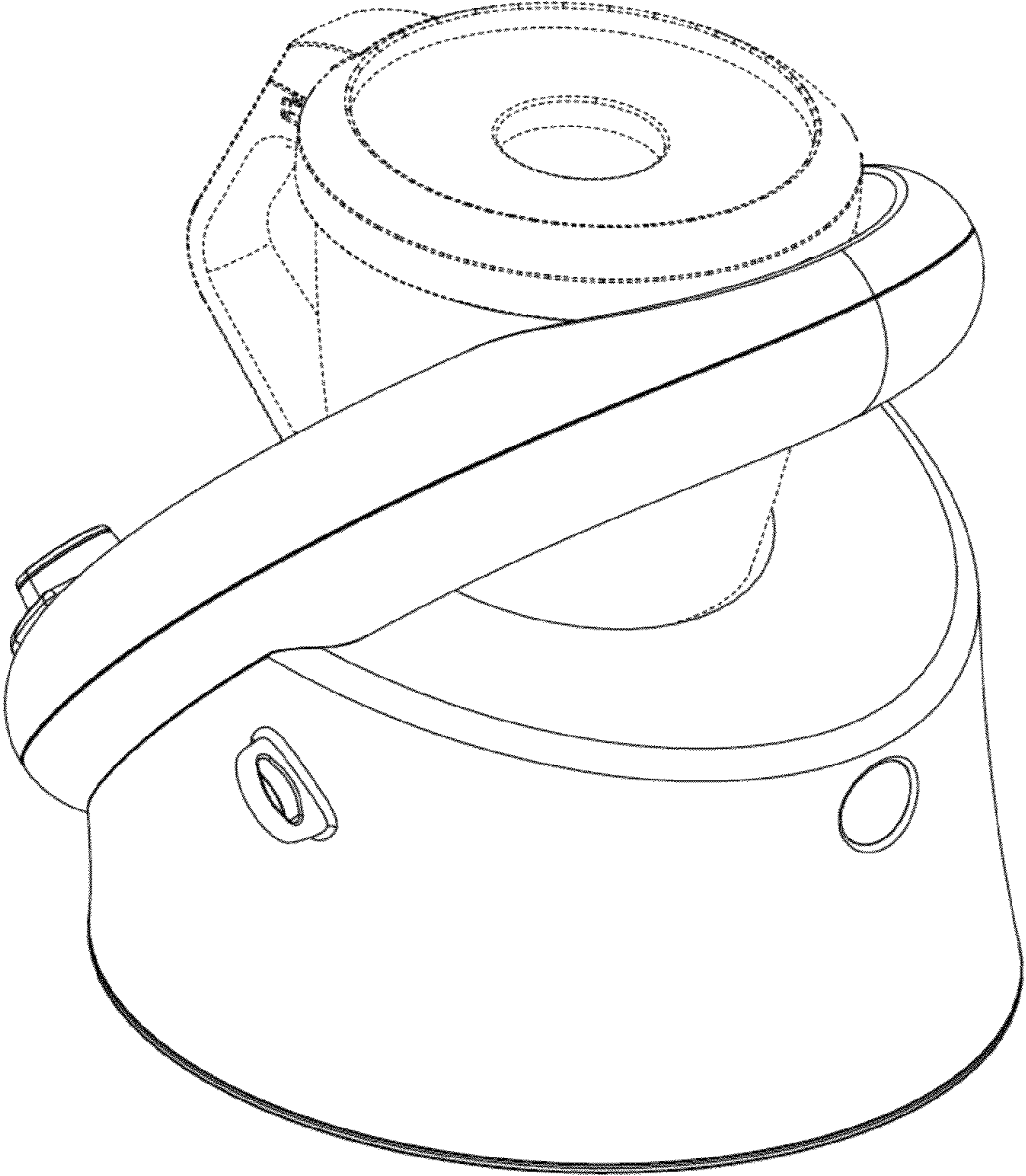


FIGURE 10