



US00D704494S

(12) **United States Design Patent**
Blanc

(10) **Patent No.:** **US D704,494 S**

(45) **Date of Patent:** **** May 13, 2014**

(54) **BEVERAGE BREWING DEVICE**

(71) Applicant: **Conopco, Inc., d/b/a Unilever,**
Englewood Cliffs, NJ (US)

(72) Inventor: **Jean Sébastien Blanc,** Paris (FR)

(73) Assignee: **Conopco, Inc.,** Englewood Cliffs, NJ
(US)

(**) Term: **14 Years**

(21) Appl. No.: **29/440,100**

(22) Filed: **Dec. 19, 2012**

(30) **Foreign Application Priority Data**

Jul. 6, 2012 (EM) 002069815-0001
Jul. 6, 2012 (EM) 002069815-0002

(51) **LOC (10) Cl.** **07-01**

(52) **U.S. Cl.**
USPC **D7/309; D7/306**

(58) **Field of Classification Search**
USPC D7/306, 309-311, 300, 313, 301, 307,
D7/308, 305, 589; 99/323.2, 284, 279,
99/302, 294, 290, 295; 222/146.6, 185.1
See application file for complete search history.

(56) **References Cited**

U.S. PATENT DOCUMENTS

D495,189 S * 8/2004 Cahen D7/309
D540,608 S * 4/2007 Cahen D7/309

D602,303 S * 10/2009 Cahen D7/309
D630,880 S * 1/2011 Zimmermann D7/309
D649,392 S * 11/2011 Cahen D7/307
D666,451 S * 9/2012 Cheng D7/309
D672,188 S * 12/2012 Luippold et al. D7/306
D681,386 S * 5/2013 Pininfarina D7/306

* cited by examiner

Primary Examiner — Marianne Pandozzi

(74) *Attorney, Agent, or Firm* — Ellen Plotkin

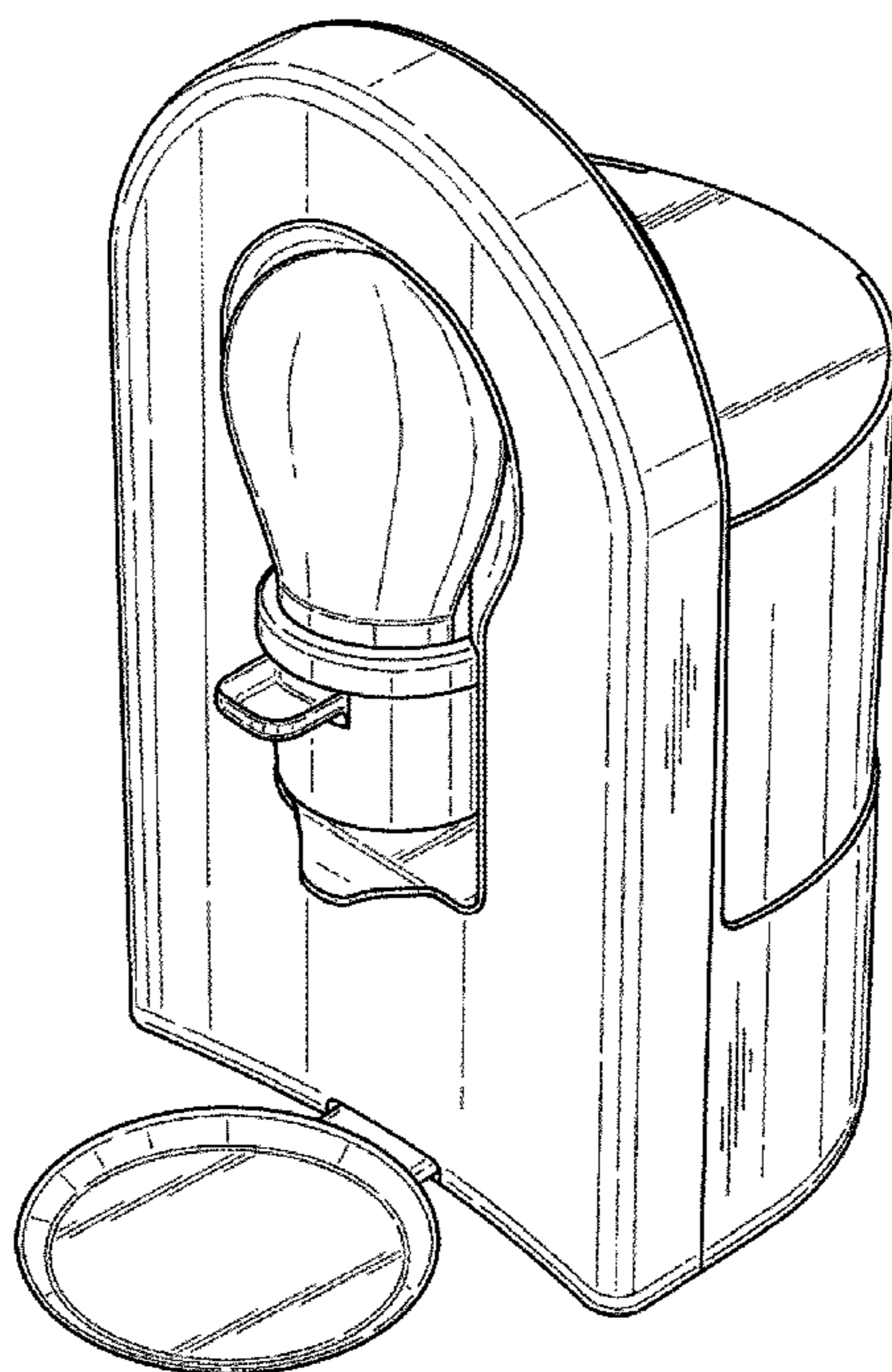
(57) **CLAIM**

The ornamental design for a beverage brewing device, as shown and described.

DESCRIPTION

FIG. 1 is a perspective view of a beverage brewing device showing my new design;
FIG. 2 is a front view thereof;
FIG. 3 is a back view thereof;
FIG. 4 is a left side plan view thereof;
FIG. 5 is a right side plan view thereof;
FIG. 6 is a bottom plan view thereof; and,
FIG. 7 is a top plan view thereof.
The broken lines are directed to environment and are for illustrative purposes only.
The broken lines form no part of the claimed design.

1 Claim, 7 Drawing Sheets



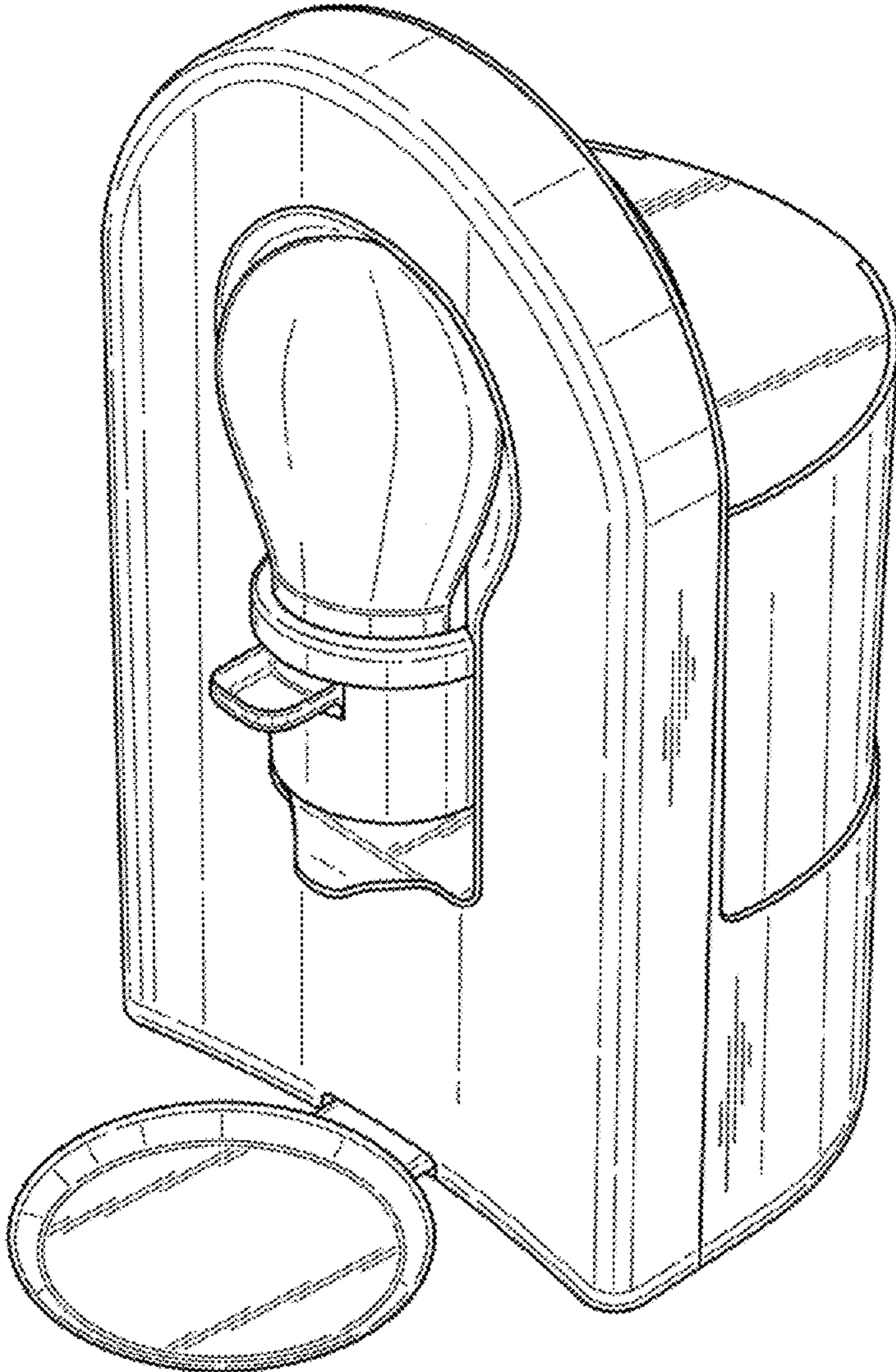


Fig. 1

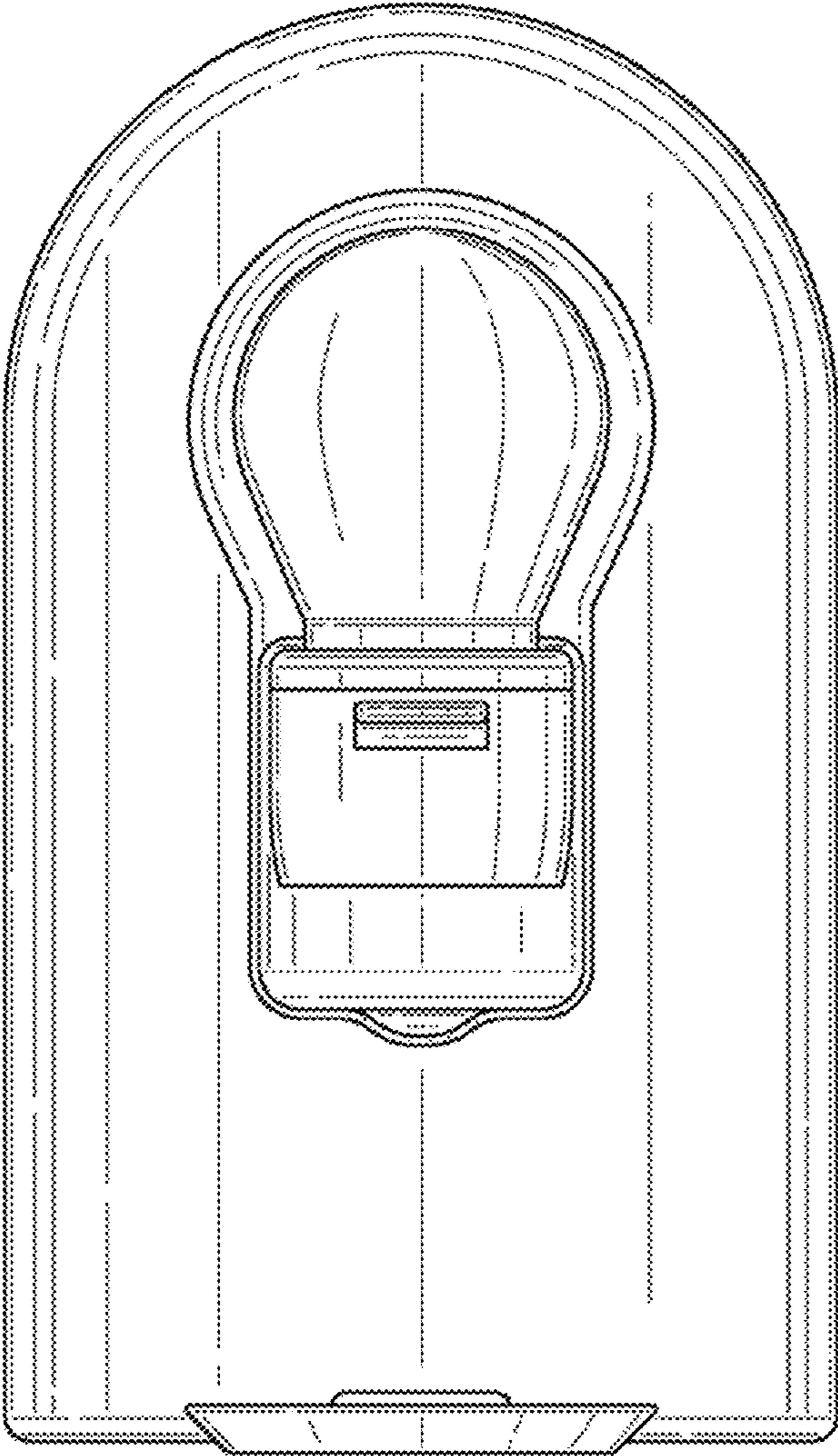


Fig. 2

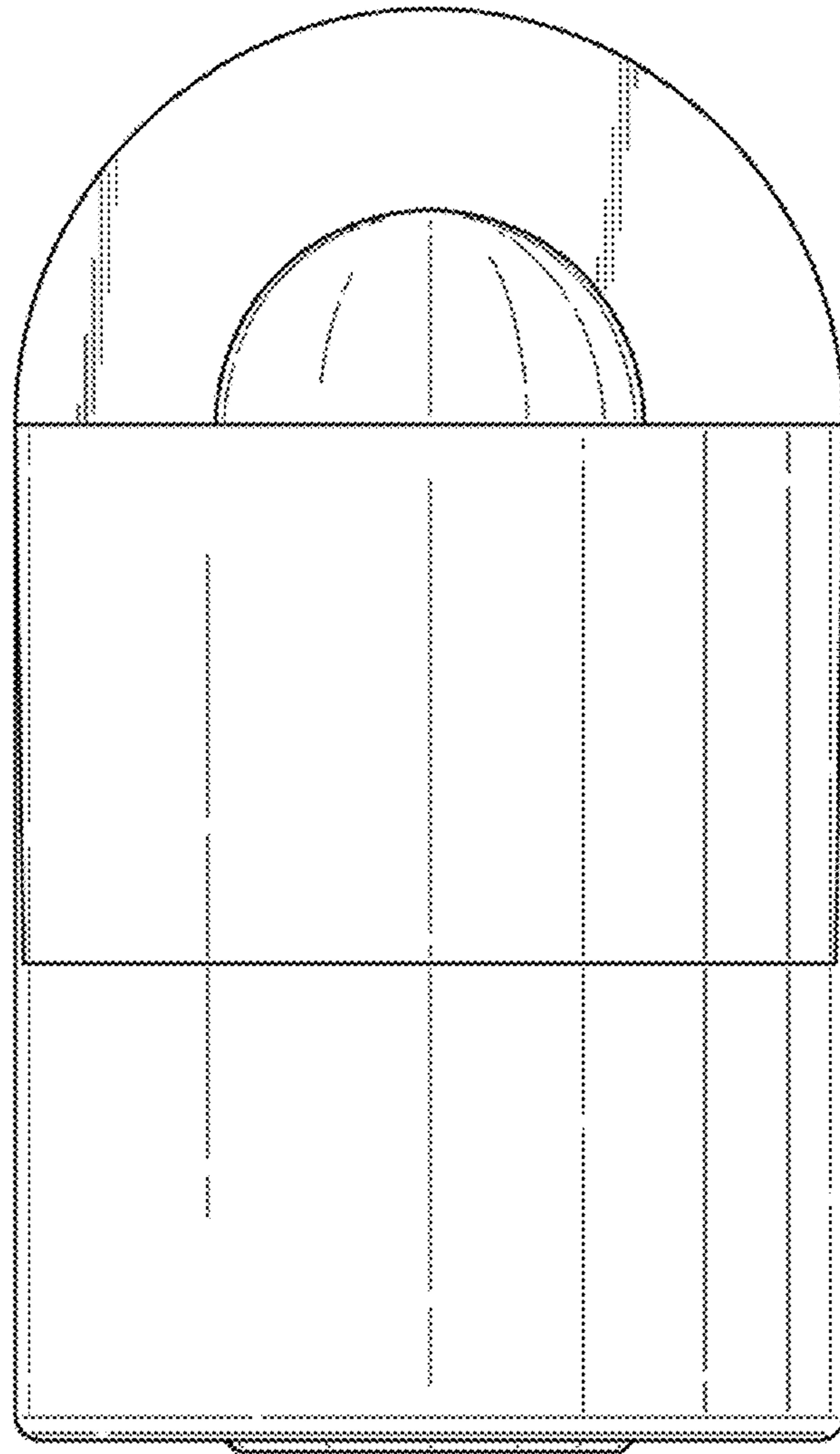


Fig. 3

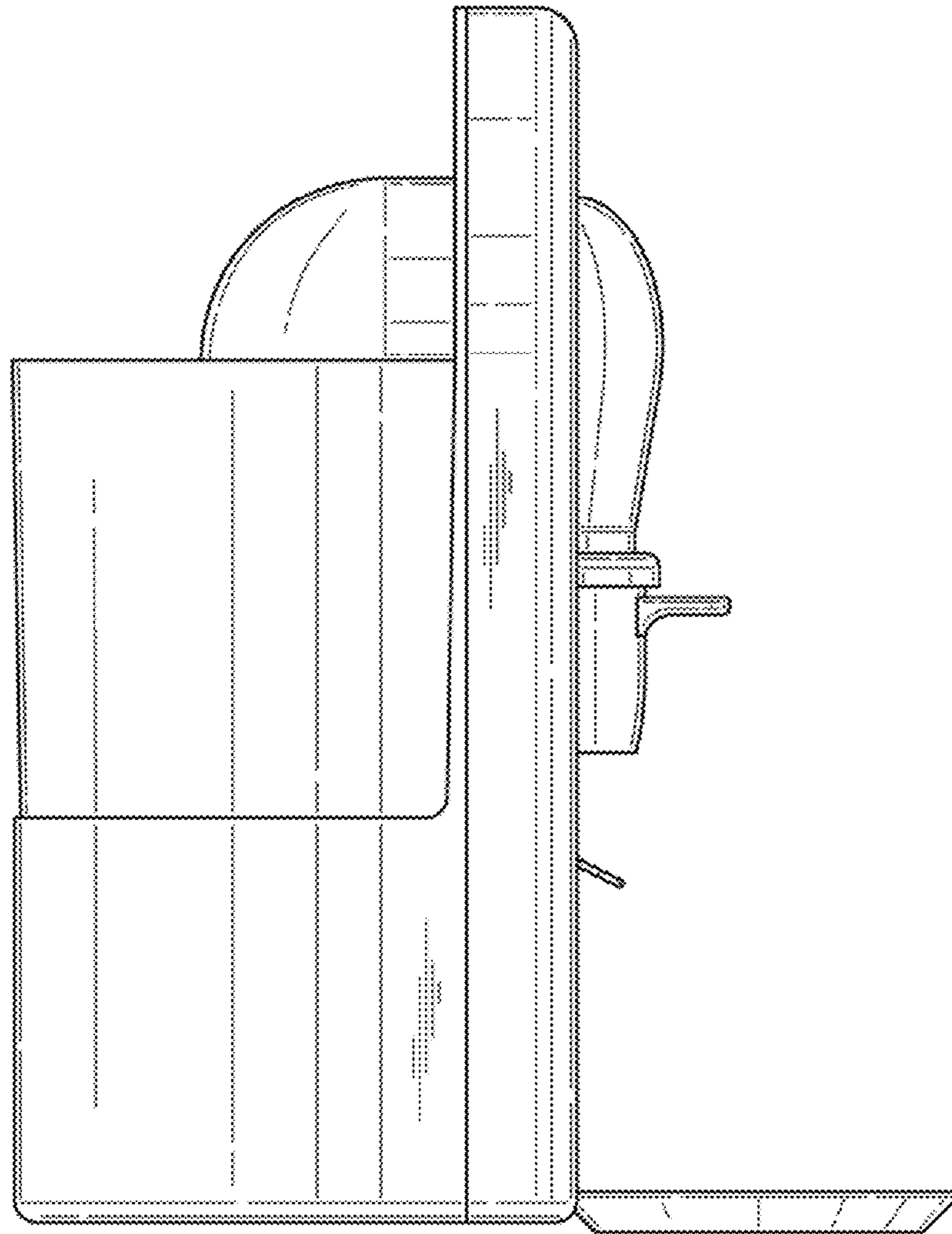


Fig. 4

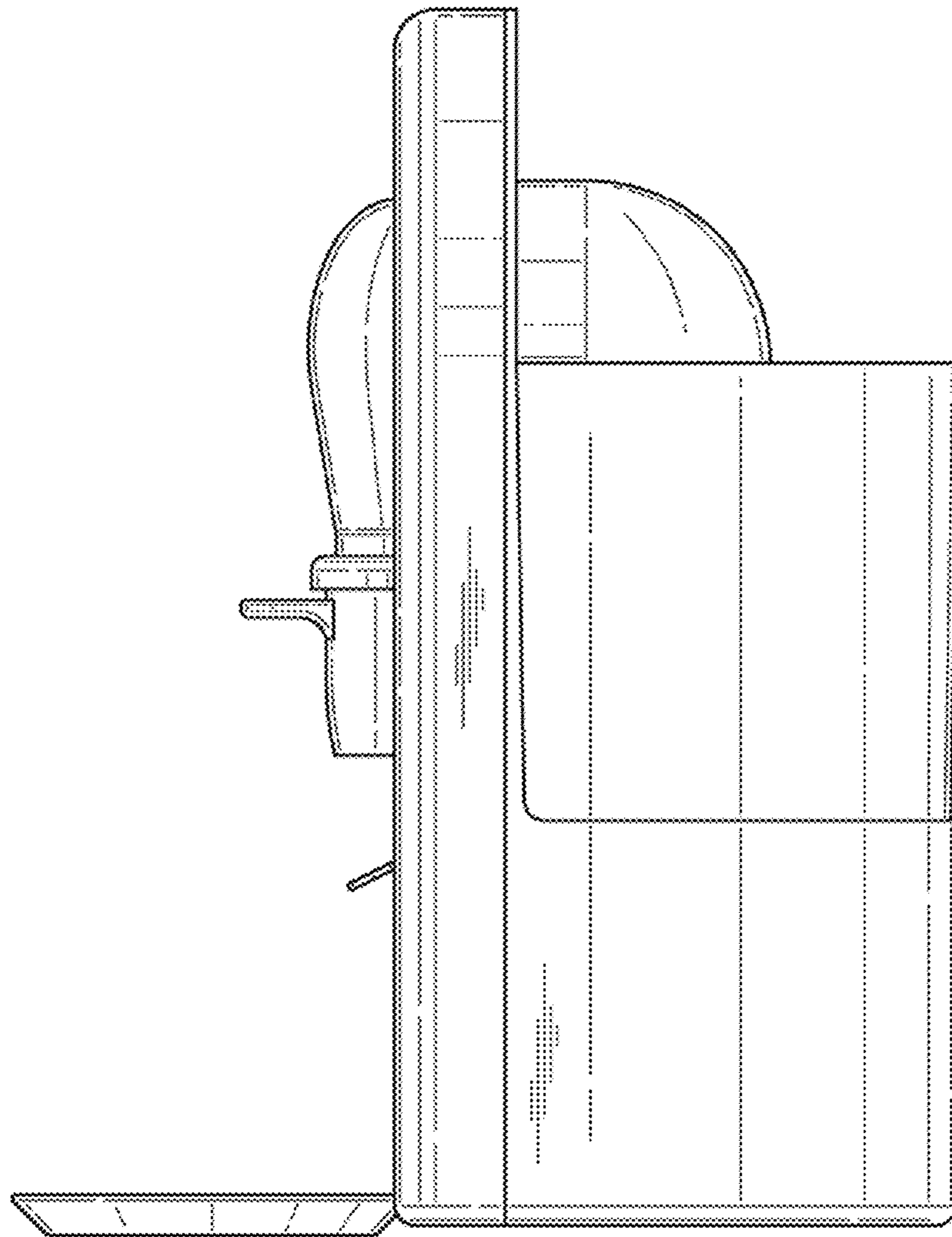


Fig. 5

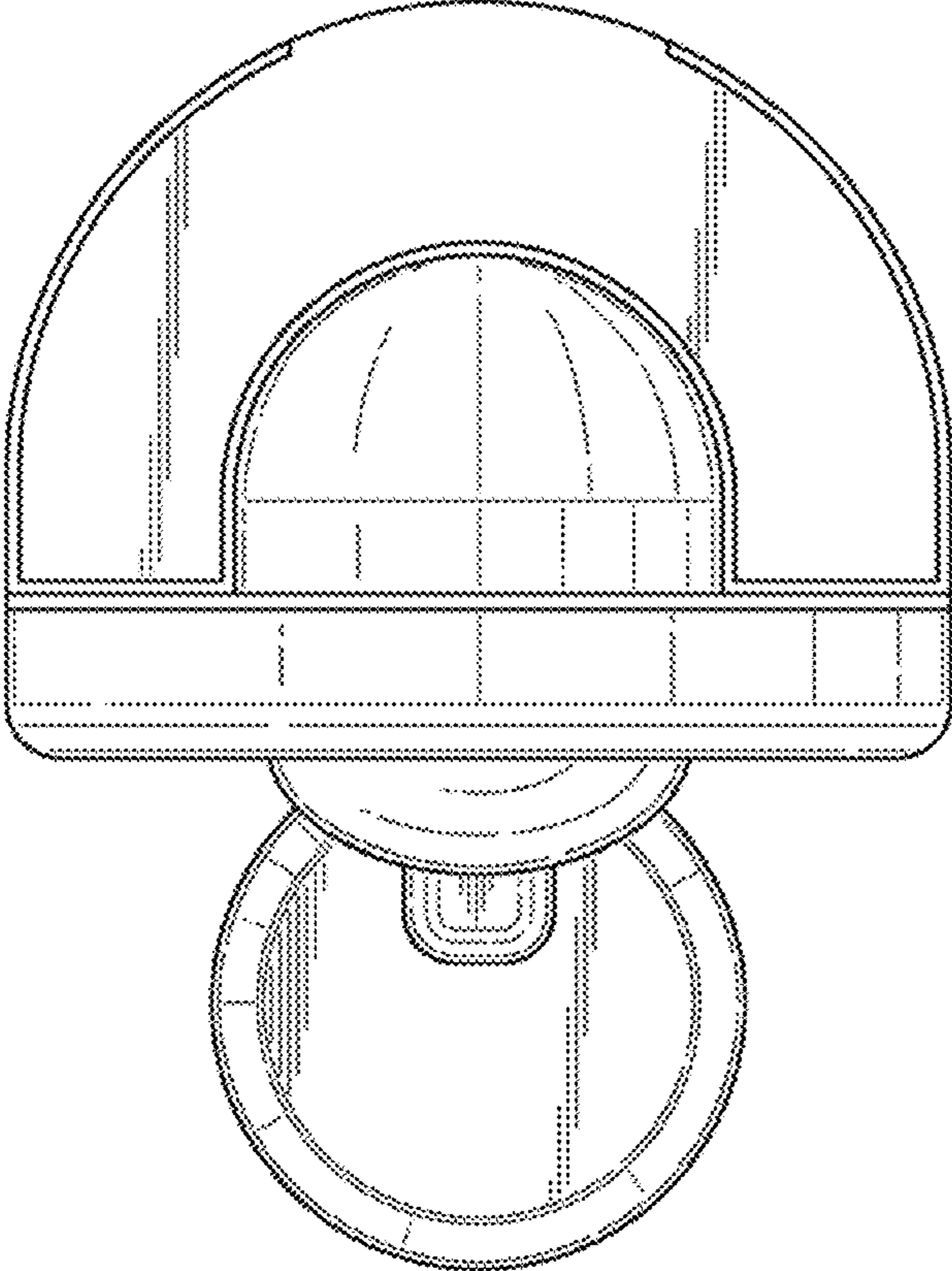


Fig. 6

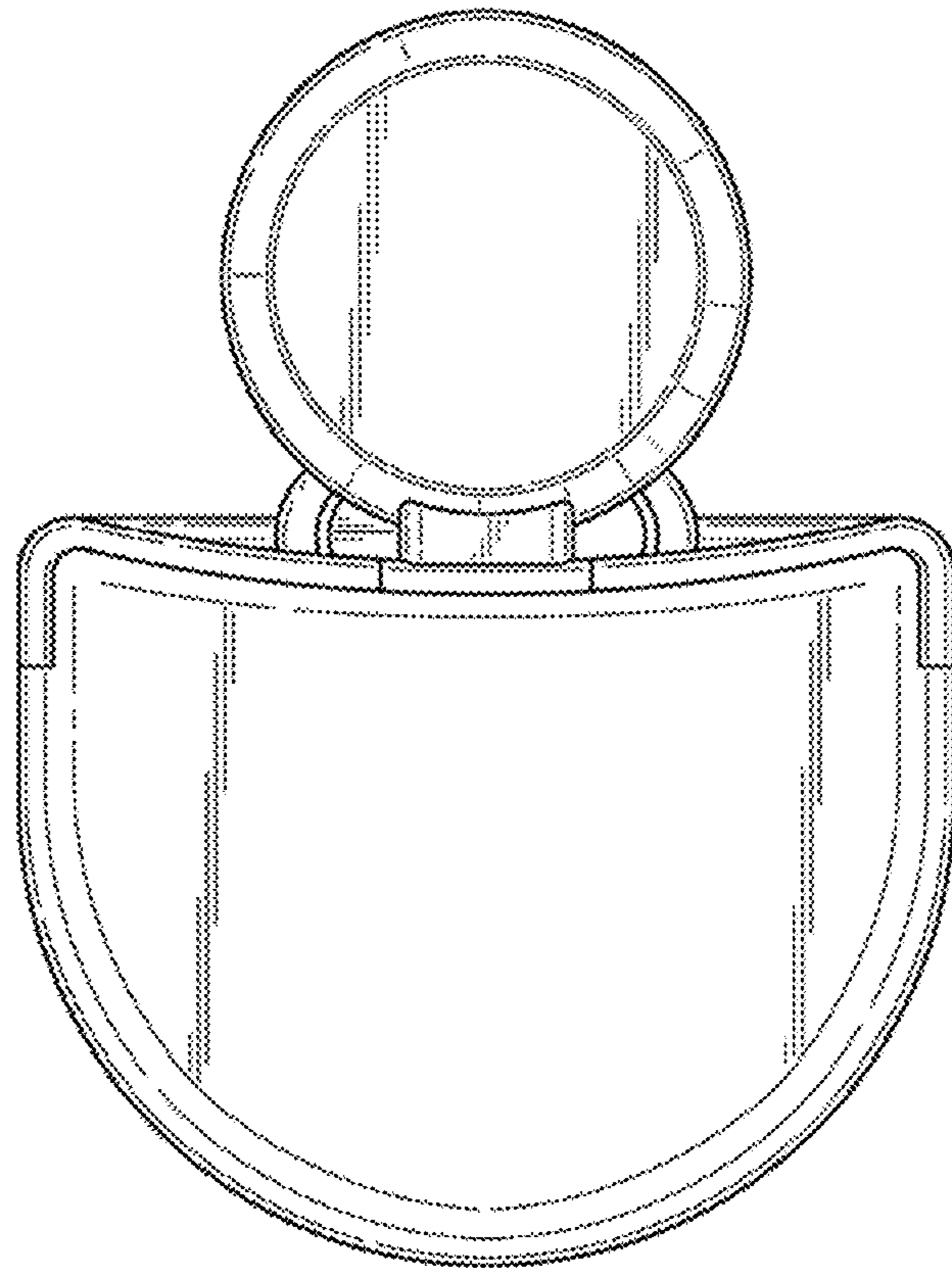


Fig. 7