



US00D704493S

(12) **United States Design Patent**
Tollefson et al.

(10) **Patent No.:** **US D704,493 S**

(45) **Date of Patent:** **** May 13, 2014**

- (54) **DISPENSING ASSEMBLY**
- (71) Applicant: **Tikiz Franchising, LLC**, Boca Raton, FL (US)
- (72) Inventors: **Brian J. Tollefson**, Boca Raton, FL (US); **David S. Tollefson**, Boca Raton, FL (US)
- (73) Assignee: **Tikiz Franchising, LLC**, Boca Raton, FL (US)
- (**) Term: **14 Years**
- (21) Appl. No.: **29/459,601**
- (22) Filed: **Jul. 2, 2013**

D333,405 S *	2/1993	Moyer et al.	D7/308
5,307,957 A	5/1994	Carlsson et al.		
5,564,597 A	10/1996	Koorse et al.		
D411,935 S *	7/1999	Roundtree	D7/307
6,189,944 B1	2/2001	Piche		
D487,215 S *	3/2004	Watkins	D7/397
7,044,335 B2	5/2006	Aguirre et al.		
D585,228 S *	1/2009	Sommerfield	D7/307
D624,779 S *	10/2010	Meldrum et al.	D7/307
8,157,136 B2	4/2012	Lamb et al.		

* cited by examiner

Primary Examiner — Marianne Pandozzi

(74) *Attorney, Agent, or Firm* — Sand & Sebolt

Related U.S. Application Data

- (63) Continuation-in-part of application No. 13/559,664, filed on Jul. 27, 2012.
- (51) **LOC (10) Cl.** **07-01**
- (52) **U.S. Cl.**
USPC **D7/307; D7/308; D7/311**
- (58) **Field of Classification Search**
USPC D7/306–308, 311, 313, 301, 300, 305, D7/304, 309, 310, 397; 220/720, 281, 714; 222/146.6, 146.1, 129.1, 185.1, 608; D9/636, 638; D25/6; 239/17; 219/438; D20/5, 4; D23/207; 99/295, 279, 281, 99/289 R, 289, 307; D15/80, 82
See application file for complete search history.

References Cited

U.S. PATENT DOCUMENTS

2,733,094 A	1/1956	Carlton
2,982,578 A	5/1961	Lowe
3,191,400 A	6/1965	Swenson
3,476,295 A	11/1969	Telfer
4,076,349 A	2/1978	Gettleman et al.
4,225,059 A	9/1980	Kappos
4,359,073 A	11/1982	de Stoutz
4,456,149 A	6/1984	Sciortino
5,154,317 A	10/1992	Roppolo, III

(57) **CLAIM**

The ornamental design for a dispensing assembly, as shown and described.

DESCRIPTION

FIG. 1 is a perspective view of a first embodiment of the dispensing assembly as viewed from the front, from above and from the right.

FIG. 2 is a perspective view of the first embodiment as viewed from the front, from above and from the left.

FIG. 3 is a perspective view of the first embodiment as viewed from the front, from below and from the left.

FIG. 4 is a perspective view of the first embodiment as viewed from the front, from below and from the right.

FIG. 5 is a front elevation view of the first embodiment.

FIG. 6 is a rear elevation view of the first embodiment.

FIG. 7 is a right side elevation view of the first embodiment.

FIG. 8 is a left side elevation view of the first embodiment.

FIG. 9 is a top plan view of the first embodiment.

FIG. 10 is a bottom plan view of the first embodiment.

FIG. 11 is a perspective view of a second embodiment of the dispensing assembly as viewed from the front, from above and from the right.

FIG. 12 is a perspective view of the second embodiment as viewed from the front, from above and from the left.

FIG. 13 is a perspective view of the second embodiment as viewed from the front, from below and from the left.

FIG. 14 is a perspective view of the second embodiment as viewed from the front, from below and from the right.

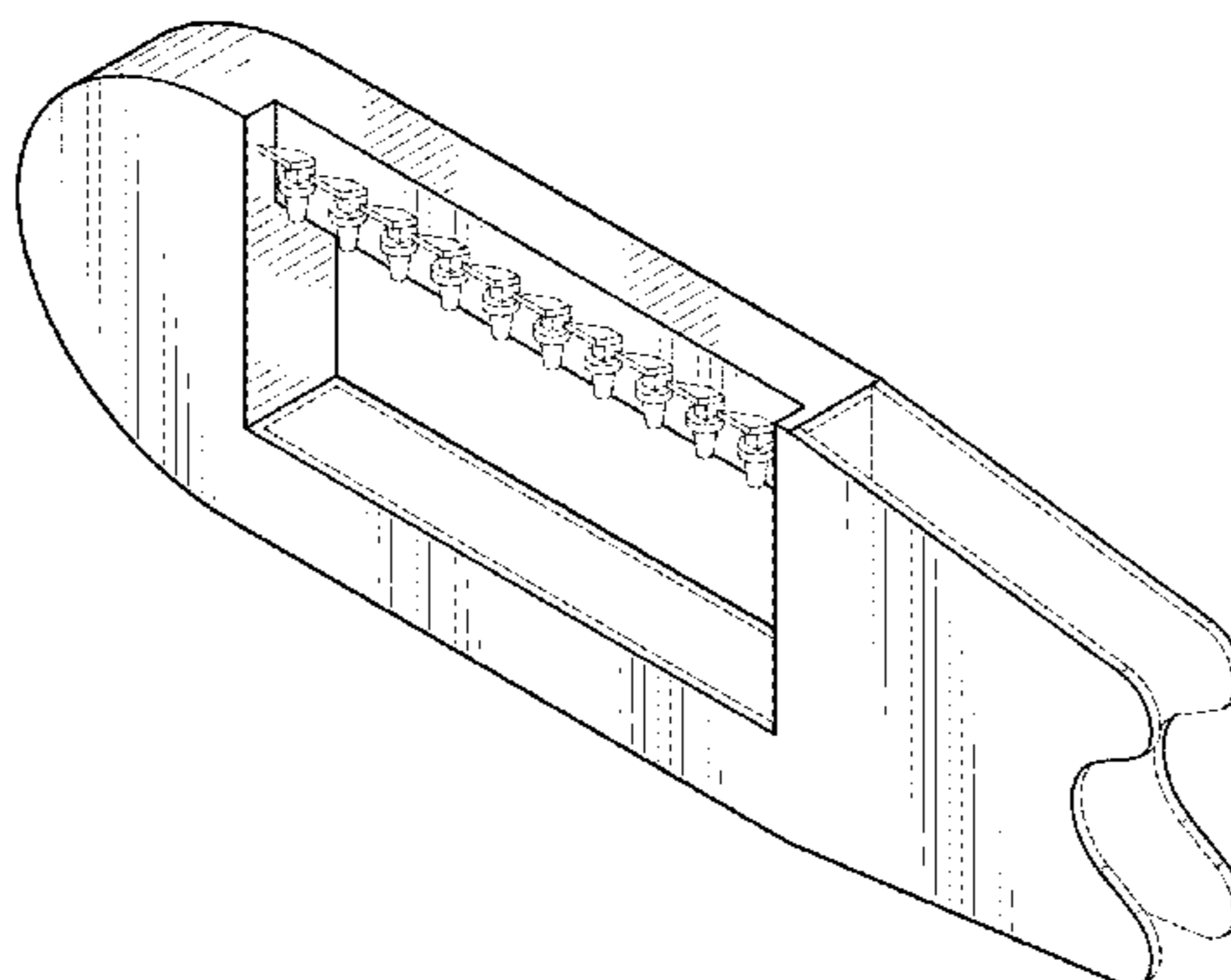


FIG. 15 is a front elevation view of the second embodiment.
FIG. 16 is a rear elevation view of the second embodiment.
FIG. 17 is a right side elevation view of the second embodiment.
FIG. 18 is a left side elevation view of the second embodiment.
FIG. 19 is a top plan view of the second embodiment.
FIG. 20 is a bottom plan view of the second embodiment.
FIG. 21 is a perspective view of a third embodiment of the dispensing assembly as viewed from the front, from above and from the left.
FIG. 22 is a perspective view of the third embodiment as viewed from the front, from above and from the right.
FIG. 23 is a perspective view of the third embodiment as viewed from the front, from below and from the right.
FIG. 24 is a perspective view of the third embodiment as viewed from the front, from below and from the left.
FIG. 25 is a front elevation view of the third embodiment.
FIG. 26 is a rear elevation view of the third embodiment.
FIG. 27 is a right side elevation view of the third embodiment.
FIG. 28 is a left side elevation view of the third embodiment.

FIG. 29 is a top plan view of the third embodiment.
FIG. 30 is a bottom plan view of the third embodiment.
FIG. 31 is a perspective view of a fourth embodiment of the dispensing assembly as viewed from the front, from above and from the left.
FIG. 32 is a perspective view of the fourth embodiment as viewed from the front, from above and from the right.
FIG. 33 is a perspective view of the fourth embodiment as viewed from the front, from below and from the right.
FIG. 34 is a perspective view of the fourth embodiment as viewed from the front, from below and from the left.
FIG. 35 is a front elevation view of the fourth embodiment.
FIG. 36 is a rear elevation view of the fourth embodiment.
FIG. 37 is a right side elevation view of the fourth embodiment.
FIG. 38 is a left side elevation view of the fourth embodiment.
FIG. 39 is a top plan view of the fourth embodiment; and,
FIG. 40 is a bottom plan view of the fourth embodiment.
The broken lines illustrate portions of the dispensing assembly which form no part of the claimed design.

1 Claim, 16 Drawing Sheets

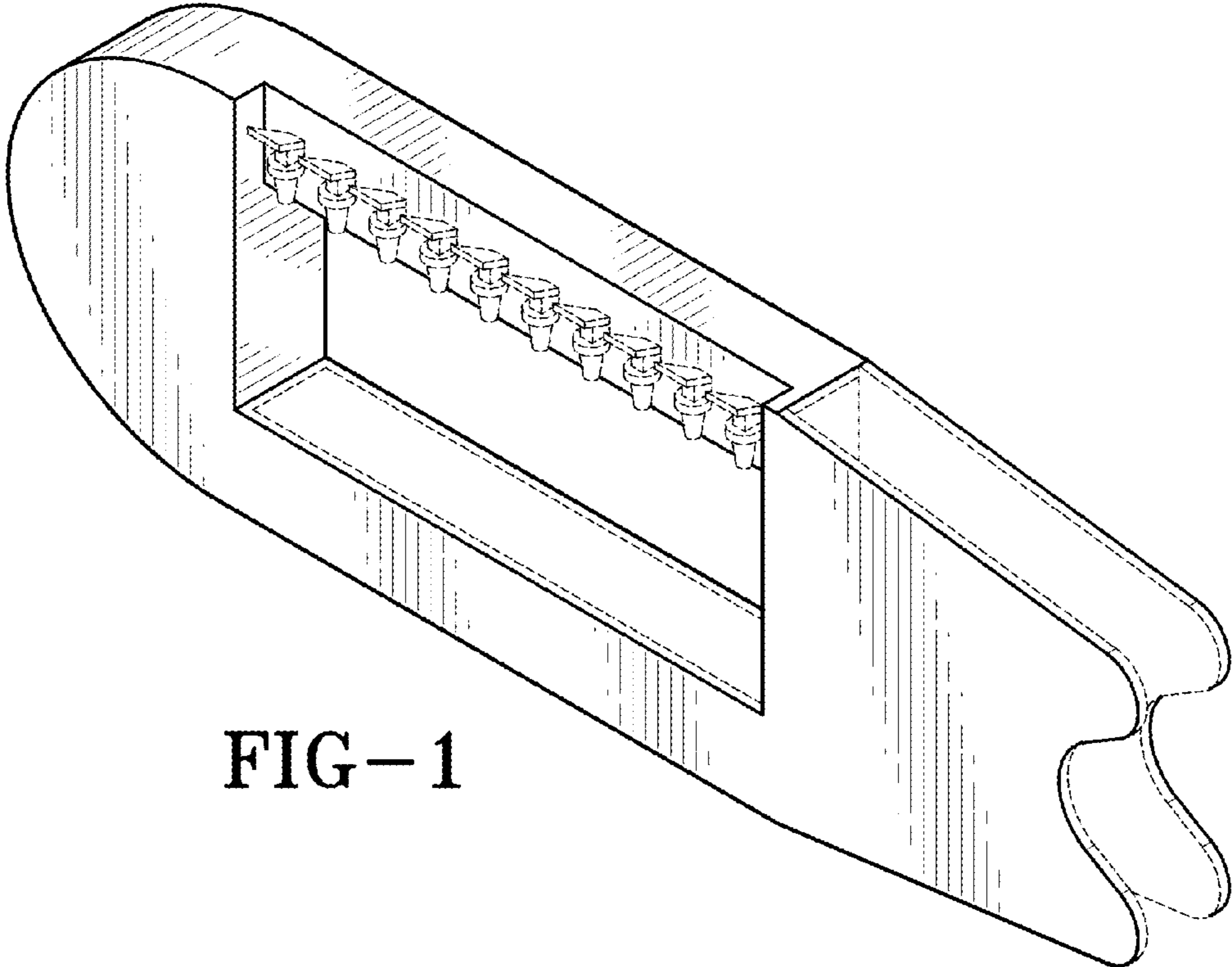


FIG-1

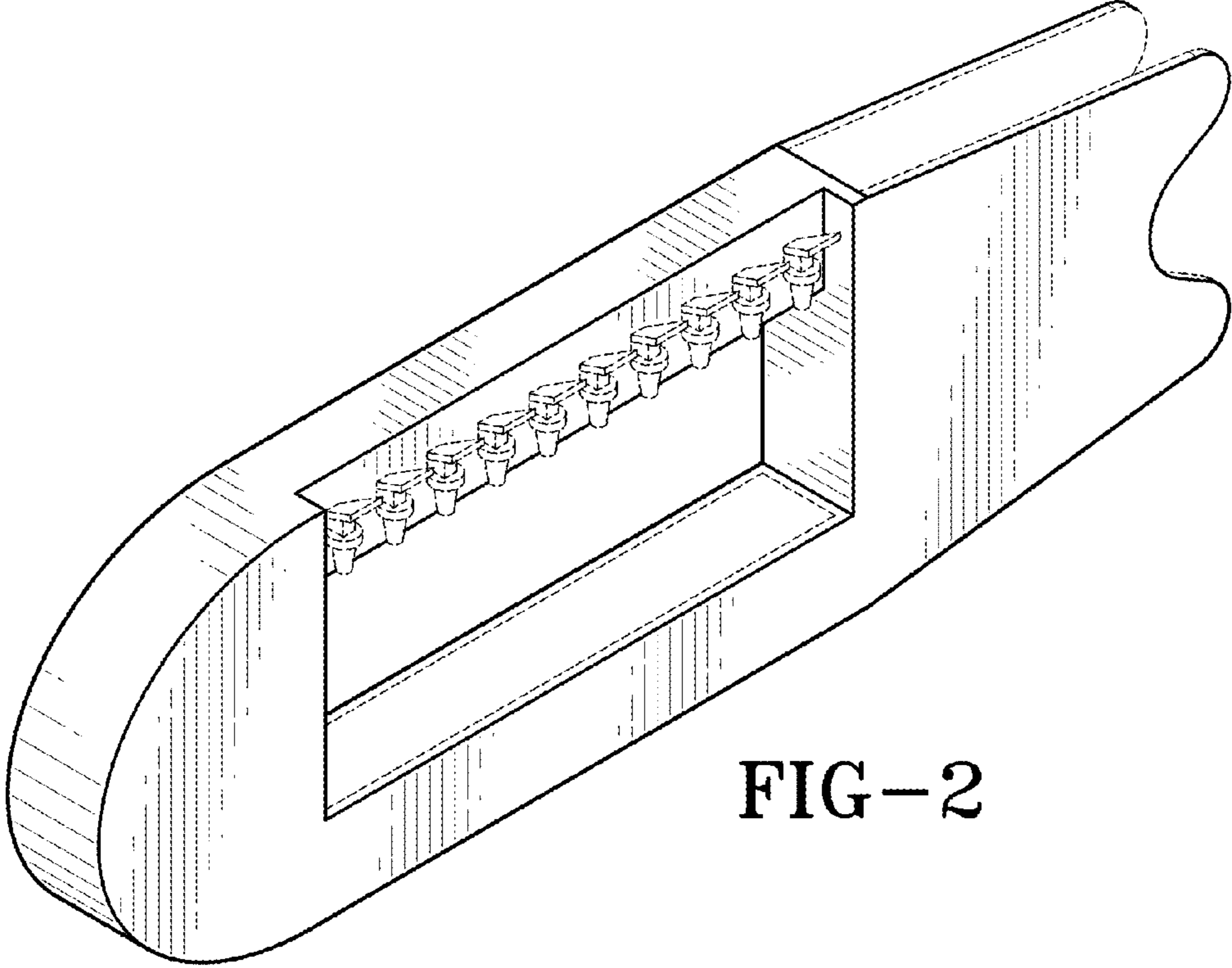


FIG-2

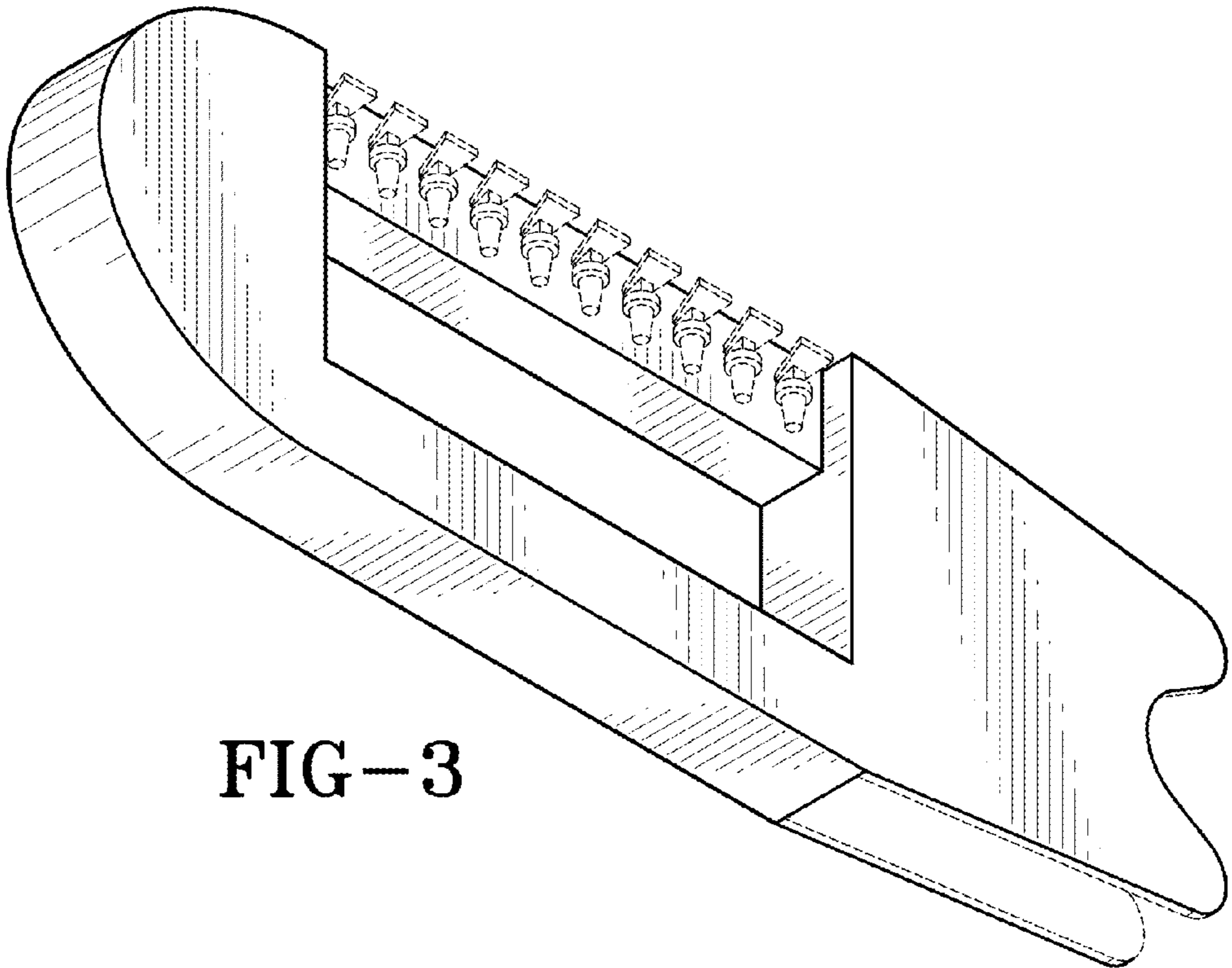


FIG-3

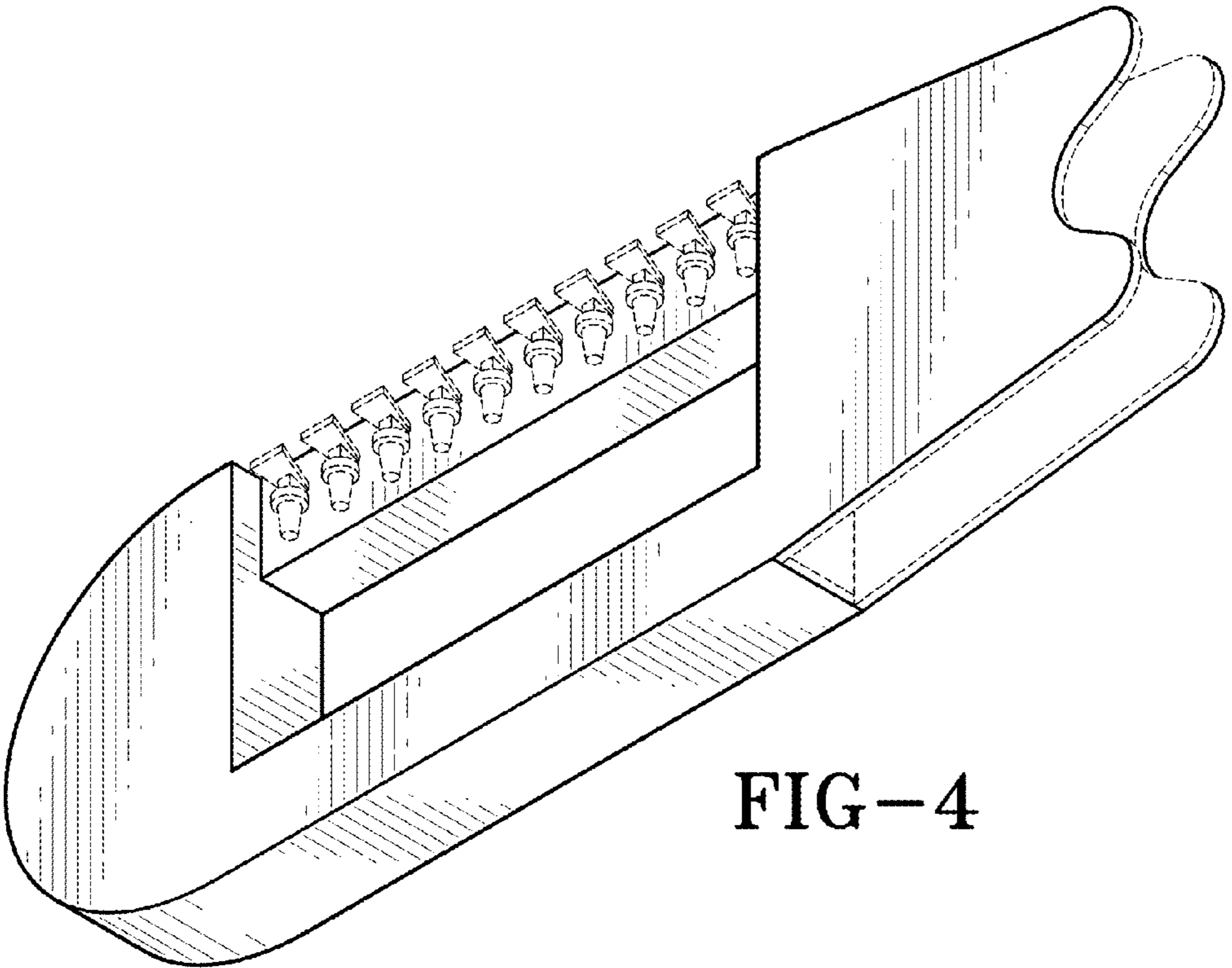


FIG-4

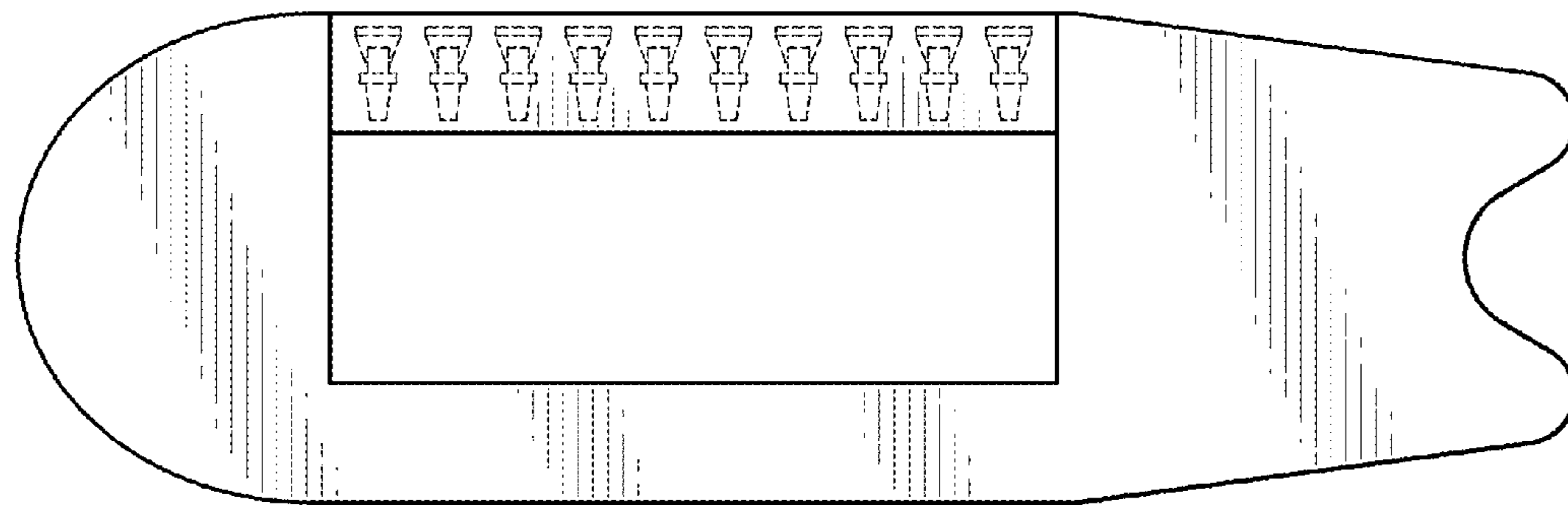


FIG-5

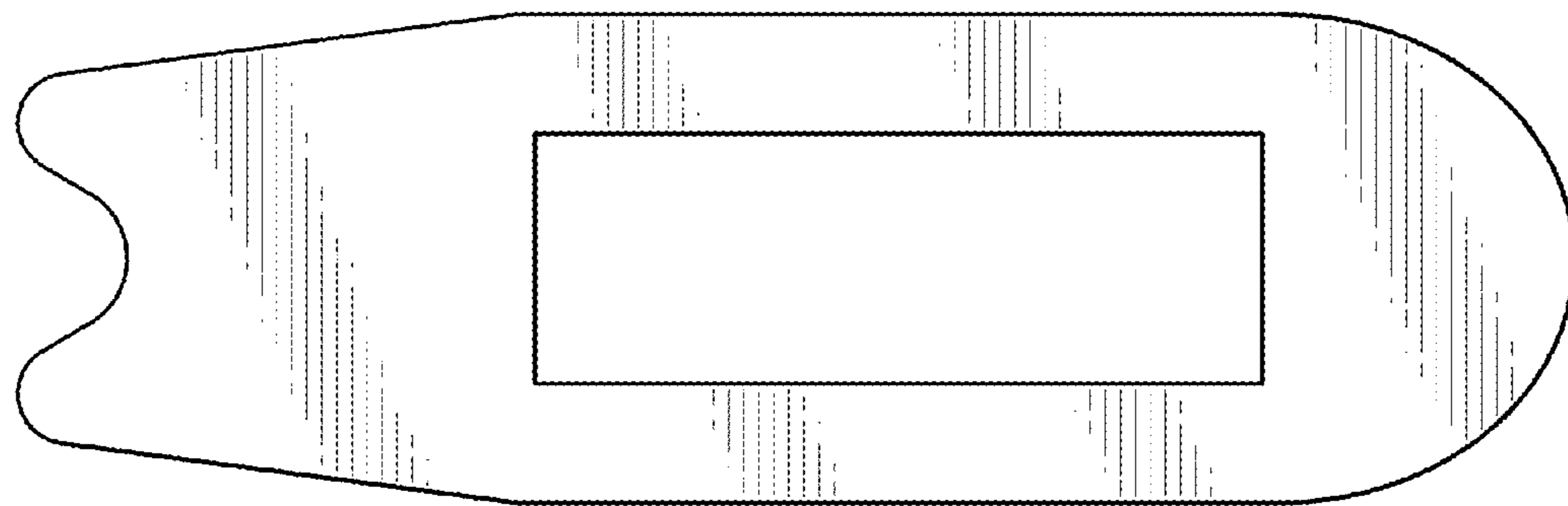


FIG-6

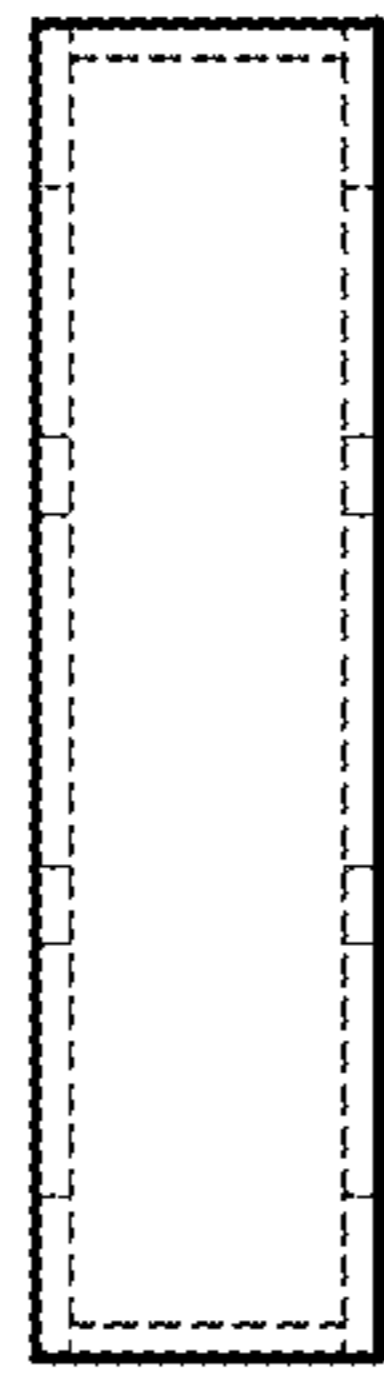


FIG-7

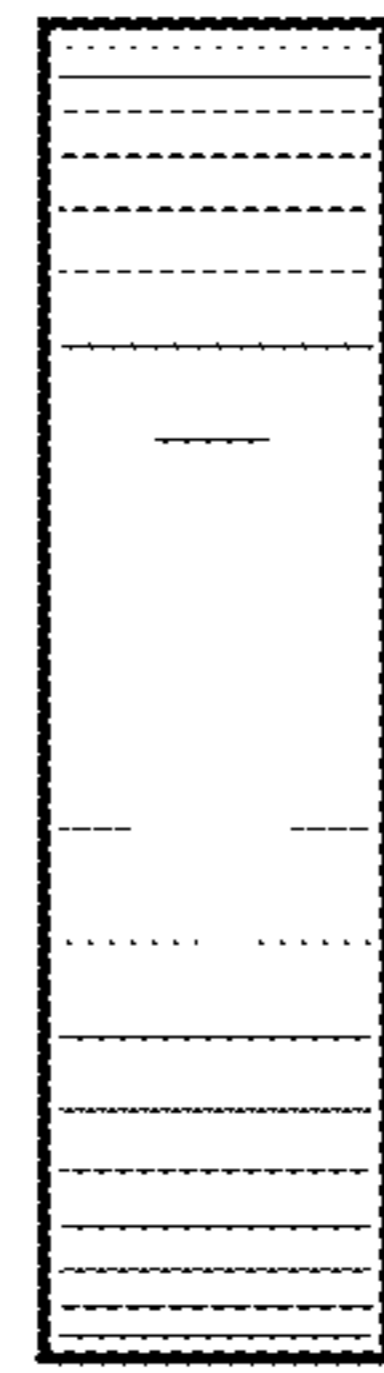


FIG-8

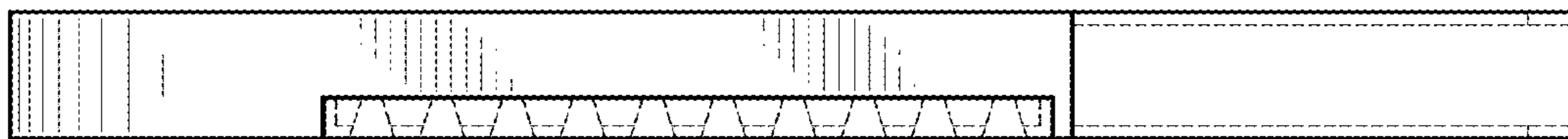


FIG-9

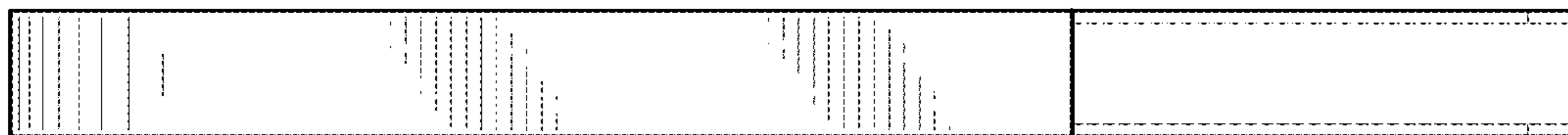


FIG-10

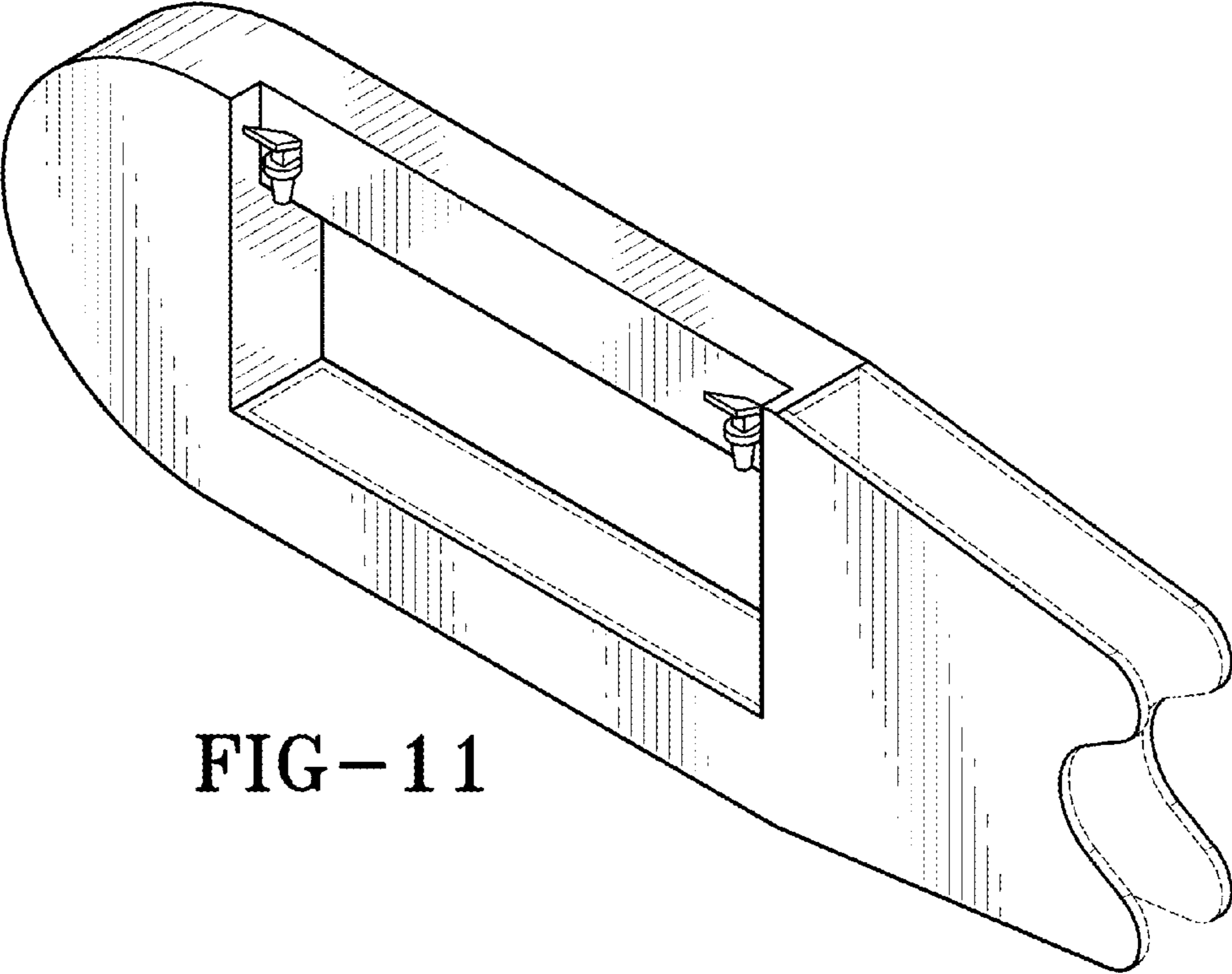


FIG-11

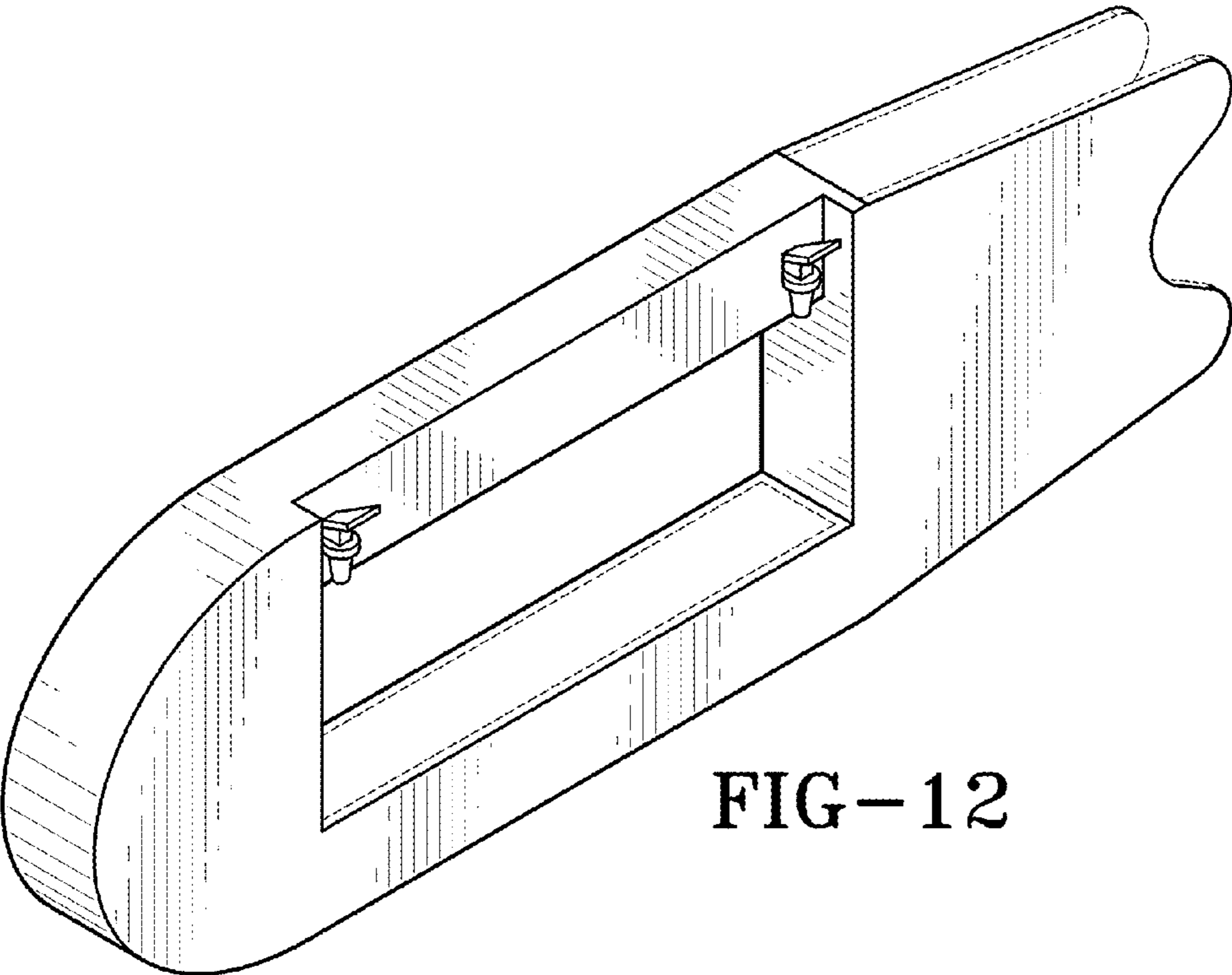


FIG-12

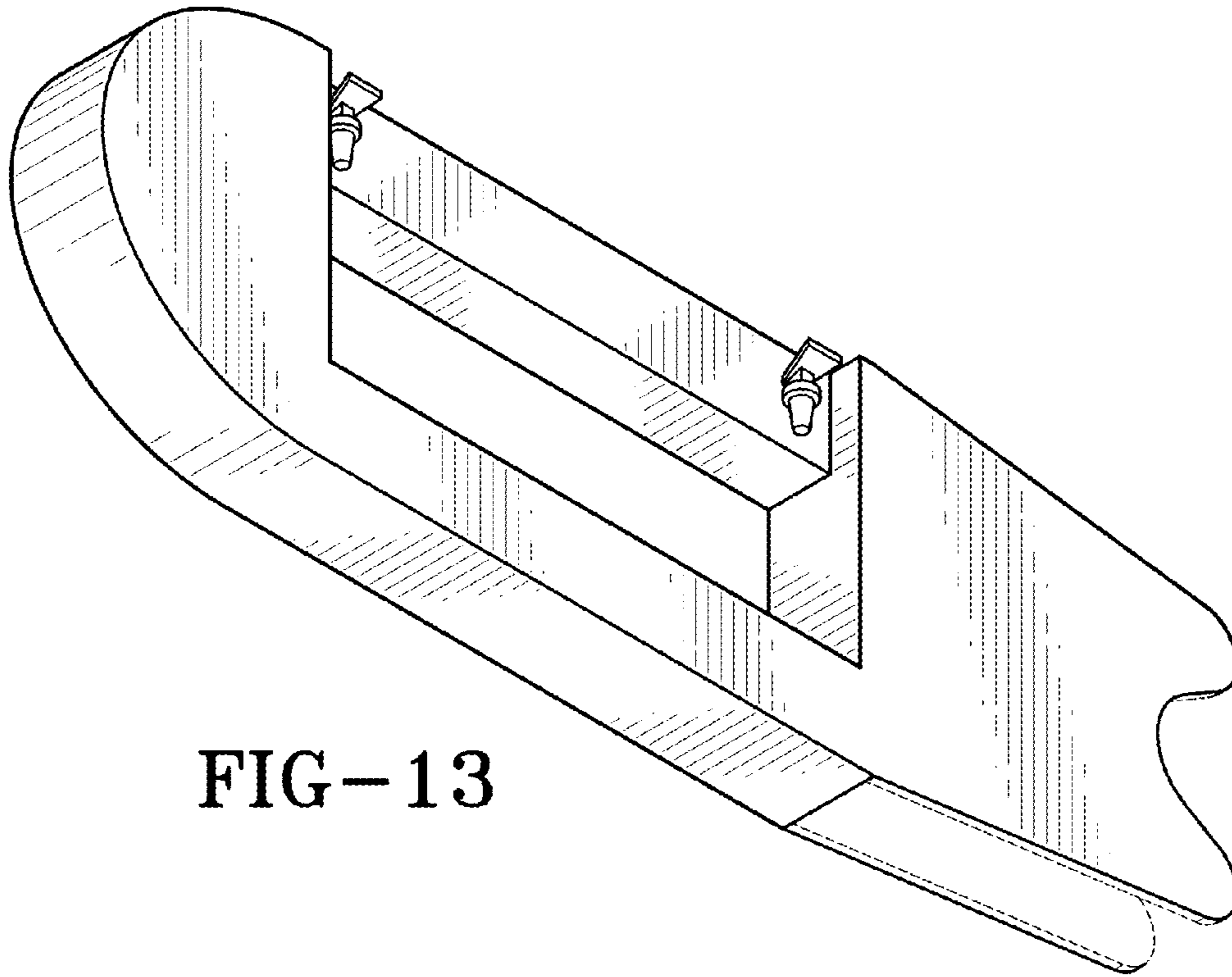


FIG-13

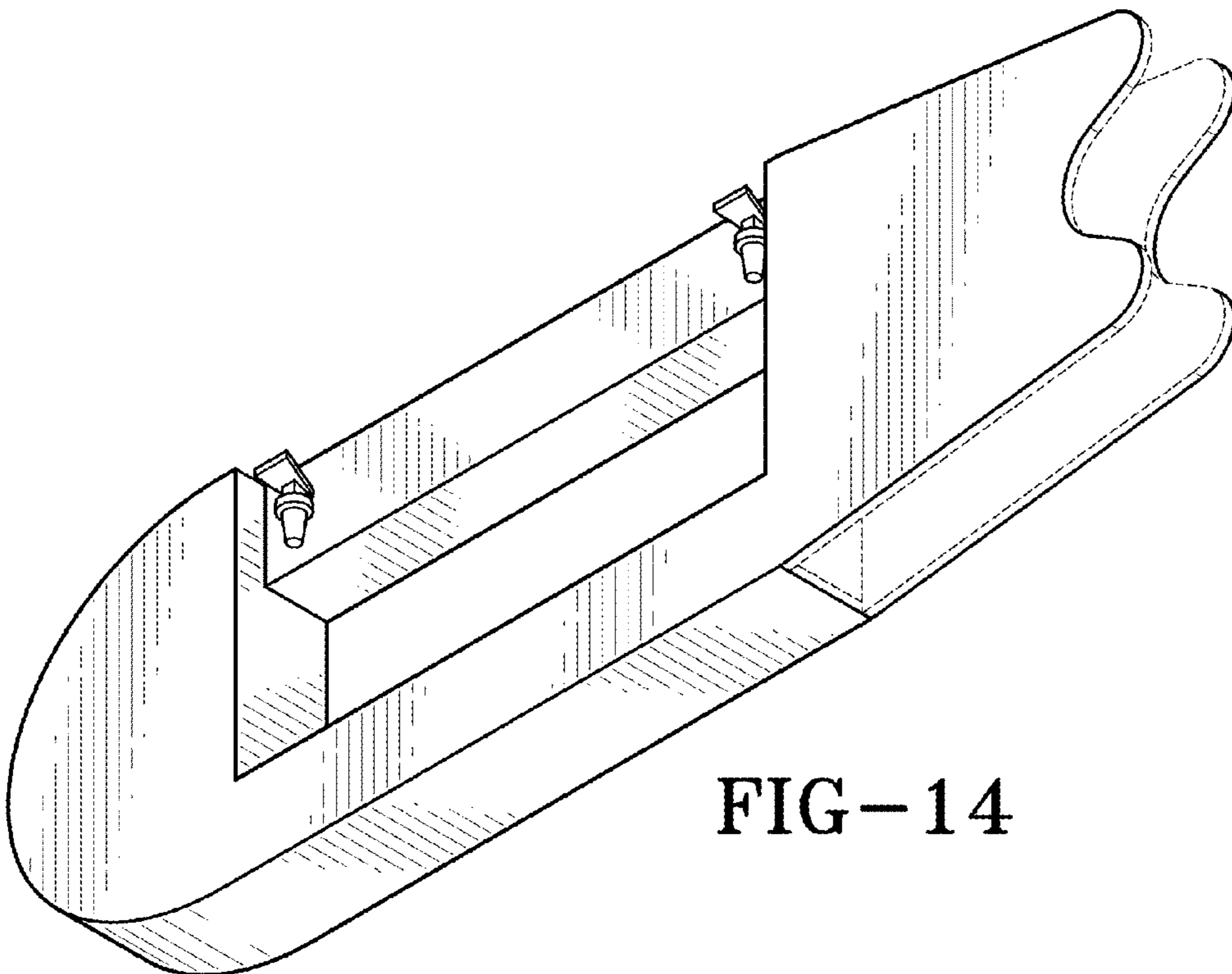


FIG-14

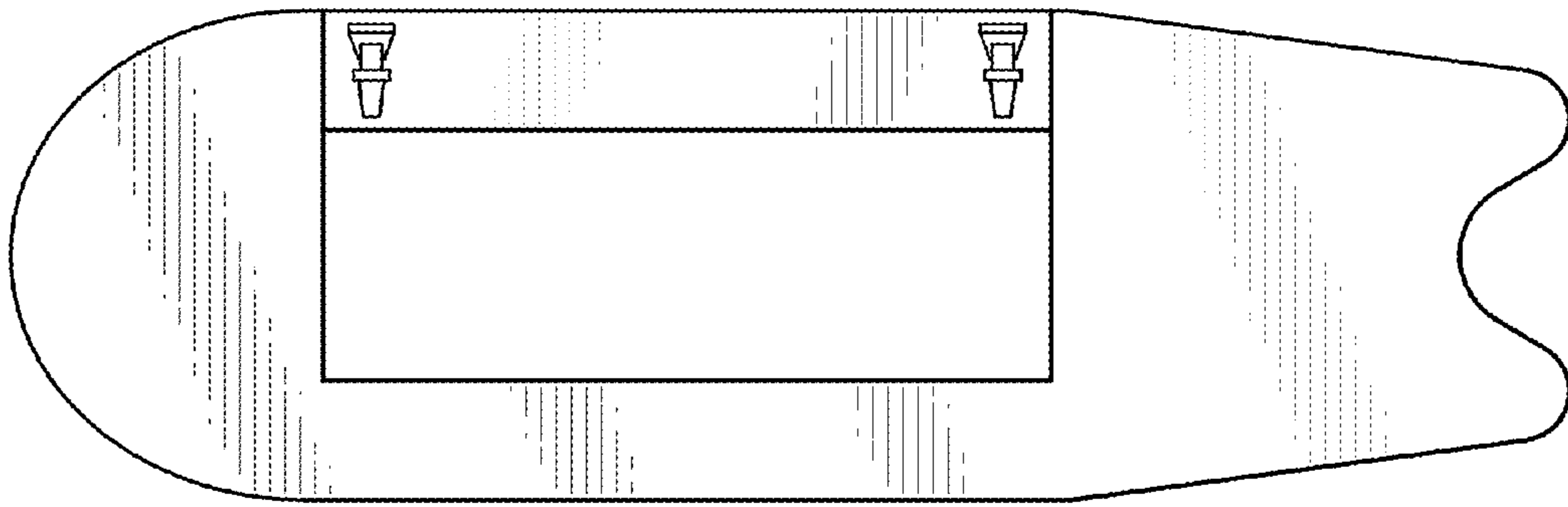


FIG-15

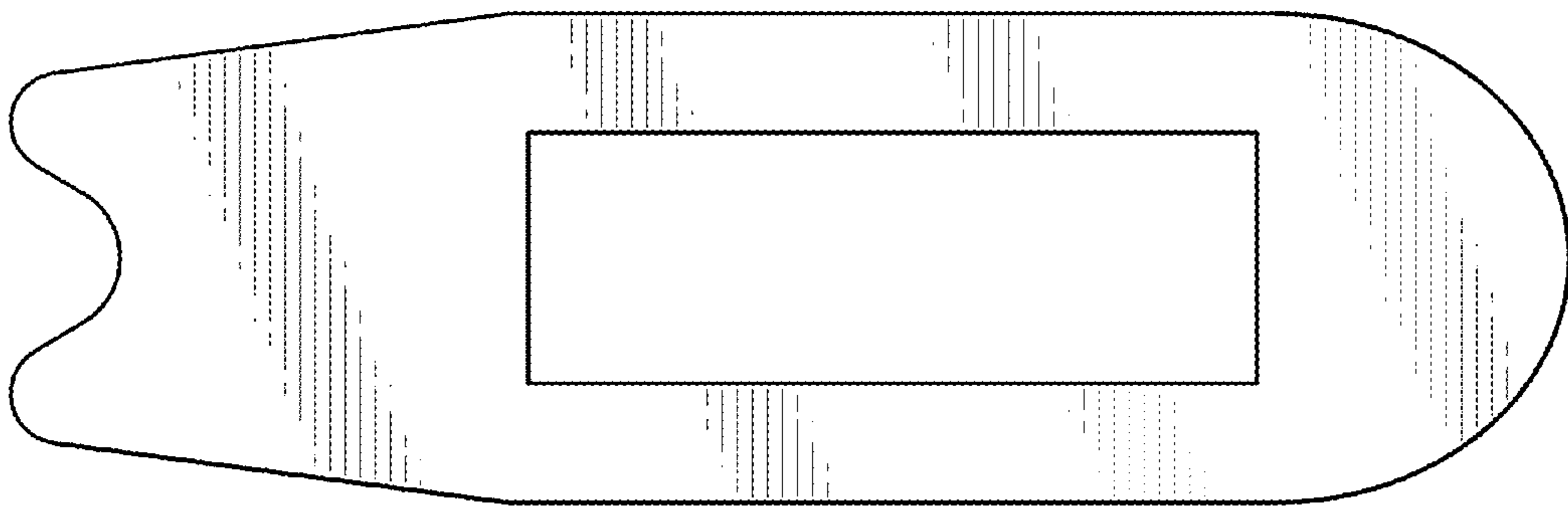


FIG-16



FIG-17

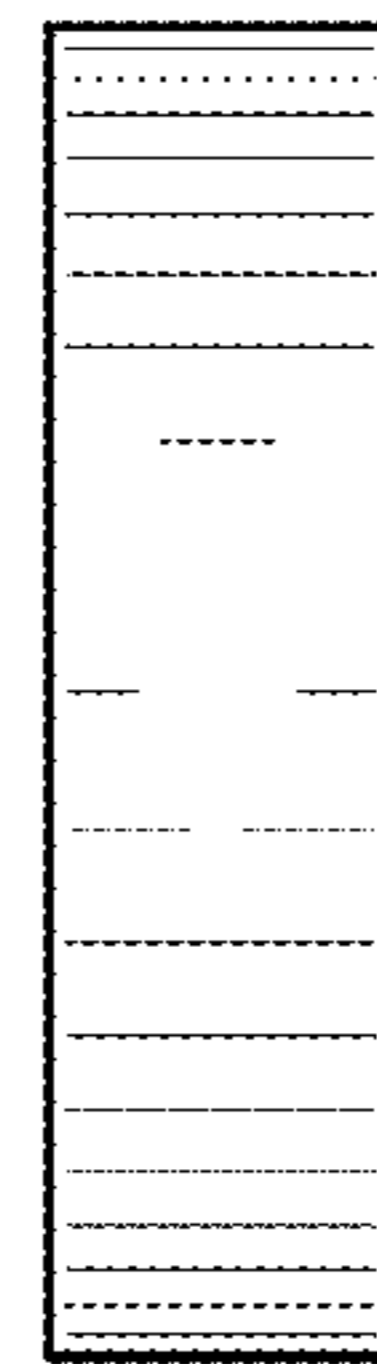


FIG-18

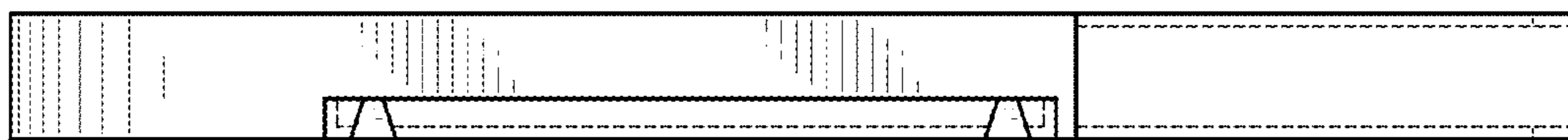


FIG-19

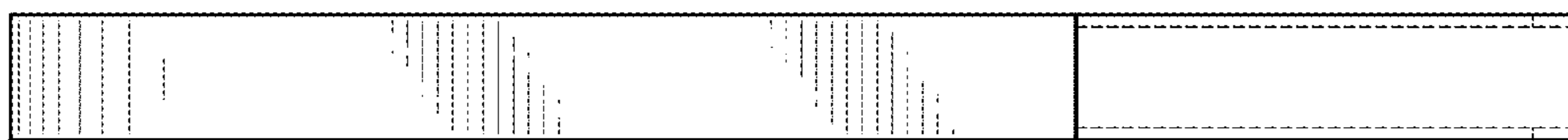


FIG-20

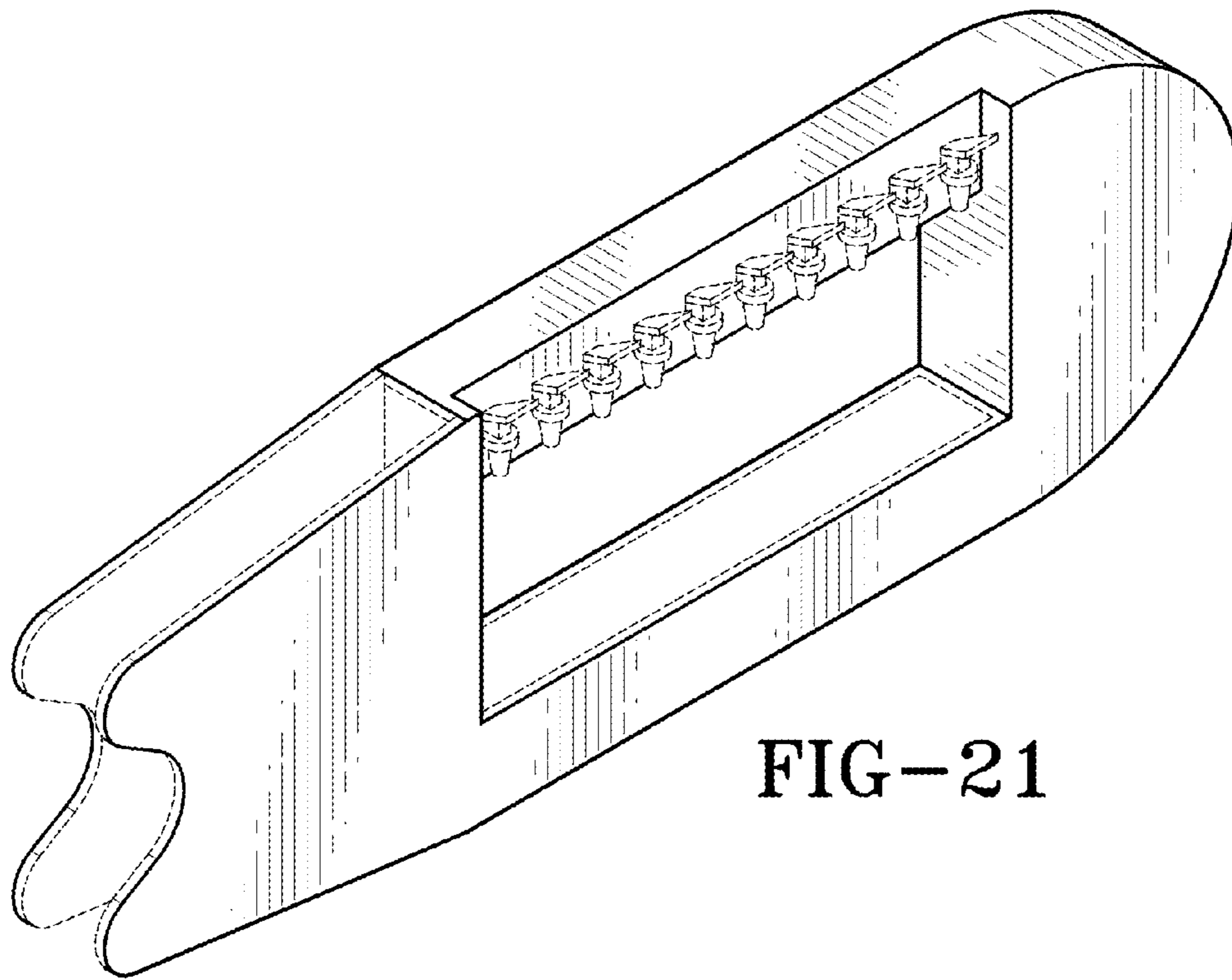


FIG-21

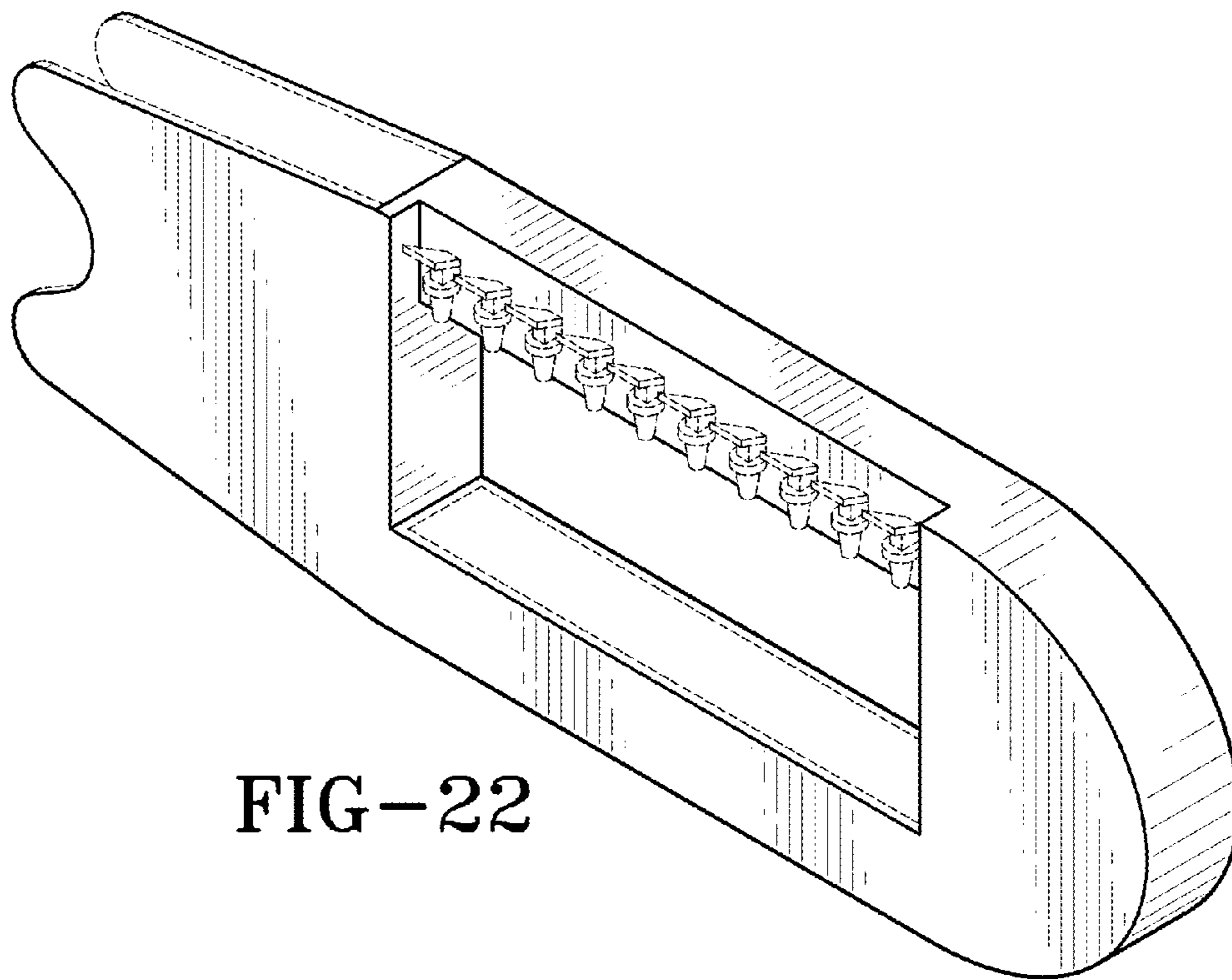


FIG-22

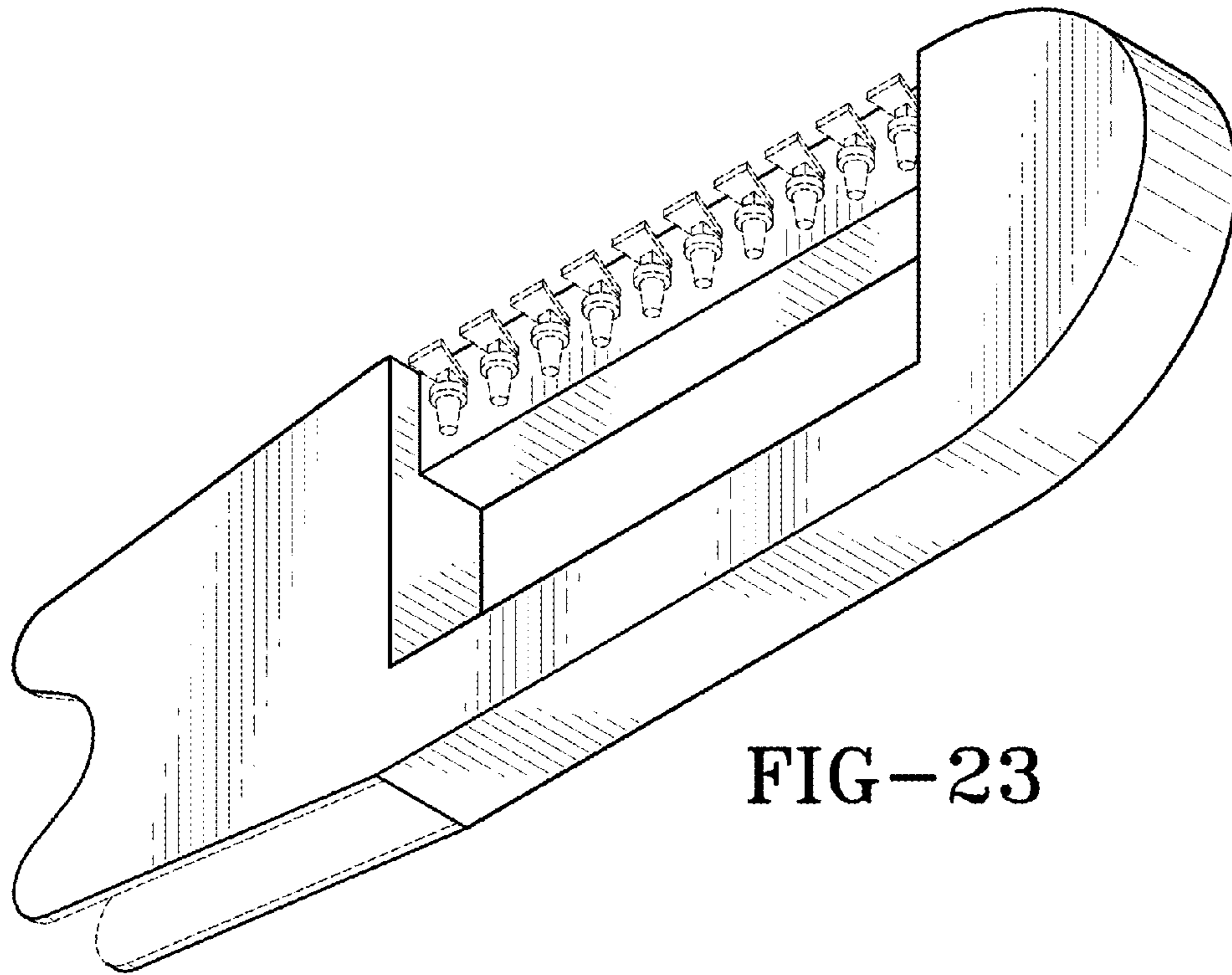


FIG-23

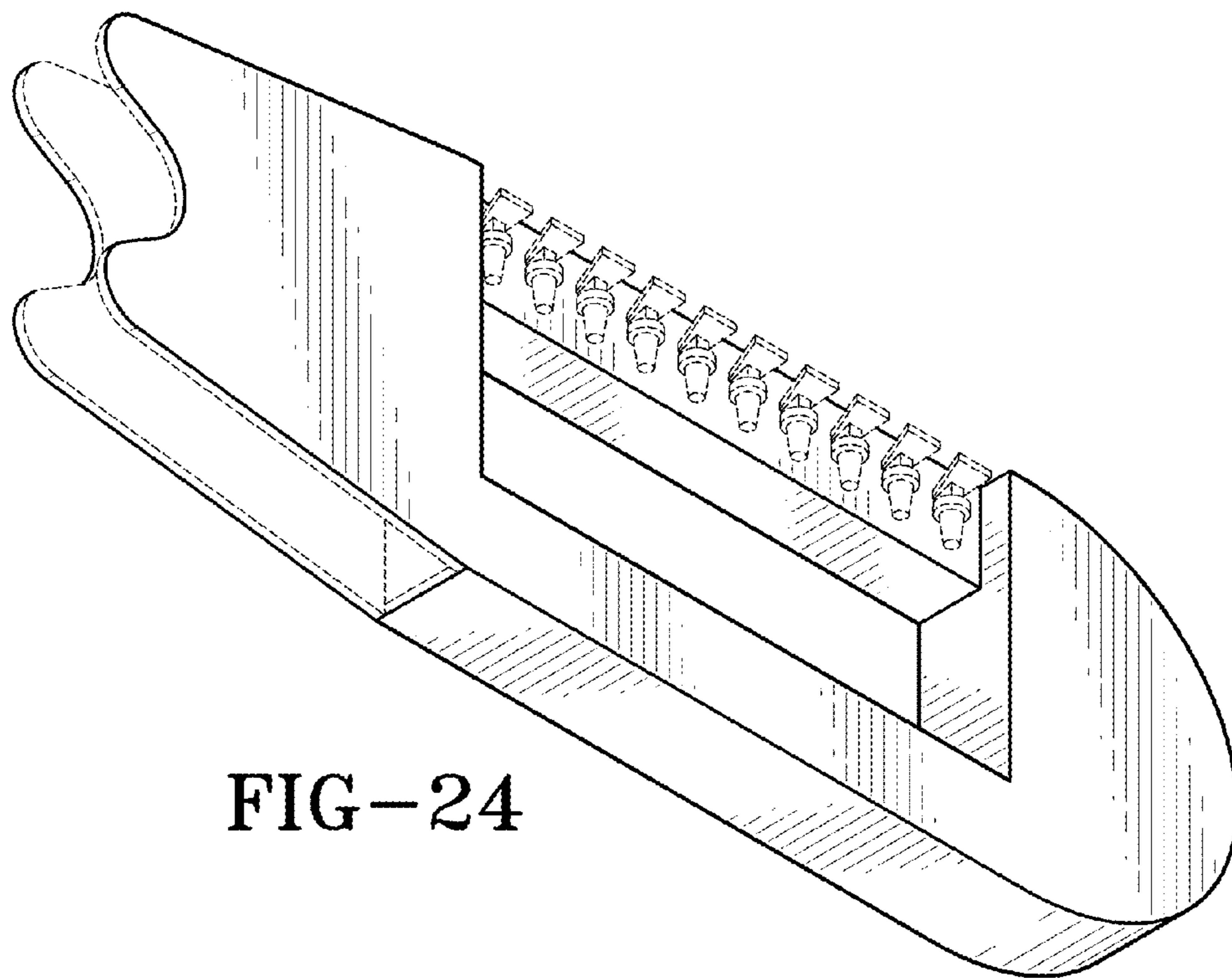


FIG-24

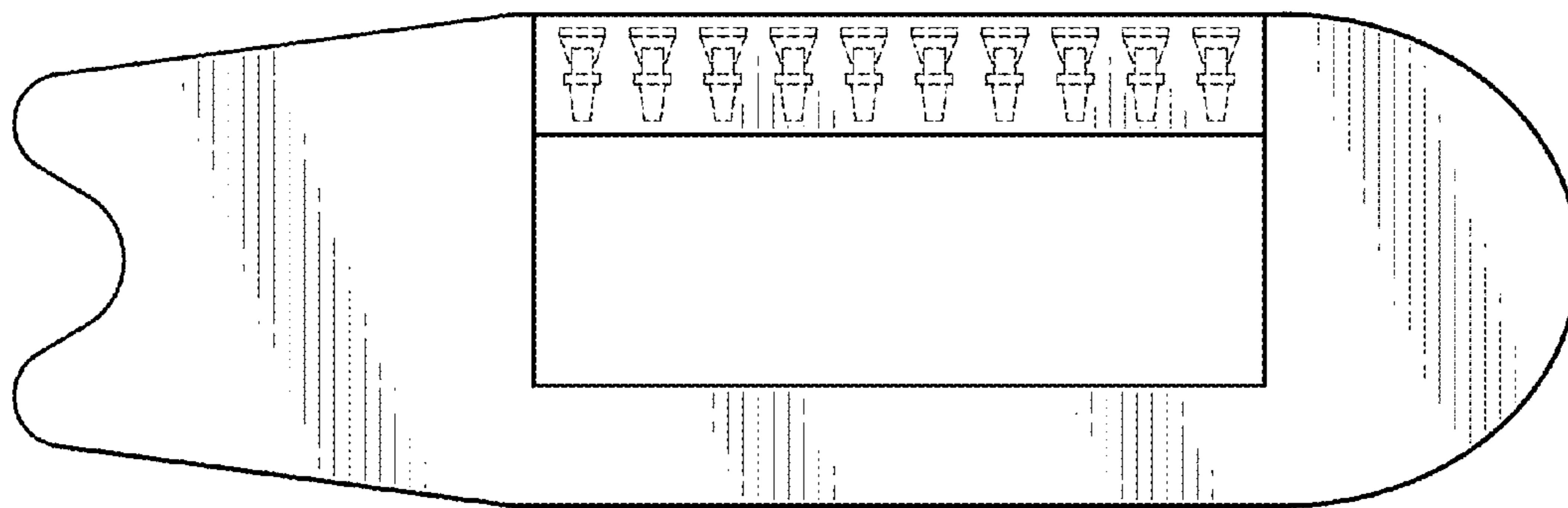


FIG-25

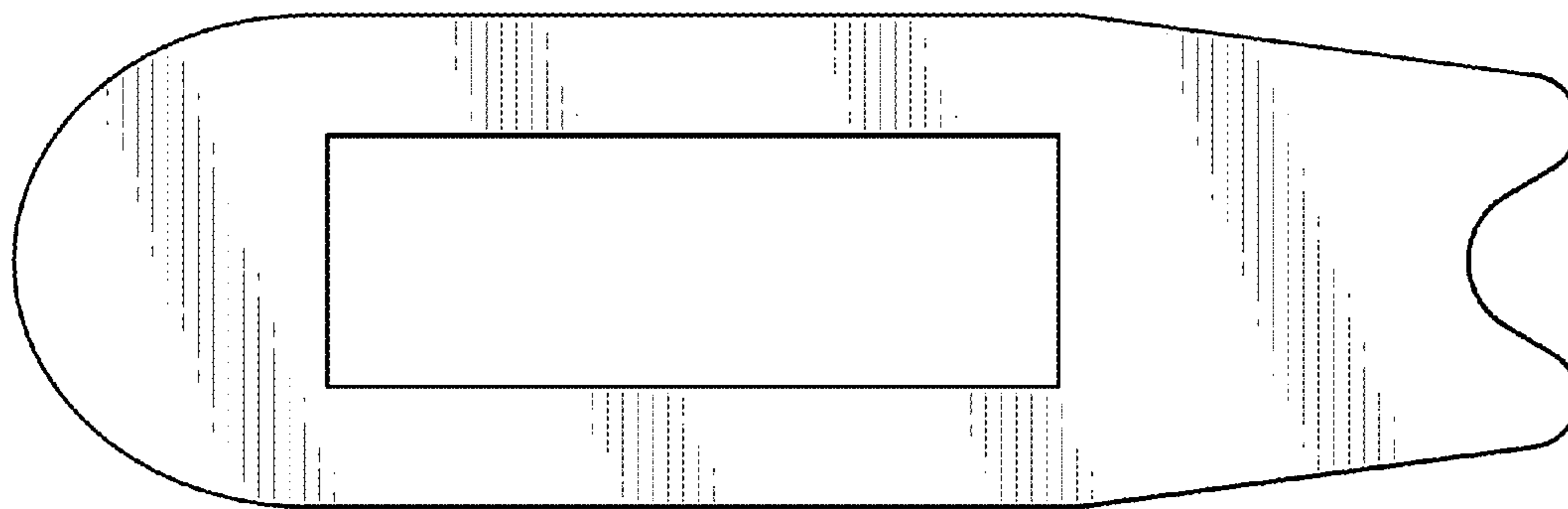


FIG-26

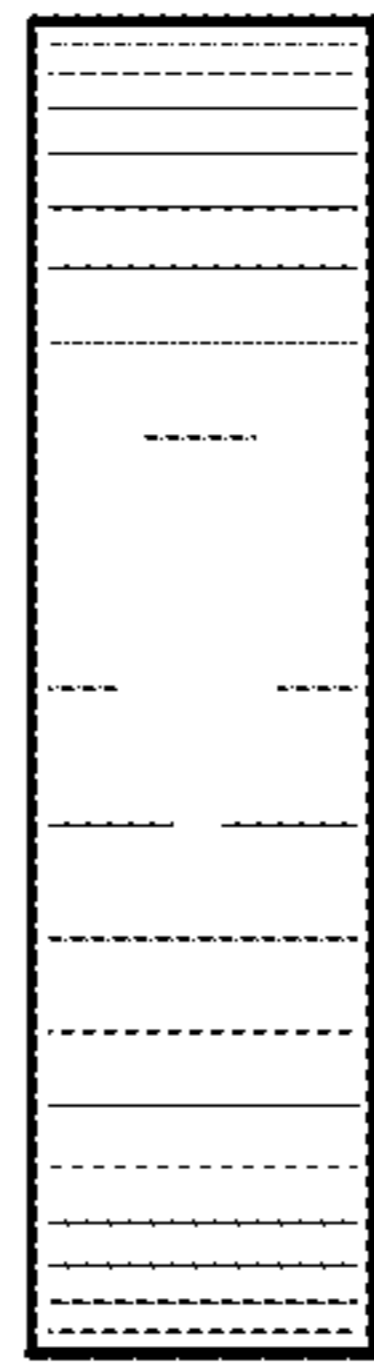


FIG-27

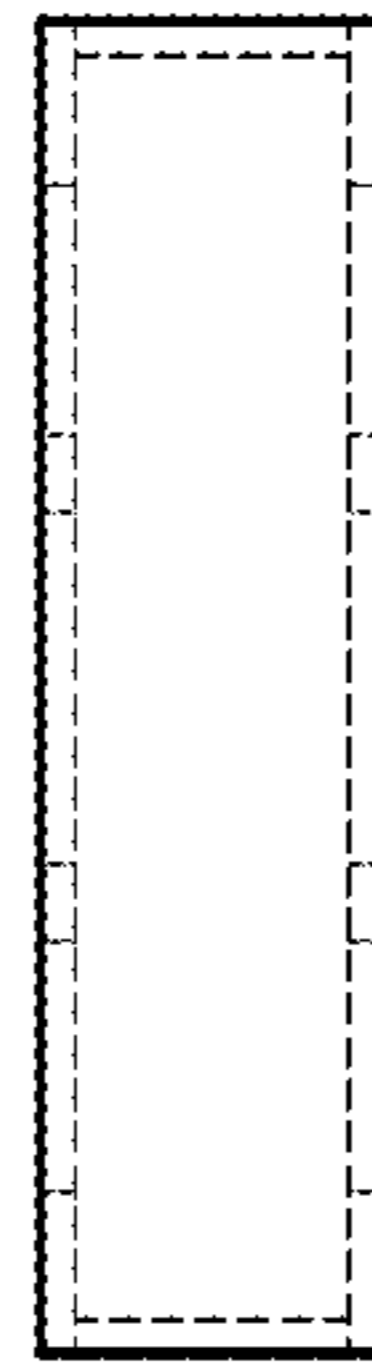


FIG-28

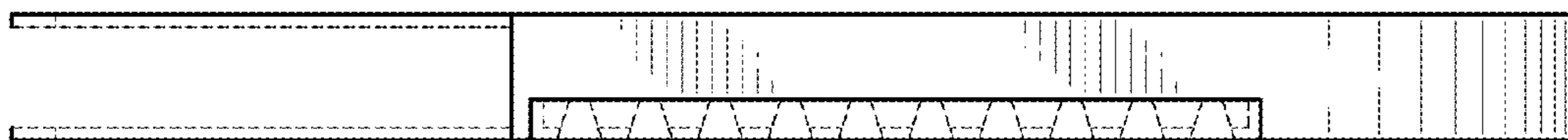


FIG-29

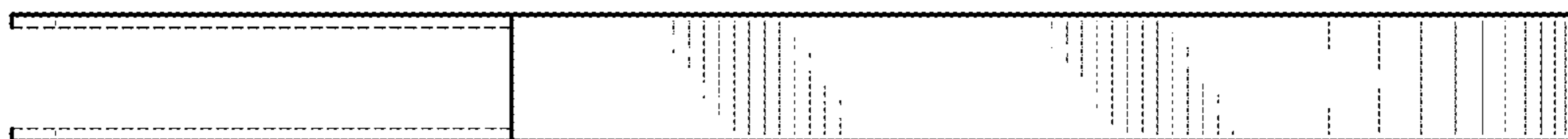


FIG-30

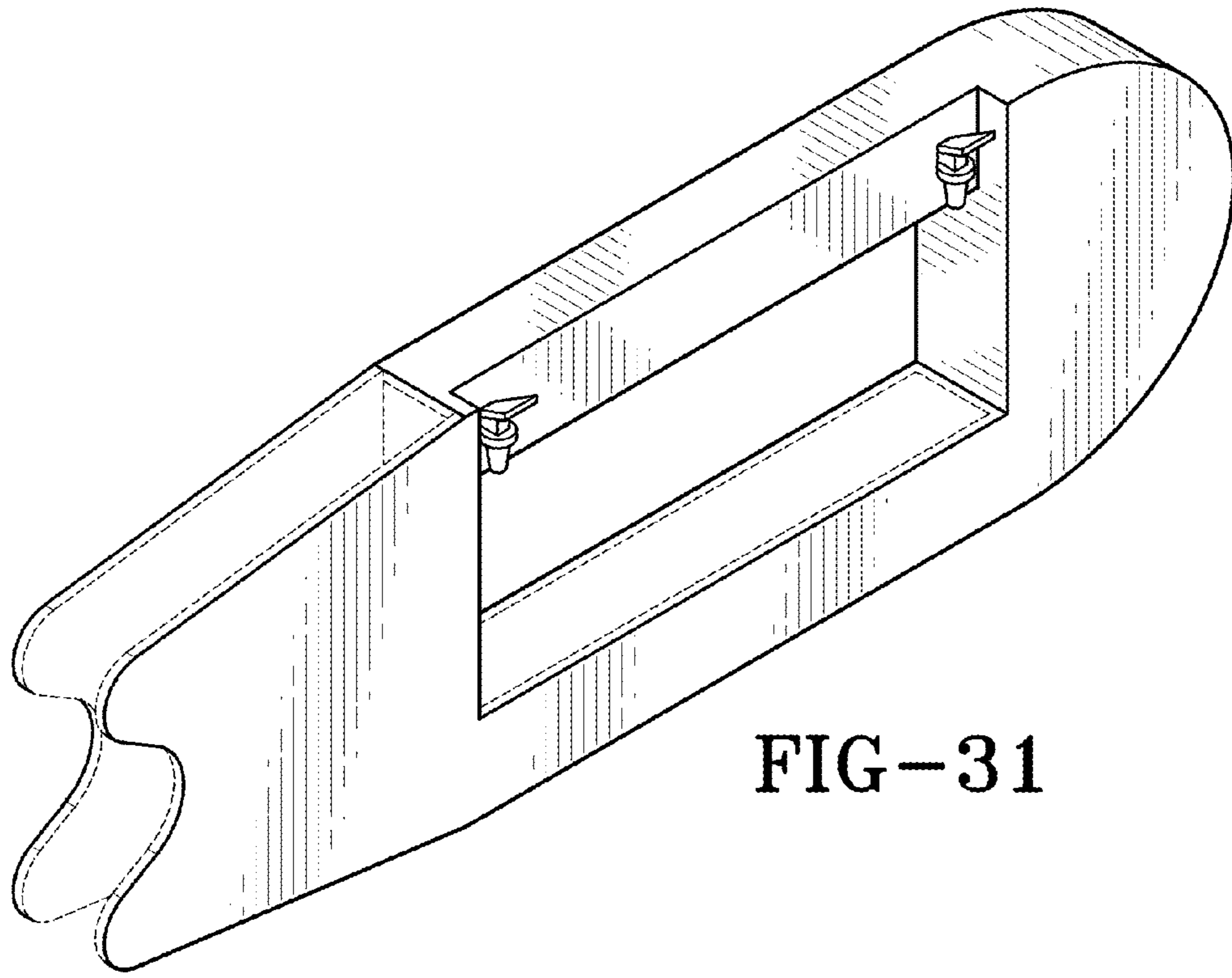


FIG-31

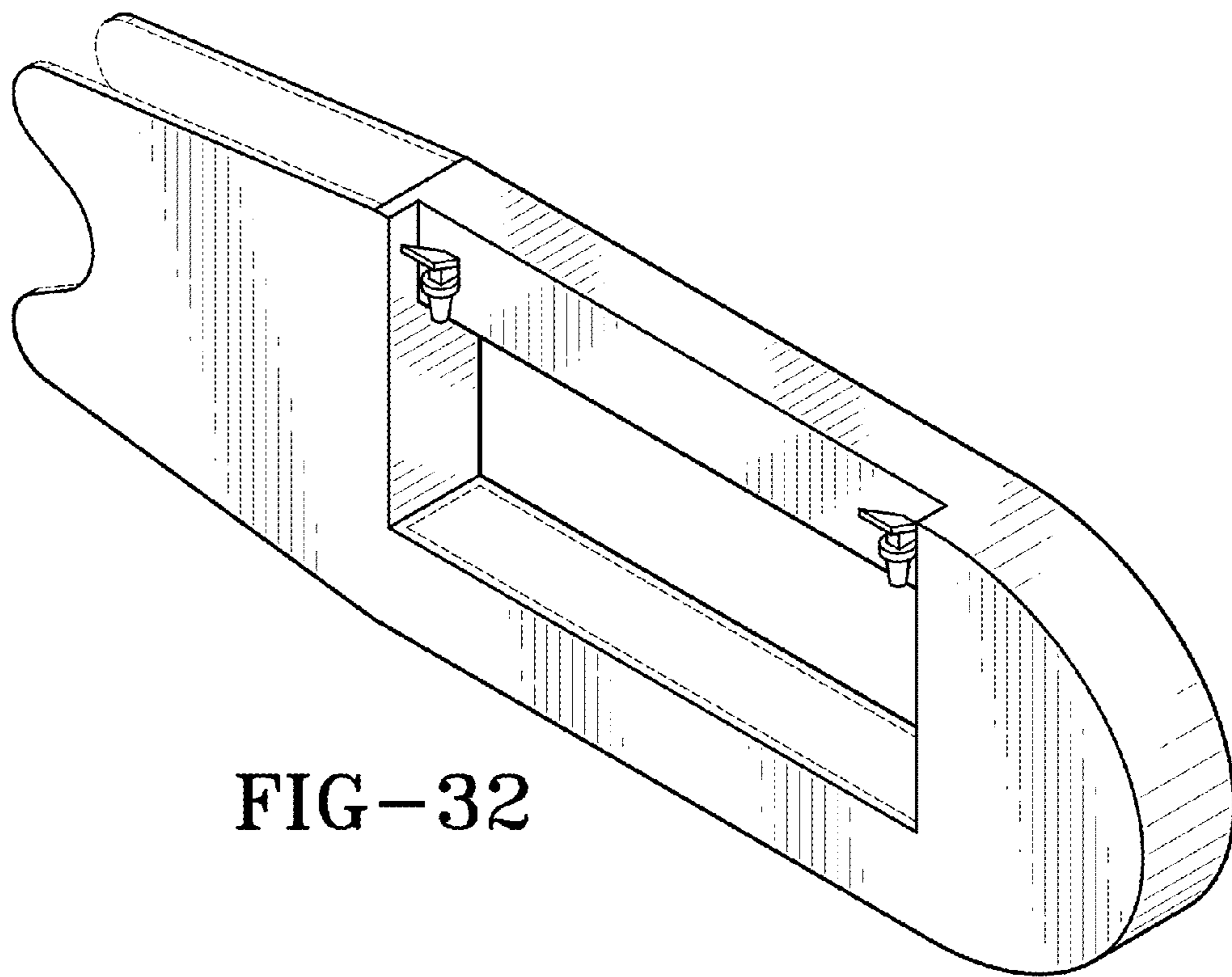


FIG-32

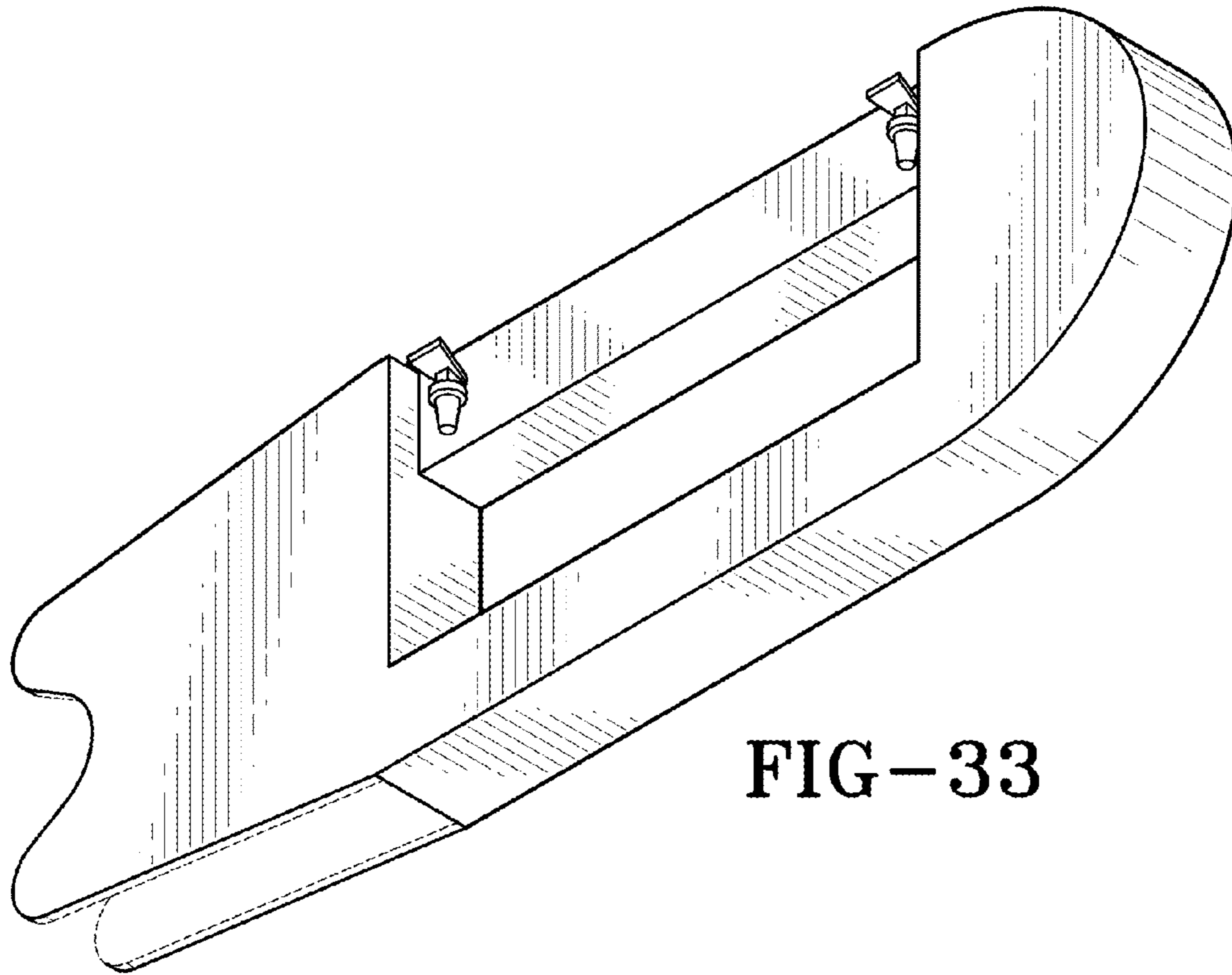


FIG-33

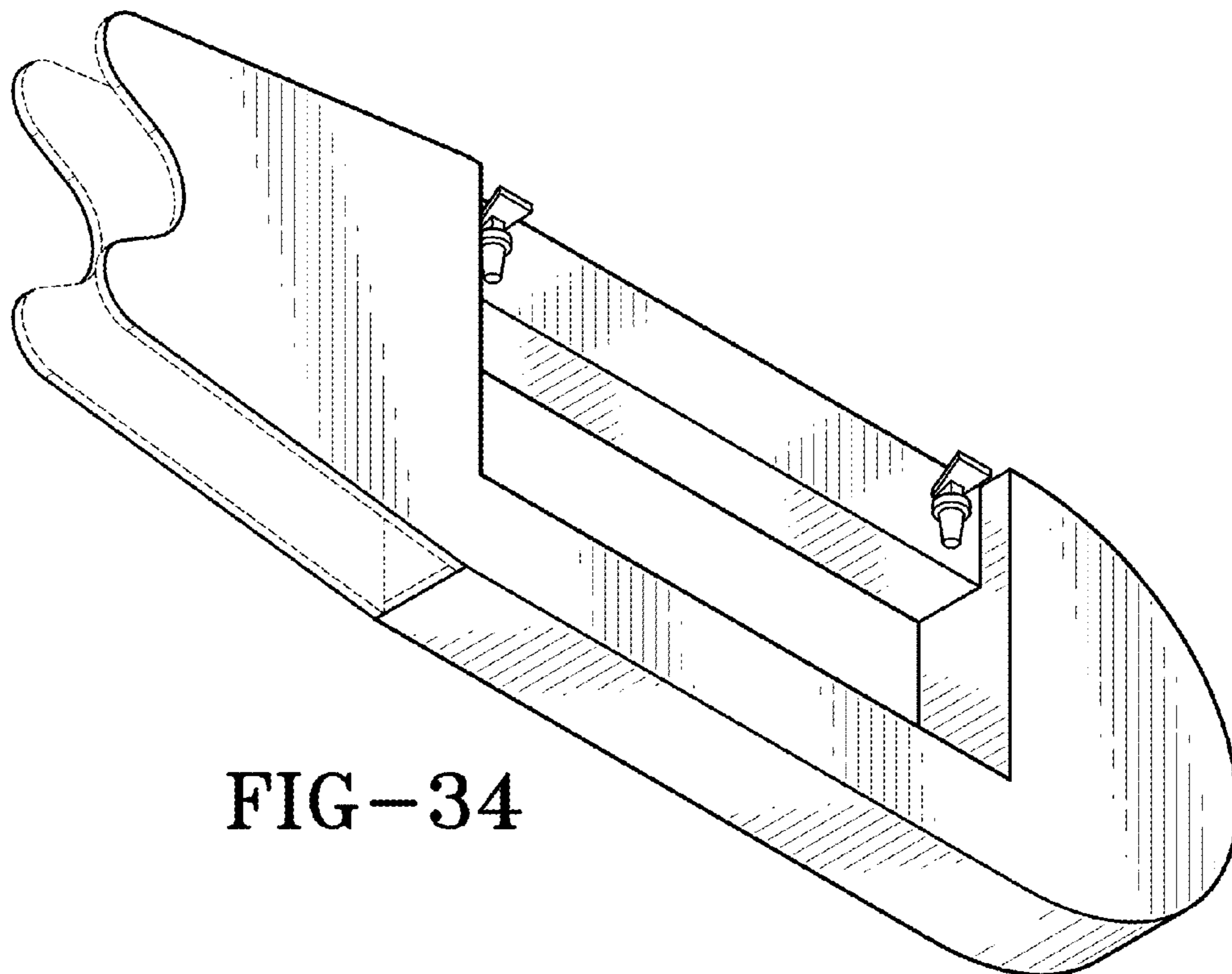


FIG-34

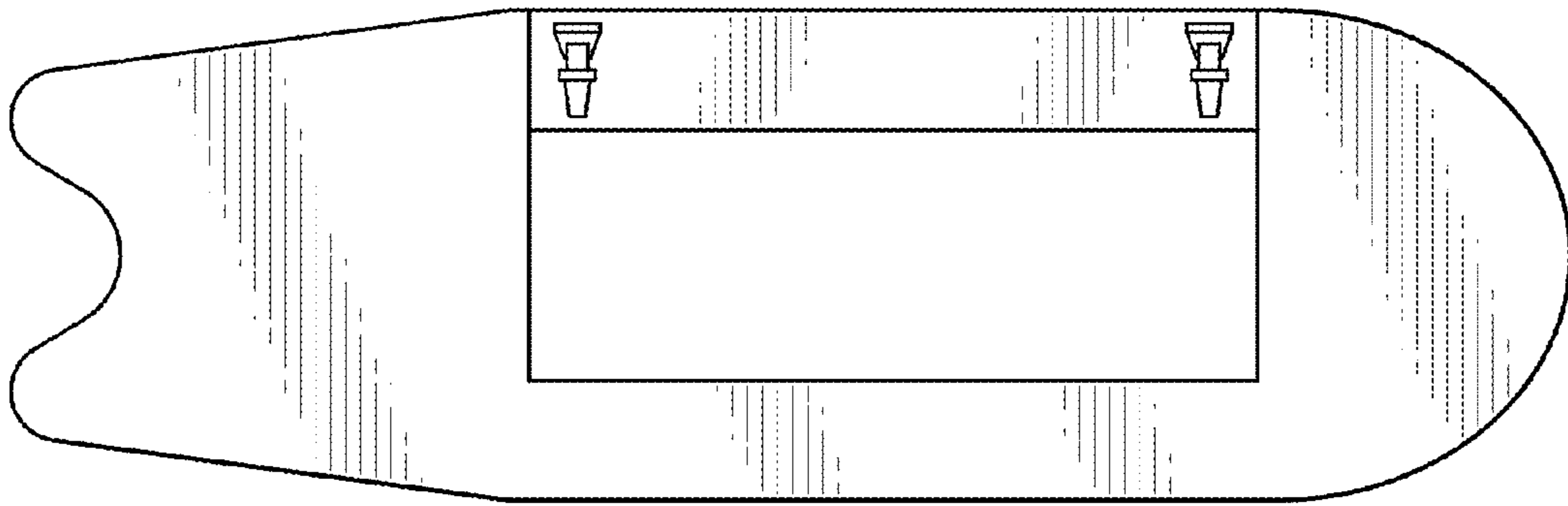


FIG-35

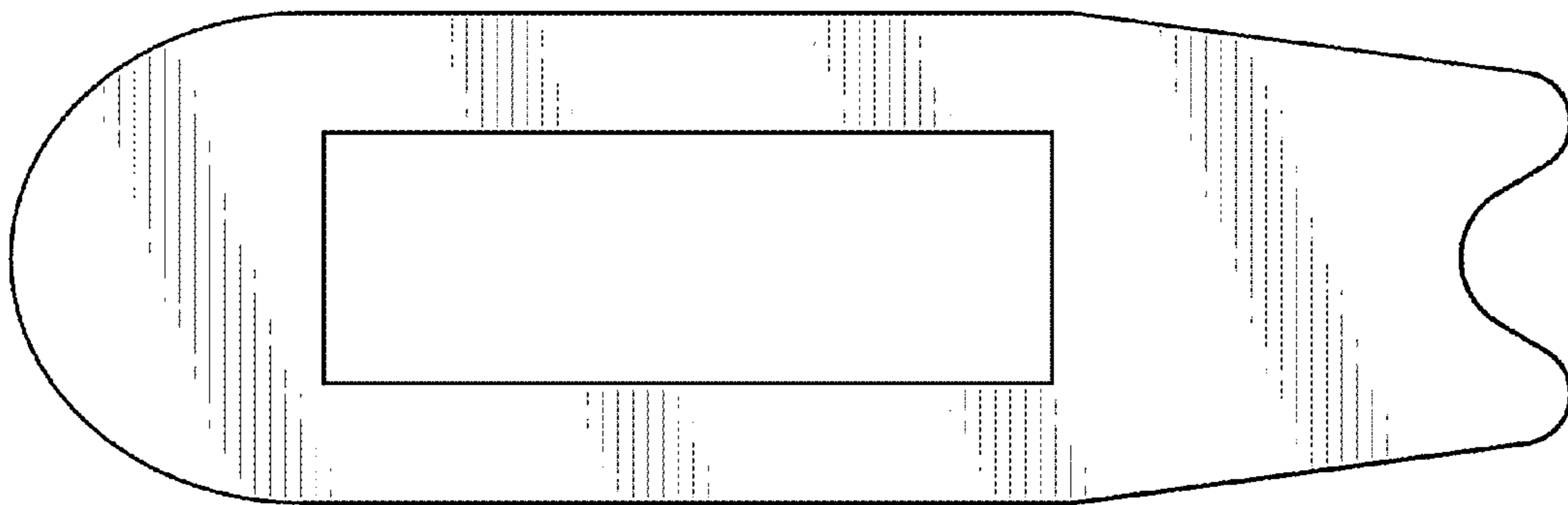


FIG-36

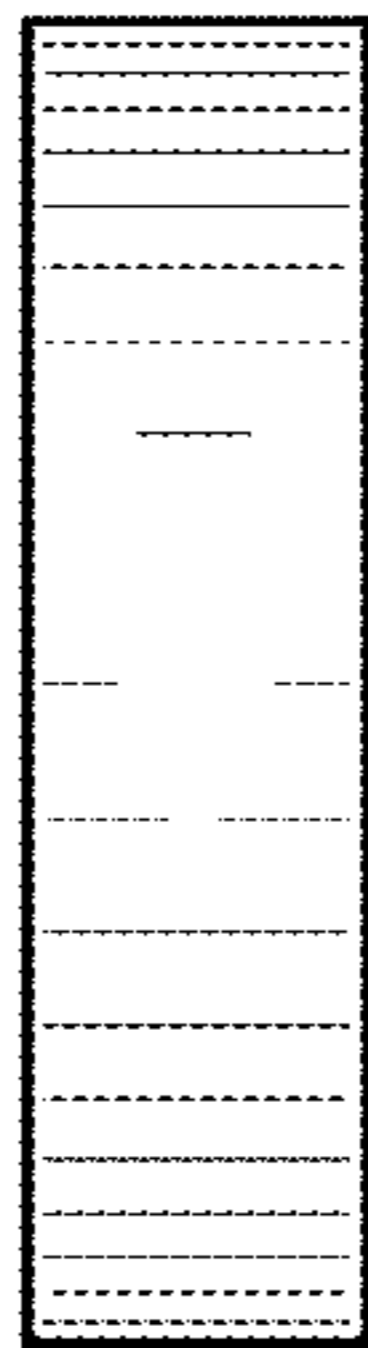


FIG-37

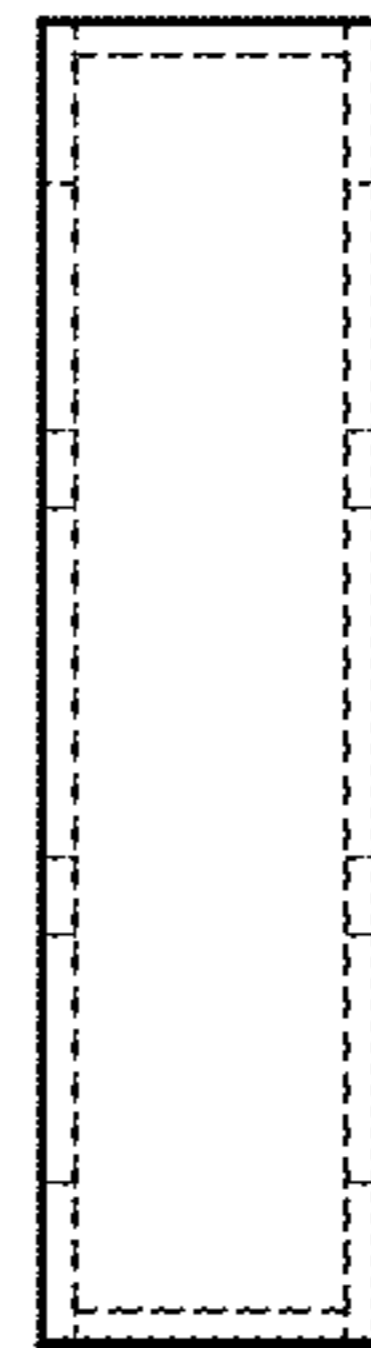


FIG-38

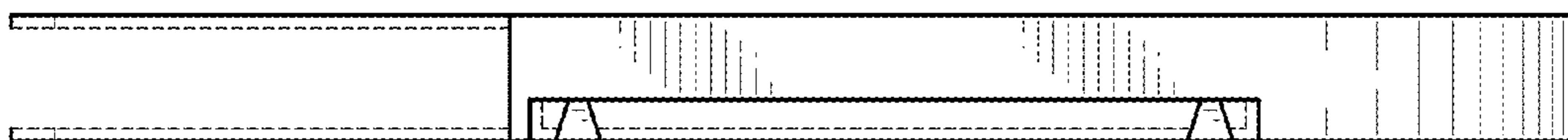


FIG-39

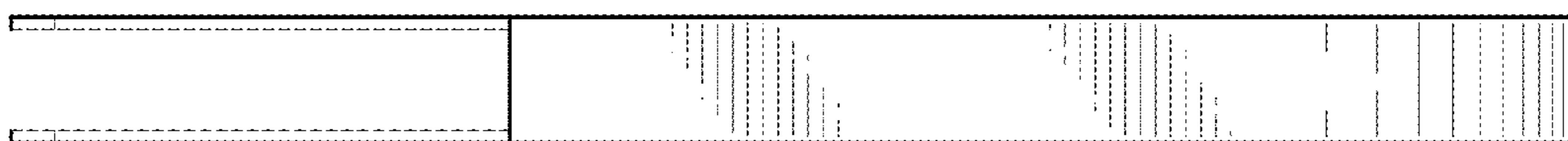


FIG-40