



US00D704492S

(12) **United States Design Patent**  
**Broen et al.**

(10) **Patent No.:** **US D704,492 S**  
(45) **Date of Patent:** **\*\* May 13, 2014**

(54) **DISPENSER**

(71) Applicant: **PepsiCo, Inc.**, Purchase, NY (US)  
(72) Inventors: **Martin Eduardo Broen**, New York, NY (US); **Stephen Lim**, Chappaqua, NY (US); **Johannes Bayer**, Balgach (CH); **Martin Ivar Franzen**, Milan (IT)

(73) Assignee: **PepsiCo, Inc.**, Purchase, NY (US)

(\*\*) Term: **14 Years**

(21) Appl. No.: **29/453,961**

(22) Filed: **May 3, 2013**

(51) **LOC (10) Cl.** ..... **07-01**

(52) **U.S. Cl.**  
USPC ..... **D7/306**

(58) **Field of Classification Search**  
USPC ..... D7/306-311, 300, 305; 99/282, 279,  
99/280, 300, 305; 222/146.5, 129.1;  
D20/1

See application file for complete search history.

(56) **References Cited**

**U.S. PATENT DOCUMENTS**

D183,532 S \* 9/1958 McCauly ..... D7/311  
D256,125 S \* 7/1980 Erickson ..... D7/398  
D334,029 S \* 3/1993 Reising ..... D20/1

D365,962 S \* 1/1996 Amundsen et al. .... D7/311  
D375,431 S \* 11/1996 Credle et al. .... D7/311  
D555,968 S \* 11/2007 Pfeifer et al. .... D7/306  
D646,105 S \* 10/2011 Deo et al. .... D7/306  
D655,122 S \* 3/2012 Bingul et al. .... D7/306  
D655,123 S \* 3/2012 Bingul et al. .... D7/306  
D669,154 S \* 10/2012 Choi ..... D23/207  
D681,385 S \* 5/2013 Ring et al. .... D7/306  
D682,597 S \* 5/2013 Bingul et al. .... D7/306  
D691,204 S \* 10/2013 d'Amore et al. .... D20/1

\* cited by examiner

*Primary Examiner* — Marianne Pandozzi

(74) *Attorney, Agent, or Firm* — Banner & Witcoff, Ltd.

(57) **CLAIM**

The ornamental design for a dispenser, as shown and described.

**DESCRIPTION**

FIG. 1 is a front, left perspective view of a dispenser showing our new design;

FIG. 2 is a front view thereof;

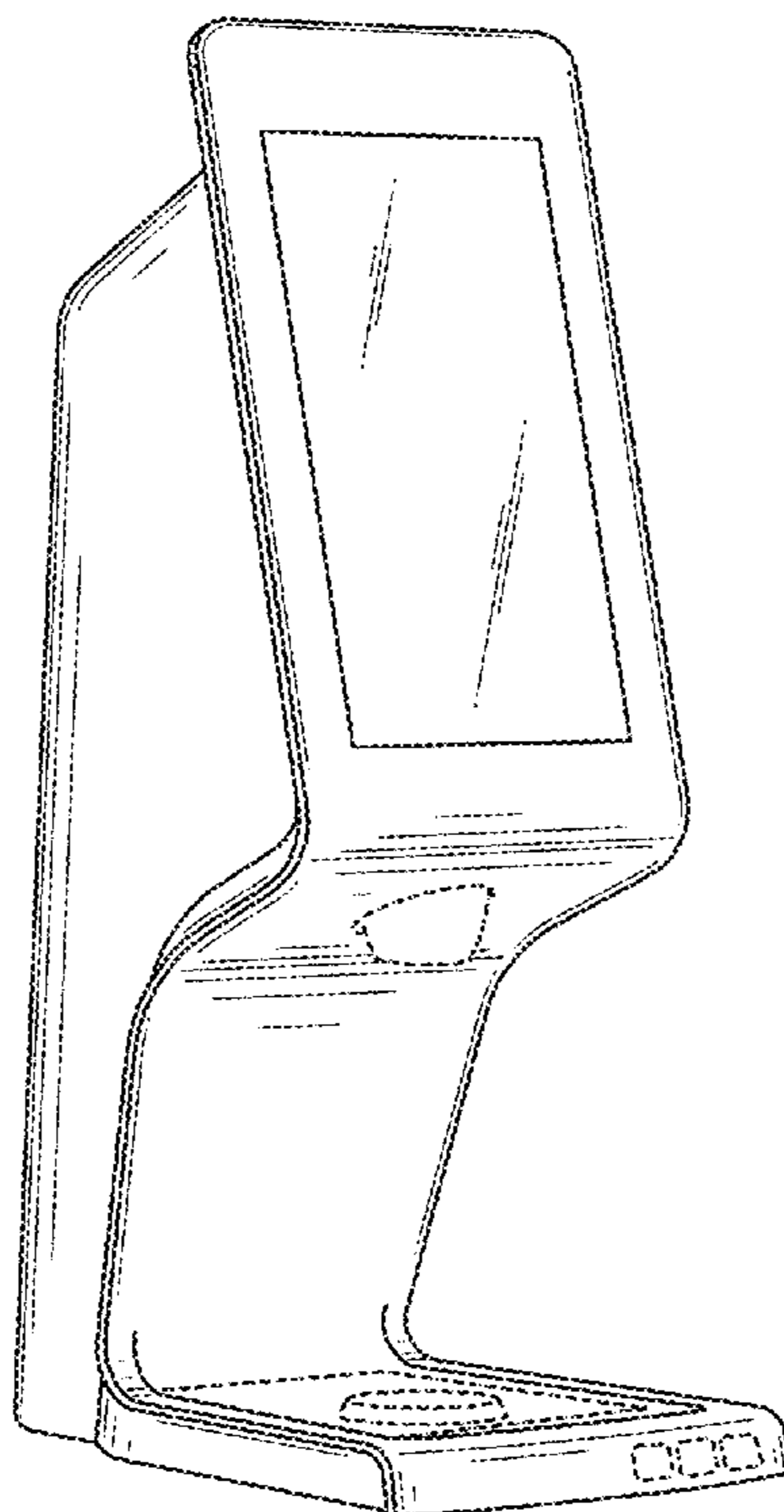
FIG. 3 is a right side view thereof;

FIG. 4 is a left side view thereof; and,

FIG. 5 is a top view thereof.

The broken lines immediately adjacent to the shaded area represent unclaimed boundaries of the design. The broken lines showing the remainder of the dispenser are for environmental purposes only and form no part of the claimed design.

**1 Claim, 5 Drawing Sheets**



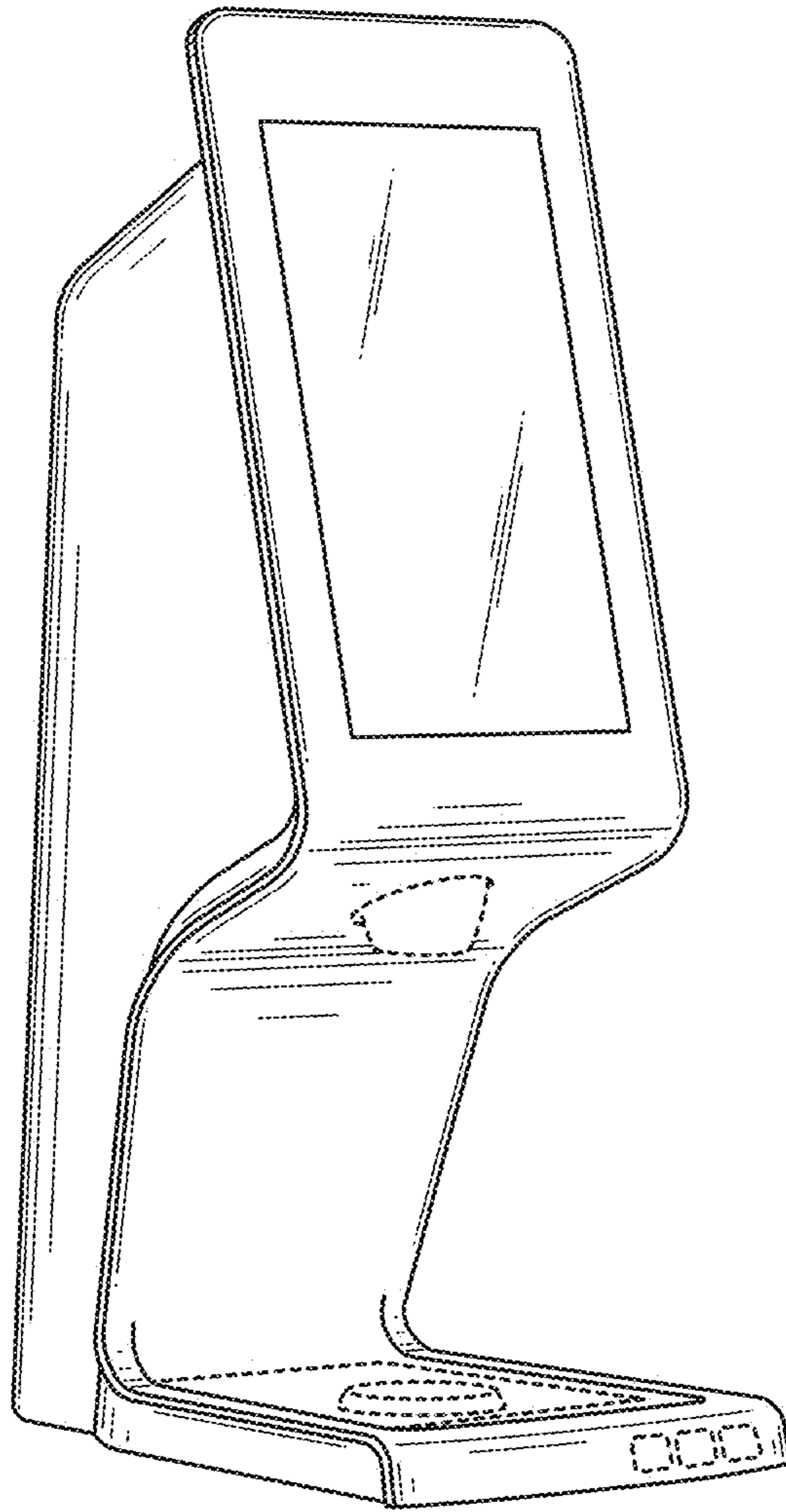


FIG. 1

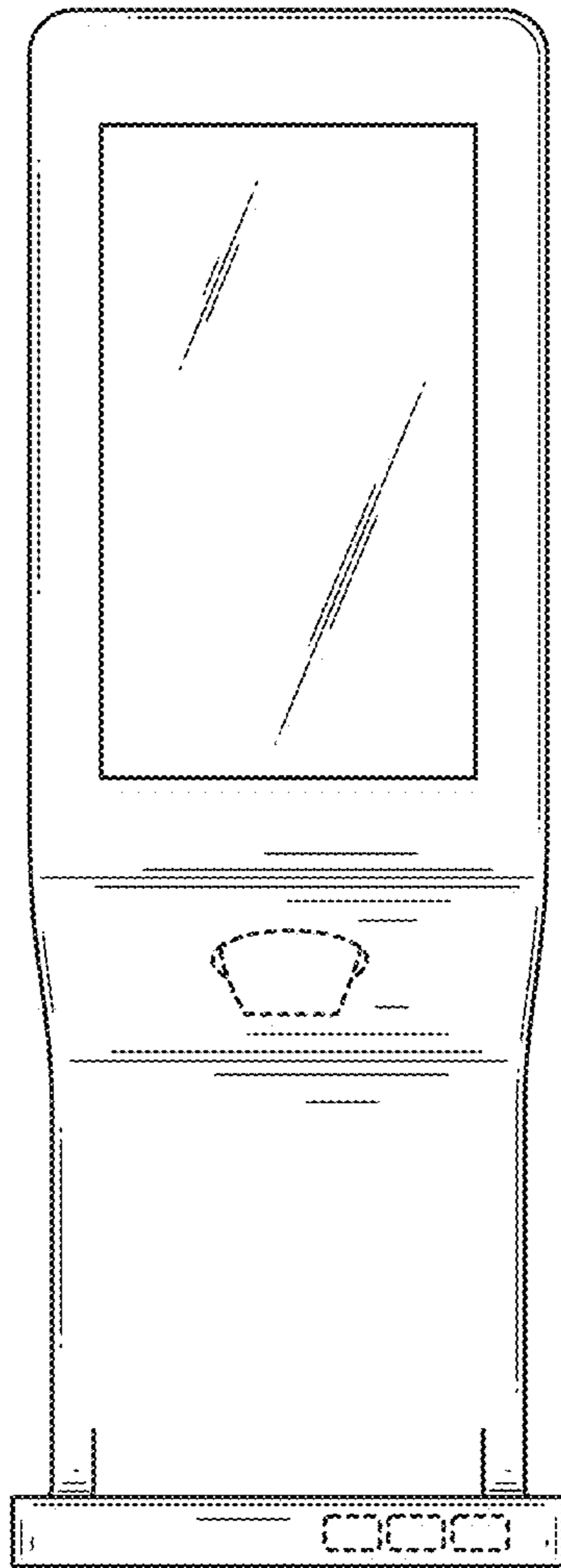


FIG. 2

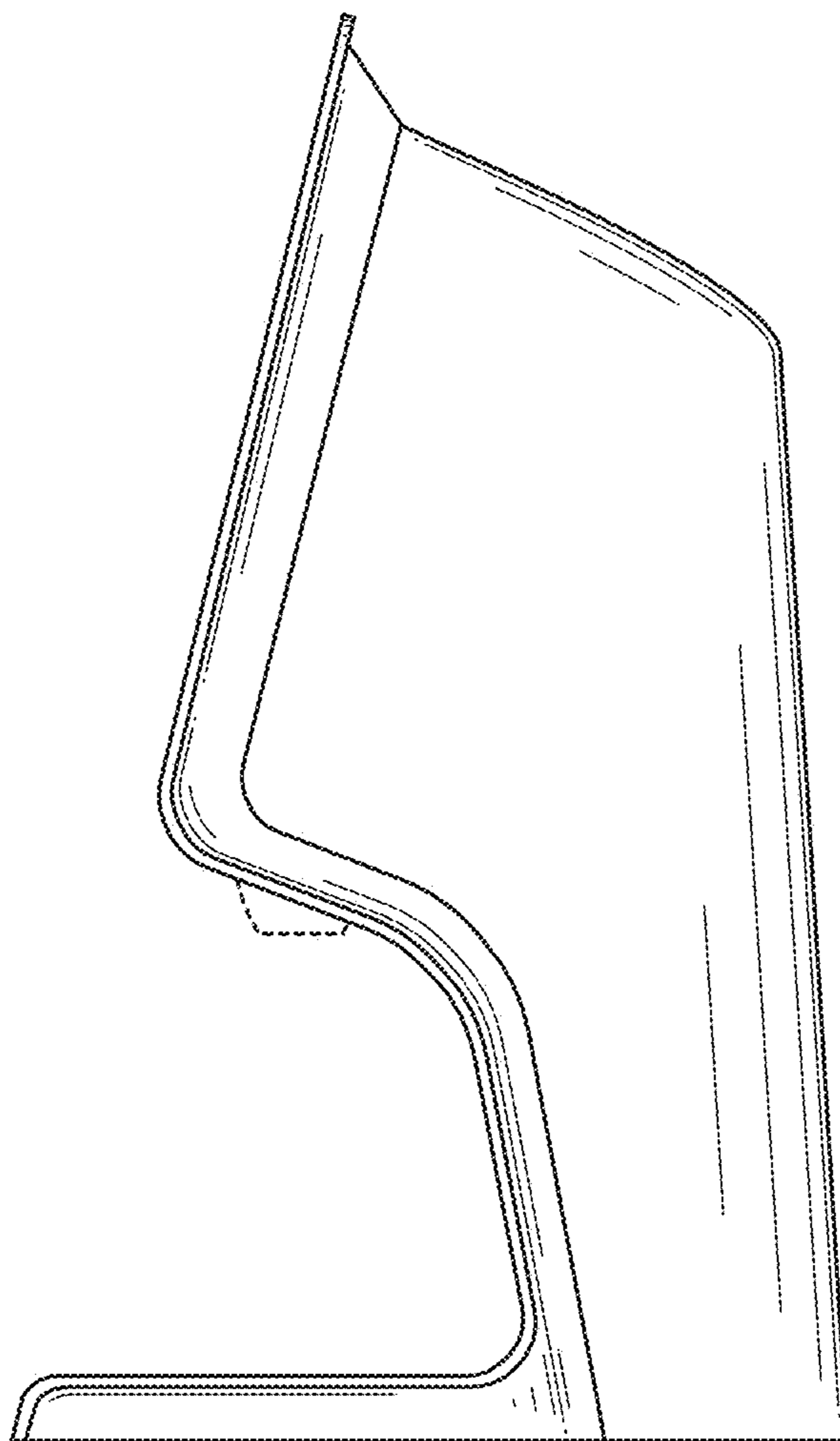


FIG. 3

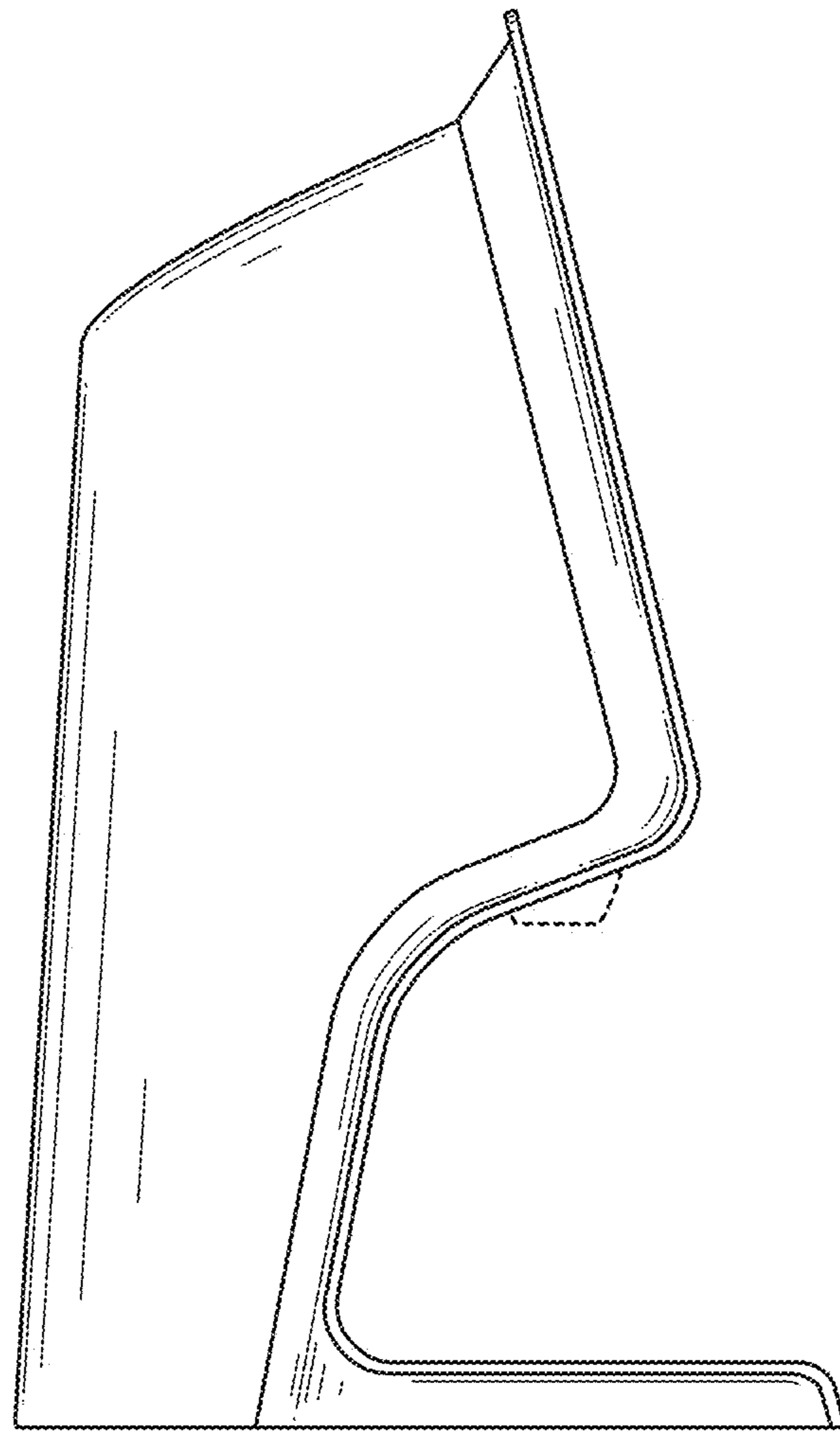


FIG. 4

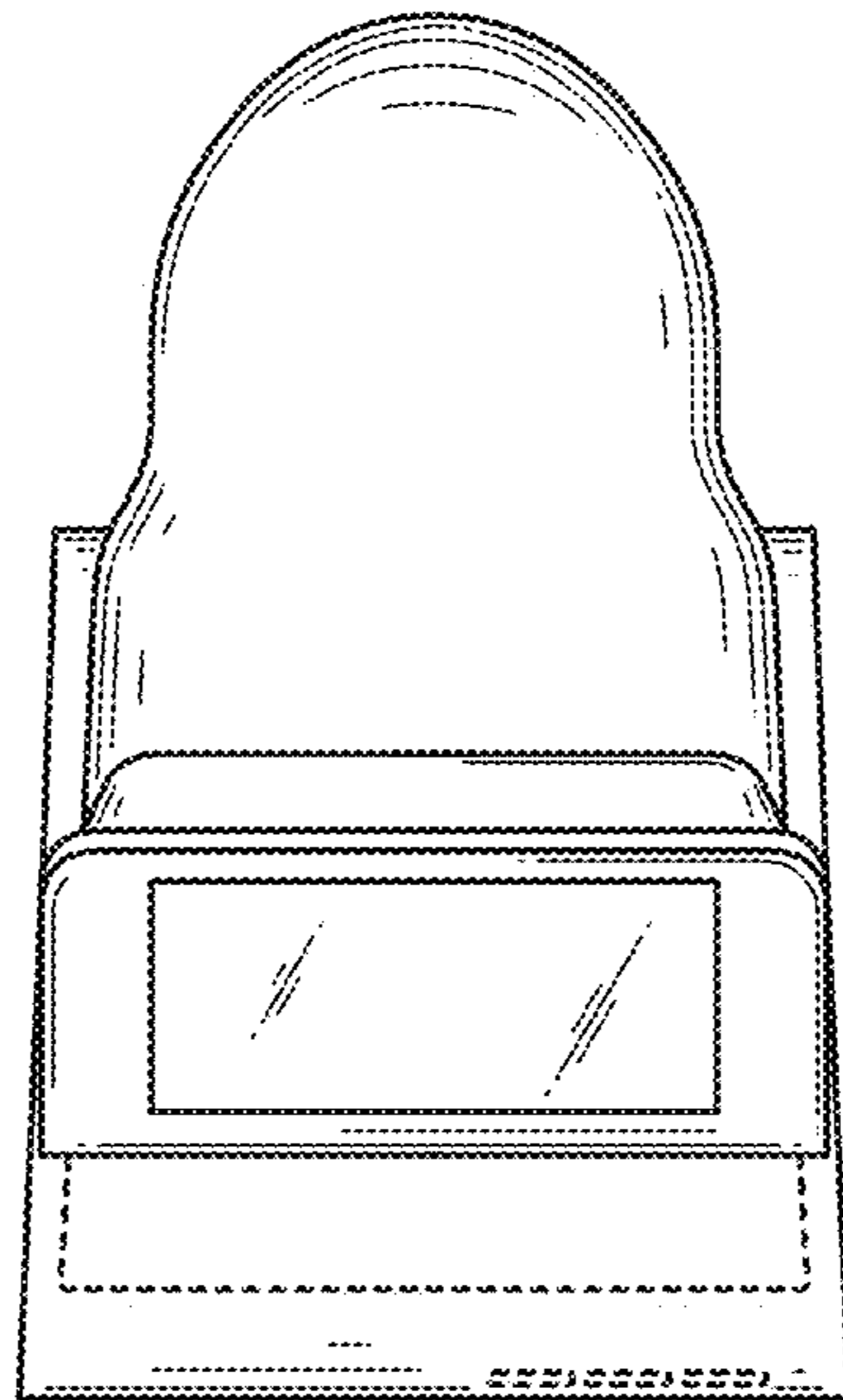


FIG. 5