



US00D704491S

(12) **United States Design Patent**
Van Dyke

(10) **Patent No.:** **US D704,491 S**

(45) **Date of Patent:** **** May 13, 2014**

(54) **BEVERAGE DISPENSING AND VISUAL MEDIA STATION**

- (71) Applicant: **AqwaStream, LLC**, Scottsdale, AZ (US)
- (72) Inventor: **Warren J. Van Dyke**, Scottsdale, AZ (US)
- (73) Assignee: **Aqwastream, LLC**, Scottsdale, AZ (US)

(**) Term: **14 Years**

(21) Appl. No.: **29/447,736**

(22) Filed: **Mar. 6, 2013**

(51) **LOC (10) Cl.** **07-01**

(52) **U.S. Cl.**
USPC **D7/305**; D7/306; D7/311

(58) **Field of Classification Search**
USPC D7/306-308, 311, 313, 301, 300, 305, D7/304; 220/720, 281, 714; 222/146.6, 222/146.1, 129.1; D9/636, 638; D25/6; 239/17; 219/438; D20/5; D23/207
See application file for complete search history.

(56) **References Cited**

U.S. PATENT DOCUMENTS

D223,890 S	*	6/1972	Hartley	D15/82
D290,330 S	*	6/1987	Lagace	D7/306
D408,207 S	*	4/1999	Bourke	D7/306
D440,255 S	*	4/2001	Dickson	D20/5
D648,971 S	*	11/2011	Goralski et al.	D7/306
D651,686 S		1/2012	Wilson		

OTHER PUBLICATIONS

Empson, *Evive Launches With \$2M From Angels To Help Cure Our Addiction To Bottled Water*, at <http://techcrunch.com/2012/05/03/evive-launch> (4 pages).

* cited by examiner

Primary Examiner — Marianne Pandozzi

(74) *Attorney, Agent, or Firm* — Stinson Leonard Street LLP

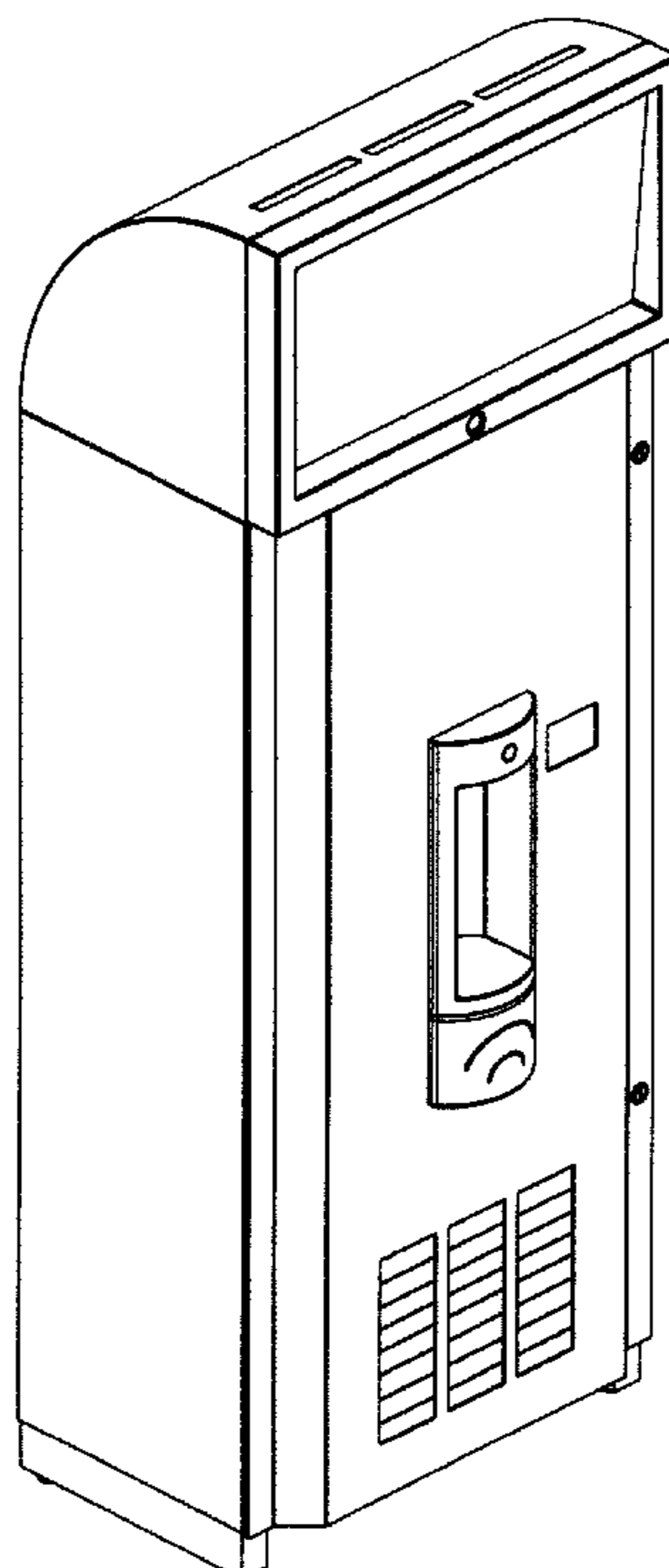
(57) **CLAIM**

The ornamental design for a beverage dispensing and visual media station, as shown and described.

DESCRIPTION

FIG. 1 is a perspective view of the beverage dispensing and visual media station;
FIG. 2 is a front view of the beverage dispensing and visual media station of FIG. 1;
FIG. 3 is a left side view of the beverage dispensing and visual media station of FIG. 1;
FIG. 4 is a right side view of the beverage dispensing and visual media station of FIG. 1;
FIG. 5 is a back elevational view of the beverage dispensing and visual media station of FIG. 1;
FIG. 6 is a top view of the beverage dispensing and visual media station of FIG. 1; and,
FIG. 7 is a bottom view of the beverage dispensing and visual media station of FIG. 1.

1 Claim, 5 Drawing Sheets



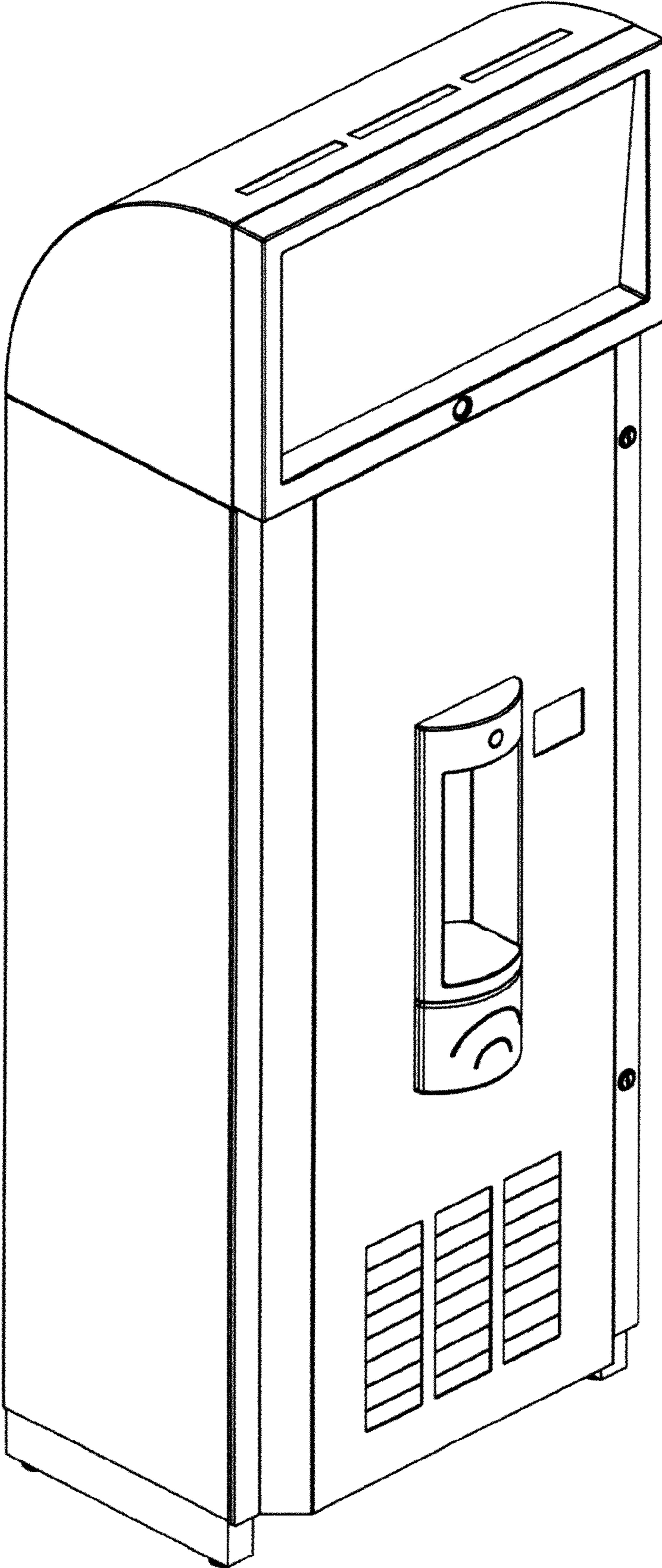


FIG. 1

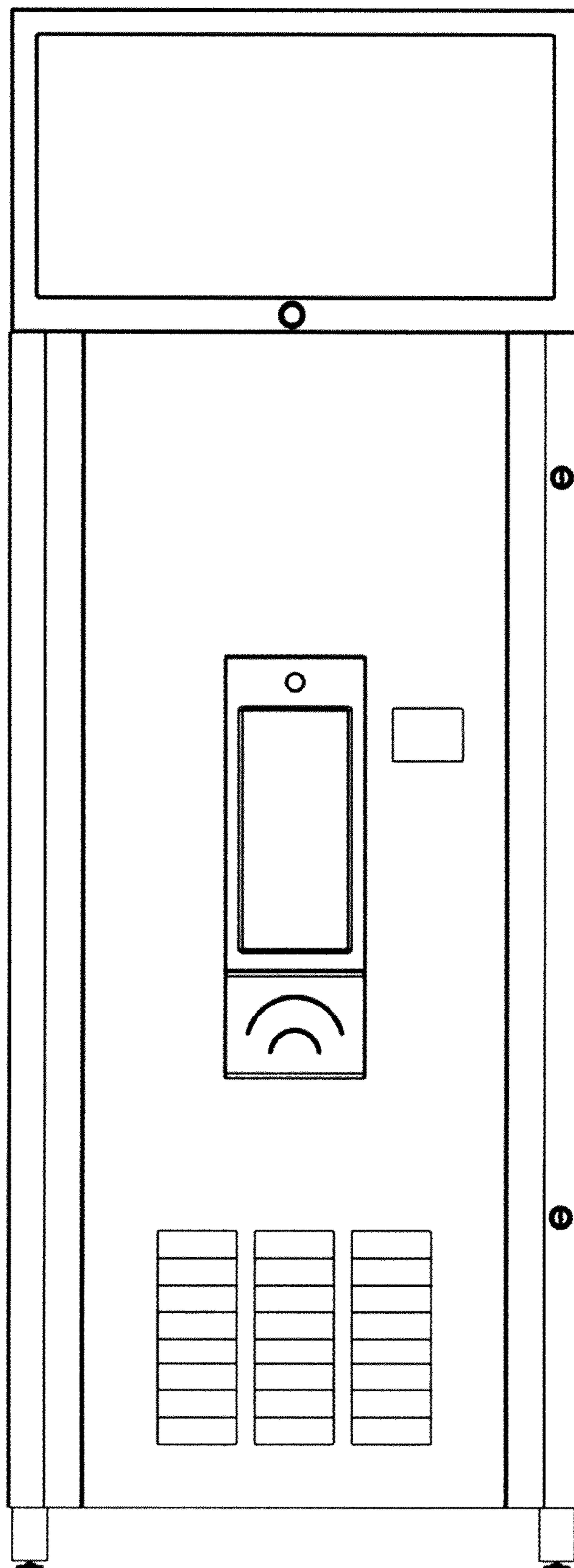


FIG. 2

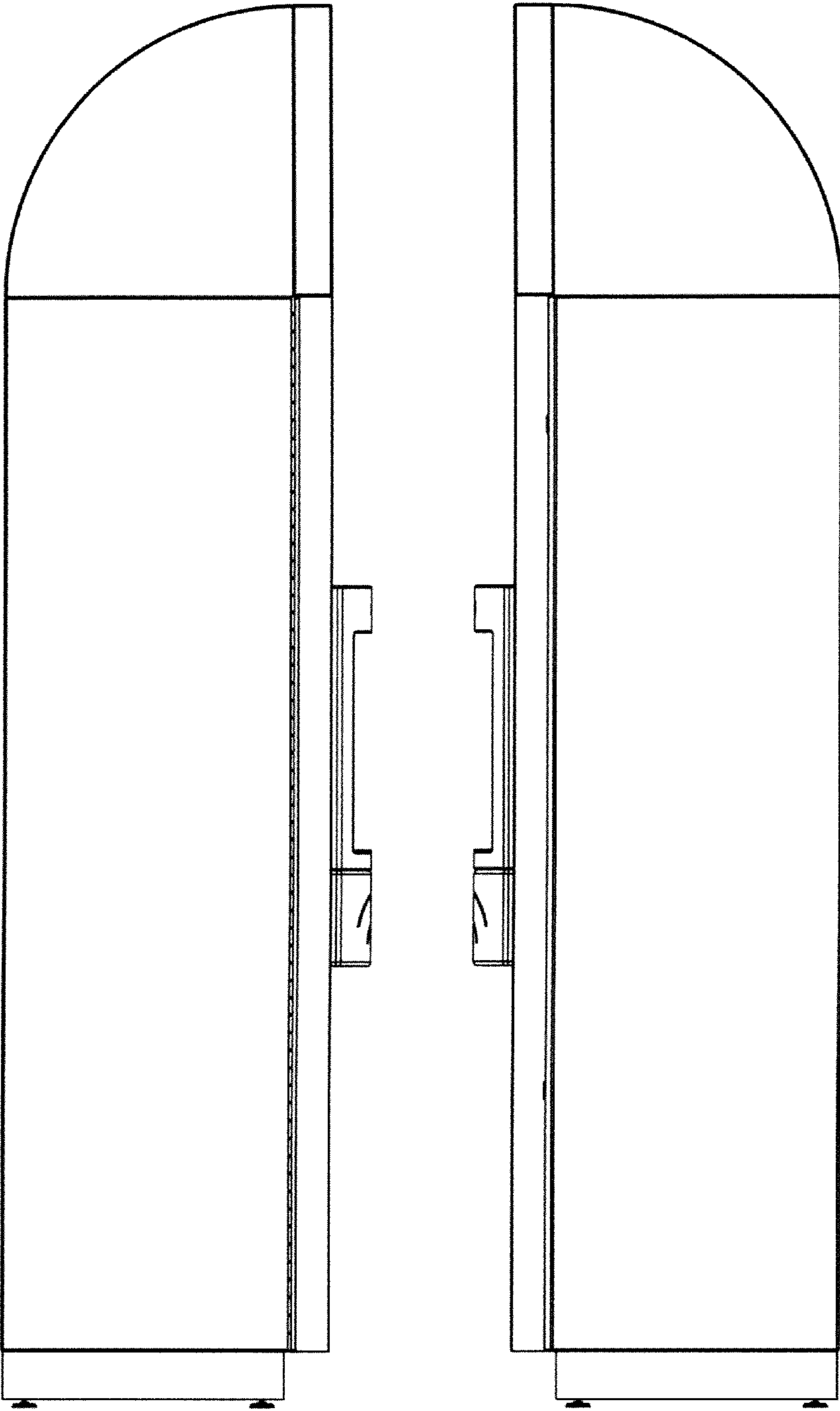


FIG. 3

FIG. 4

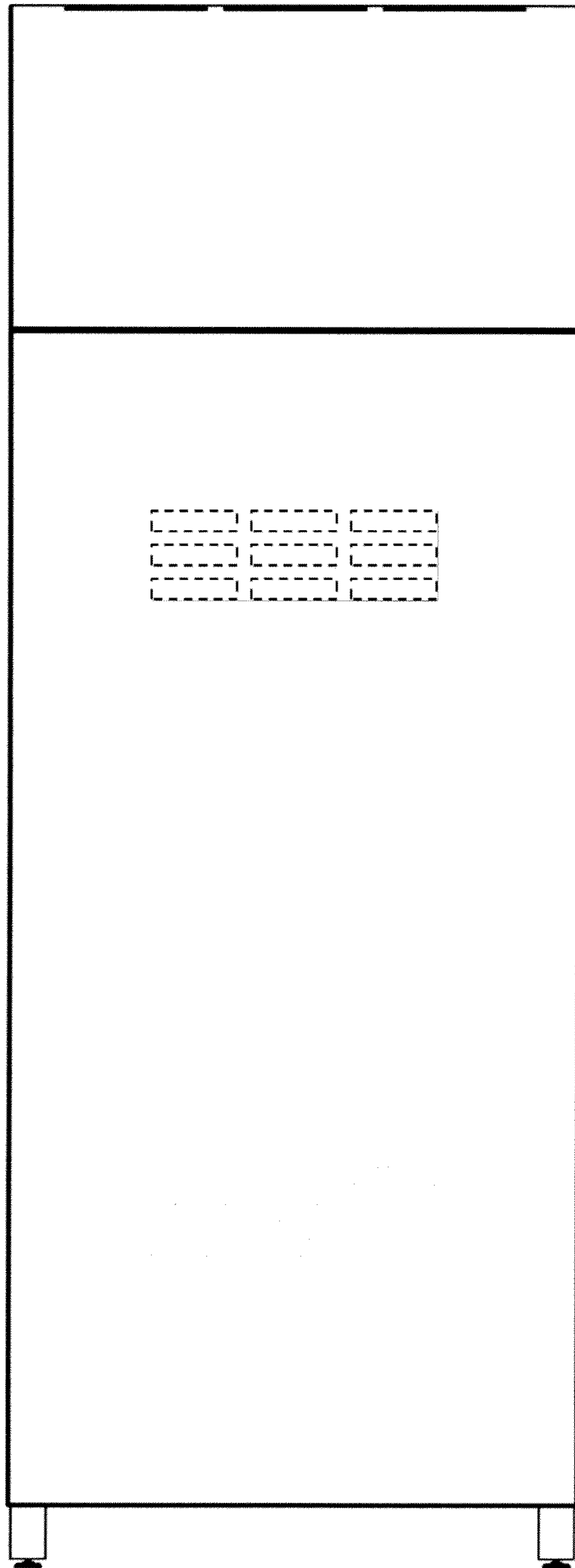


FIG. 5

FIG. 6

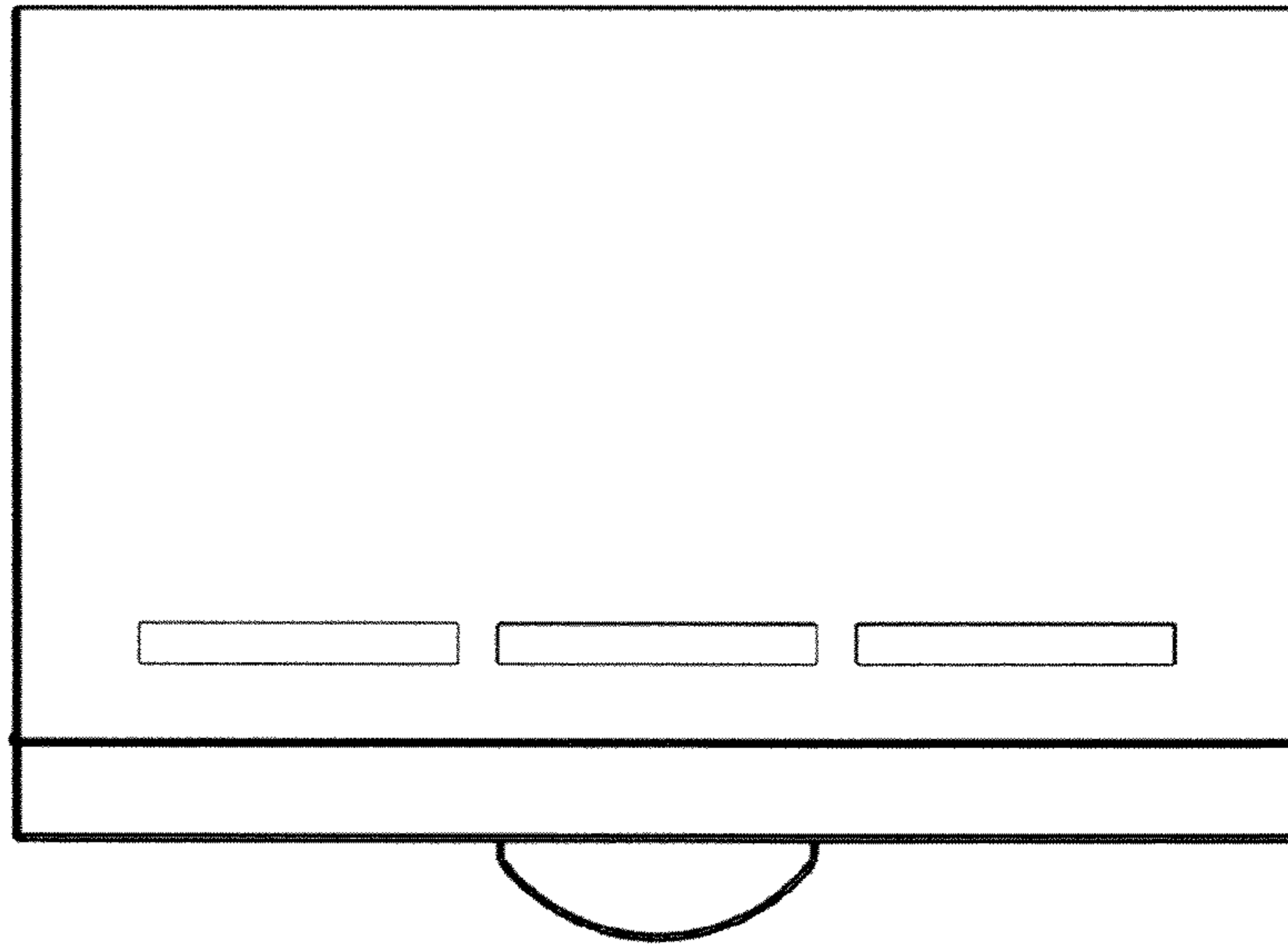


FIG. 7

