



US00D704490S

(12) **United States Design Patent**  
**Kumazawa**

(10) **Patent No.:** **US D704,490 S**

(45) **Date of Patent:** **\*\* May 13, 2014**

(54) **CHAIR**

(75) Inventor: **Taku Kumazawa**, Ichinomiya (JP)

(73) Assignee: **Aichi Co., Ltd.**, Nagoya-shi (JP)

(\*\*) Term: **14 Years**

(21) Appl. No.: **29/430,178**

(22) Filed: **Aug. 22, 2012**

(30) **Foreign Application Priority Data**

Feb. 29, 2012 (JP) ..... 2012-004331

(51) **LOC (10) Cl.** ..... **06-01**

(52) **U.S. Cl.**  
USPC ..... **D6/716.7**

(58) **Field of Classification Search**  
USPC ..... D6/333-336, 344-356, 360-381, 388,  
D6/403, 491-502, 604, 708, 716,  
D6/716.1-716.4; 5/53.1; 52/848; 29/426.6;  
198/666; 248/68.1; 256/65.03, 65.04;  
297/3, 16.1, 22, 31, 35, 135, 217.1,  
297/228.1, 228.12, 248, 250.1, 256.16,  
297/271.6, 284.4-284.5, 291, 297, 302.4,  
297/411.2, 411.23, 411.27-411.29, 411.43,  
297/423.1, 423.12, 440.1, 440.15,  
297/440.21-440.24, 445.1, 446,  
297/448.1-448.2, 452.13, 452.19, 452.21,  
297/452.27, 452.29, 452.3, 452.41, 452.56,  
297/452.642; 403/314

See application file for complete search history.

(56) **References Cited**

**U.S. PATENT DOCUMENTS**

4,691,818 A \* 9/1987 Weber ..... 198/666  
4,903,354 A \* 2/1990 Yeh ..... 5/53.1  
5,104,192 A \* 4/1992 Gianfranchi ..... 297/445.1  
5,383,712 A \* 1/1995 Perry ..... 297/448.2

5,628,580 A \* 5/1997 Rinderer ..... 403/314  
5,720,567 A \* 2/1998 Rinderer ..... 403/314  
5,961,184 A \* 10/1999 Balderi et al. .... 297/448.1  
6,634,717 B2 \* 10/2003 Kown ..... 297/446.2  
6,811,215 B2 \* 11/2004 Horiki et al. .... 297/228.1  
6,837,546 B2 \* 1/2005 VanDeRiet et al. .... 297/440.1  
7,125,002 B2 \* 10/2006 Platt ..... 256/65.04  
7,216,855 B2 \* 5/2007 Platt ..... 256/65.03  
D558,478 S \* 1/2008 Rothe ..... D6/373  
D600,052 S \* 9/2009 Smith et al. .... D6/502  
D600,465 S \* 9/2009 Kumazawa ..... D6/373  
7,832,180 B2 \* 11/2010 Dolby ..... 52/848  
RE42,027 E \* 1/2011 Kumazawa ..... D6/373  
7,896,295 B2 \* 3/2011 Beck ..... 248/68.1  
D648,150 S \* 11/2011 Kumazawa ..... D6/373

(Continued)

*Primary Examiner* — Ricky Pham

(74) *Attorney, Agent, or Firm* — Vincent K. Gustafson;  
Jenkins, Wilson, Taylor & Hunt, P.A.

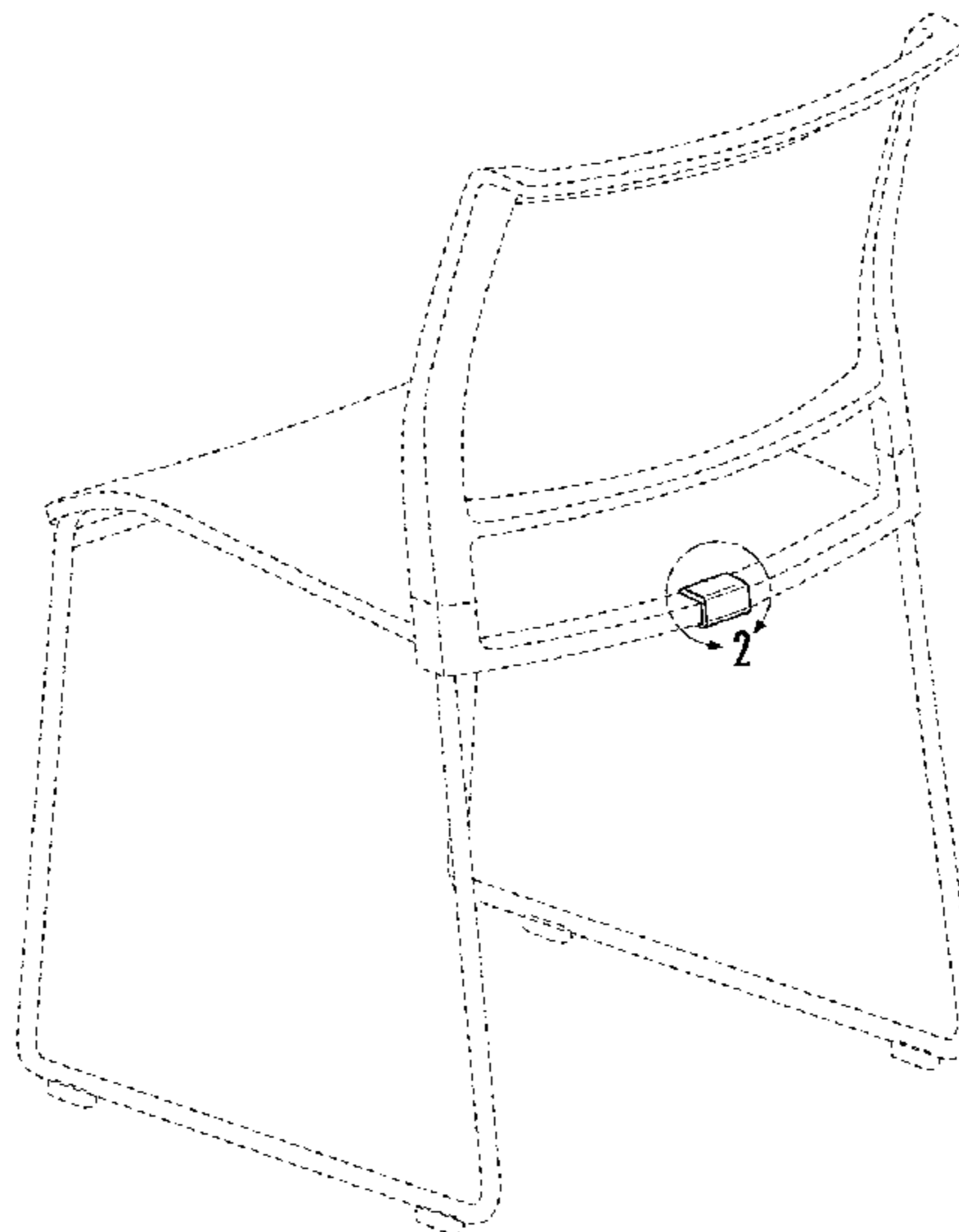
(57) **CLAIM**

The ornamental design for a chair, as shown and described.

**DESCRIPTION**

FIG. 1 is a perspective view of a chair showing my design;  
FIG. 2 is a magnified perspective view of a portion of the chair  
according to circumscribing line 2 shown in FIG. 1;  
FIG. 3 is a front elevation view of the chair;  
FIG. 4 is a rear elevation view of the chair;  
FIG. 5 is a left side elevation view of the chair; the right side  
elevation view being a mirror image of the left side elevation  
view;  
FIG. 6 is a magnified left side elevation view of a portion of  
the chair according to circumscribing line 6 shown in FIG. 5;  
FIG. 7 is a top plan view of the chair; and,  
FIG. 8 is a bottom plan view of the chair.  
The broken lines showing is included for the purpose of  
illustrating environment of the design and forms no part of the  
claimed design.

**1 Claim, 6 Drawing Sheets**



(56)

**References Cited**

U.S. PATENT DOCUMENTS

D656,335 S \* 3/2012 Kumazawa ..... D6/373  
D668,072 S \* 10/2012 Kumazawa ..... D6/373  
D669,278 S \* 10/2012 Kumazawa ..... D6/373

D675,843 S \* 2/2013 Kumazawa ..... D6/373  
8,365,384 B2 \* 2/2013 Ferris et al. .... 29/426.6  
D685,208 S \* 7/2013 Kumazawa ..... D6/716.3  
2003/0193229 A1 \* 10/2003 VanDeRiet et al. .... 297/411.23

\* cited by examiner

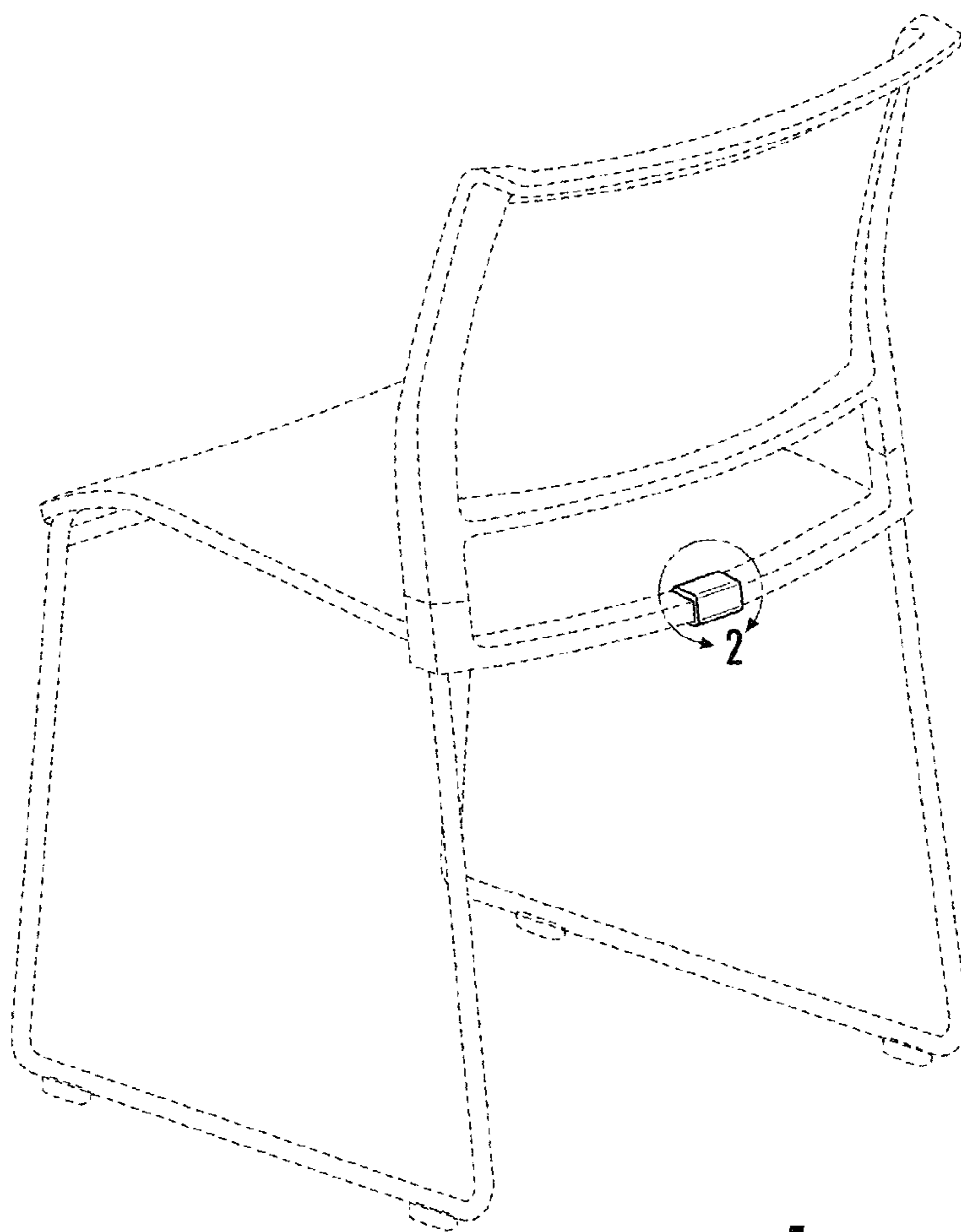


FIG. 1

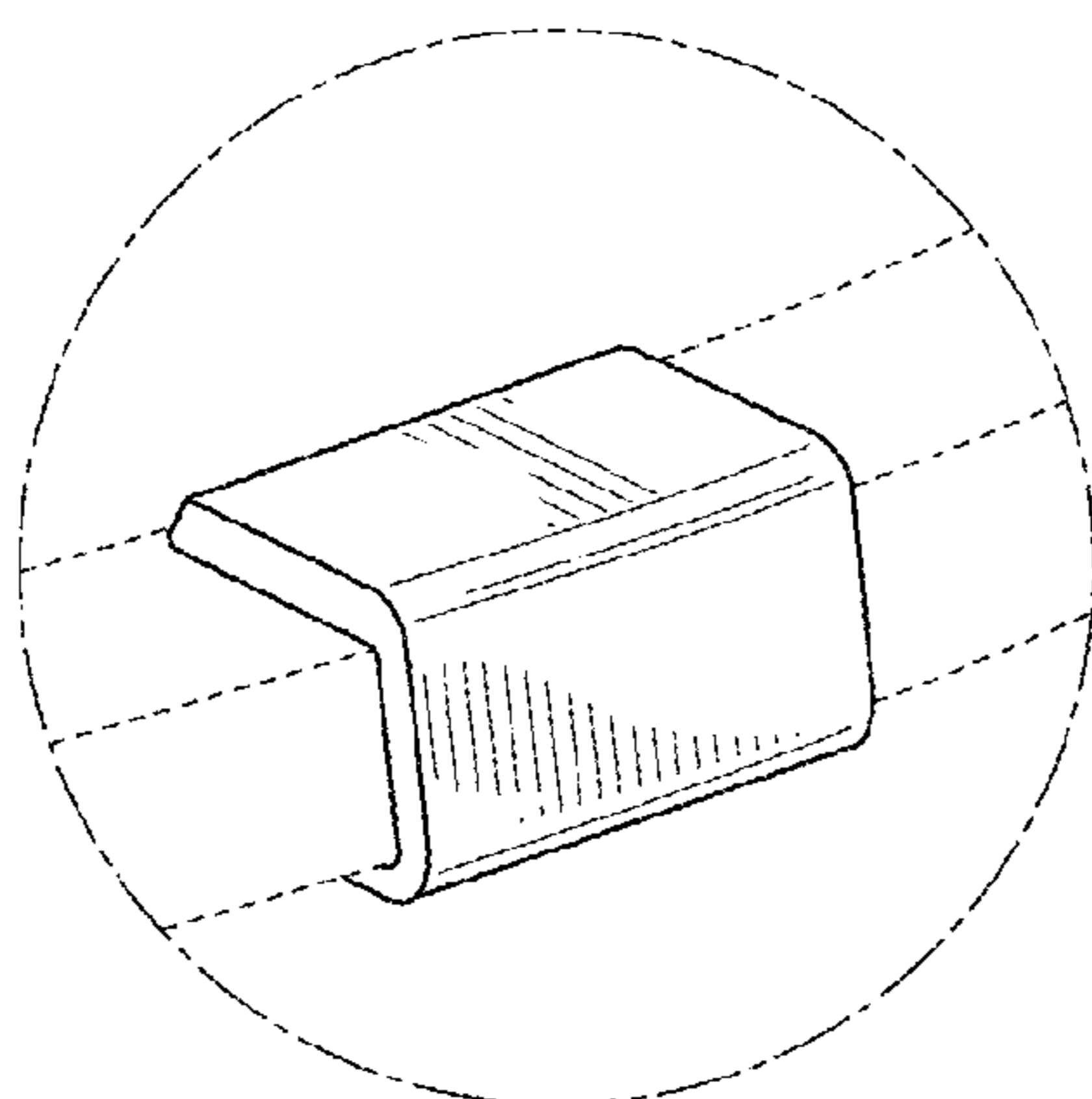


FIG. 2

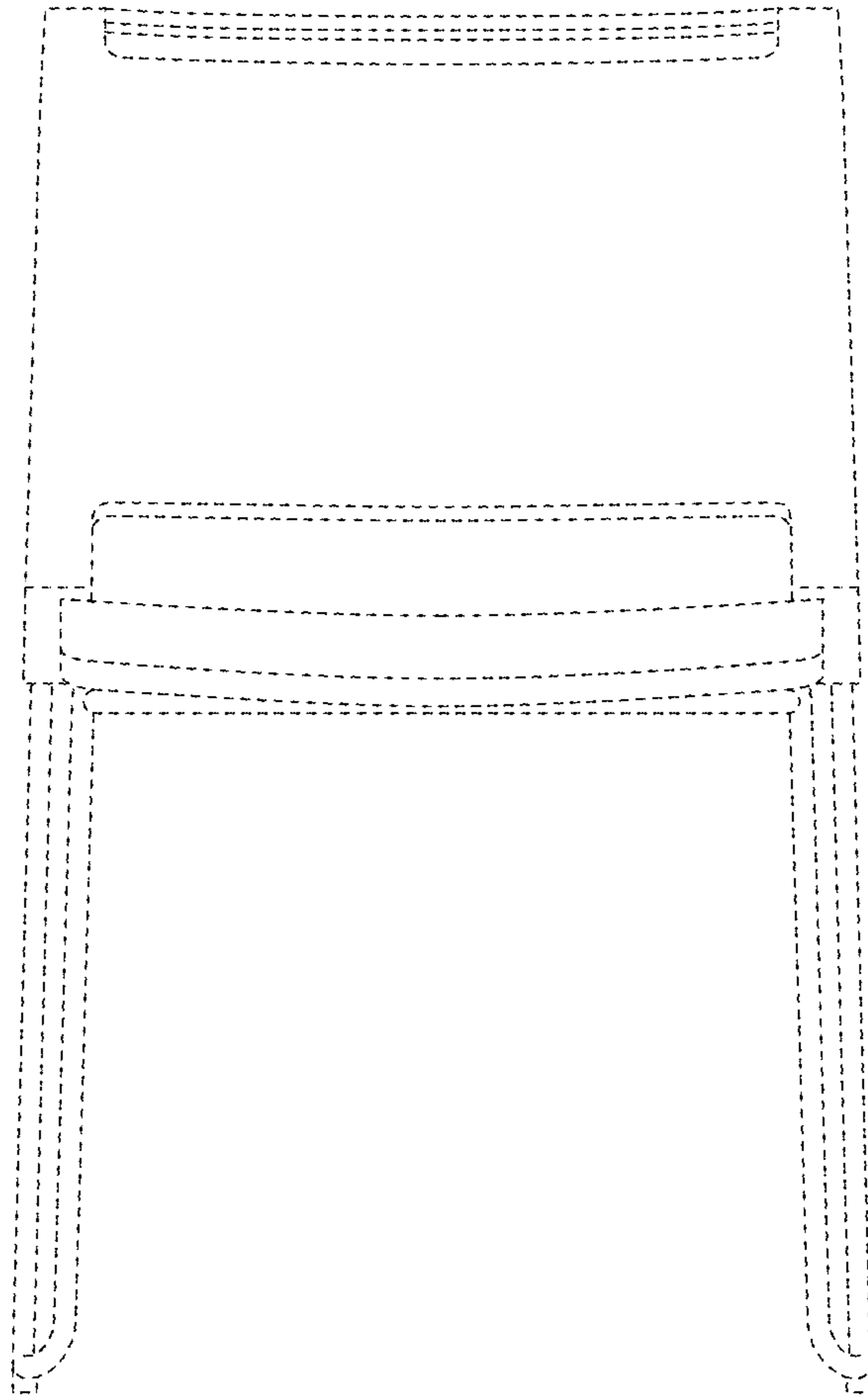


FIG. 3

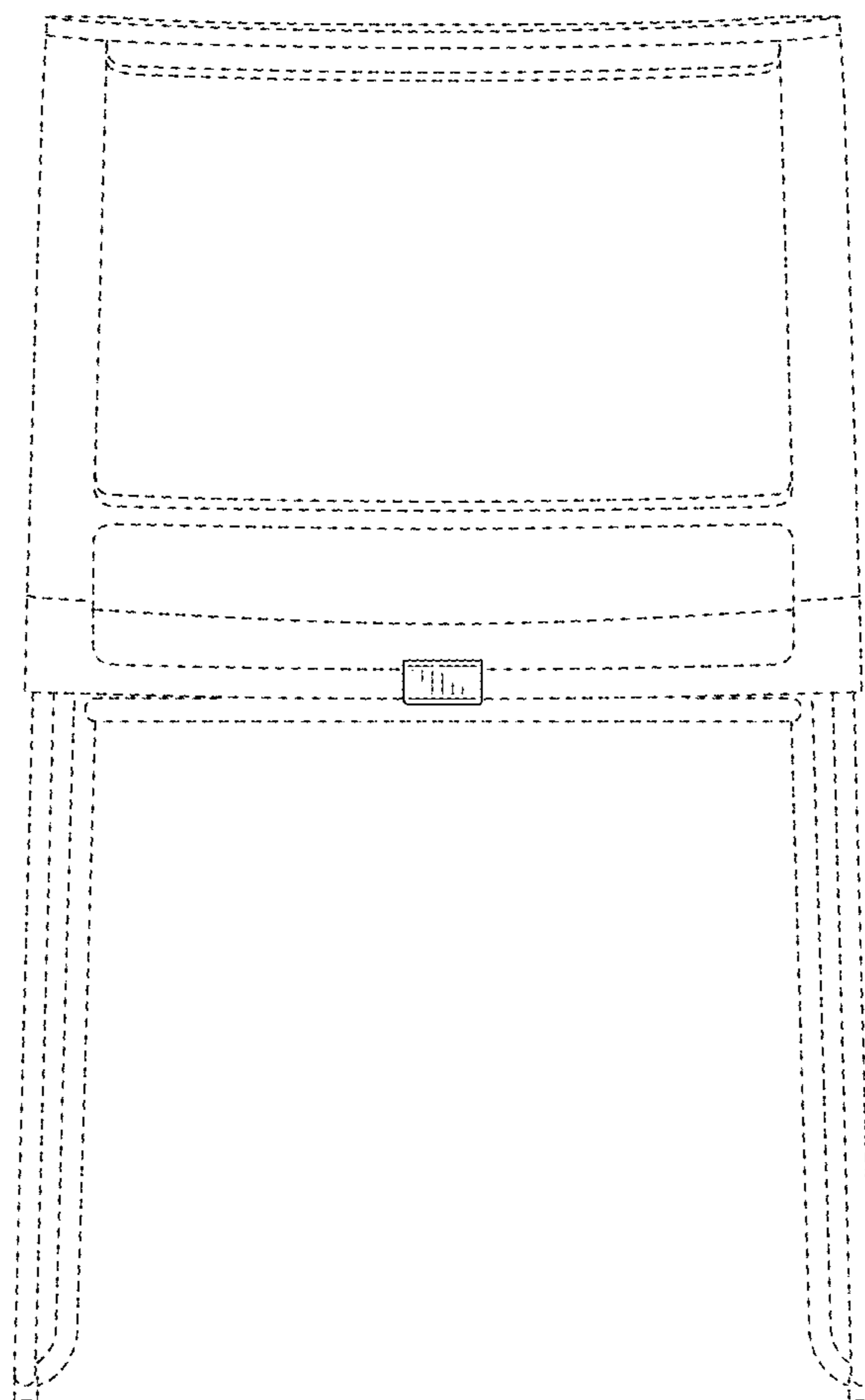


FIG. 4

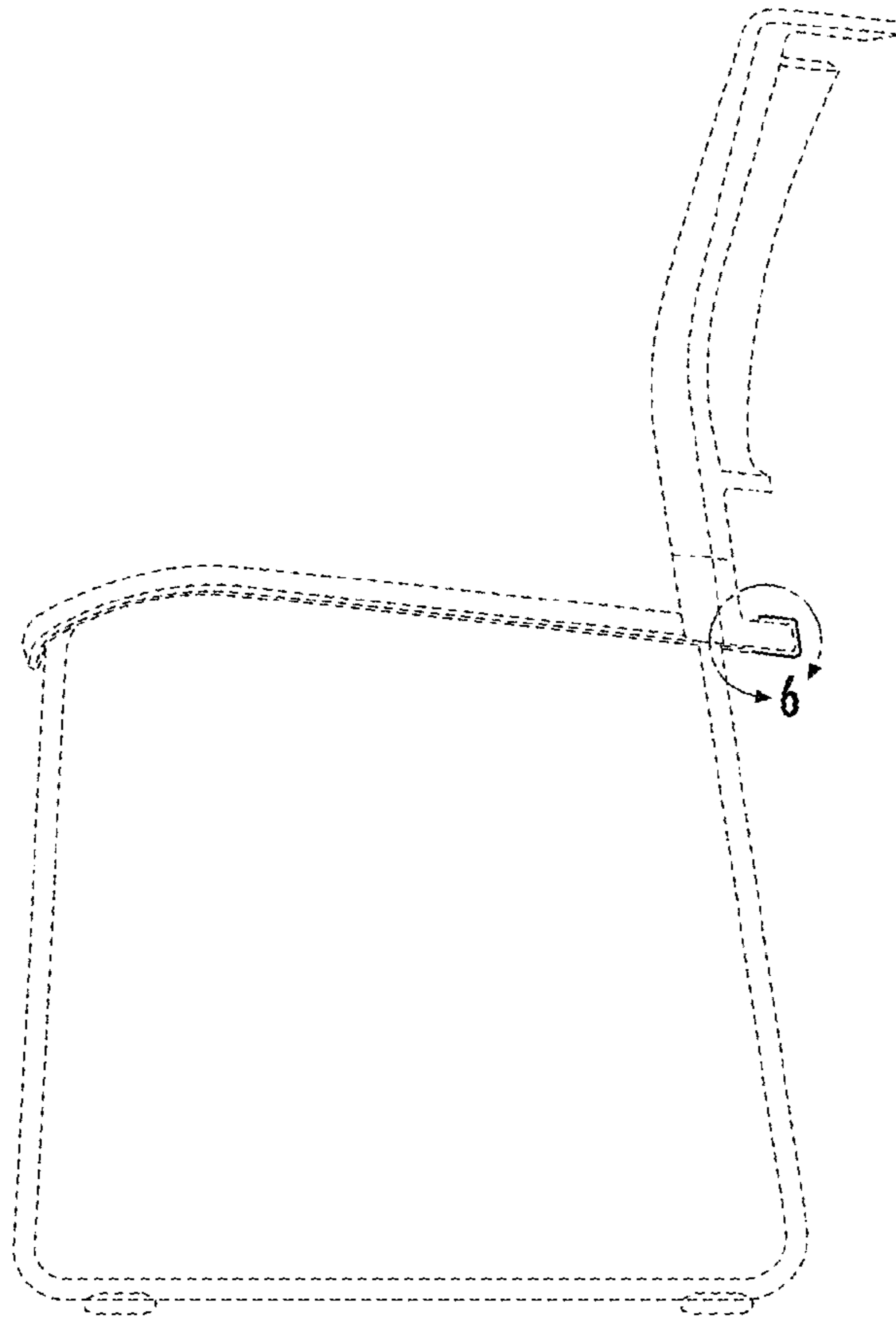


FIG. 5

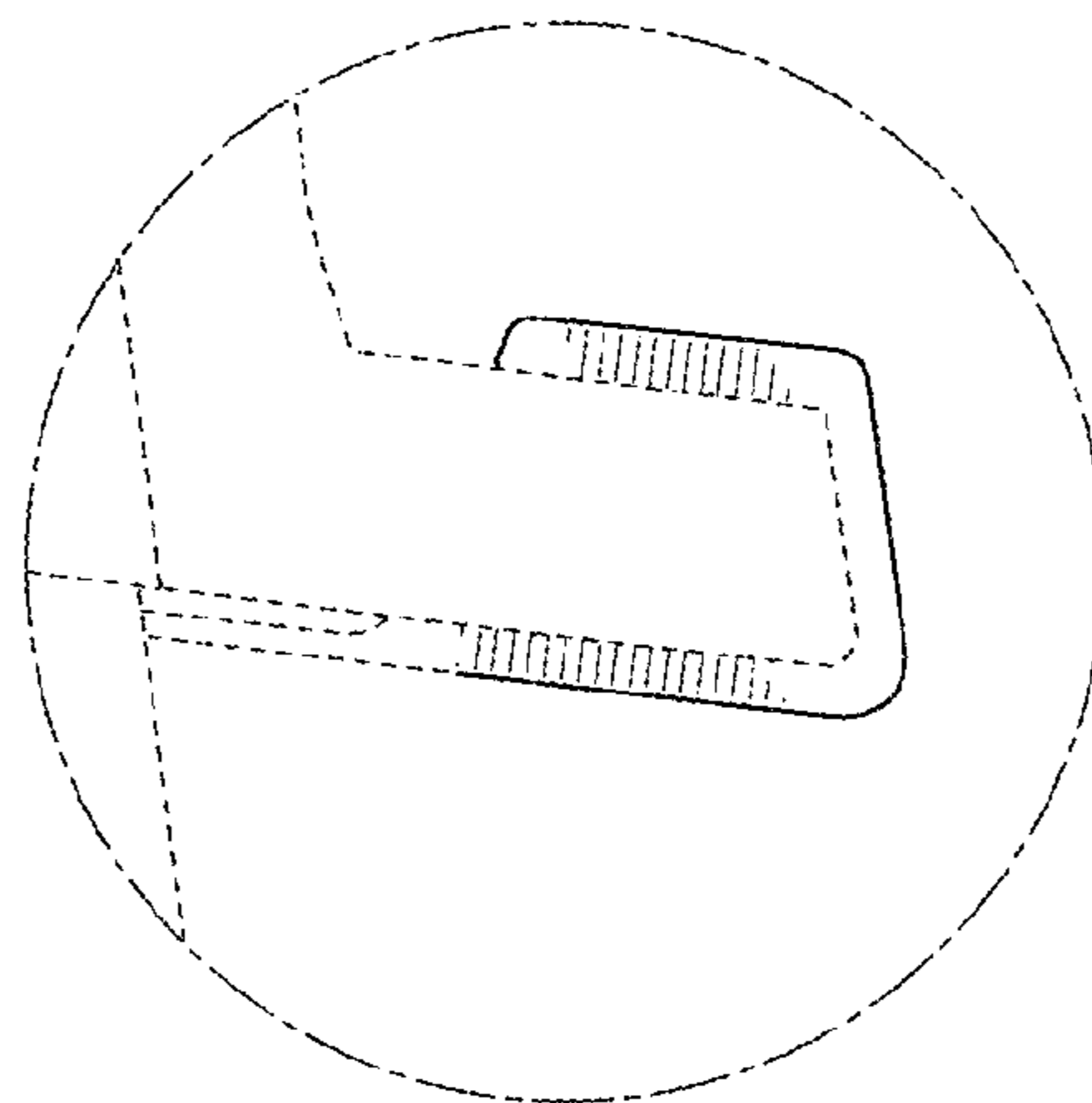
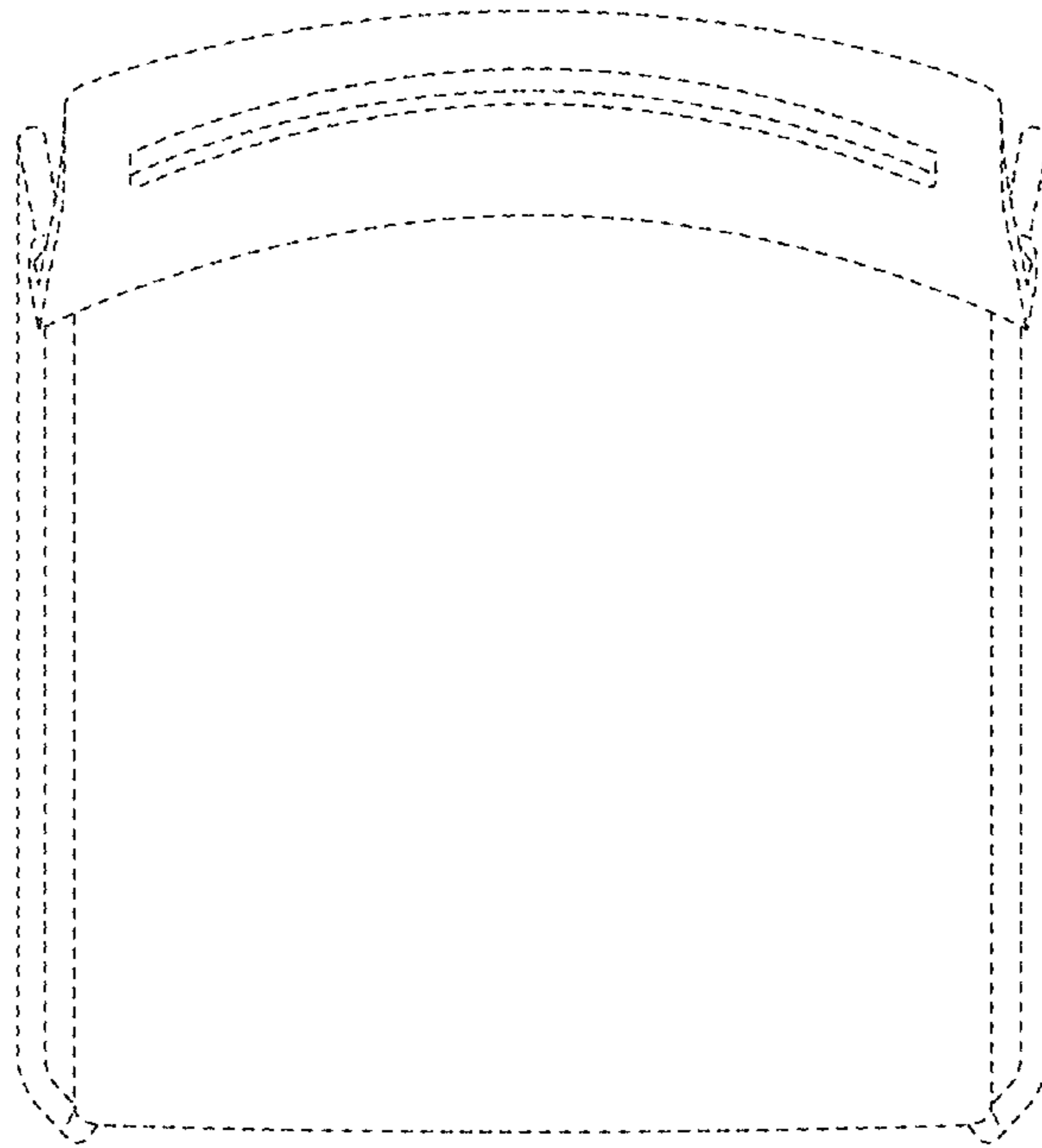
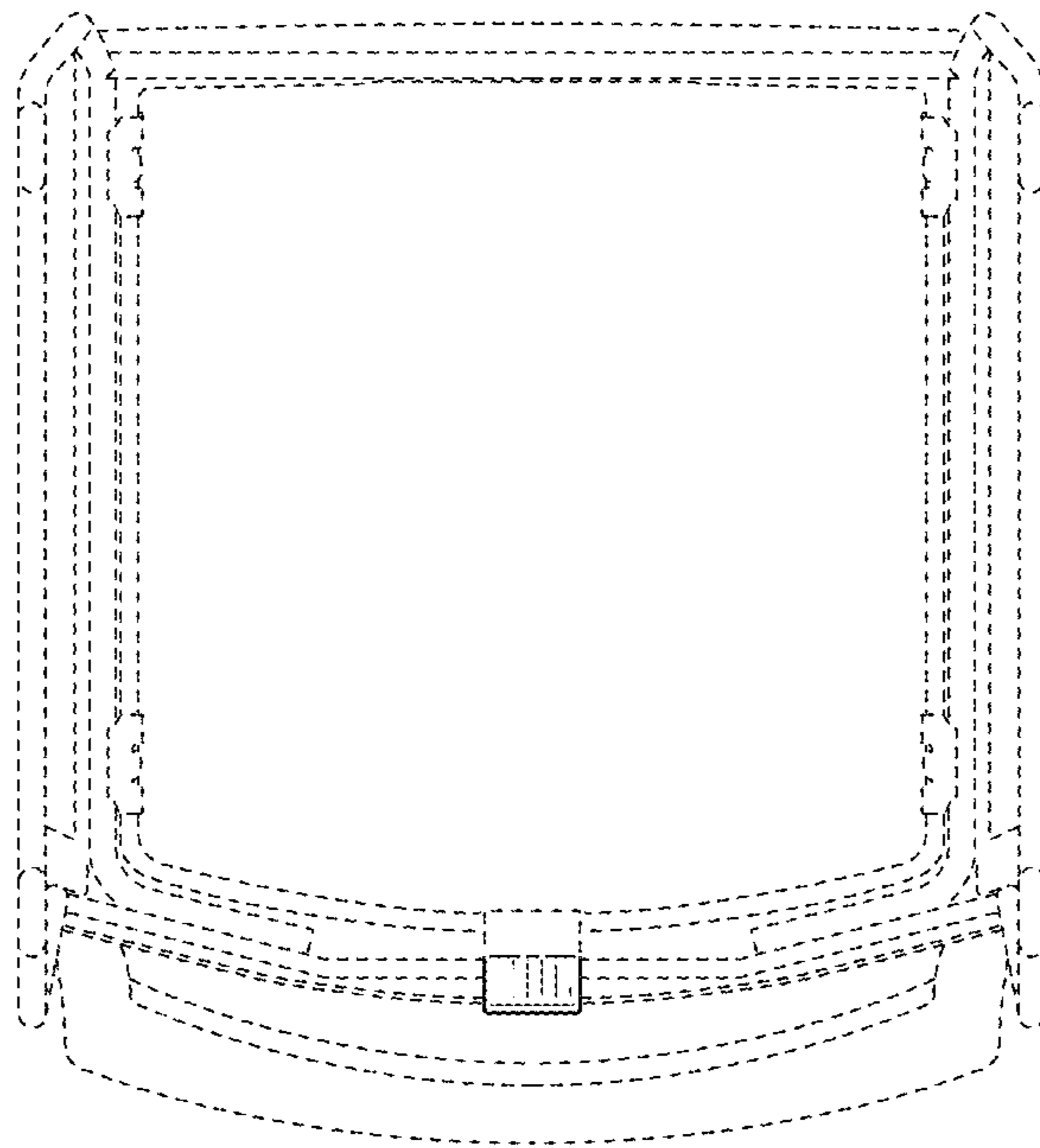


FIG. 6



**FIG. 7**



**FIG. 8**