



US00D704488S

(12) **United States Design Patent**  
**Massaud**

(10) **Patent No.:** **US D704,488 S**  
(45) **Date of Patent:** **\*\* May 13, 2014**

(54) **LOUNGE CHAIR**

(71) Applicant: **Steelcase Inc.**, Grand Rapids, MI (US)

(72) Inventor: **Jean-Marie Massaud**, Paris (FR)

(73) Assignee: **Steelcase Inc.**, Grand Rapids, MI (US)

(\*\*) Term: **14 Years**

(21) Appl. No.: **29/472,282**

(22) Filed: **Nov. 11, 2013**

**Related U.S. Application Data**

(63) Continuation of application No. 29/455,056, filed on May 16, 2013.

(51) **LOC (10) Cl.** ..... **06-01**

(52) **U.S. Cl.**  
USPC ..... **D6/716**

(58) **Field of Classification Search**  
USPC ..... D6/334-336, 364, 365, 366, 367, 374,  
D6/375, 716, 716.1, 716.2, 716.3, 716.4;  
297/317, 344.21, 451.4, 451.5, 452.32,  
297/452.35  
See application file for complete search history.

(56) **References Cited**

**U.S. PATENT DOCUMENTS**

270,224 A	1/1883	Johnson et al.	
2,845,699 A	8/1958	Woodard	
2,989,112 A	6/1961	Sonnleitner	
D191,705 S	* 11/1961	Galloway	D6/365
D195,401 S	6/1963	Johnson	
D196,429 S	10/1963	Johnson	
3,441,310 A	4/1969	Gale	
3,521,929 A	7/1970	Pearson	
D227,201 S	* 6/1973	Scott	D6/365

D227,829 S	7/1973	Klose	
D228,371 S	9/1973	Gill	
D245,886 S	9/1977	Wilson	
4,093,305 A	6/1978	Staroste et al.	
D261,702 S	11/1981	Whalen	
4,427,232 A	1/1984	Malm	
D282,221 S	1/1986	Platner	
D286,105 S	* 10/1986	Goldman	D6/365
D288,388 S	2/1987	Ochsner	
D298,088 S	10/1988	Haukvik et al.	

(Continued)

**OTHER PUBLICATIONS**

Vitra Organic Chair—<http://www.smow.com/en/products/seating/lounge-waiting/organic-highback.html>—at least as early as Feb. 1, 2012.

(Continued)

*Primary Examiner* — Mimoso De

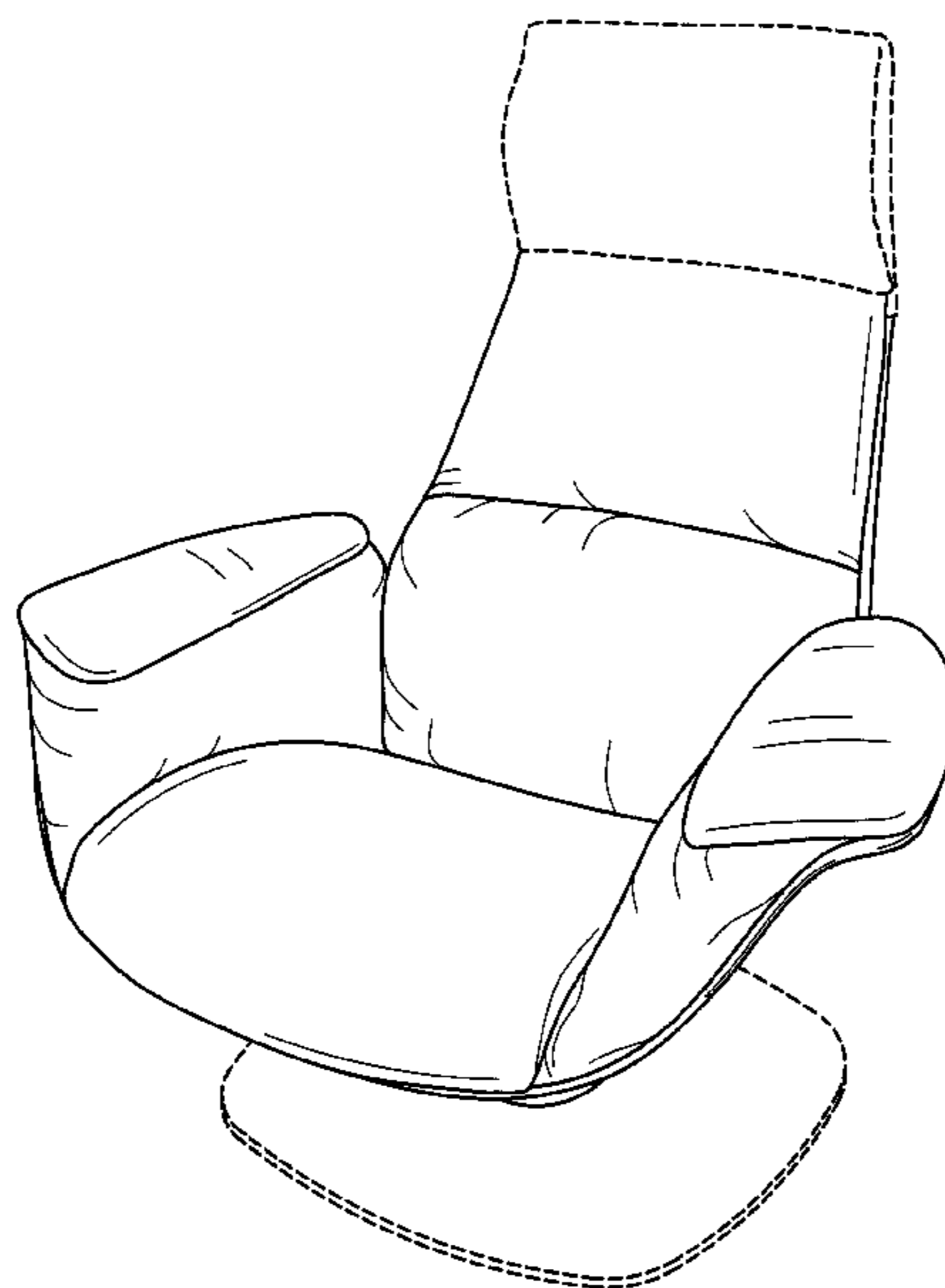
(57) **CLAIM**

I claim the ornamental design for a lounge chair, as shown and described.

**DESCRIPTION**

FIG. 1 is an elevated front perspective view of a lounge chair; FIG. 2 is a front perspective view of the lounge chair of FIG. 1; FIG. 3 is a rear perspective view of the lounge chair of FIG. 1; FIG. 4 is a right side perspective view of the lounge chair of FIG. 1; FIG. 5 is a left side perspective view of the lounge chair of FIG. 1; FIG. 6 is a top plan view of the lounge chair of FIG. 1; and, FIG. 7 is a bottom plan view of the lounge chair of FIG. 1. The dashed lines are for purposes of illustrating environmental structure and form no part of the claimed design.

**1 Claim, 7 Drawing Sheets**



(56)

References Cited

U.S. PATENT DOCUMENTS

D298,491 S \* 11/1988 Haukvik et al. .... D6/367  
 D316,936 S \* 5/1991 Ekornes et al. .... D6/365  
 D324,460 S 3/1992 Murray  
 D330,810 S 11/1992 Stafford  
 D336,376 S 6/1993 Hollington  
 D350,033 S 8/1994 Beaulieu  
 5,395,157 A 3/1995 Rollo et al.  
 D378,171 S 2/1997 Liu  
 D414,630 S \* 10/1999 Buscio et al. .... D6/716  
 D414,965 S \* 10/1999 Zaidman ..... D6/716  
 D430,740 S 9/2000 Chun  
 D439,449 S 3/2001 Klinkhammer  
 D443,991 S 6/2001 Picotti  
 D467,747 S \* 12/2002 Zaidman ..... D6/365  
 6,644,736 B2 11/2003 Nguyen et al.  
 D494,769 S 8/2004 Vigneaud  
 D508,616 S 8/2005 Ziliani  
 D508,787 S 8/2005 Natuzzi  
 D508,788 S 8/2005 Natuzzi  
 D508,789 S \* 8/2005 Natuzzi ..... D6/364  
 D509,371 S 9/2005 Natuzzi  
 D531,420 S 11/2006 Kita  
 D531,421 S \* 11/2006 Egger ..... D6/365  
 D535,124 S 1/2007 Garcia  
 D539,046 S 3/2007 Bouroullec et al.  
 D540,572 S 4/2007 Fanning  
 D554,382 S 11/2007 Nobles et al.  
 D555,376 S \* 11/2007 Lade ..... D6/365  
 D555,377 S 11/2007 Pensi et al.  
 D557,948 S 12/2007 Ng  
 D559,570 S 1/2008 Higgs et al.  
 D572,029 S 7/2008 Bouroullec et al.

D585,657 S 2/2009 Massaud  
 D586,137 S 2/2009 Massaud  
 D587,911 S 3/2009 Pearson et al.  
 D587,916 S 3/2009 Bouroullec  
 7,566,095 B2 7/2009 Reeb et al.  
 D600,033 S 9/2009 Natuzzi  
 D600,458 S 9/2009 Starck  
 D601,359 S \* 10/2009 Wold ..... D6/365  
 D601,828 S 10/2009 Wold  
 D611,263 S 3/2010 Werner  
 7,815,254 B2 10/2010 Reeb et al.  
 D626,756 S 11/2010 Flender et al.  
 7,891,732 B2 2/2011 Hei et al.  
 D637,423 S 5/2011 Behar et al.  
 D639,091 S 6/2011 Behar et al.  
 7,963,596 B2 6/2011 Eftimiou  
 D646,085 S 10/2011 Overthun et al.  
 D648,158 S 11/2011 Kubryk  
 D648,946 S 11/2011 Wilson et al.  
 D671,774 S \* 12/2012 Ping et al. .... D6/716.4  
 2004/0007904 A1 1/2004 Lin et al.

OTHER PUBLICATIONS

Vintage chair—no name—<http://newyork.craigslist.org/brk/fo/2875463319.html>—Date unknown.  
 Portocco Italy—Grace Arm Chair—<http://www.spencerinteriors.ca/potocco.html>—Date as filed.  
 Airplane Seat by Gavari Gerda—<http://www.coroflot.com/Gavari/Airplane-Seat>—Date as filed.  
 The Coach Chair—<http://avenue-road.com/>—Downloaded Dec. 10, 2013.  
 Brumback, E. (Nov. 11, 2013). Renovation projects worth the effort despite common challenges. MiBiz, p. 12.

\* cited by examiner

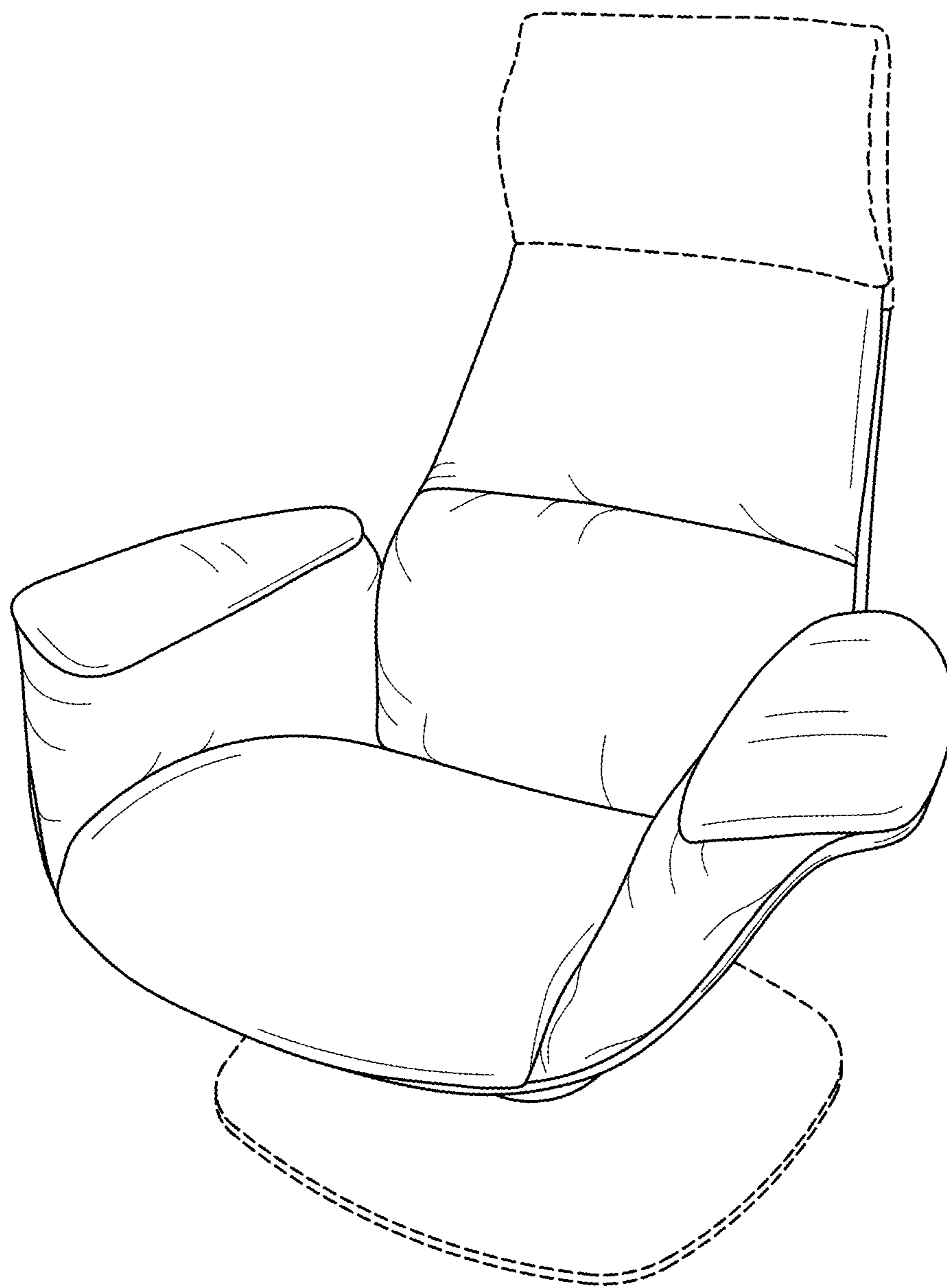


FIG. 1

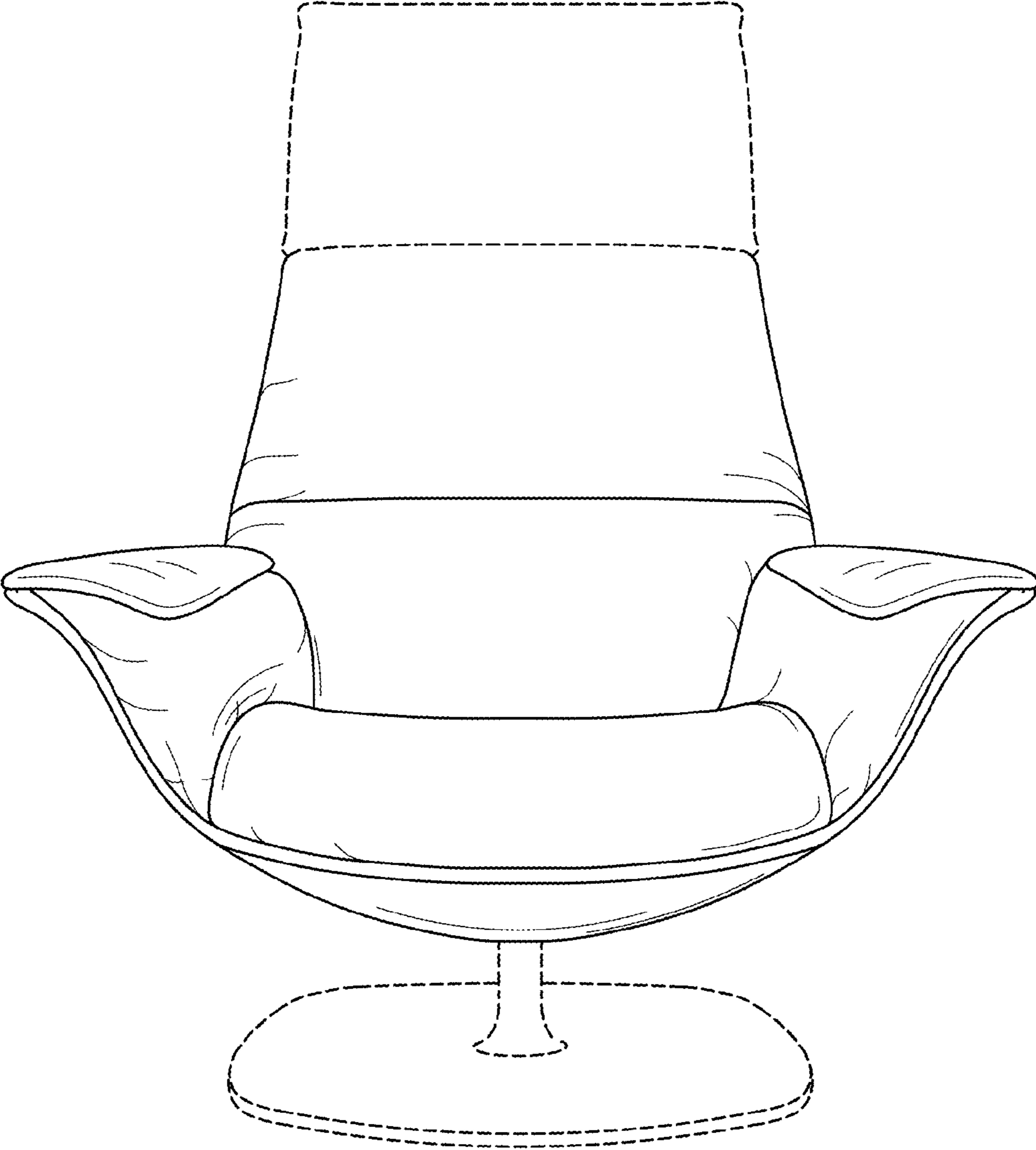


FIG. 2

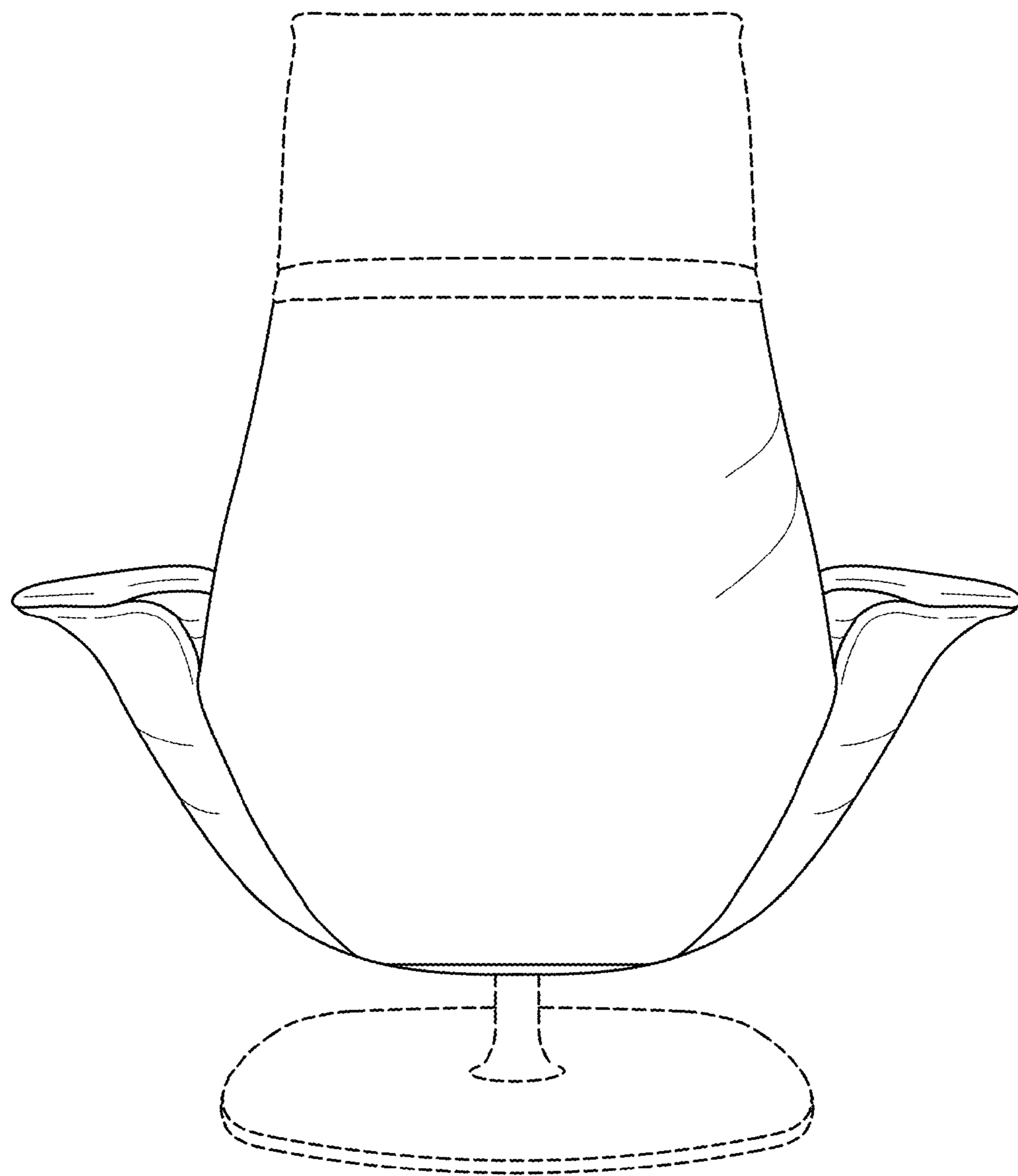


FIG. 3



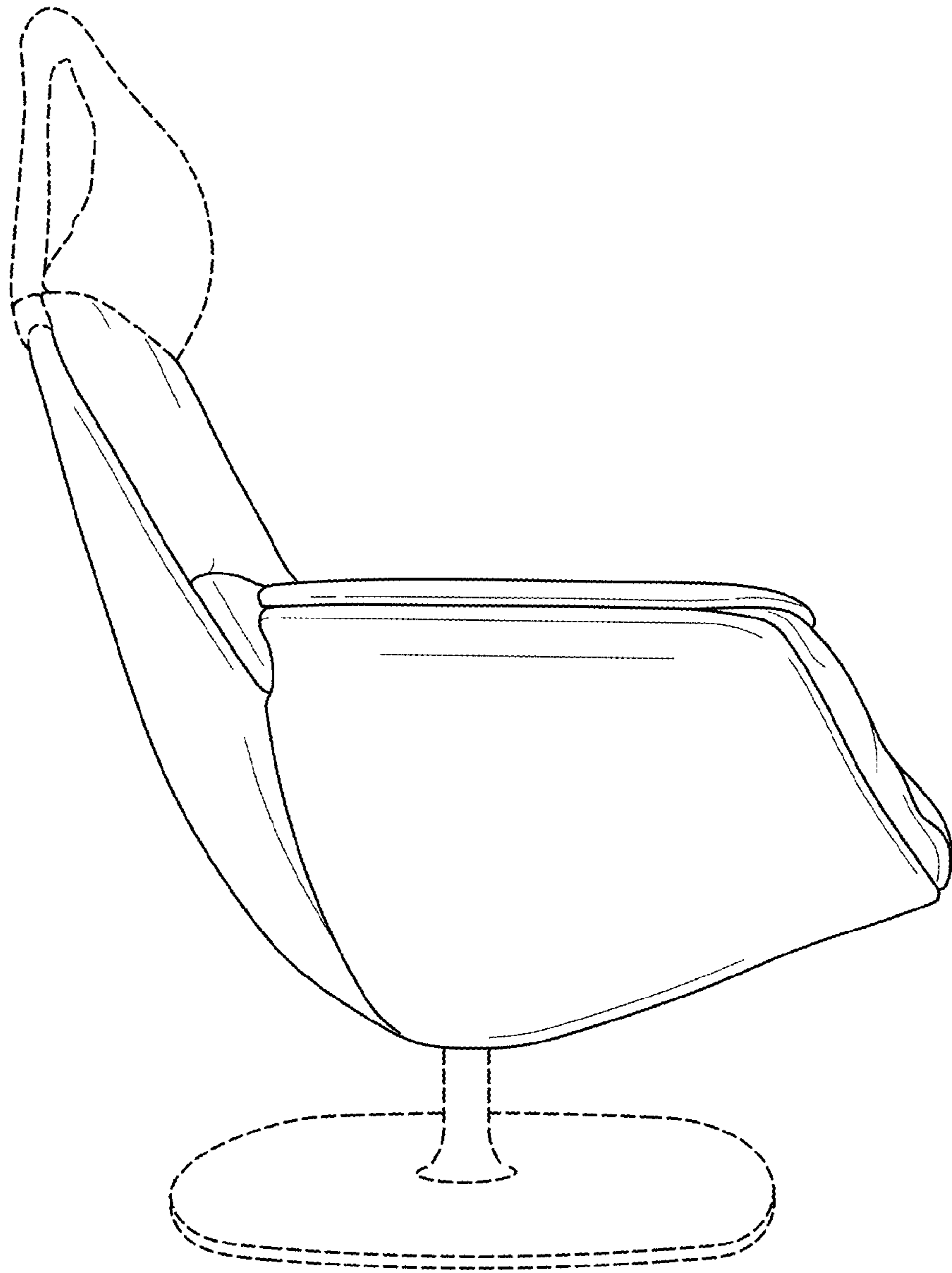


FIG. 4

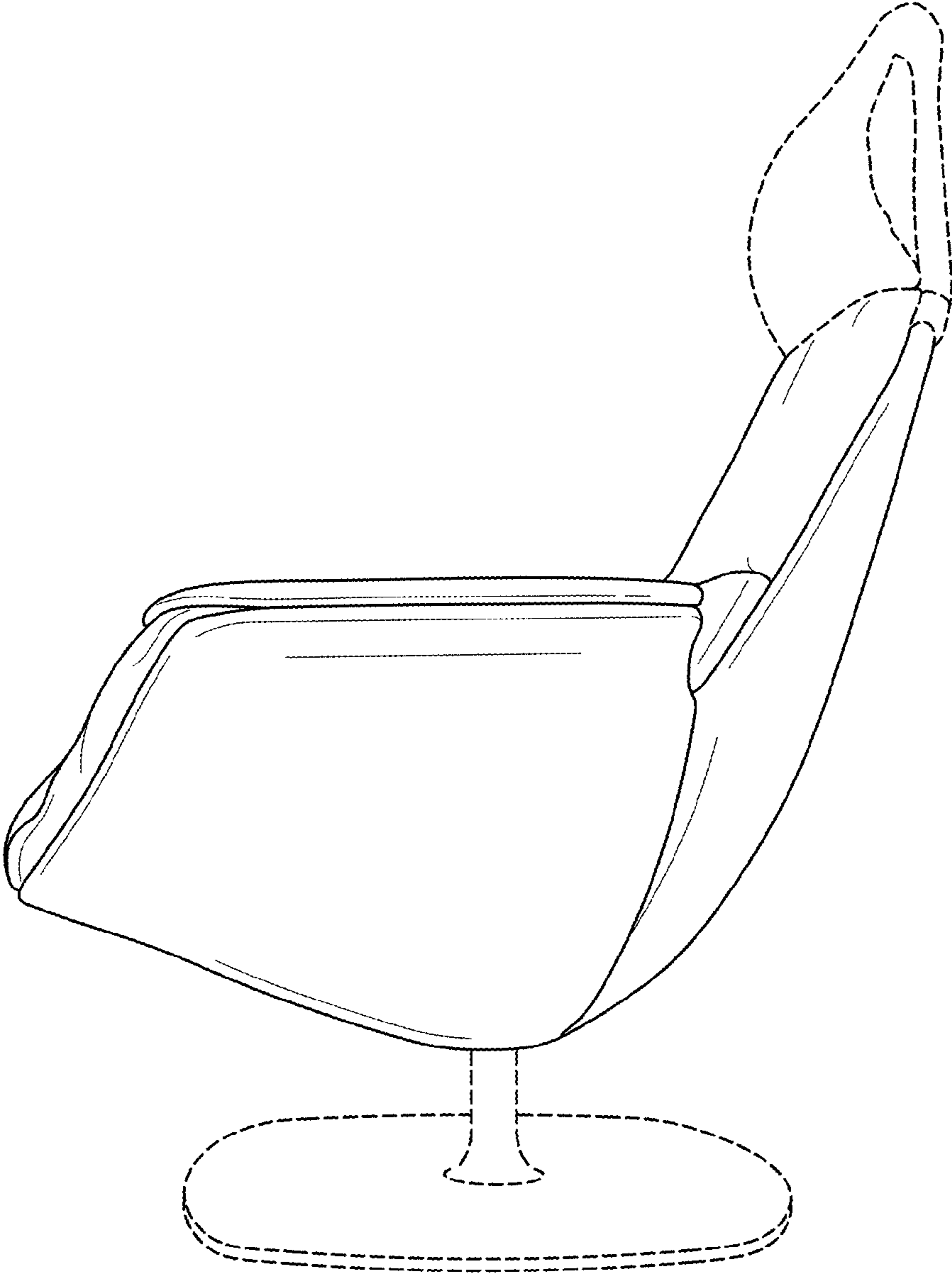


FIG. 5

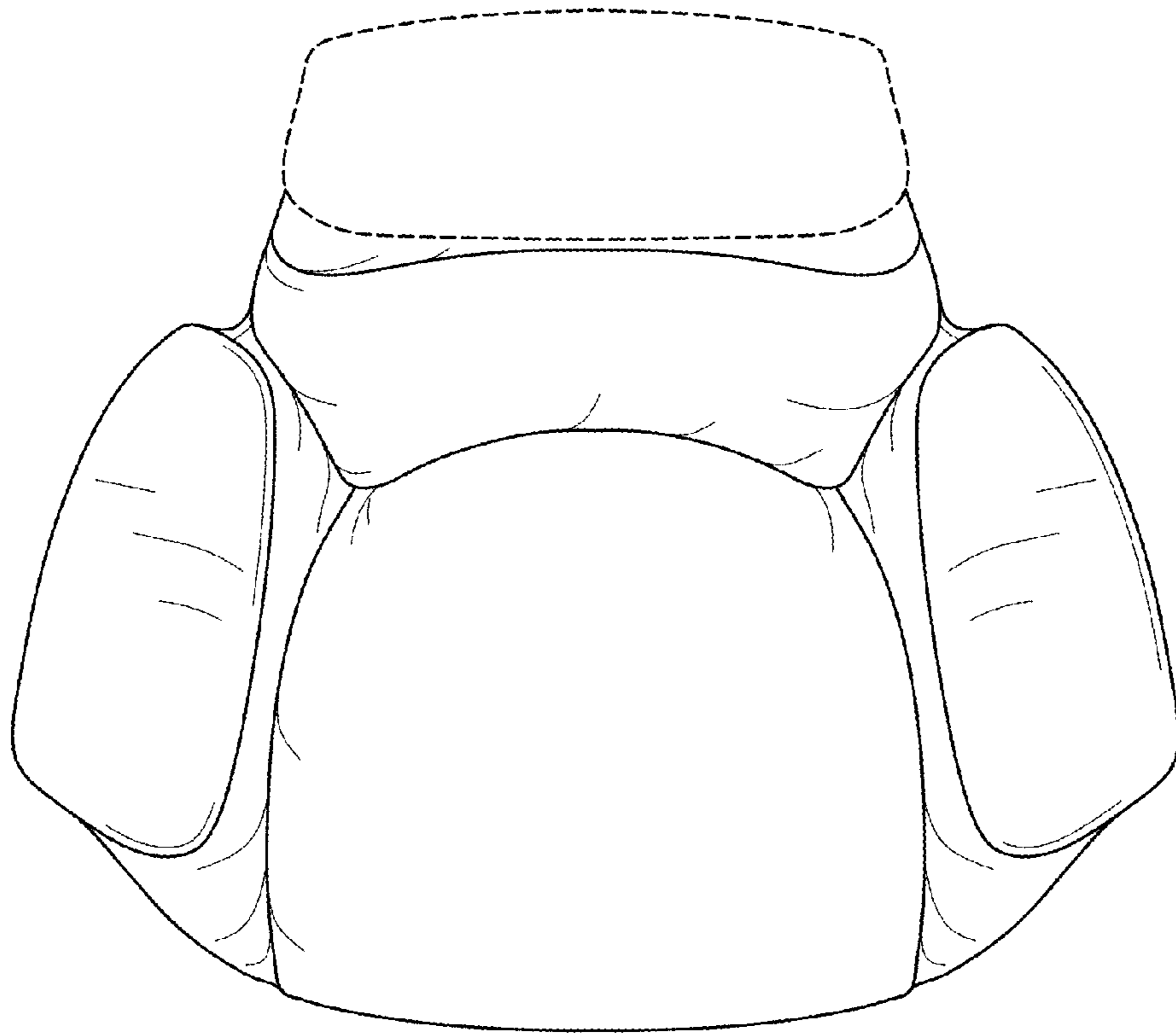


FIG. 6



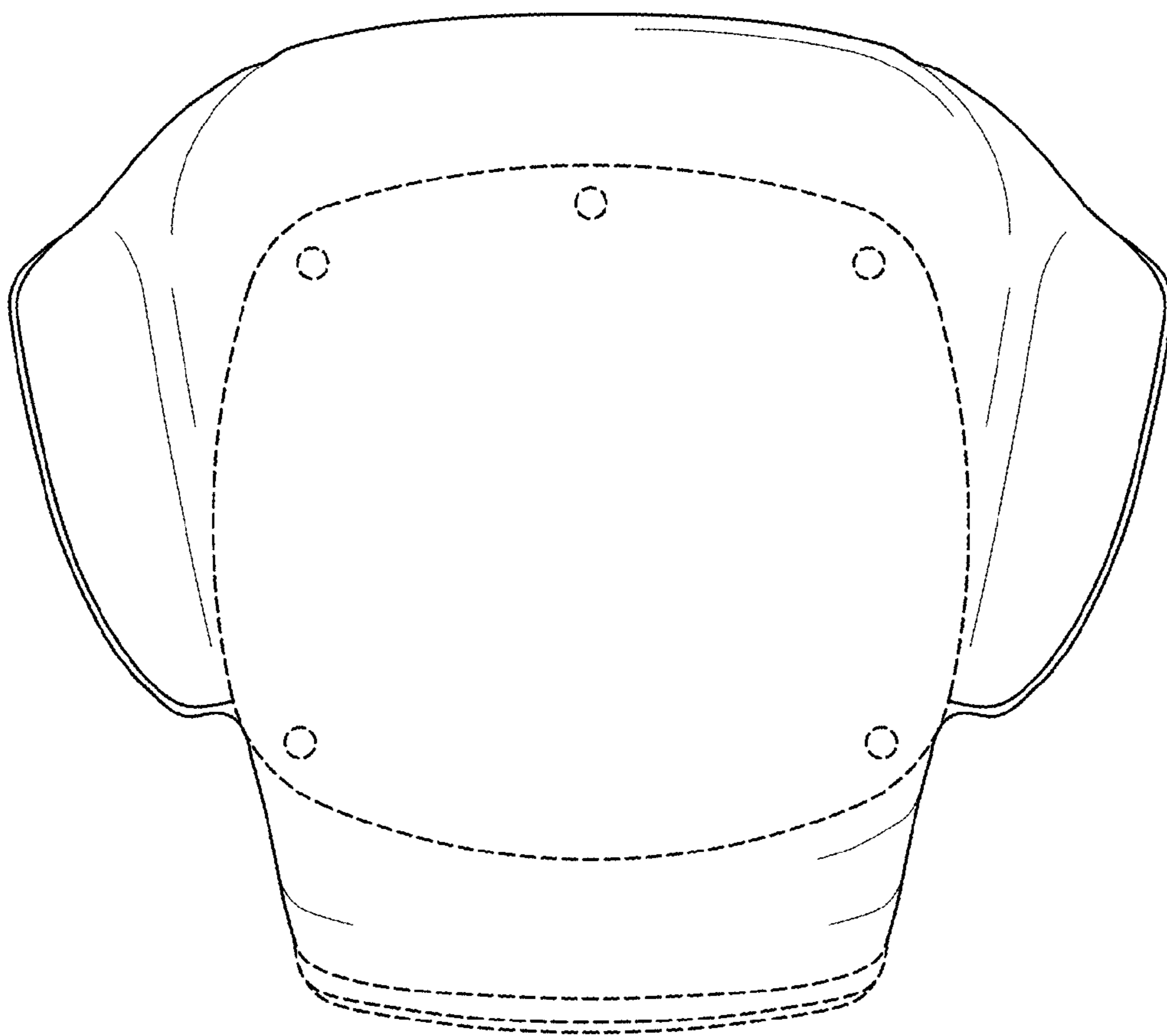


FIG. 7