



US00D704486S

(12) **United States Design Patent**
Cho

(10) **Patent No.:** **US D704,486 S**

(45) **Date of Patent:** **** May 13, 2014**

(54) **COLLAPSIBLE TRIPOD FOR MUSIC STAND**

Primary Examiner — Janice Seeger

(75) Inventor: **Yong Chan Cho**, Seoul (KR)

(74) *Attorney, Agent, or Firm* — Hoffmann & Baron LLP

(73) Assignee: **Granberg AS**, Bjoa (NO)

(57) **CLAIM**

(**) Term: **14 Years**

The ornamental design for a collapsible tripod for music stand, as shown and described.

(21) Appl. No.: **29/428,702**

DESCRIPTION

(22) Filed: **Aug. 2, 2012**

(30) **Foreign Application Priority Data**

Feb. 2, 2012 (KR) 30-2012-0004870

(51) **LOC (10) Cl.** **06-06**

(52) **U.S. Cl.**
USPC **D6/708.25**; D6/701

(58) **Field of Classification Search**
USPC D6/698, 700, 701, 691.4, 692.3, 708.17,
D6/708.23, 708.25; 248/441.1, 451, 454,
248/458, 460, 462, 463; 108/150

See application file for complete search history.

FIG. 1 is a perspective view of a collapsible tripod for music stand in the unfolded or open position in accordance with the new design;

FIG. 2 is a front view thereof;

FIG. 3 is a backside view thereof;

FIG. 4 is a left side view thereof;

FIG. 5 is a right side view thereof;

FIG. 6 is a top view thereof;

FIG. 7 is a bottom view thereof;

FIG. 8 is a front view thereof showing a tray for holding sheets of music with broken lines. The music tray discloses the environment related to the claimed design but forms no part of the claimed design;

FIG. 9 is a perspective view of a collapsible tripod for music stand in the folded or collapsed position in accordance with the new design;

FIG. 10 is a front view thereof;

FIG. 11 is a backside view thereof;

FIG. 12 is a left side view thereof;

FIG. 13 is a right side view thereof;

FIG. 14 is a top view thereof; and,

FIG. 15 is a bottom view thereof.

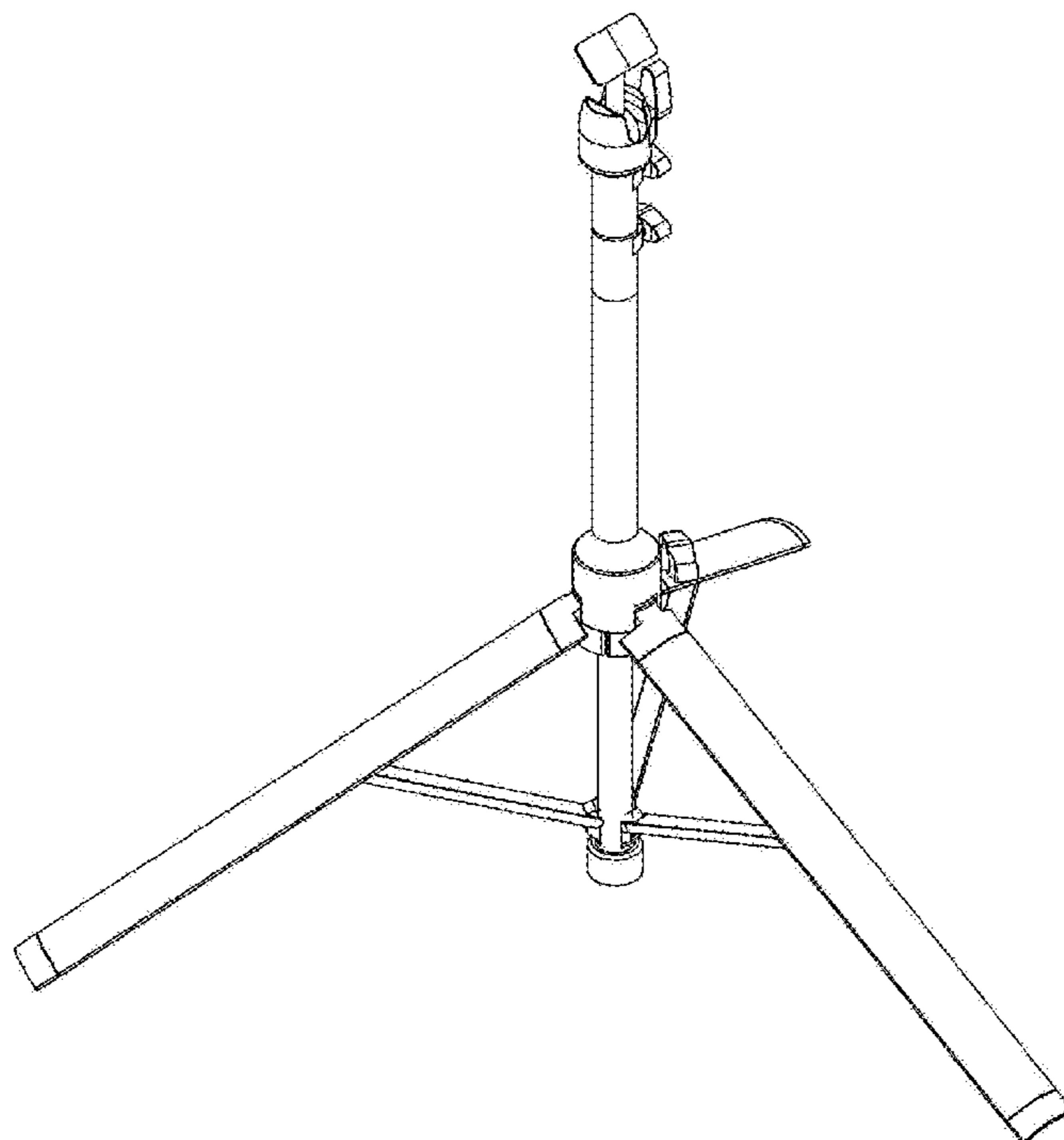
(56) **References Cited**

U.S. PATENT DOCUMENTS

535,557	A *	3/1895	Rockwell	248/462
5,636,824	A *	6/1997	Biasini et al.	248/441.1
5,979,856	A *	11/1999	Hsu	248/441.1
D465,235	S *	11/2002	Heid	D17/99
D477,930	S *	8/2003	Minus	D6/419

* cited by examiner

1 Claim, 11 Drawing Sheets



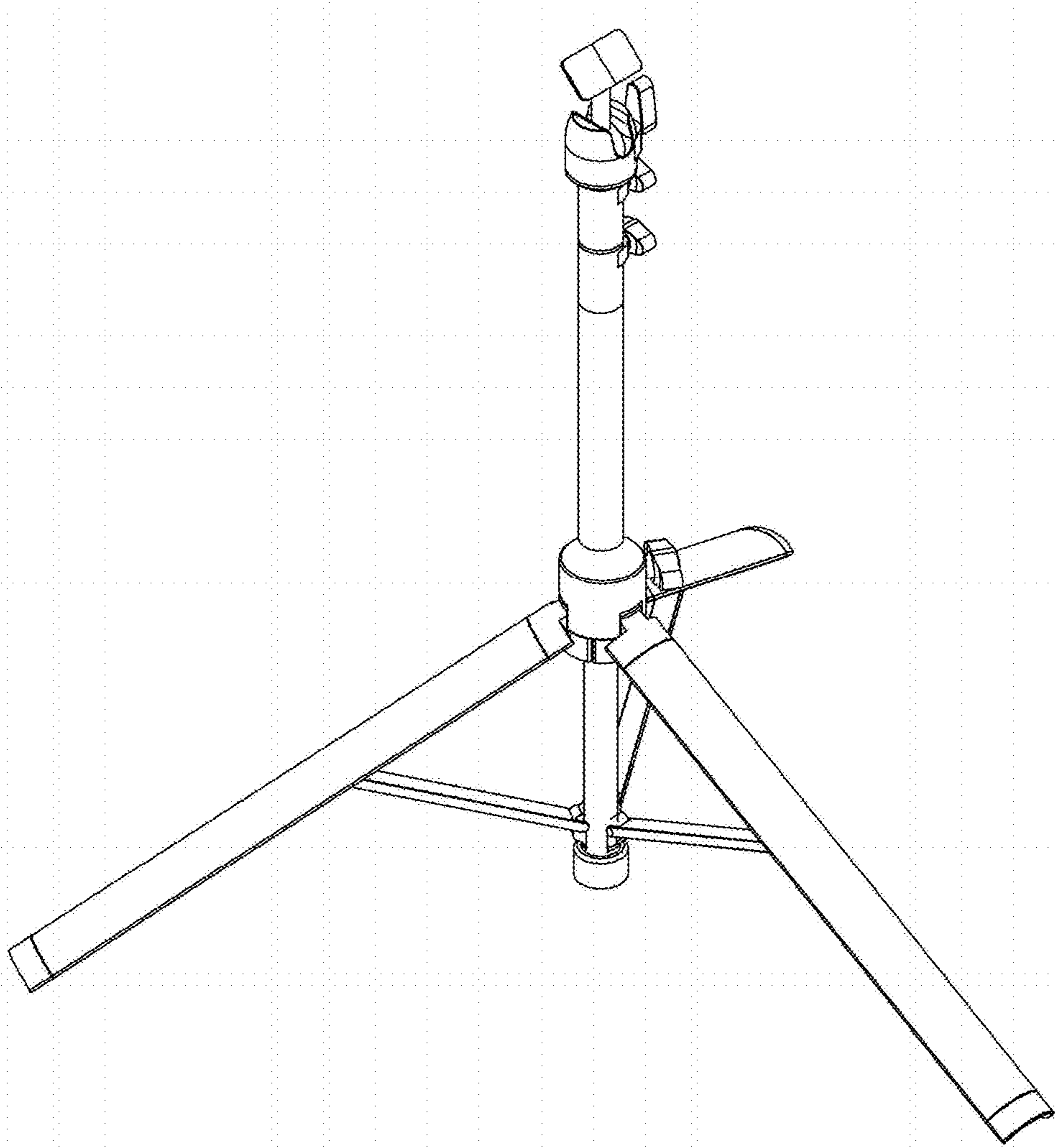


FIG. 1

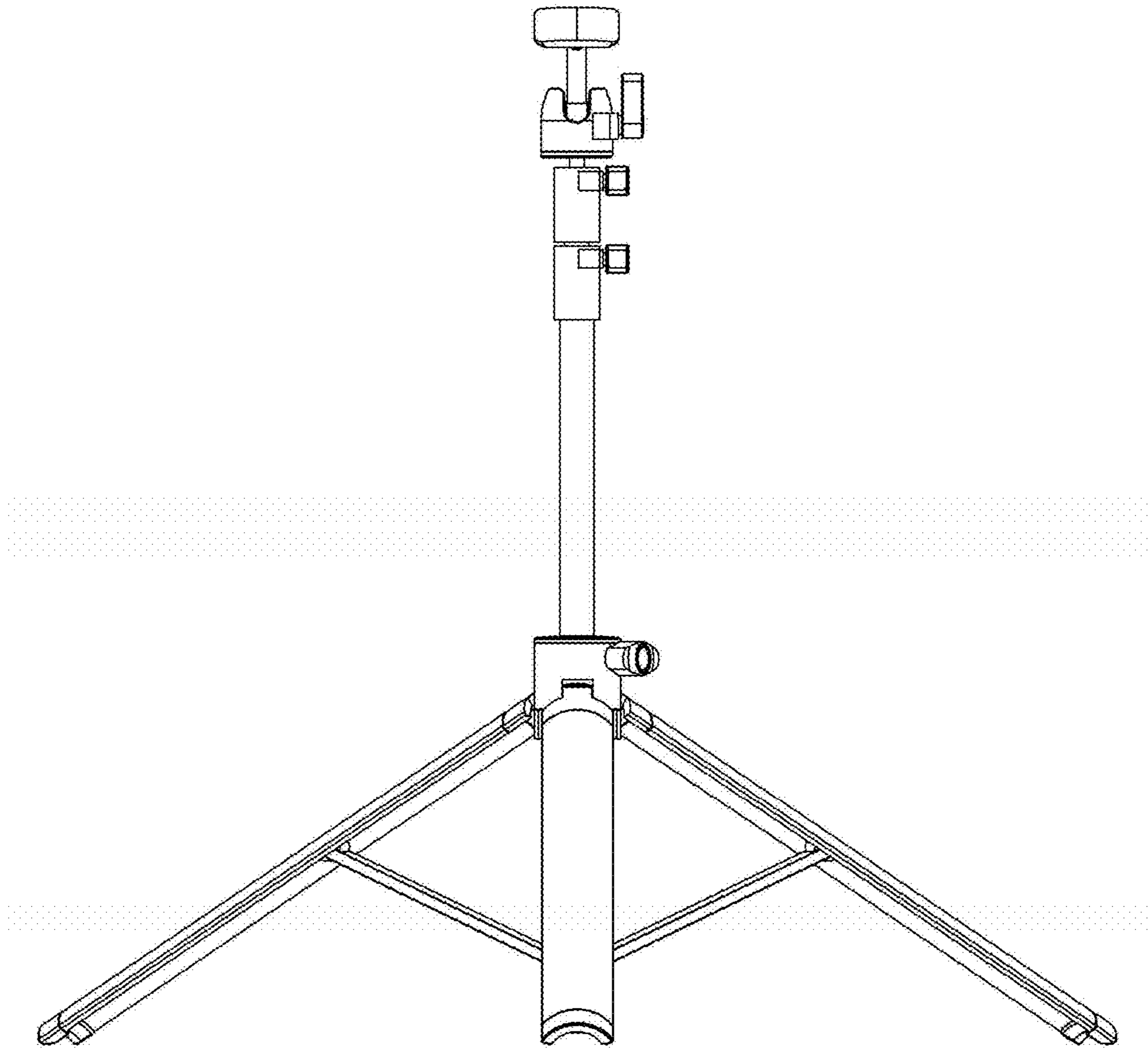


FIG. 2

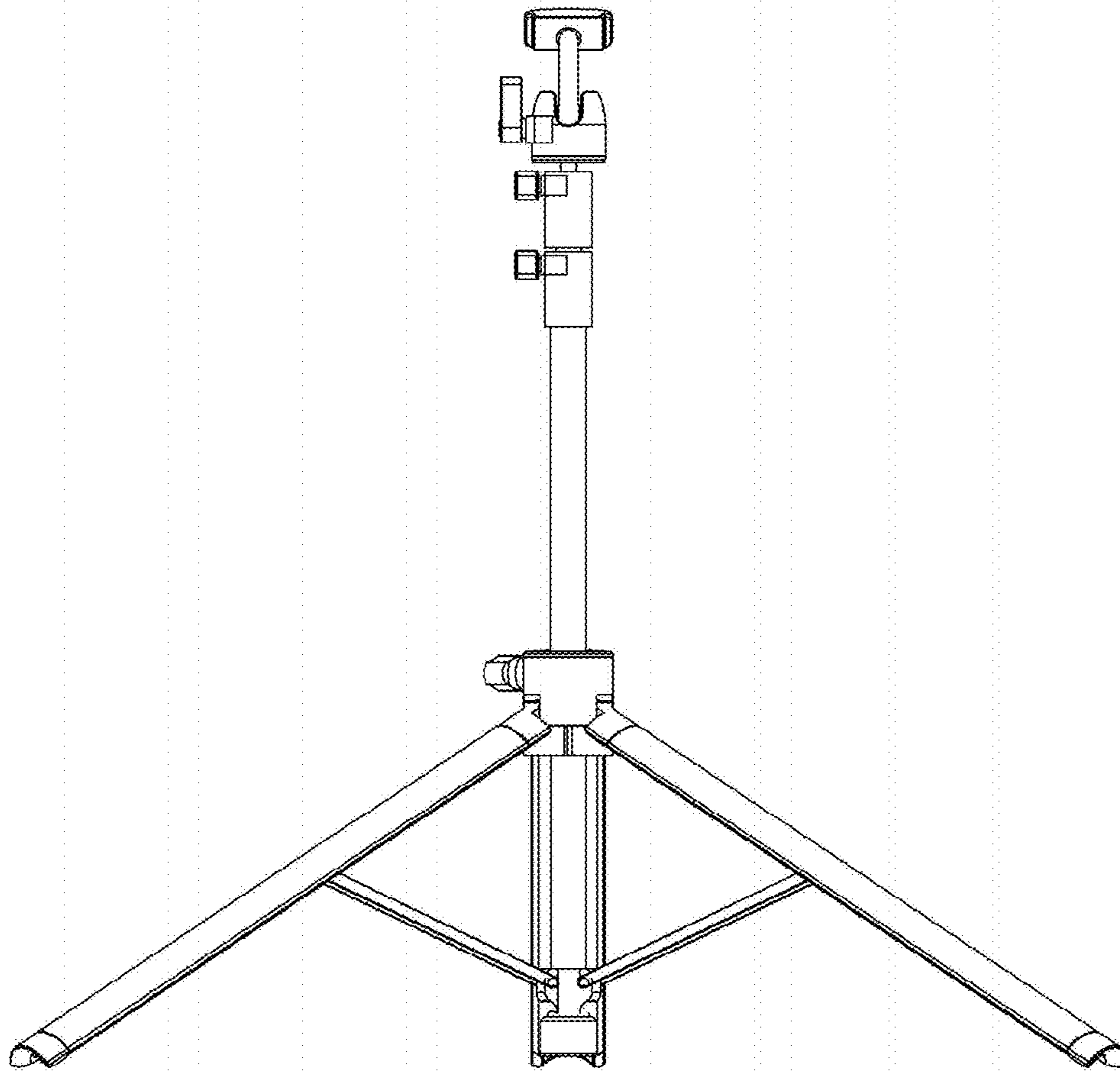


FIG. 3

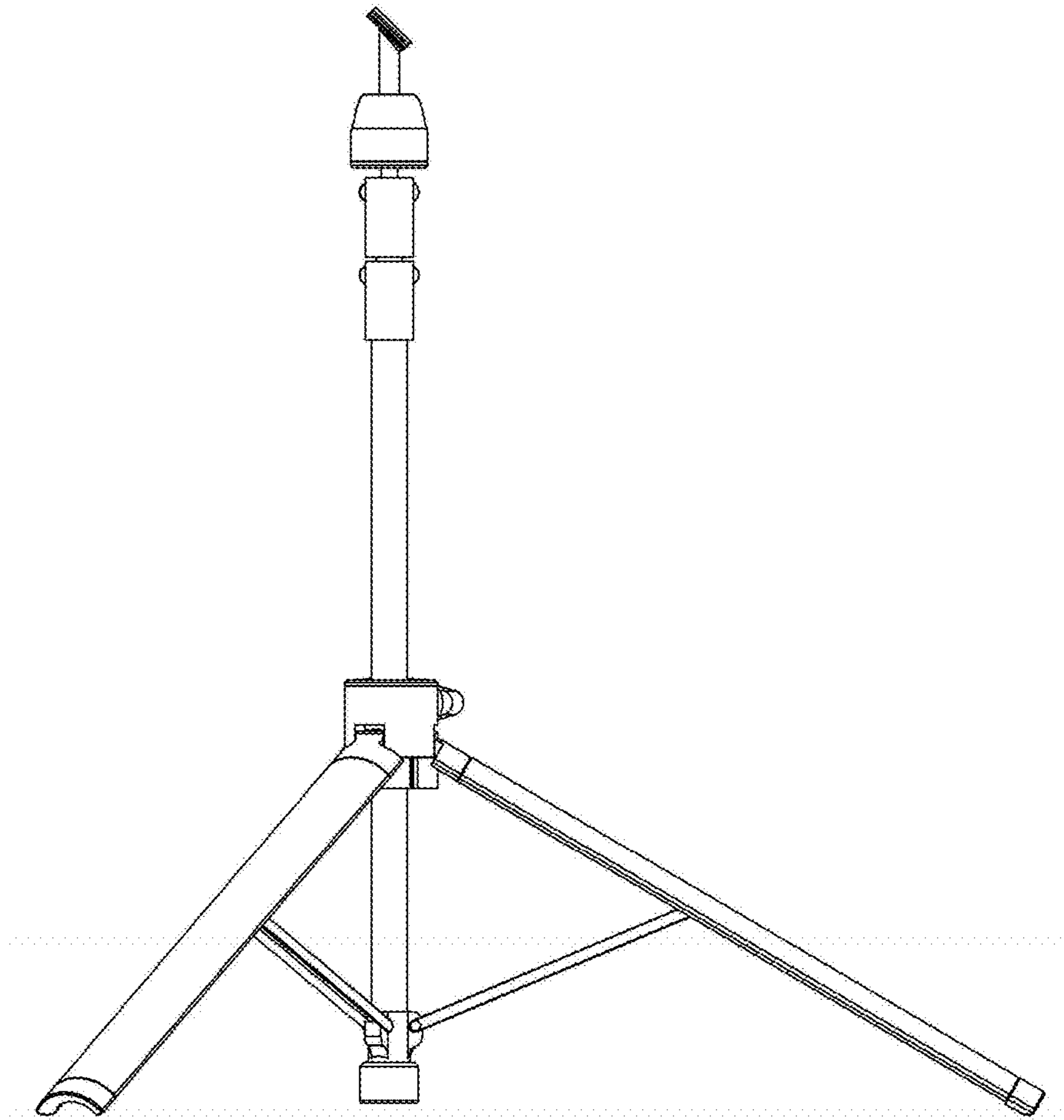


FIG. 4

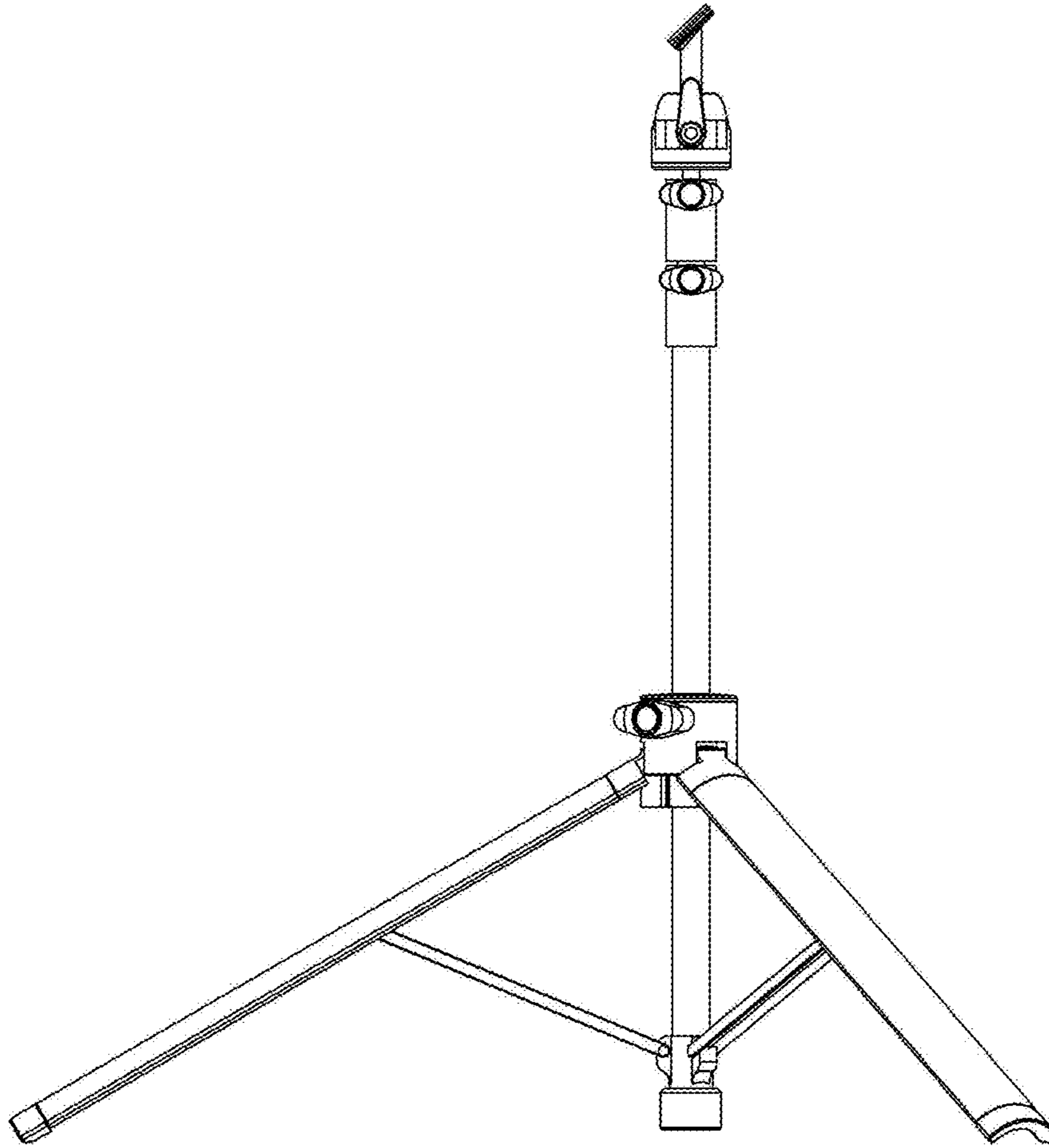


FIG. 5

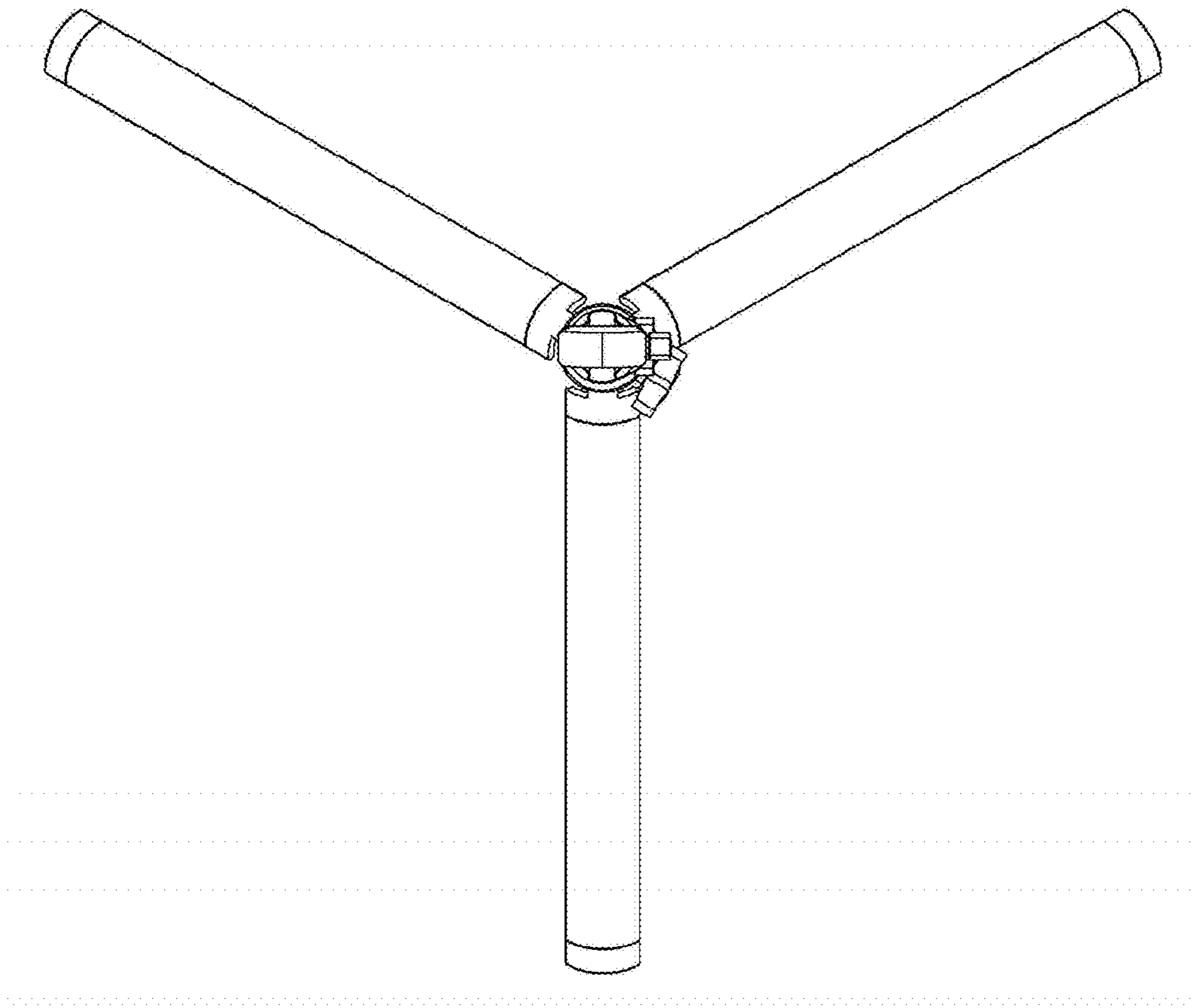


FIG. 6

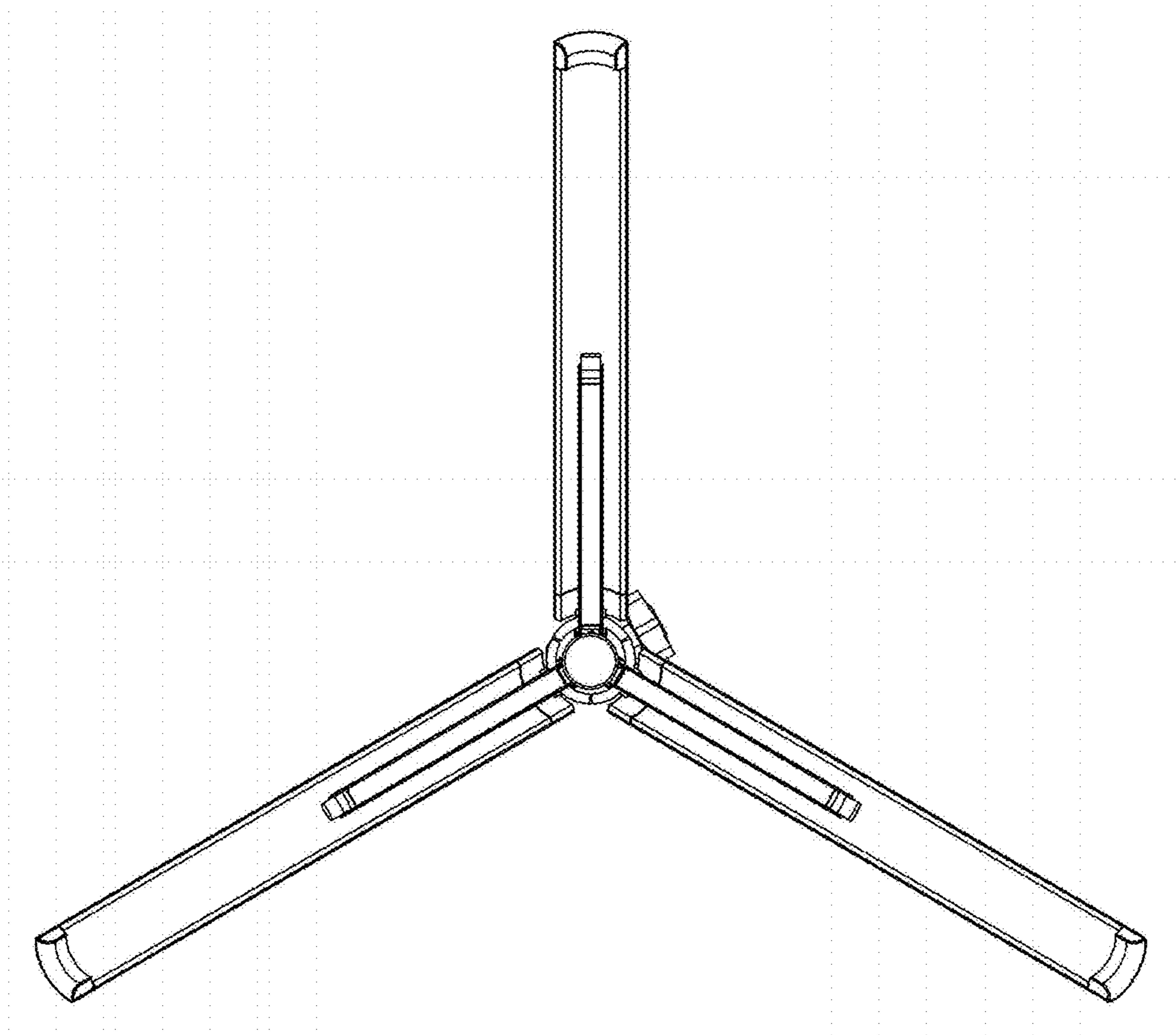


FIG. 7

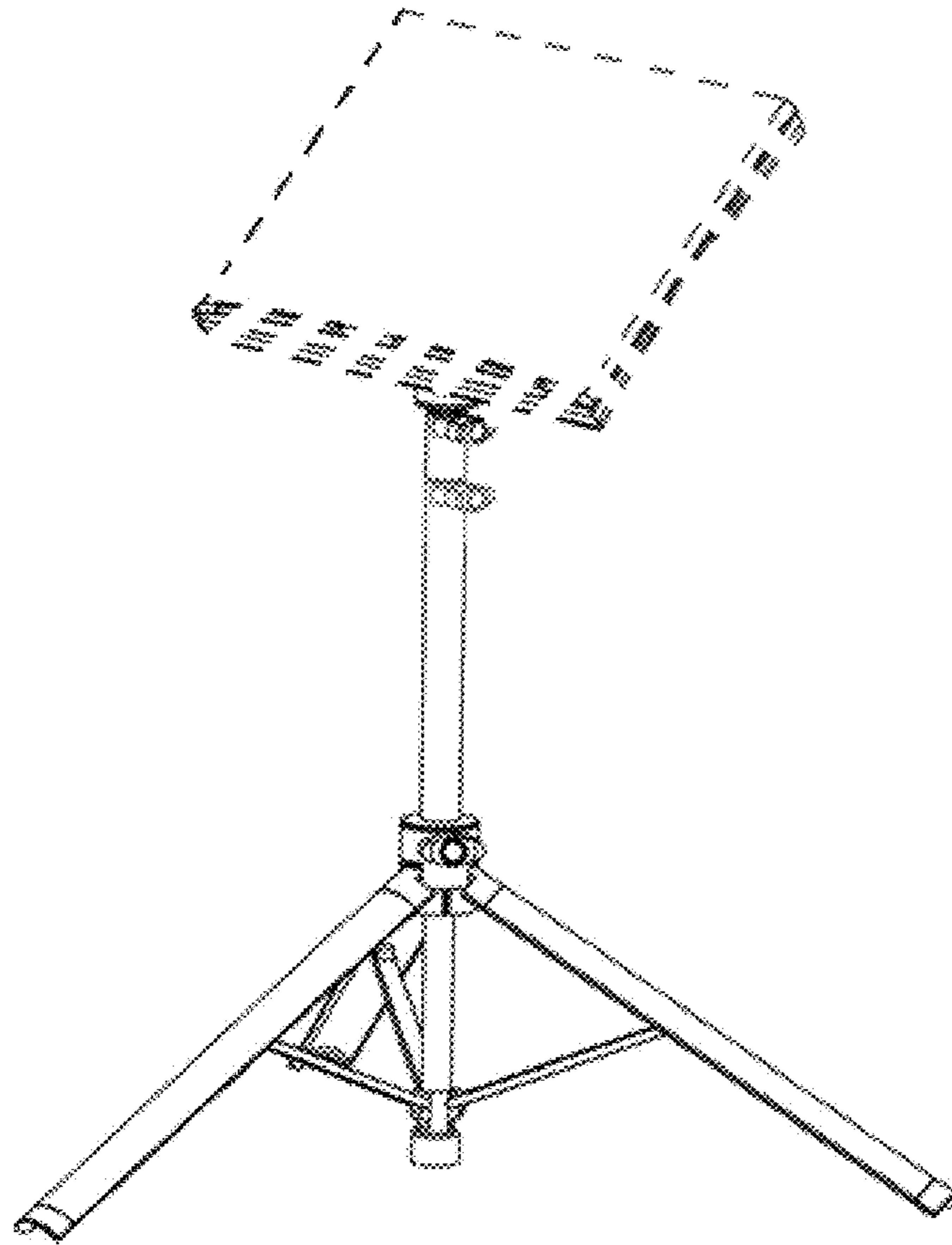


FIG. 8

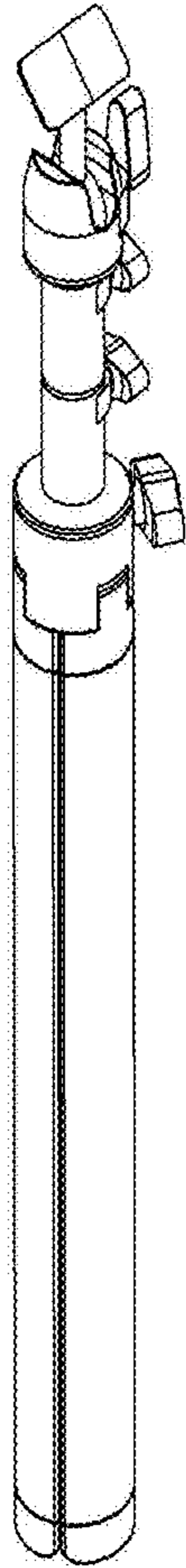


FIG. 9

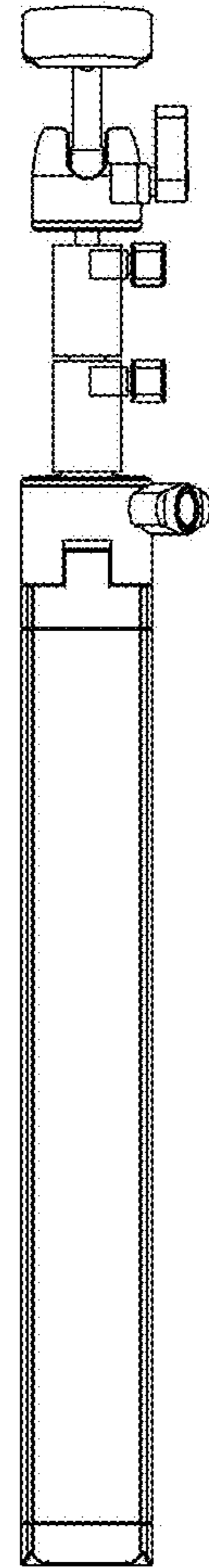


FIG. 10

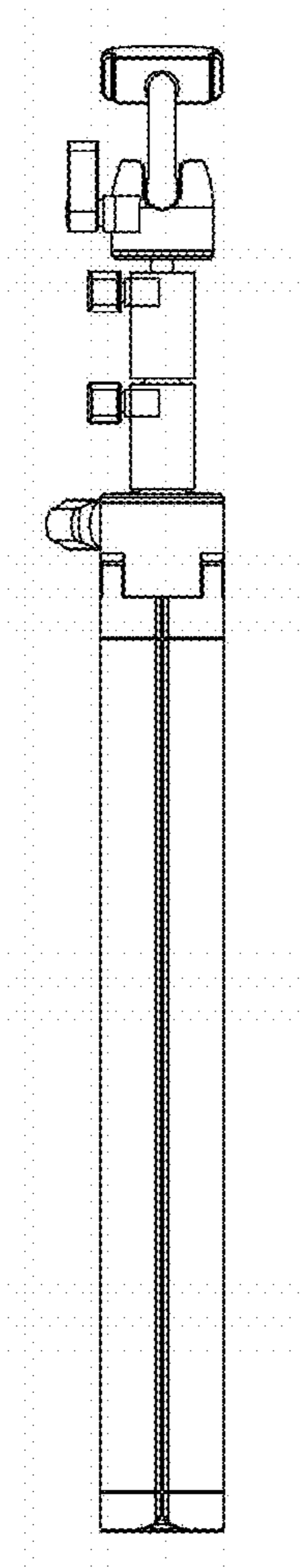


FIG. 11

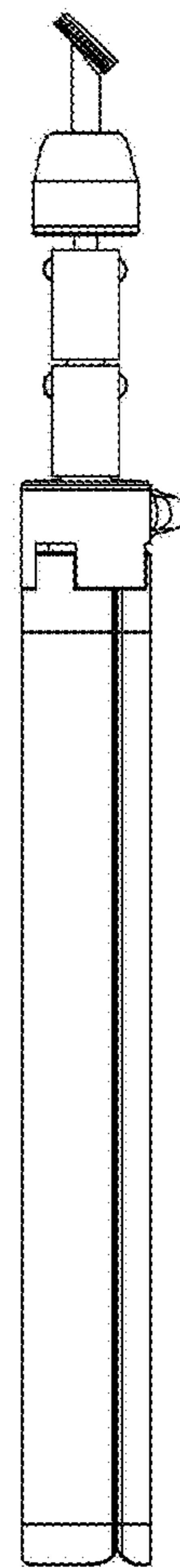


FIG. 12

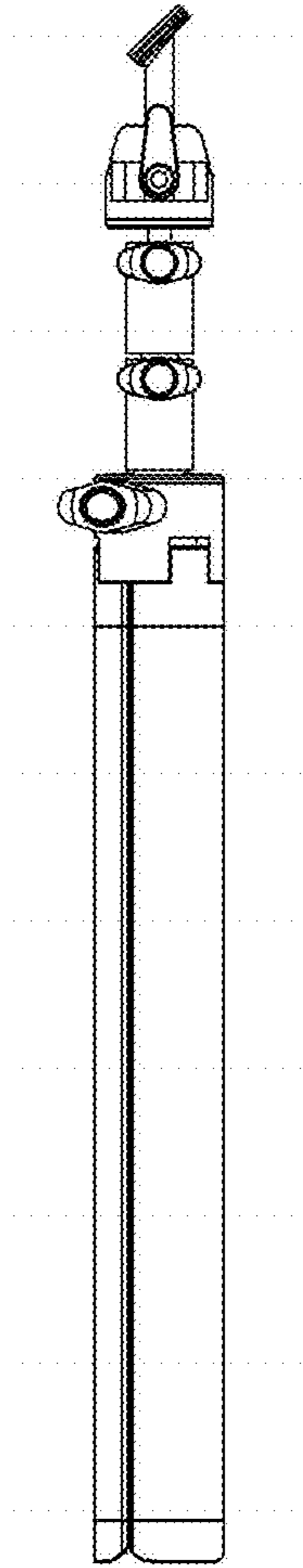


FIG. 13

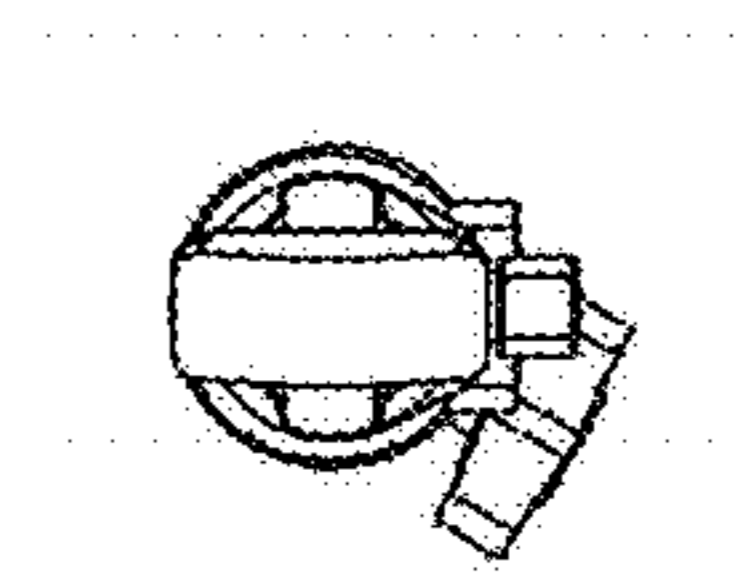


FIG. 14

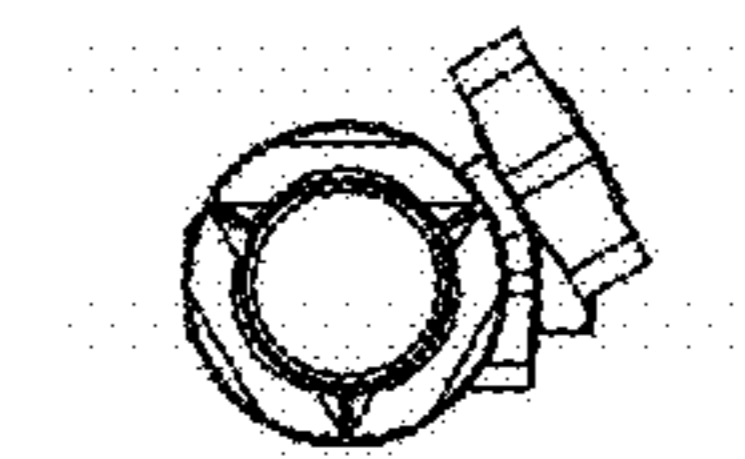


FIG. 15