



US00D704485S

(12) **United States Design Patent**  
**Elwany**

(10) **Patent No.:** **US D704,485 S**

(45) **Date of Patent:** **\*\* May 13, 2014**

(54) **STAND FOR PRESENTATION OF  
EDUCATIONAL MEDIA**

D646,508 S \* 10/2011 Parizek et al. .... D6/486  
D688,904 S \* 9/2013 Chan ..... D6/700

\* cited by examiner

(75) Inventor: **Magdy Elwany**, Carrollton, TX (US)

*Primary Examiner* — Janice Seeger

(73) Assignee: **M&A Technology, Inc.**, Carrollton, TX  
(US)

(74) *Attorney, Agent, or Firm* — Bill R. Naifeh

(\*\*) Term: **14 Years**

(57) **CLAIM**

(21) Appl. No.: **29/431,720**

The ornamental design for a stand for presentation of educational media, as shown and described.

(22) Filed: **Sep. 10, 2012**

(51) **LOC (10) Cl.** ..... **06-03**

(52) **U.S. Cl.**

USPC ..... **D6/700; D6/656.15**

(58) **Field of Classification Search**

USPC ..... D6/698, 700, 701, 691.4, 692.3, 708.17,  
D6/663; 248/441.1, 451, 454, 458, 460,  
248/462, 463; 108/150

See application file for complete search history.

**DESCRIPTION**

FIG. 1 is a perspective view of a stand for presentation of educational media, taken from above and left;  
FIG. 2 is a front view thereof;  
FIG. 3 is a back view thereof,  
FIG. 4 is a left side view thereof,  
FIG. 5 is a right side view thereof,  
FIG. 6 is a top view thereof; and,  
FIG. 7 is a bottom view thereof.

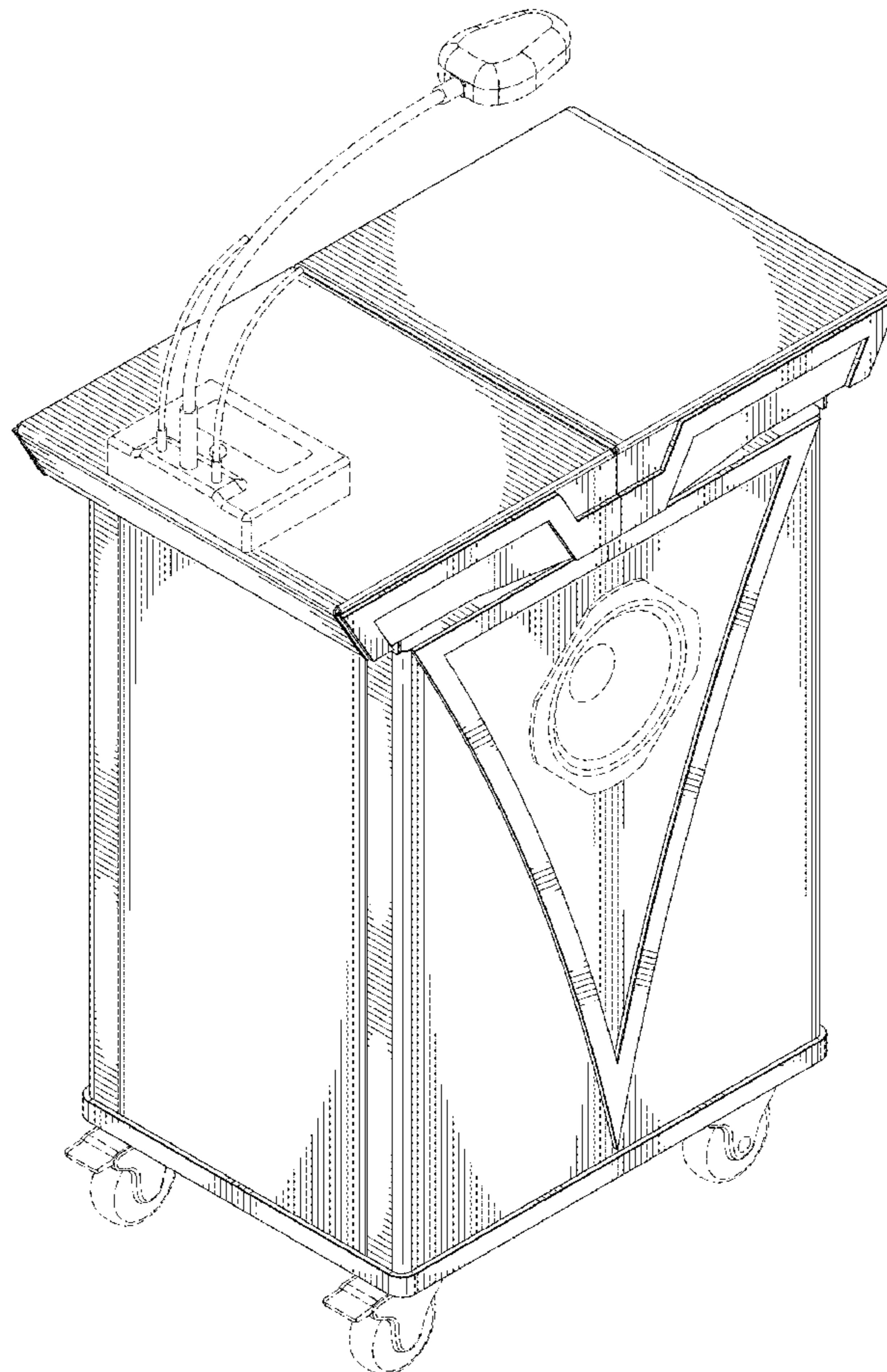
The dashed lines are for environmental purposes only and form no part of the claimed design.

(56) **References Cited**

**U.S. PATENT DOCUMENTS**

3,866,550 A \* 2/1975 Geschwender ..... 108/157.14  
D461,972 S \* 8/2002 Everett ..... D6/448

**1 Claim, 6 Drawing Sheets**



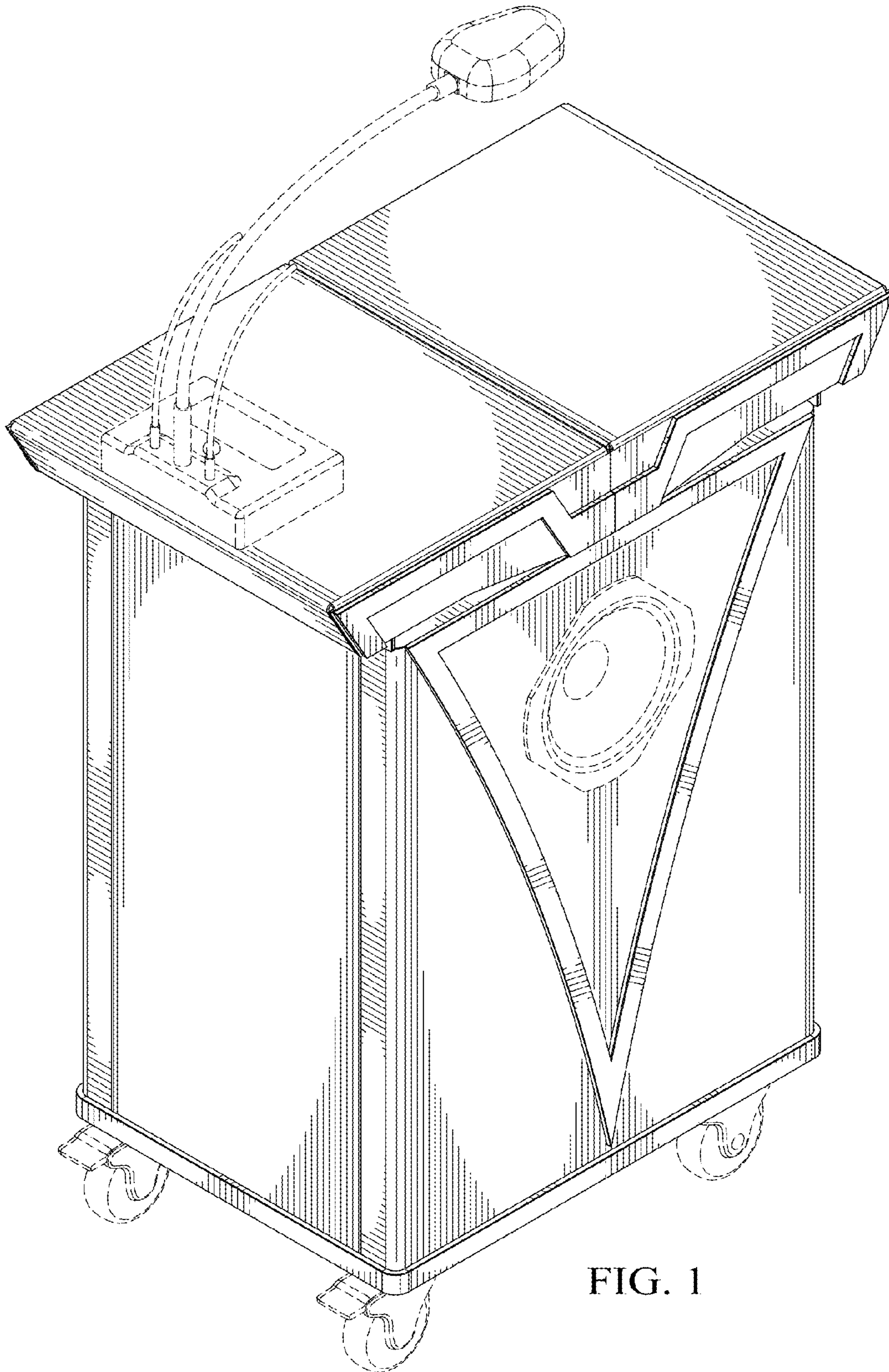


FIG. 1

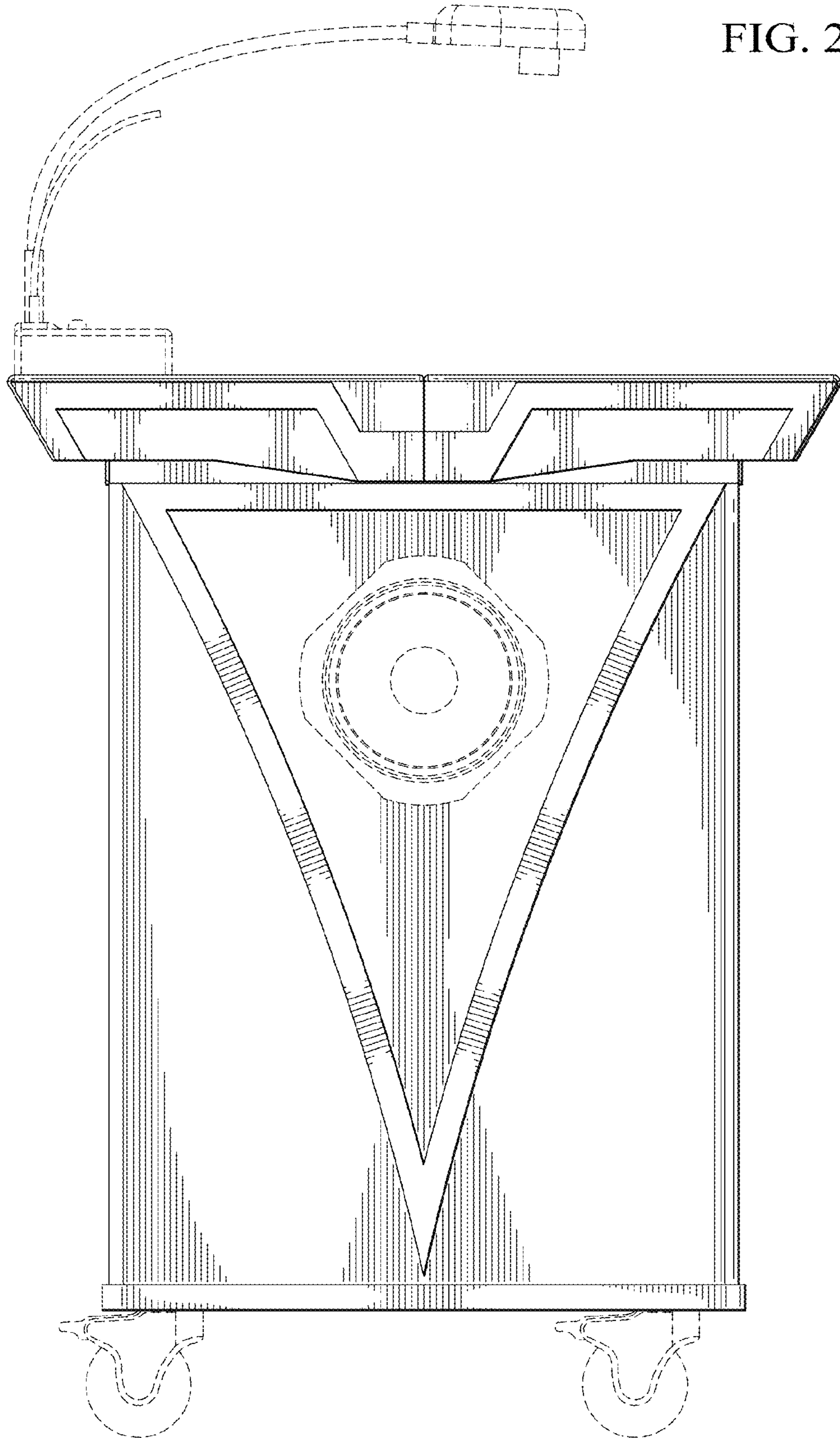


FIG. 2

FIG. 3

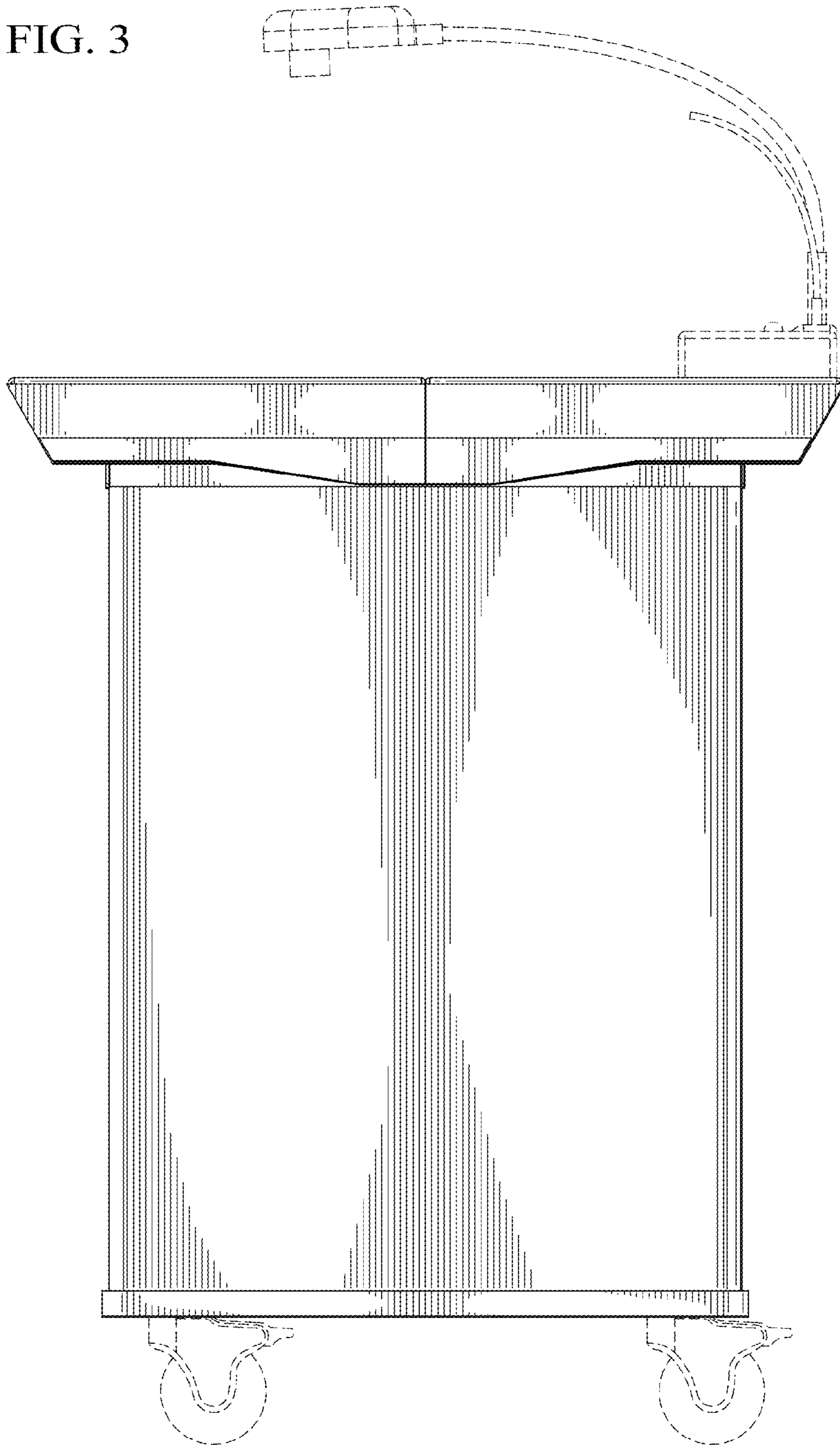


FIG. 4

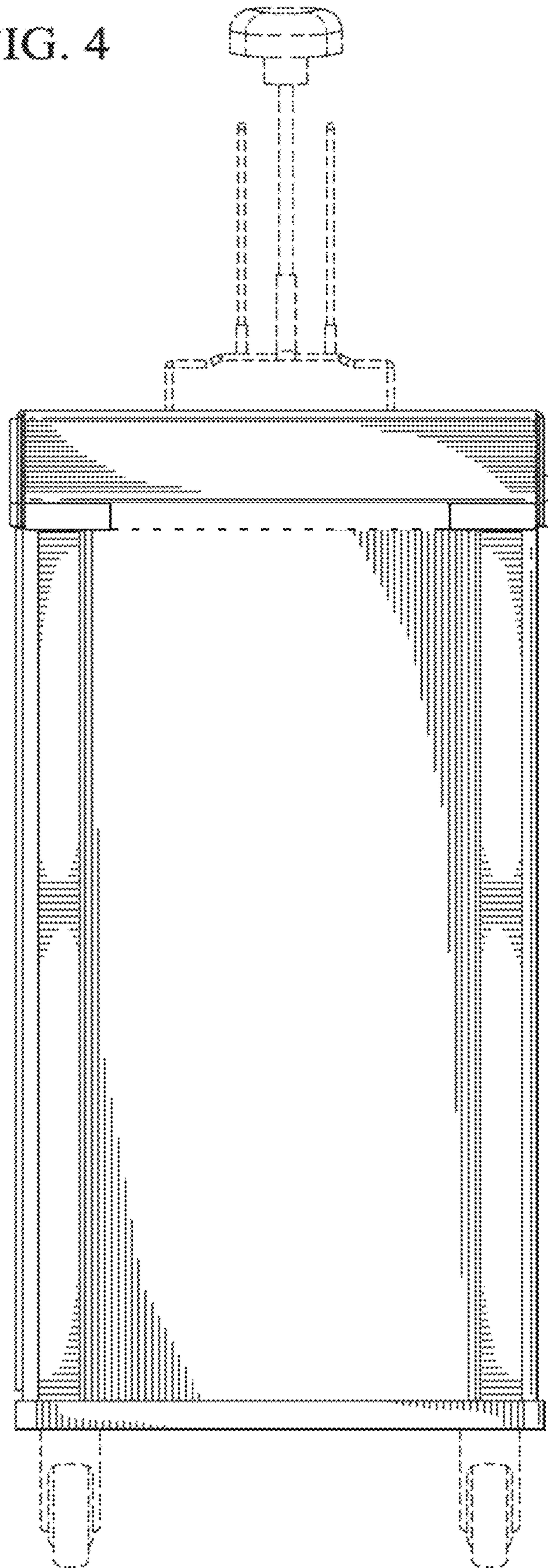


FIG. 5

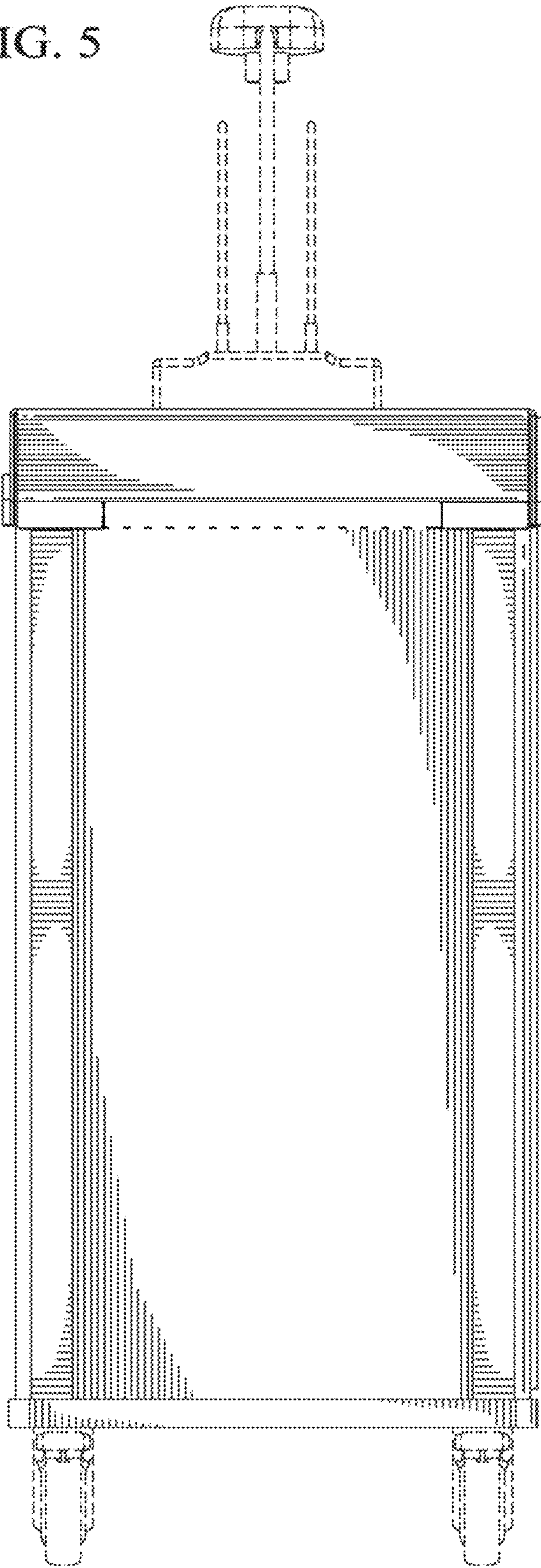


FIG. 6

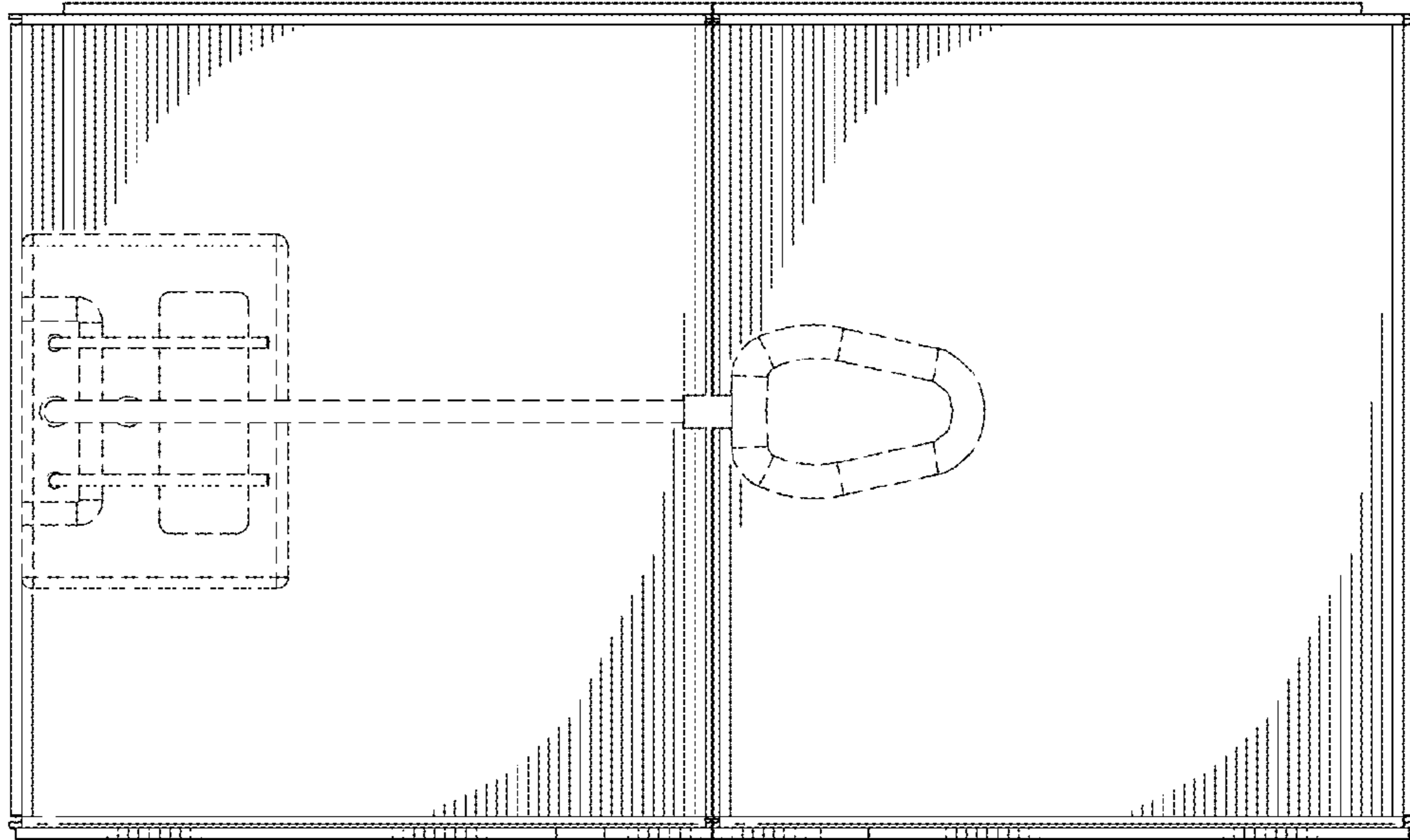


FIG. 7

