



US00D704484S

(12) **United States Design Patent**
Thrush

(10) **Patent No.:** **US D704,484 S**

(45) **Date of Patent:** **** May 13, 2014**

(54) **SLATWALL FOR WALL MOUNTING DEVICES**

(71) Applicant: **Bruce A. Thrush**, San Juan Capistrano, CA (US)

(72) Inventor: **Bruce A. Thrush**, San Juan Capistrano, CA (US)

(73) Assignee: **Parallax Group International, LLC**, San Juan Capistrano, CA (US)

(**) Term: **14 Years**

(21) Appl. No.: **29/465,078**

(22) Filed: **Aug. 23, 2013**

Related U.S. Application Data

(60) Continuation of application No. 13/953,676, filed on Jul. 29, 2013, which is a division of application No. 13/683,835, filed on Nov. 21, 2012.

(51) **LOC (10) Cl.** **06-06**

(52) **U.S. Cl.**
USPC **D6/683.1**

(58) **Field of Classification Search**
USPC D6/672, 684, 680, 683.1, 703.5, 513,
D6/567, 514; 211/94.02, 162, 87.01,
211/86.01; 248/316.8, 317
See application file for complete search history.

(56) **References Cited**

U.S. PATENT DOCUMENTS

2,898,640 A 8/1959 Dail
3,045,961 A 7/1962 Cygan

(Continued)

FOREIGN PATENT DOCUMENTS

AU 2008200650 2/2008
CA 2702184 A1 4/2009

(Continued)

OTHER PUBLICATIONS

<http://www.garageappeal.com/gladiatorgeartrack4channels2-pack.aspx>. Mar. 7, 2013.

Primary Examiner — Doris Clark

(74) *Attorney, Agent, or Firm* — Fish & Tsang, LLP

(57) **CLAIM**

I claim the ornamental design for a slatwall for wall mounting devices, as shown and described.

DESCRIPTION

FIG. 1 is a top, front, left side, perspective view of a slatwall for wall mounting devices.

FIG. 2 is a right side elevation view of the slatwall for wall mounting devices of FIG. 1, the left side being a mirror image.

FIG. 3 is a front elevation view of the slatwall for wall mounting devices of FIG. 1.

FIG. 4 is a rear elevation view of the slatwall for wall mounting devices of FIG. 1.

FIG. 5 is a top plan view of the slatwall for wall mounting devices of FIG. 1.

FIG. 6 is a bottom plan view of the slatwall for wall mounting devices of FIG. 1.

FIG. 7 is a top, front, left side, perspective view of another embodiment of a slatwall for wall mounting devices.

FIG. 8 is a right side elevation view of the slatwall for wall mounting devices of FIG. 7, the left side being a mirror image of the slatwall for wall mounting devices of FIG. 1.

FIG. 9 is a front elevation view of the slatwall for wall mounting devices of FIG. 7.

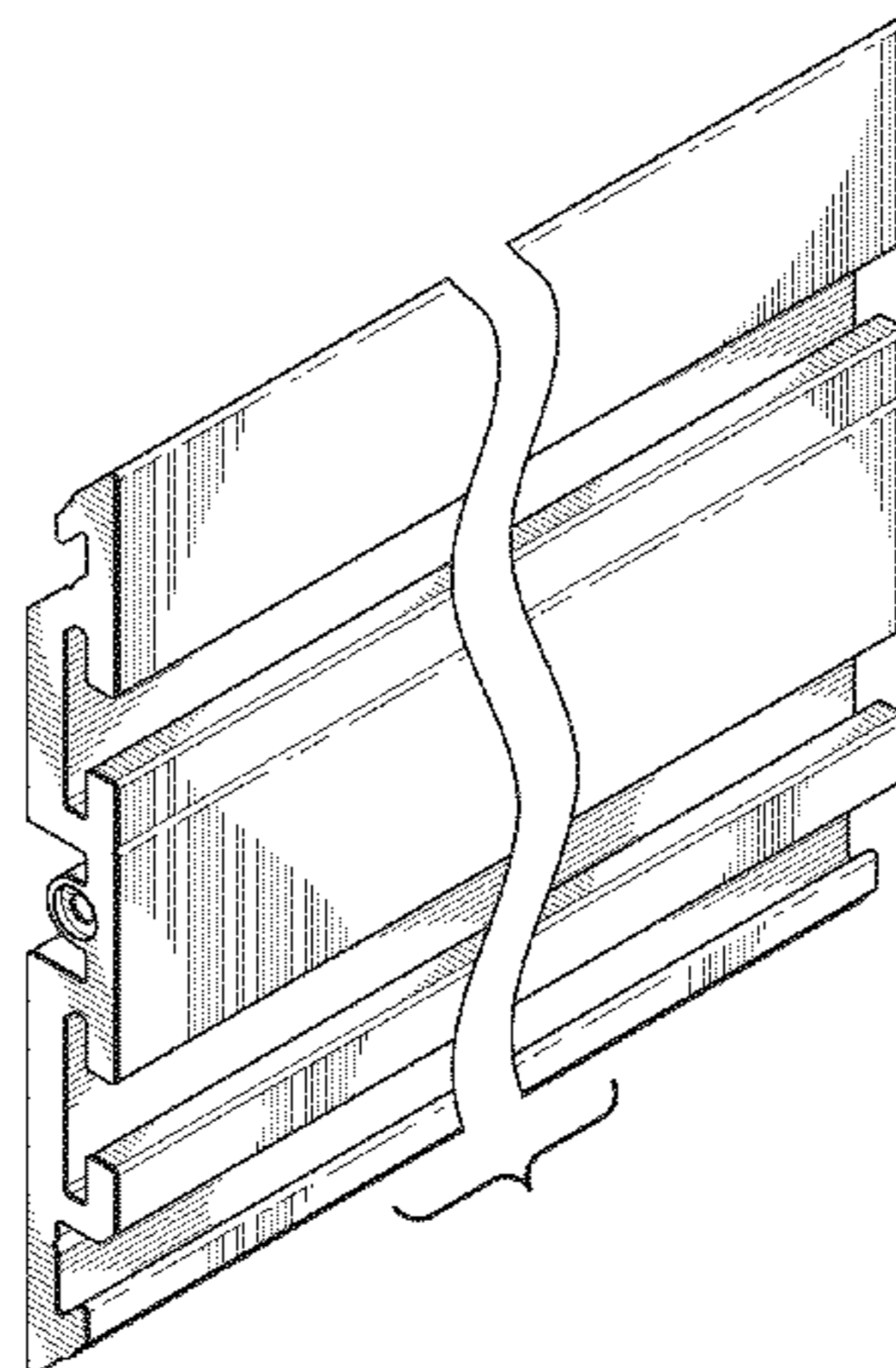
FIG. 10 is a rear elevation view of the slatwall for wall mounting devices of FIG. 7.

FIG. 11 is a top plan view of the slatwall for wall mounting devices of FIG. 7; and,

FIG. 12 is a bottom plan view of the slatwall for wall mounting devices of FIG. 7.

The dominant features of my design reside in multiple T-slots extending along the length of the slatwall for wall mounting devices and spaced apart, in combination with an angled slot extending along the top edge, back side, of the slatwall for wall mounting devices and an angled slot extending along the bottom edge, front side, of the slat wall.

1 Claim, 5 Drawing Sheets



(56)

References Cited

U.S. PATENT DOCUMENTS

3,139,205 A 6/1964 Haubrich
 3,409,260 A 11/1968 Bleed
 3,486,634 A 12/1969 Frater
 3,698,565 A 10/1972 Weber
 3,804,067 A 4/1974 Lehe
 RE28,834 E 6/1976 Johnson
 4,015,713 A 4/1977 Clipson
 4,308,961 A 1/1982 Kunce
 4,512,481 A 4/1985 Thalenfeld
 4,603,068 A 7/1986 Hunter
 4,618,192 A 10/1986 Kelley
 4,694,965 A 9/1987 Parnell
 4,805,784 A 2/1989 Solheim
 4,809,479 A 3/1989 Tierno
 4,817,900 A 4/1989 Whittington
 D301,424 S 6/1989 Beirise
 D310,103 S 8/1990 Beirise
 D323,591 S * 2/1992 Stravitz D6/487
 5,170,605 A 12/1992 Huddle
 5,224,610 A 7/1993 Veazey
 5,228,579 A 7/1993 Kaufman
 5,293,728 A 3/1994 Christopher
 5,379,976 A 1/1995 DeGirolamo
 5,409,120 A 4/1995 Miller
 5,647,184 A 7/1997 Davis
 5,775,521 A 7/1998 Tisbo
 D399,010 S 9/1998 Current
 5,799,803 A 9/1998 Muller
 D414,567 S 9/1999 Burt
 6,006,486 A 12/1999 Moriau
 6,119,878 A 9/2000 Zen
 6,123,154 A 9/2000 MacDonald, III
 6,325,223 B1 * 12/2001 Hannen 211/87.01
 6,612,527 B1 9/2003 Nagel
 6,763,957 B1 7/2004 Mullerleile
 6,811,043 B2 11/2004 Perkins
 6,892,498 B1 5/2005 Roman
 6,964,085 B2 11/2005 Boda

7,089,708 B1 8/2006 Bostock
 7,104,023 B1 9/2006 Holztrager
 7,185,469 B2 3/2007 Schaffeld
 7,228,977 B2 * 6/2007 Perkins et al. 211/94.01
 D551,781 S 9/2007 Abdullah
 7,527,156 B2 5/2009 Wisnoski
 7,686,172 B2 3/2010 Wisnoski
 7,694,925 B2 4/2010 Kokenge
 7,717,279 B2 5/2010 Lawson
 D617,583 S 6/2010 Daino
 7,900,781 B2 3/2011 Baine
 7,913,730 B2 3/2011 Schaffeld
 7,954,651 B2 6/2011 Kao
 8,033,404 B2 10/2011 Keller
 8,056,739 B2 11/2011 Hopkins
 8,113,476 B2 2/2012 Serio
 8,434,835 B2 5/2013 Hardy
 2005/0029210 A1 2/2005 Perkins
 2006/0091094 A1 5/2006 Schubert
 2007/0181517 A1 8/2007 Perkins
 2007/0221594 A1 9/2007 Pierro
 2008/0010938 A1 1/2008 Hannig
 2008/0105636 A1 5/2008 Lawson
 2008/0302744 A1 12/2008 Rosenberg
 2009/0134290 A1 5/2009 Begic
 2009/0145867 A1 6/2009 Apgood
 2010/0122505 A1 5/2010 Jakiel
 2010/0213346 A1 8/2010 Chen
 2010/0269443 A1 10/2010 Shen
 2011/0042333 A1 2/2011 Magnusson
 2011/0226715 A1 9/2011 Schwartzkopf
 2011/0303798 A1 12/2011 Bader

FOREIGN PATENT DOCUMENTS

CN 201515932 6/2010
 WO 2009048689 A1 4/2009
 WO 2011032772 A1 3/2011
 WO 2011146794 A2 11/2011

* cited by examiner

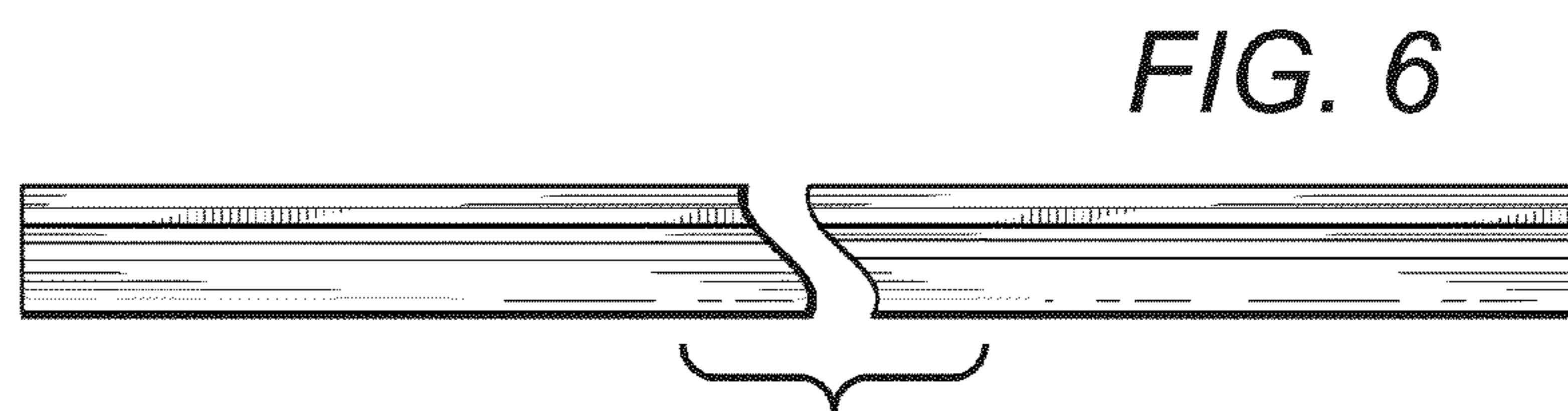
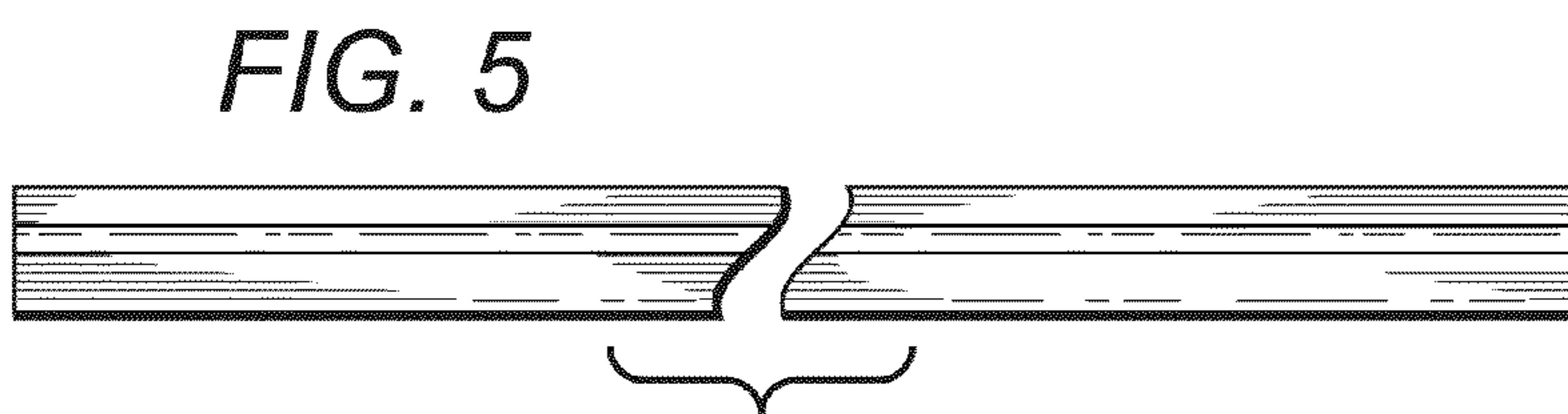
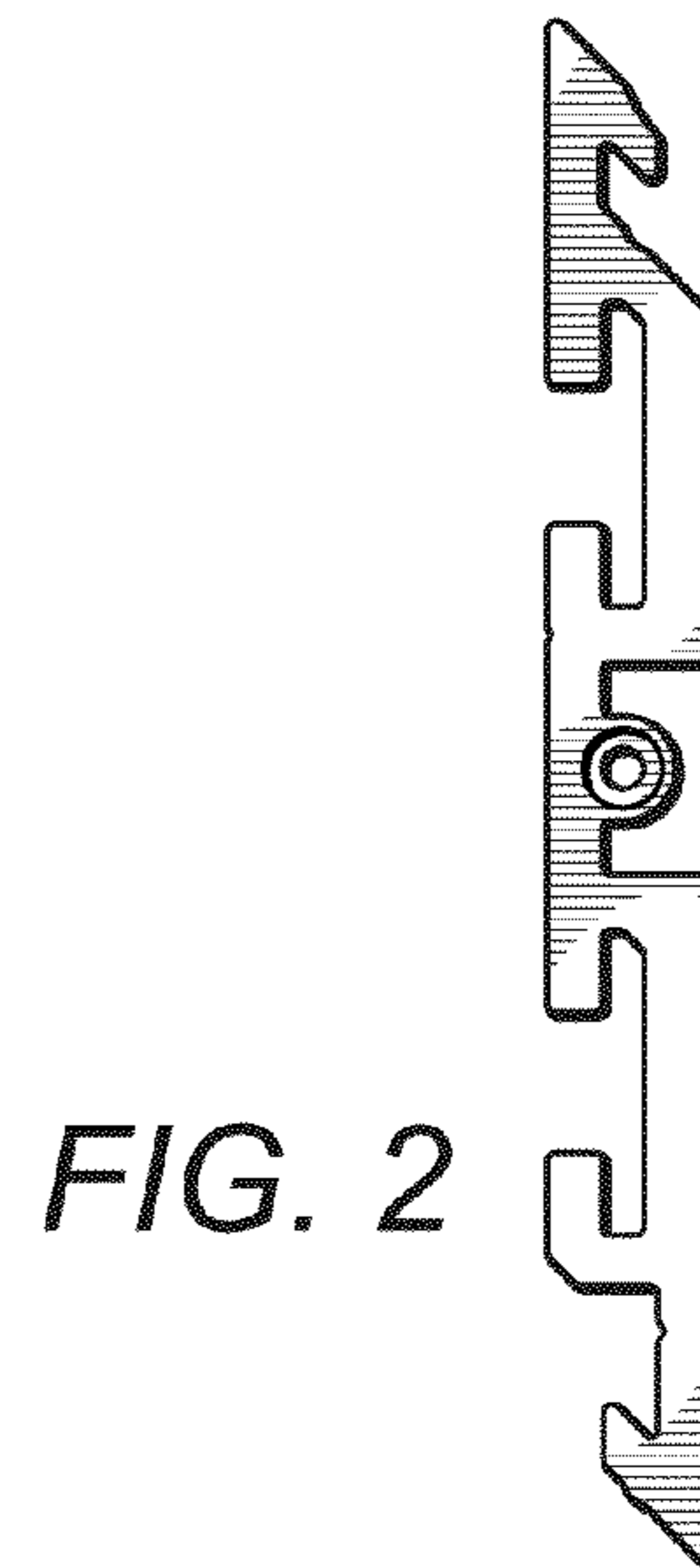
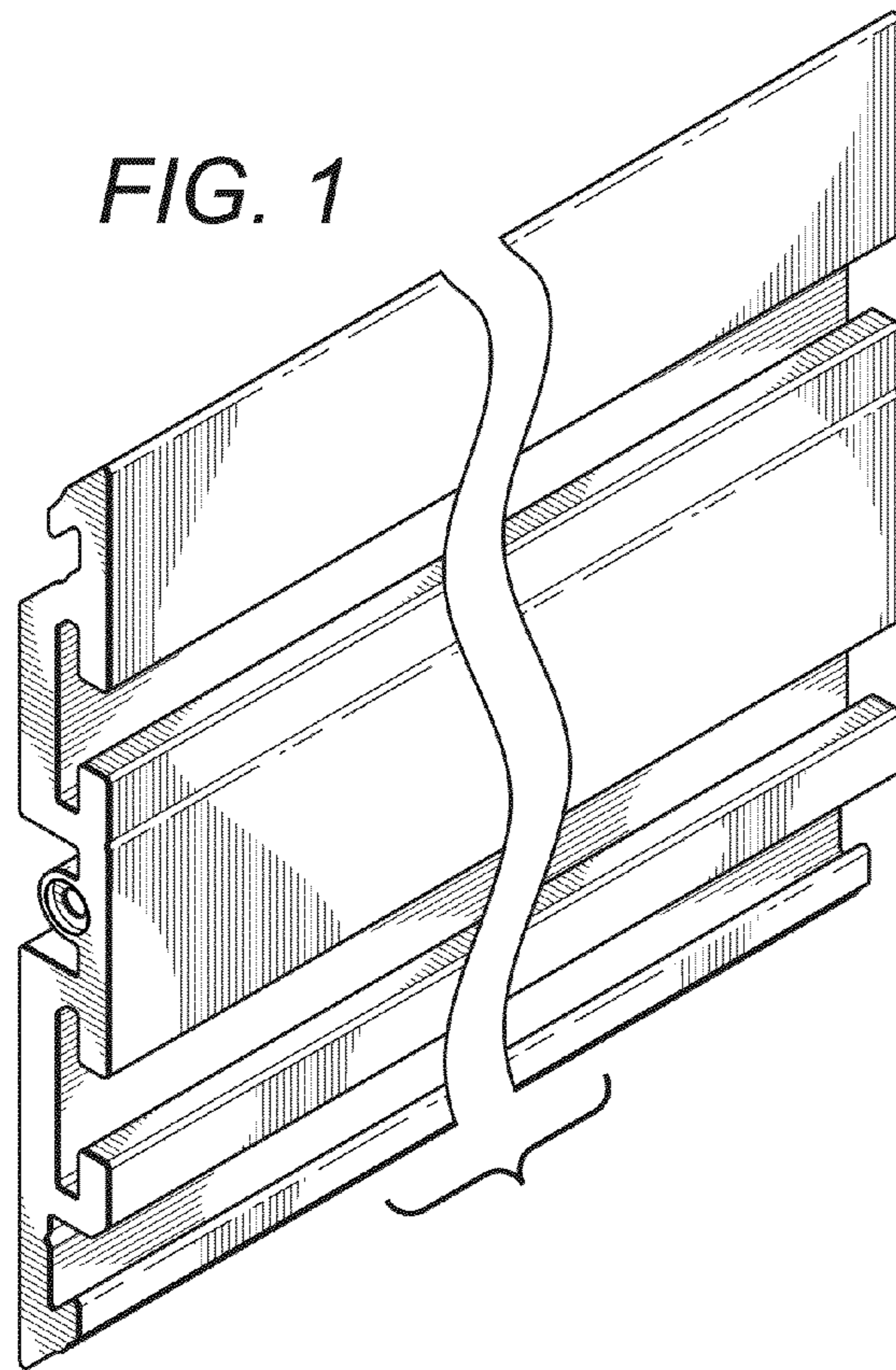


FIG. 3

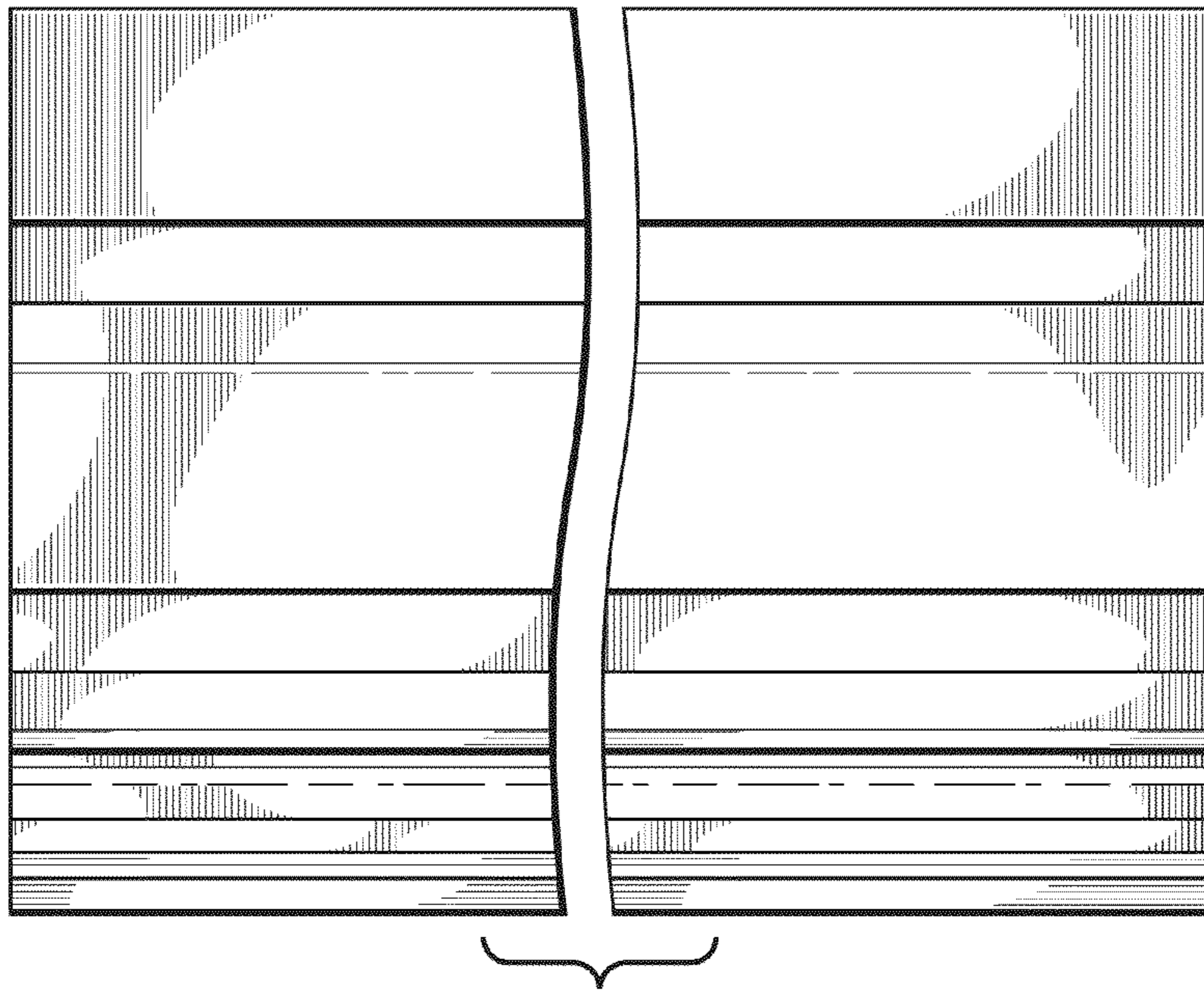


FIG. 4

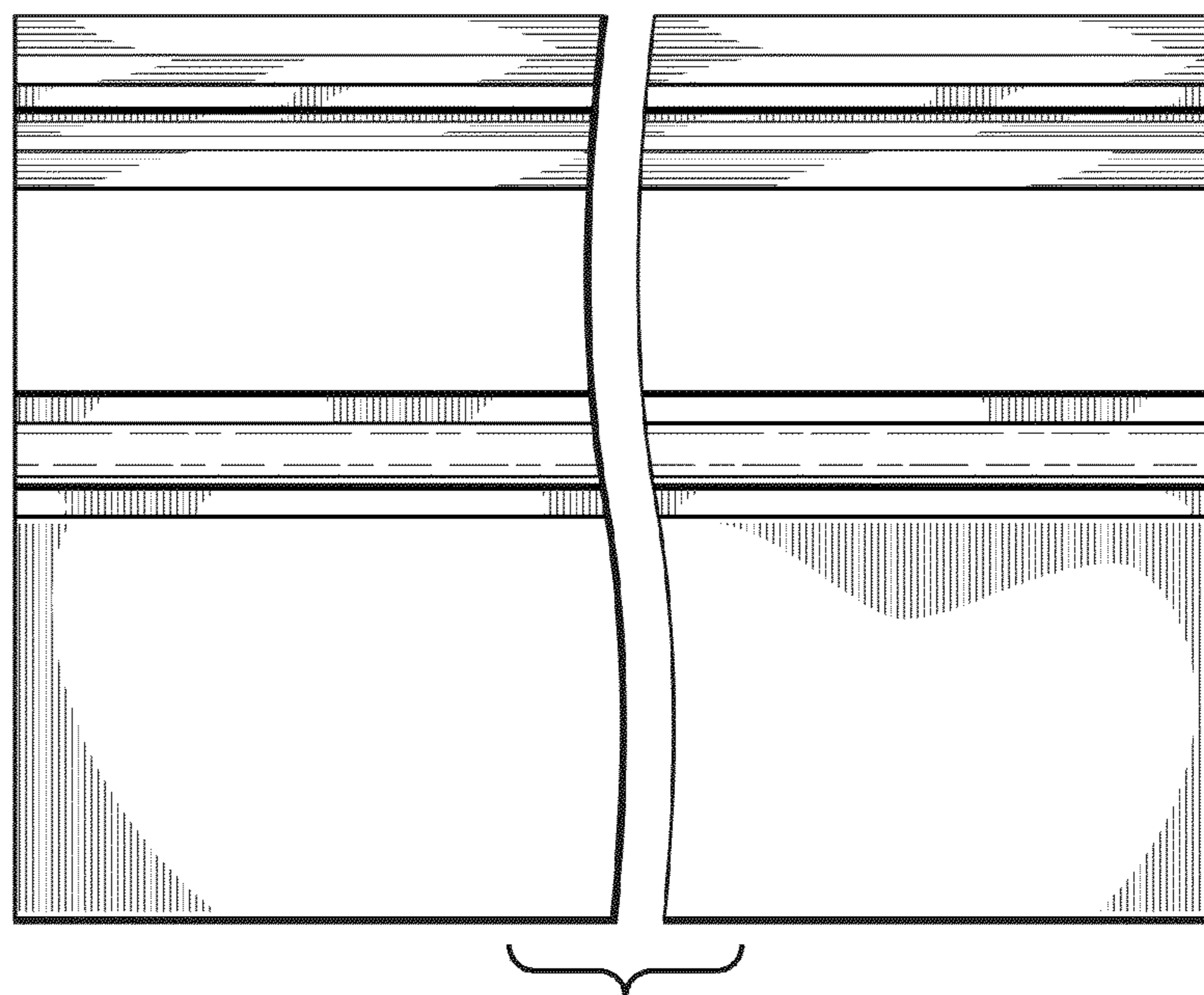


FIG. 7

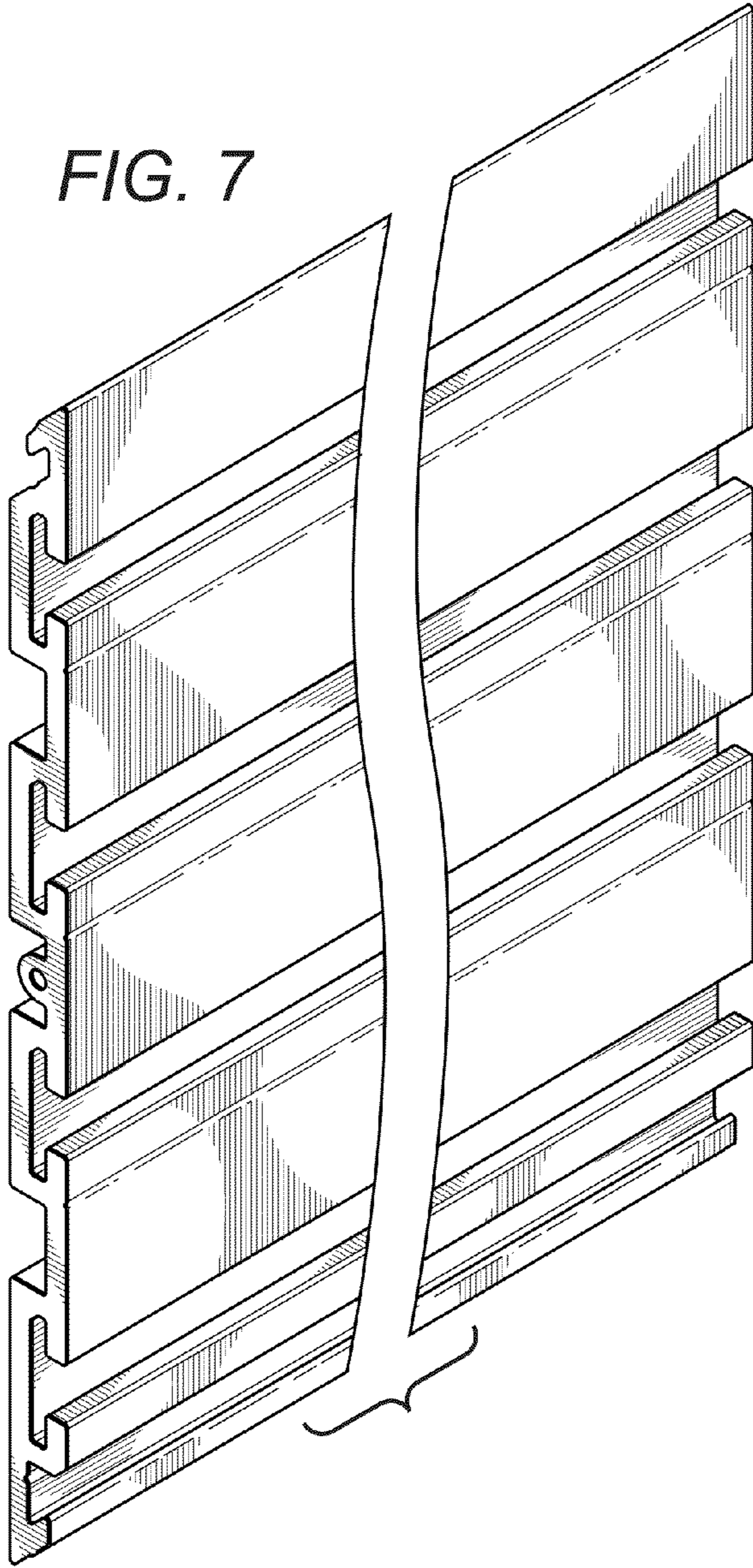


FIG. 8



FIG. 9

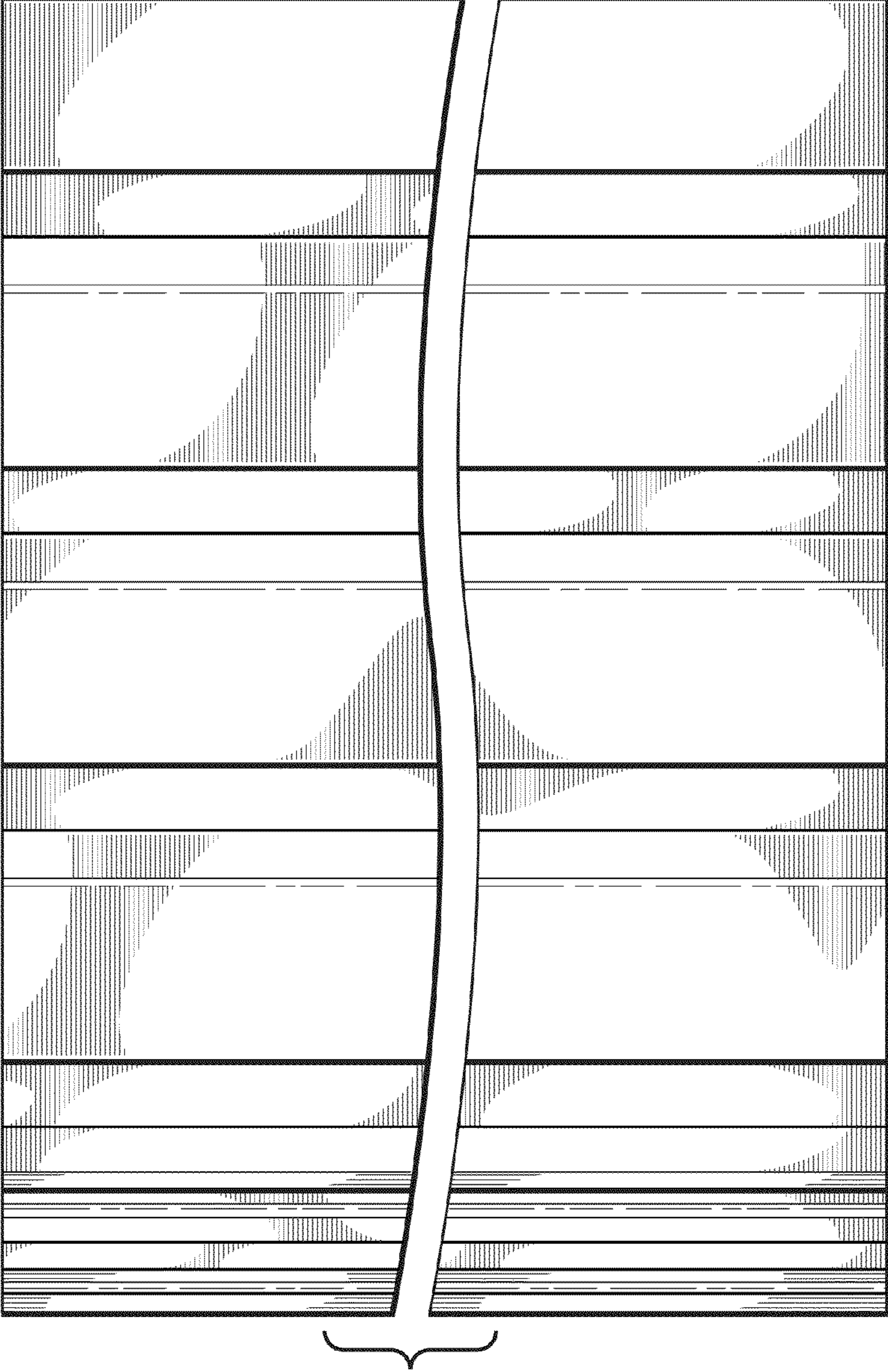


FIG. 11



FIG. 10

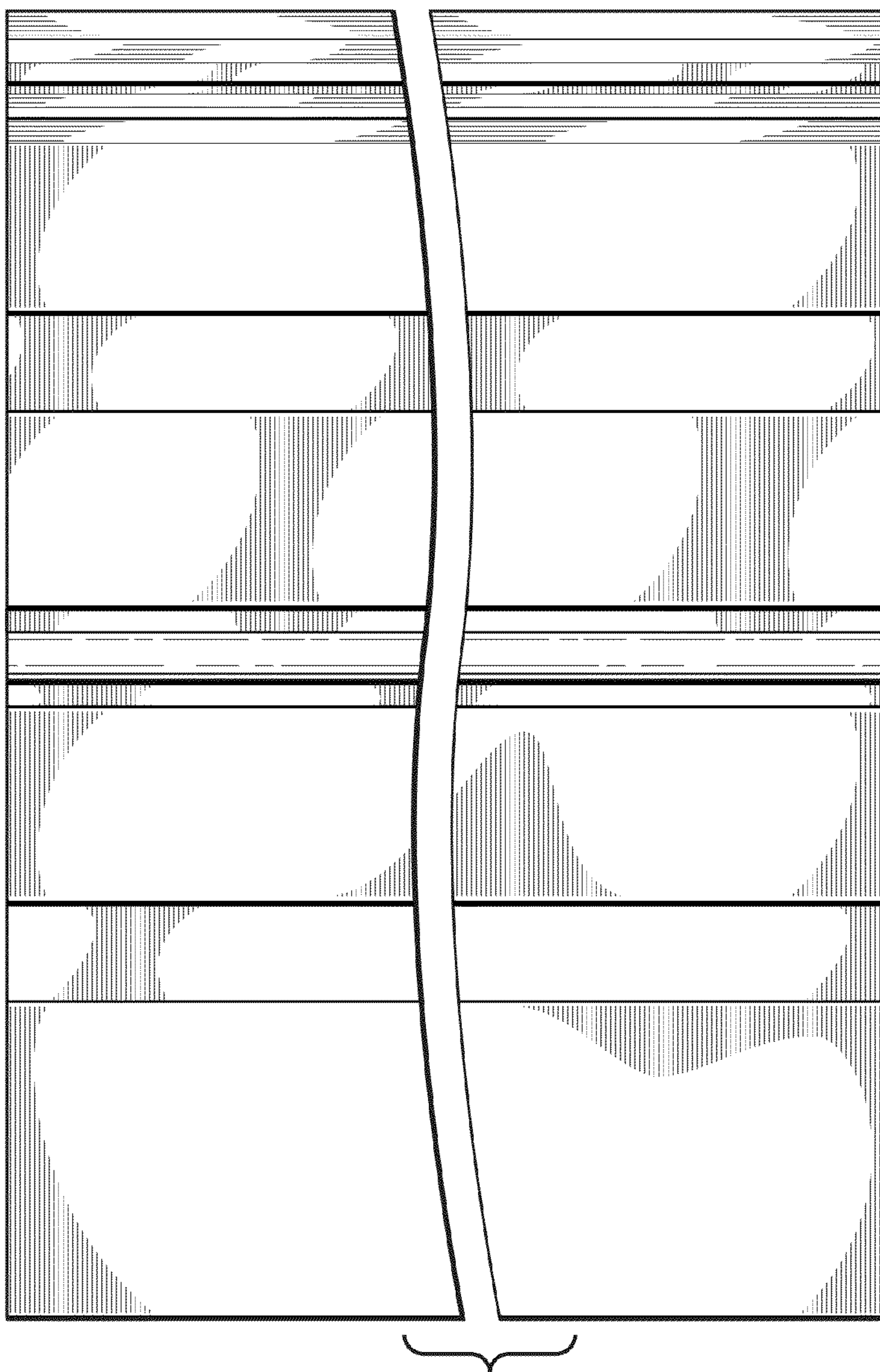


FIG. 12

