



US00D704481S

(12) **United States Design Patent**
Gaschy et al.

(10) **Patent No.:** **US D704,481 S**

(45) **Date of Patent:** **** May 13, 2014**

(54) **STORAGE FURNITURE**

(71) Applicant: **Steelcase S.A.**, Schiltigheim (FR)

(72) Inventors: **Bryony Gaschy**, Oberhausbergen (FR);
Alban Moriniere, Strasbourg (FR);
Oscar Doll, Strasbourg (FR)

(73) Assignee: **Steelcase S.A.**, Schiltigheim (FR)

(**) Term: **14 Years**

(21) Appl. No.: **29/472,117**

(22) Filed: **Nov. 8, 2013**

(30) **Foreign Application Priority Data**

Sep. 10, 2013 (EM) 002306068-0001

(51) **LOC (10) Cl.** **06-06**

(52) **U.S. Cl.**
USPC **D6/673**

(58) **Field of Classification Search**

USPC D6/396-397, 466-467, 470-471, 473,
D6/449-450, 491-492, 509-511, 672, 673,
D6/675, 683; 211/40, 41.1, 41.2, 41.5,
211/41.12; 220/35, 4.33, 476, 523; 312/9.1,
312/9.8-9.9, 9.47, 9.49, 9.51-9.56, 9.64
See application file for complete search history.

(56) **References Cited**

U.S. PATENT DOCUMENTS

3,216,582 A 11/1965 Johnson et al.
D269,657 S 7/1983 Taylor
D275,918 S 10/1984 Taylor
D284,758 S * 7/1986 Maloney D13/137.3
D284,917 S * 8/1986 Canter D6/476
D295,168 S * 4/1988 Pisciotta D13/156

D309,059 S 7/1990 Bledsoe
D344,838 S 3/1994 Hakansson
D349,887 S * 8/1994 Page D13/162
D360,898 S 8/1995 Huerto et al.
5,566,961 A 10/1996 Snell et al.
D382,405 S 8/1997 Ohayon
D425,703 S 5/2000 Ohayon
D484,140 S 12/2003 Rowell
D485,307 S 1/2004 Sheldon et al.
D494,775 S * 8/2004 Birmingham D6/456
D519,751 S * 5/2006 Etter D6/449
D523,665 S 6/2006 Schulman
D579,232 S * 10/2008 Auberger et al. D6/436
D614,572 S * 4/2010 Oddsen et al. D13/139.1
D626,747 S 11/2010 Brown et al.

(Continued)

FOREIGN PATENT DOCUMENTS

CA 2716735 A1 9/2009

Primary Examiner — Kelley Donnelly

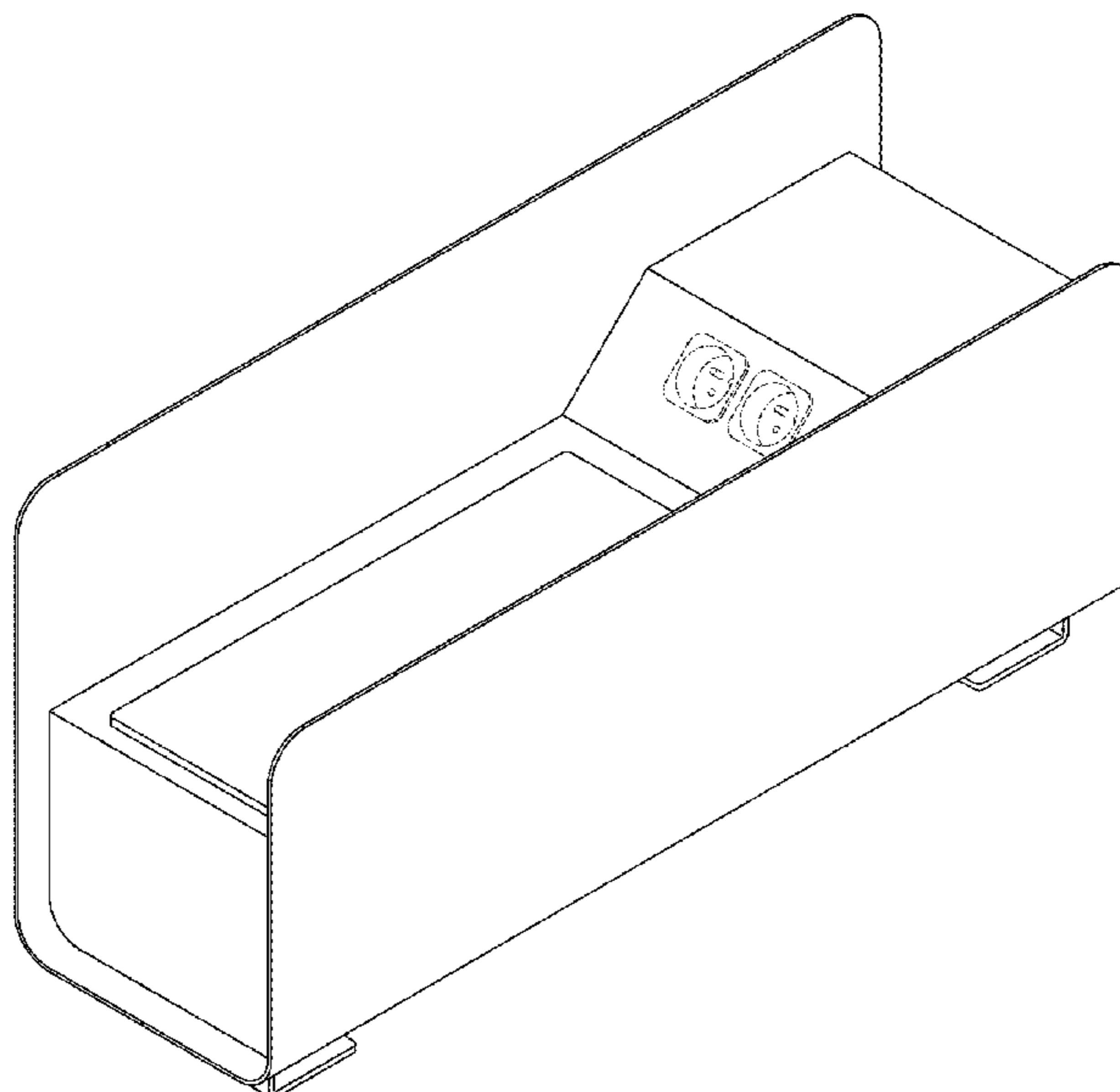
(57) **CLAIM**

We claim the ornamental design for storage furniture, as shown and described.

DESCRIPTION

FIG. 1 is a front perspective view of storage furniture, according to one embodiment;
FIG. 2 is a front view of storage furniture of FIG. 1;
FIG. 3 is a rear view of storage furniture of FIG. 1;
FIG. 4 is a right side view of storage furniture of FIG. 1;
FIG. 5 is a left side view of storage furniture of FIG. 1;
FIG. 6 is a top view of storage furniture of FIG. 1; and,
FIG. 7 is a bottom view of storage furniture of FIG. 1.
The dashed lines are for purposes of illustrating environmental structure and form no part of the claimed design.

1 Claim, 3 Drawing Sheets



(56)

References Cited

U.S. PATENT DOCUMENTS

D640,982 S *	7/2011	Dixon et al.	D13/152	8,109,216 B2 *	2/2012	Nono et al.	108/110
D649,192 S	11/2011	Beukema et al.		D658,407 S	5/2012	Pung et al.	
D651,651 S	1/2012	Beukema et al.		D660,058 S	5/2012	Kincaid et al.	
D652,660 S *	1/2012	Roeske	D6/515	D661,919 S *	6/2012	Hester	D6/407
				D666,829 S	9/2012	Liao	
				D689,718 S *	9/2013	Puckett	D6/683

* cited by examiner

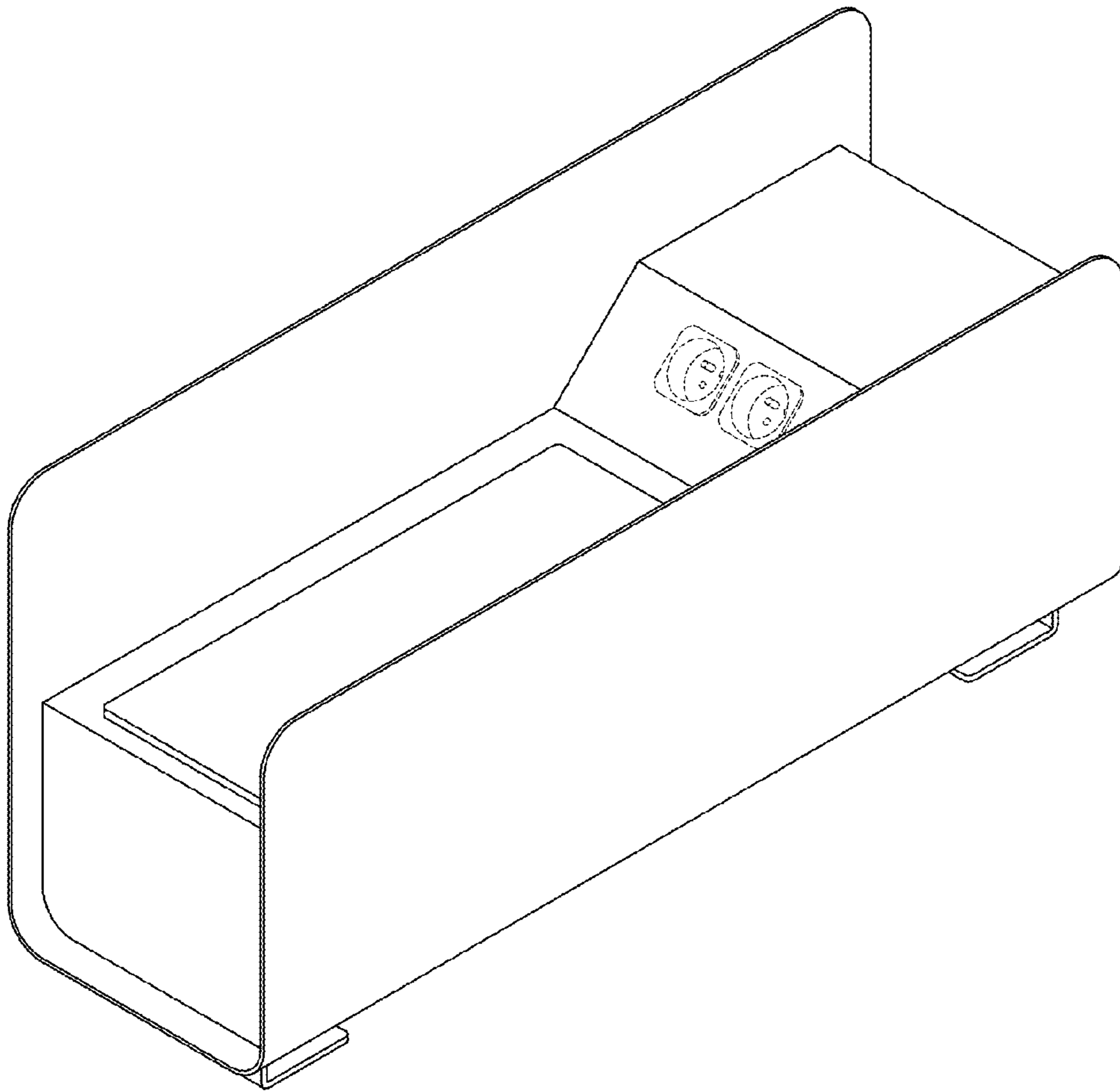


FIG. 1

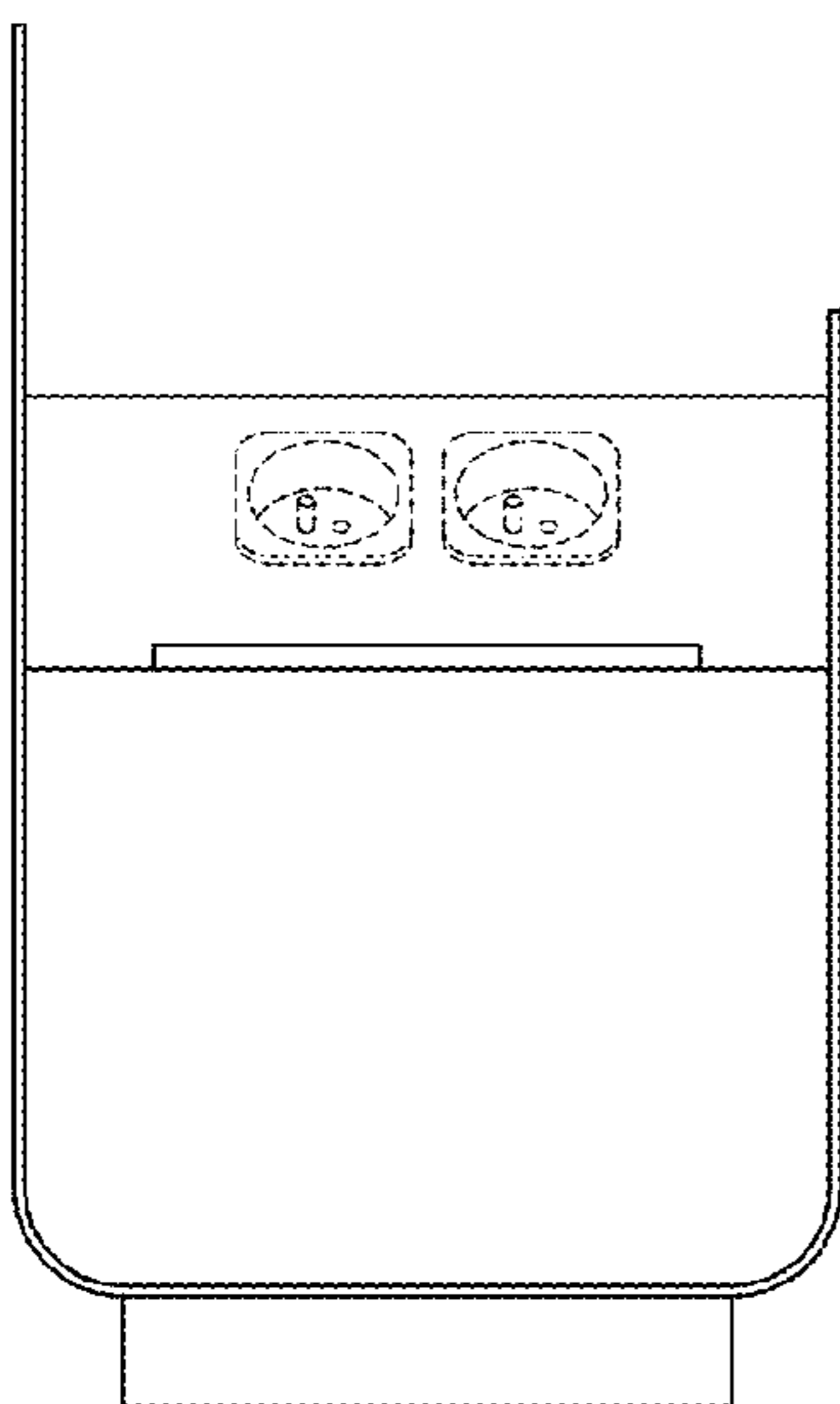


FIG. 2

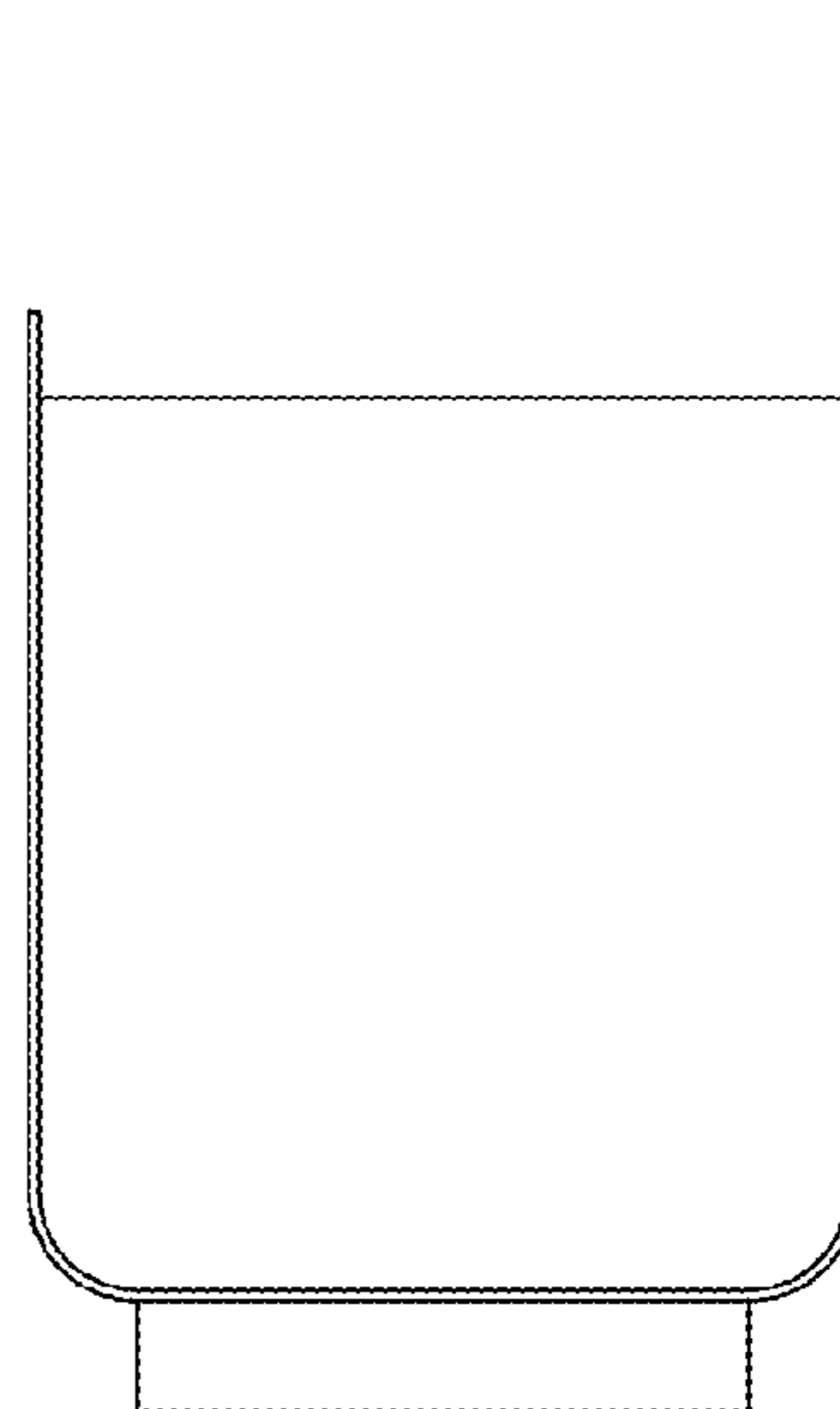


FIG. 3

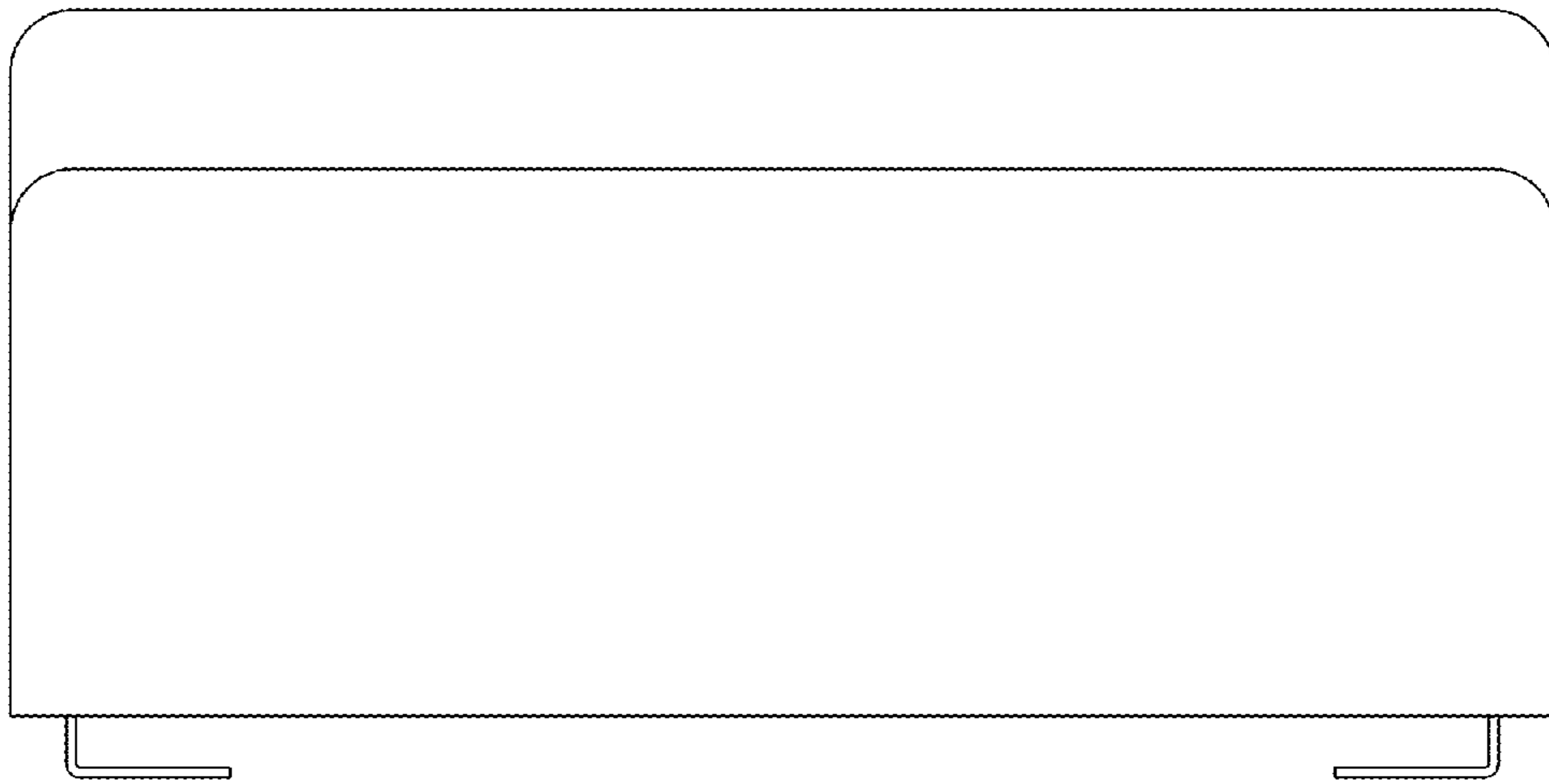


FIG. 4

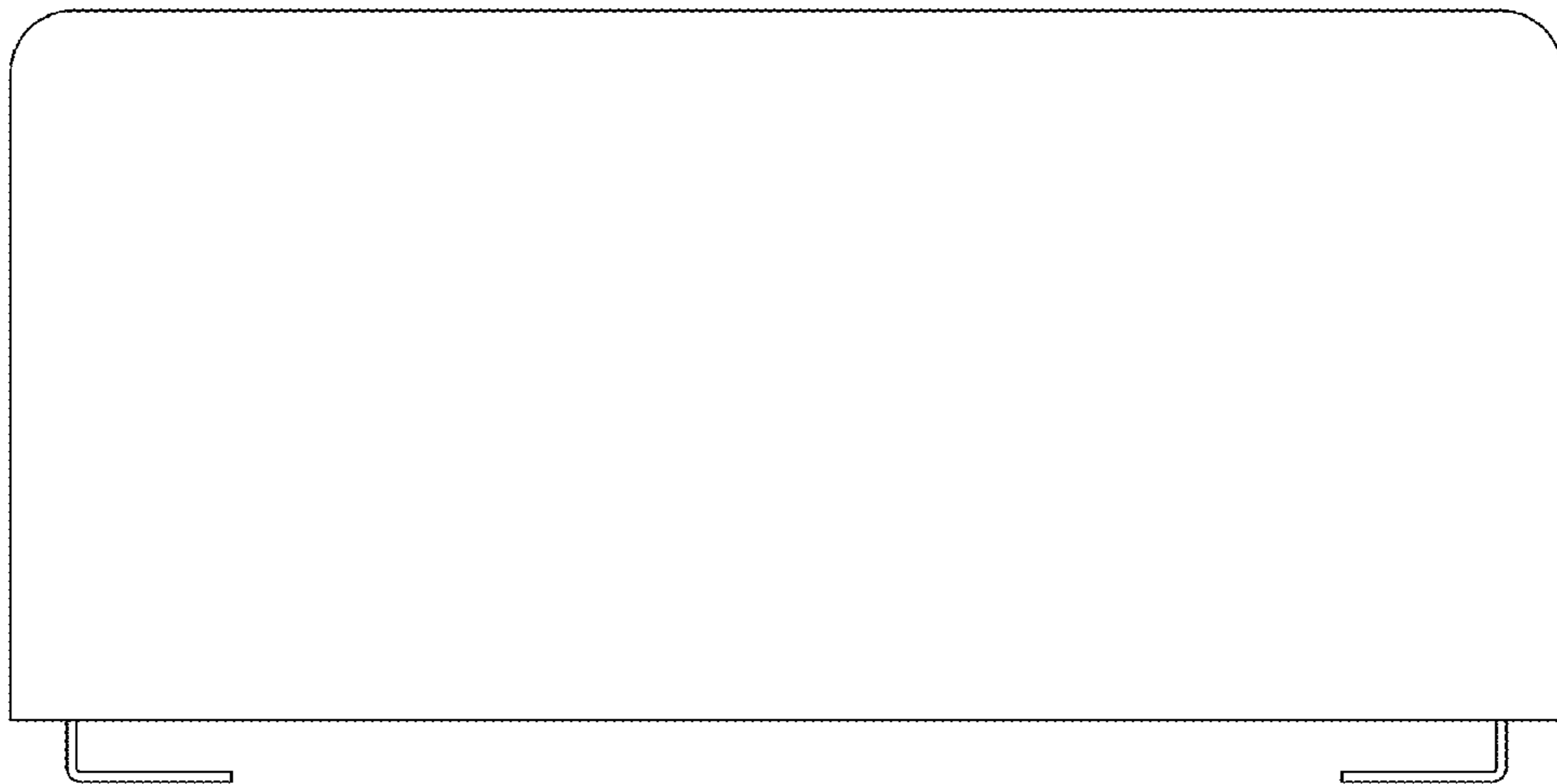


FIG. 5

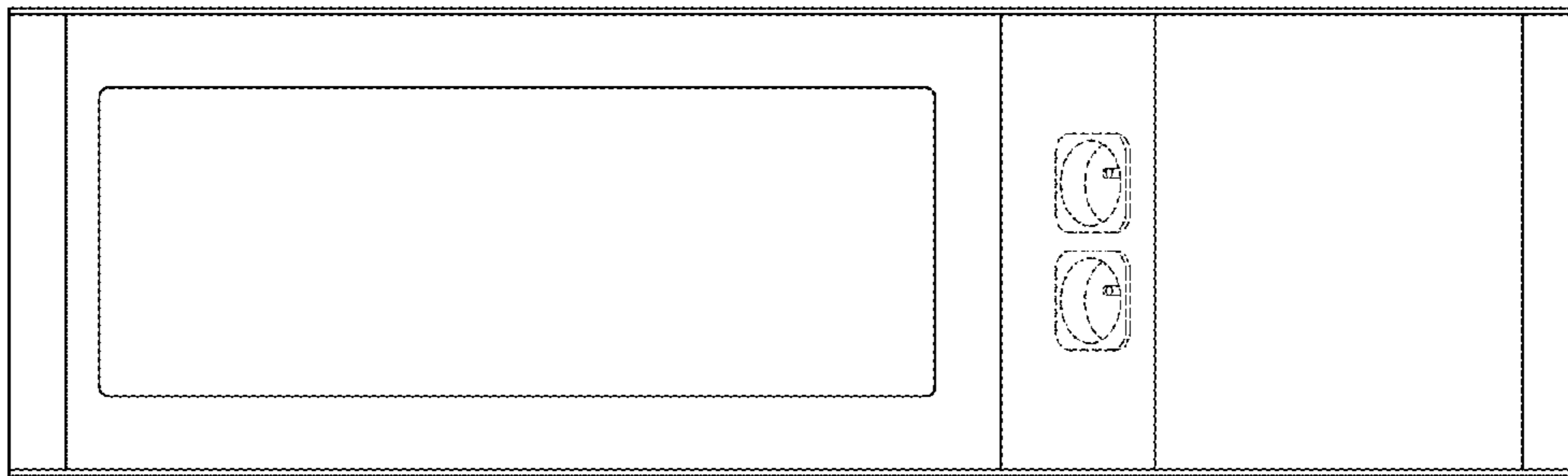


FIG. 6



FIG. 7