



US00D704480S

(12) **United States Design Patent**
Zambelli

(10) **Patent No.:** **US D704,480 S**

(45) **Date of Patent:** **** May 13, 2014**

(54) **AUDIO VIDEO SHELVING UNIT**

(71) Applicant: **Bell'O International Corp.**,
Morganville, NJ (US)

(72) Inventor: **Michael P. Zambelli**, Basking Ridge, NJ
(US)

(73) Assignee: **Bell'O International Corp.**,
Morganville, NJ (US)

(**) Term: **14 Years**

(21) Appl. No.: **29/441,888**

(22) Filed: **Jan. 10, 2013**

(51) **LOC (10) Cl.** **06-04**

(52) **U.S. Cl.**
USPC **D6/661**

(58) **Field of Classification Search**
USPC D6/657, 660, 661, 662, 662.1, 663, 664,
D6/671, 671.1, 671.2, 671.3, 671.4, 675.1;
312/7.2, 9.1, 114, 117, 204, 224,
312/257.1, 278, 279

See application file for complete search history.

(56) **References Cited**

U.S. PATENT DOCUMENTS

D454,731 S	3/2002	Niitsu et al.
D458,053 S	6/2002	Luong
D459,118 S	6/2002	Antonioni
D472,073 S	3/2003	de Carolis
D472,074 S	3/2003	de Carolis
D472,075 S	3/2003	de Carolis
D489,548 S	5/2004	Malizia et al.
D491,748 S	6/2004	deCarolis
D491,749 S	6/2004	Malizia et al.
D491,750 S	6/2004	Bertoncini et al.
D491,753 S	6/2004	deCarolis
D492,860 S	7/2004	Bertoncini et al.
D493,982 S	8/2004	deCarolis
D496,807 S	10/2004	deCarolis

D497,060 S	10/2004	Chang et al.
D497,061 S	10/2004	Decarolis
D499,274 S	* 12/2004	Juneau et al. D6/657
D505,573 S	5/2005	Malizia
D506,329 S	6/2005	Sexton
D507,433 S	7/2005	Portnoy
D507,900 S	8/2005	Sexton
D508,172 S	8/2005	Malizia et al.
D515,337 S	2/2006	deCarolis
D515,849 S	2/2006	Niu
D516,838 S	3/2006	Portnoy
D516,840 S	3/2006	deCarolis

(Continued)

OTHER PUBLICATIONS

Bell'O 2011-12 Product Catalog.

Primary Examiner — Mimoso De

(74) *Attorney, Agent, or Firm* — Lerner, David, Littenberg,
Krumholz & Mentlik, LLP

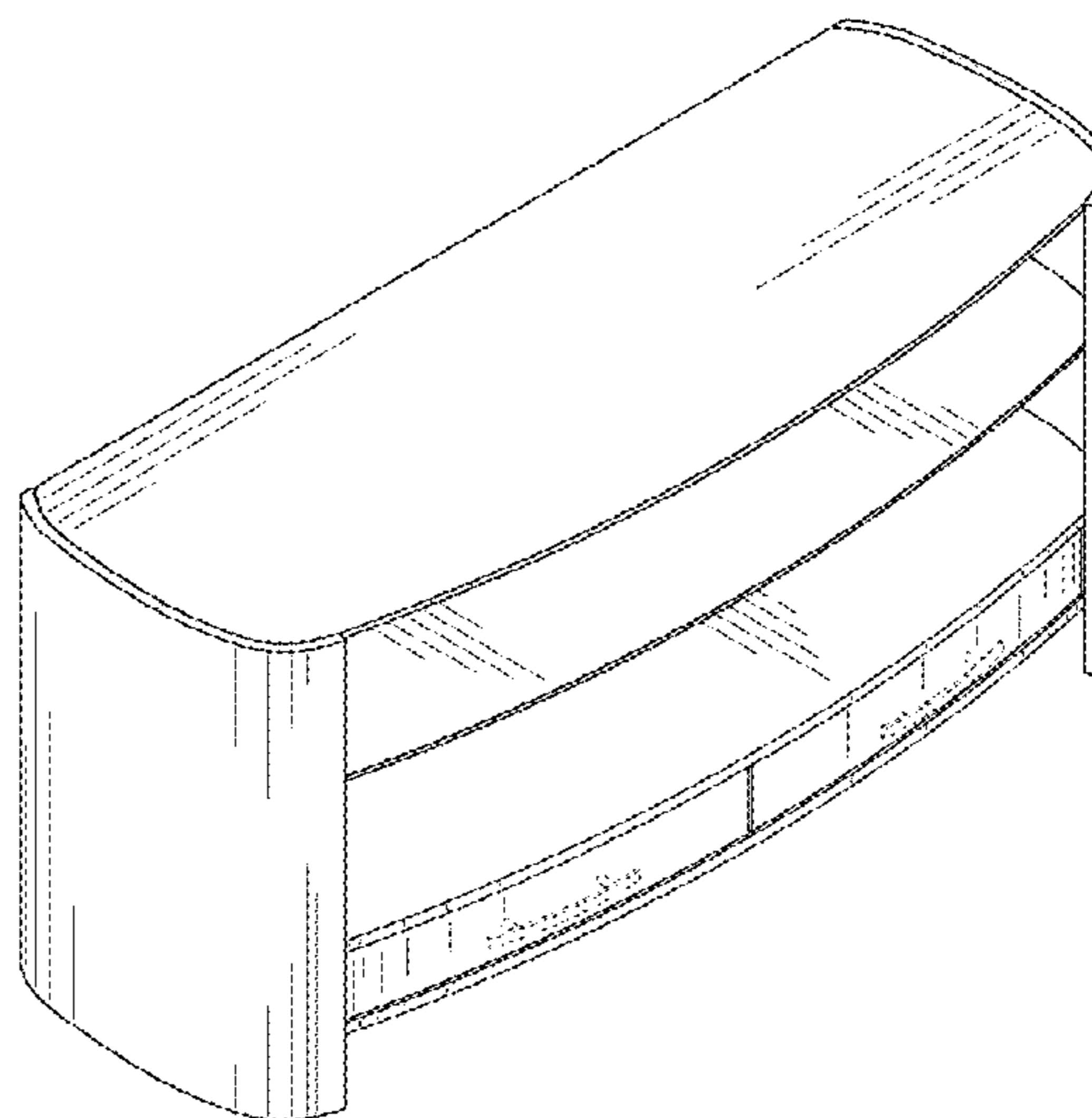
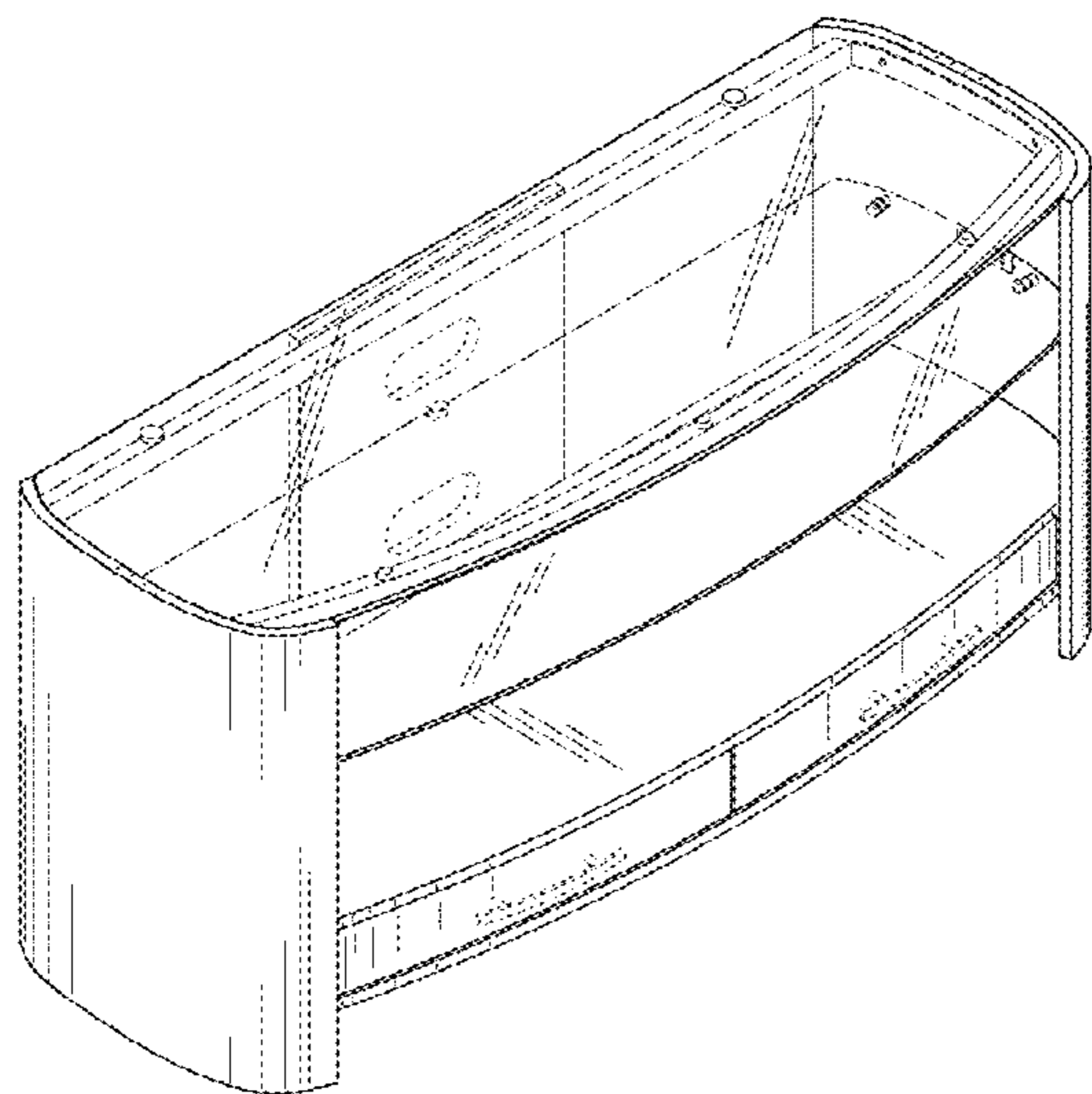
(57) **CLAIM**

The ornamental design for audio video shelving unit, as shown and described.

DESCRIPTION

FIG. 1 is a front perspective view of a first embodiment of the audio video shelving unit;
FIG. 2 is a front elevational view thereof;
FIG. 3 is a rear elevational view thereof;
FIG. 4 is a top plan view thereof;
FIG. 5 is a right side view thereof (the left side being a mirror image of the right side view);
FIG. 6 is a front perspective view of a second embodiment of the audio video shelving unit; and,
FIG. 7 is a top plan view of the embodiment shown in FIG. 6 (all other views of the second embodiment having the same appearance as FIGS. 2, 3 and 5).
The broken lines shown on the drawings are included for the purpose of illustration and form no part of the claimed design.

1 Claim, 5 Drawing Sheets



(56)

References Cited

U.S. PATENT DOCUMENTS

D516,847 S	3/2006	Stenhouse et al.	
D519,757 S	5/2006	Portnoy	
D522,773 S *	6/2006	Becker	D6/661
D524,080 S	7/2006	Stenhouse et al.	
D524,578 S	7/2006	Stenhouse et al.	
D525,052 S	7/2006	Malizia et al.	
D525,054 S	7/2006	Stenhouse et al.	
D527,208 S	8/2006	Malizia et al.	
D535,497 S	1/2007	Portnoy	
D537,656 S	3/2007	Stenhouse et al.	
D540,067 S	4/2007	Chung	
D542,059 S	5/2007	Moyle et al.	
D543,729 S	6/2007	Weatherly	
D549,991 S	9/2007	Stravitz	
D554,393 S	11/2007	Yalif	
D555,397 S	11/2007	Yalif	
D559,583 S	1/2008	Zambelli	
D559,584 S	1/2008	Zambelli	
D559,585 S *	1/2008	Lara	D6/657
D560,077 S	1/2008	Zambelli	
D560,401 S	1/2008	Hoglan et al.	
D562,593 S	2/2008	Zambelli	
D563,695 S	3/2008	Yamaguchi	
D564,260 S	3/2008	deCarolis	
D564,261 S	3/2008	Sculler	
D564,789 S	3/2008	deCarolis	
D564,796 S	3/2008	Zambelli	
D564,797 S	3/2008	Yamaguchi	
D587,483 S	3/2009	Zambelli	
D587,484 S *	3/2009	Domack et al.	D6/661
D587,496 S	3/2009	Weitz	
D587,497 S	3/2009	Zambelli	
D589,280 S	3/2009	Weitz	
D590,636 S	4/2009	Ou Yang et al.	
D590,637 S	4/2009	Portnoy	
D592,428 S	5/2009	Zambelli	
D594,248 S	6/2009	Zambelli	
D595,978 S	7/2009	Portnoy et al.	
D599,577 S *	9/2009	Lara	D6/660
D599,584 S	9/2009	Zambelli	
D604,962 S	12/2009	Daud	
D605,874 S	12/2009	Zambelli	
D610,836 S	3/2010	Kohler	
D612,172 S	3/2010	Portnoy	
D612,634 S	3/2010	Zambelli	
D616,672 S	6/2010	Sculler et al.	
D619,827 S	7/2010	Sculler et al.	
D619,828 S	7/2010	Connor et al.	
D620,278 S	7/2010	Zambelli	
D620,284 S	7/2010	Zambelli	
D620,285 S	7/2010	Sculler et al.	
D623,442 S	9/2010	Zambelli	
D623,443 S	9/2010	Zambelli	
D623,876 S	9/2010	Zambelli	
D623,877 S	9/2010	Zambelli	
D625,123 S	10/2010	Zambelli	
D630,453 S *	1/2011	Rafieha	D6/661
D641,183 S	7/2011	Portnoy	
D641,995 S	7/2011	Zambelli	
D643,649 S	8/2011	Chung	
D644,043 S	8/2011	Portnoy	
D644,454 S	9/2011	Chung	
D644,853 S *	9/2011	Becker et al.	D6/661
D646,910 S	10/2011	Portnoy	
D648,573 S	11/2011	Sculler	
D651,826 S	1/2012	Tseng et al.	
D653,057 S	1/2012	Sexton	
D654,289 S	2/2012	Zambelli	
D655,946 S *	3/2012	Sexton	D6/661
D662,728 S	7/2012	Portnoy	
D662,729 S	7/2012	Zambelli	
D663,135 S	7/2012	Zambelli	
D663,137 S	7/2012	Andersen	
D663,138 S	7/2012	Andersen et al.	
D663,139 S	7/2012	Zambelli	
D663,551 S	7/2012	Zambelli et al.	
D668,475 S	10/2012	Zambelli	
D669,704 S	10/2012	Zambelli	
D669,706 S	10/2012	Zambelli	
D669,707 S	10/2012	Zambelli	
D687,250 S *	8/2013	Weatherly	D6/661

* cited by examiner

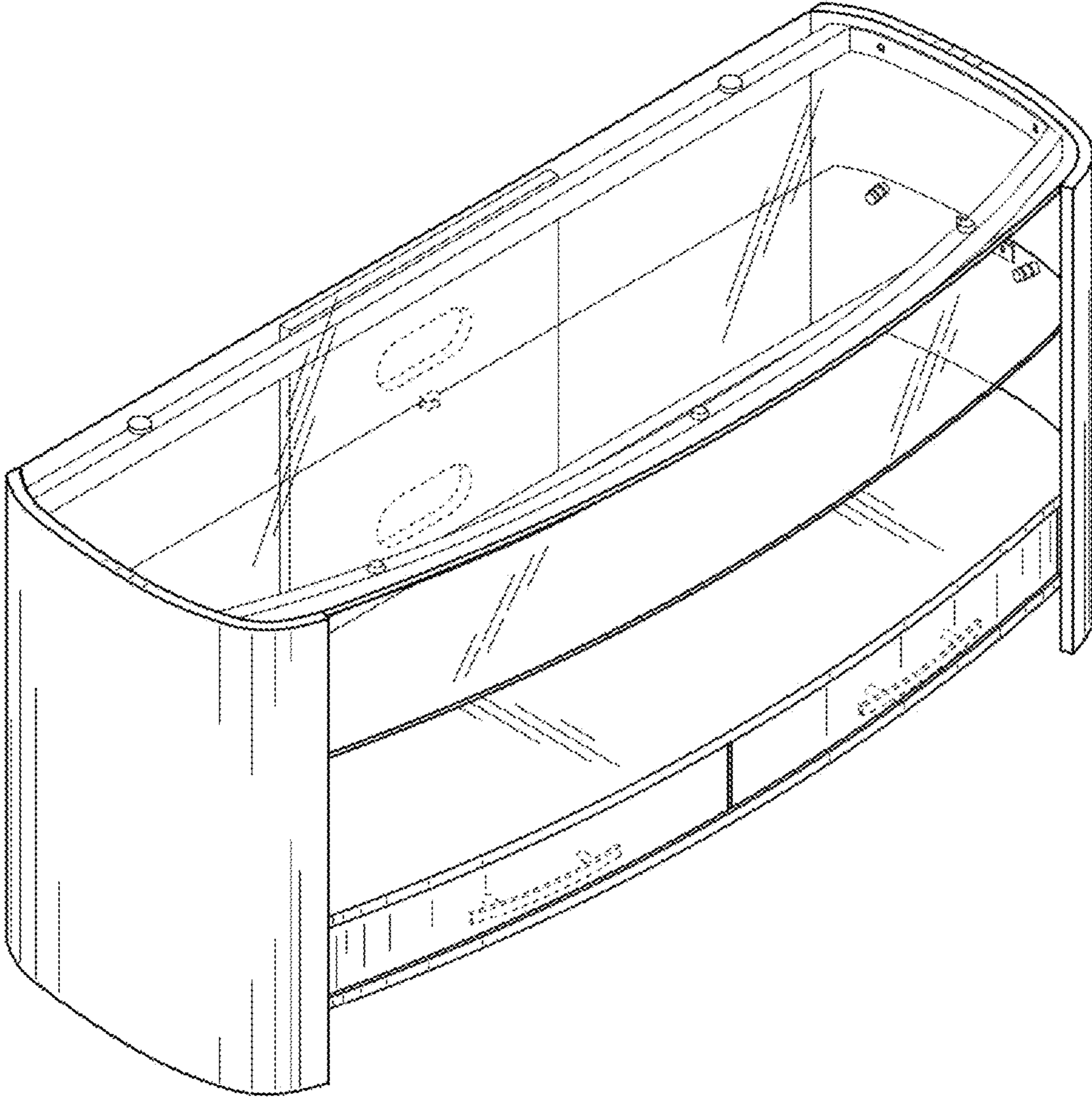


FIG. 1

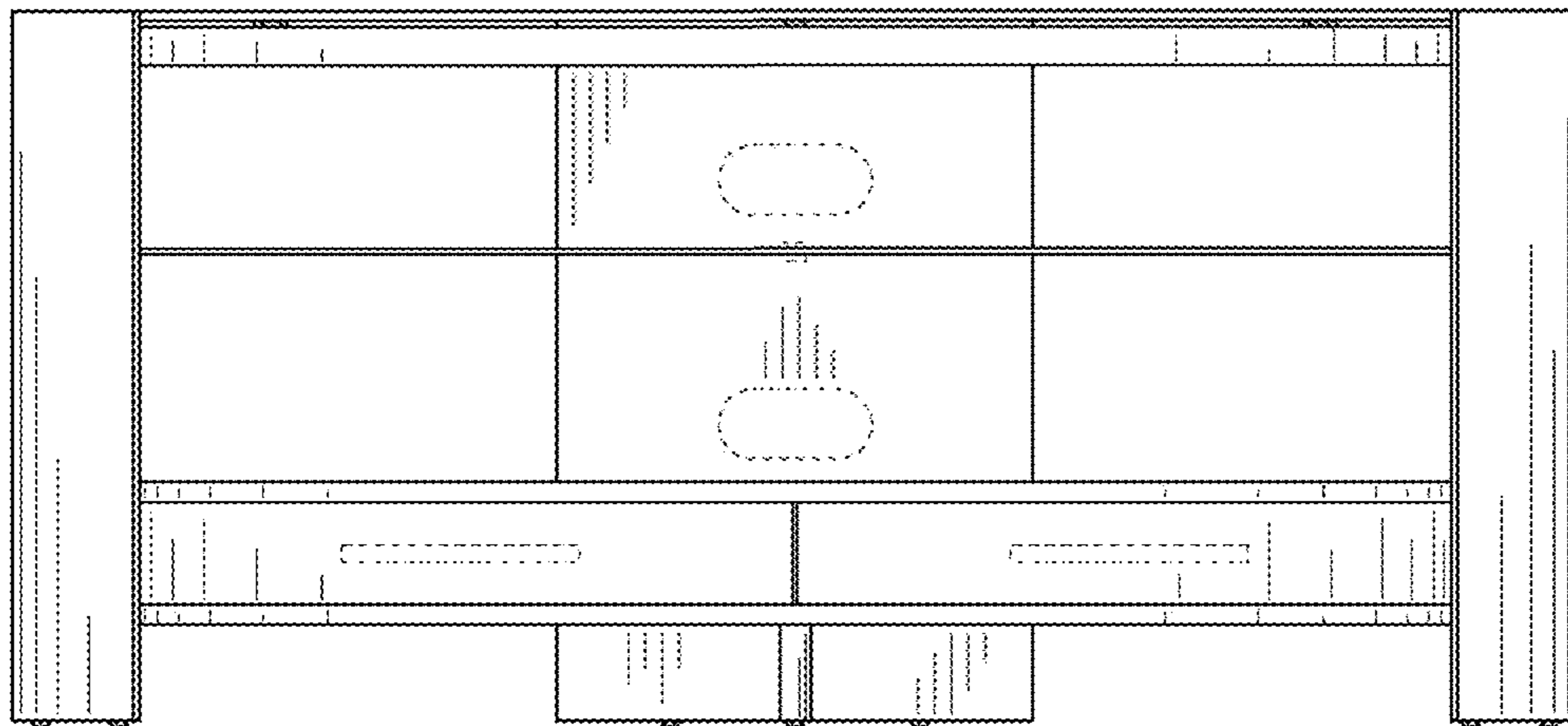


FIG. 2

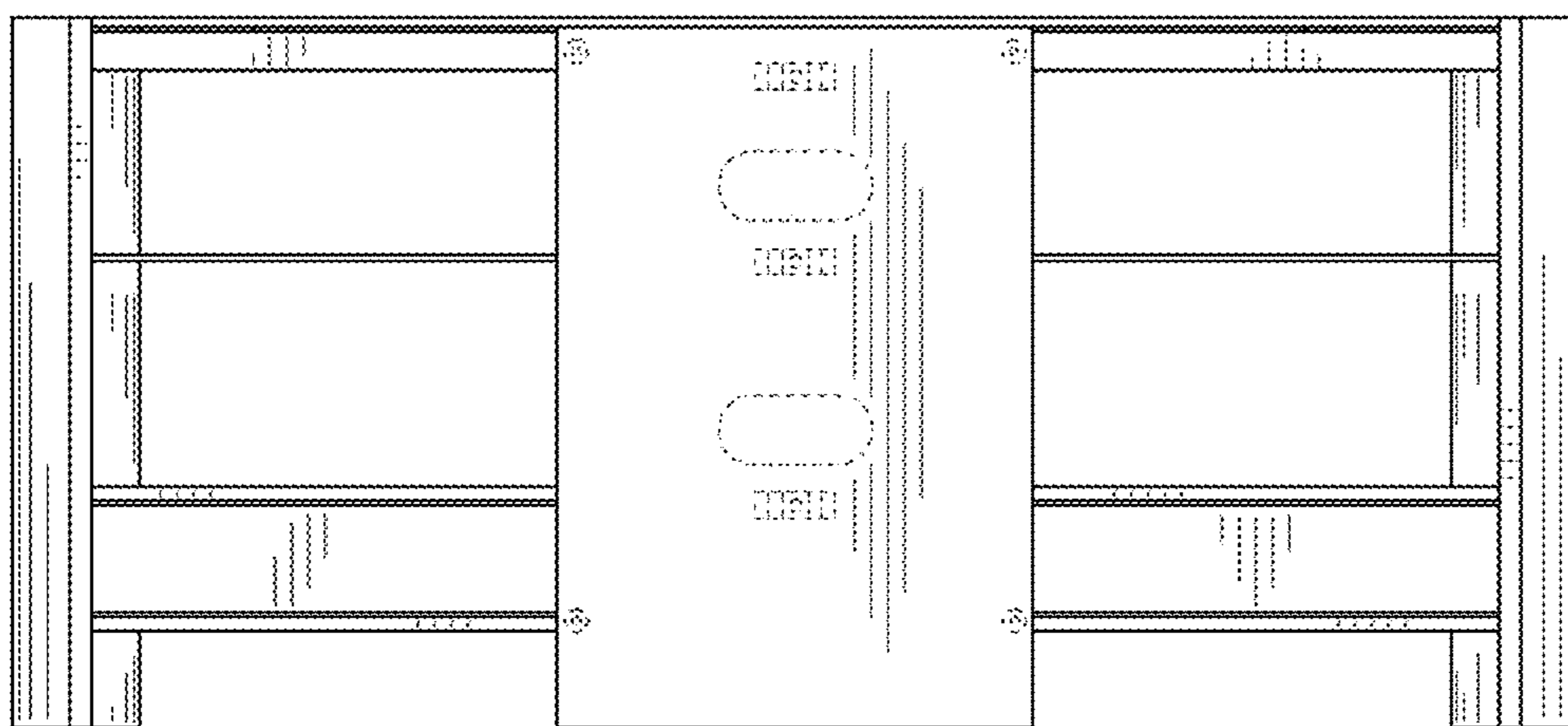


FIG. 3

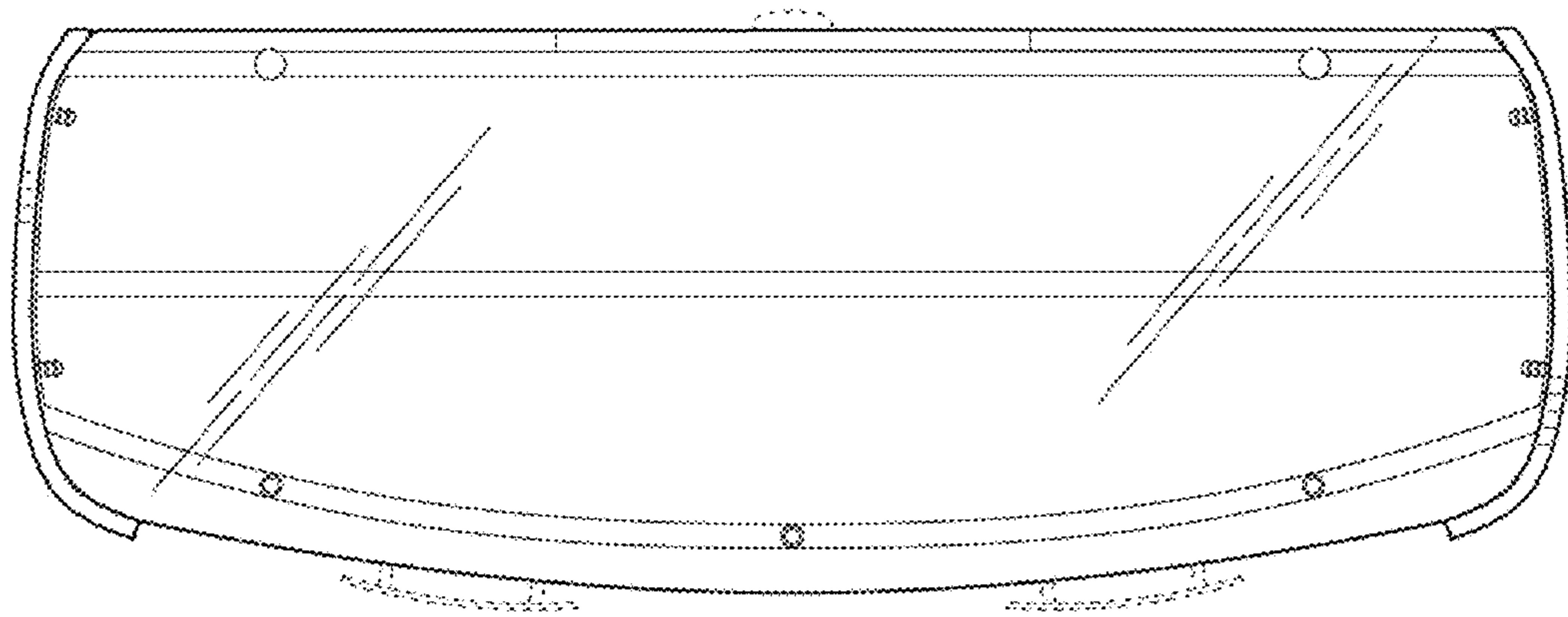


FIG. 4

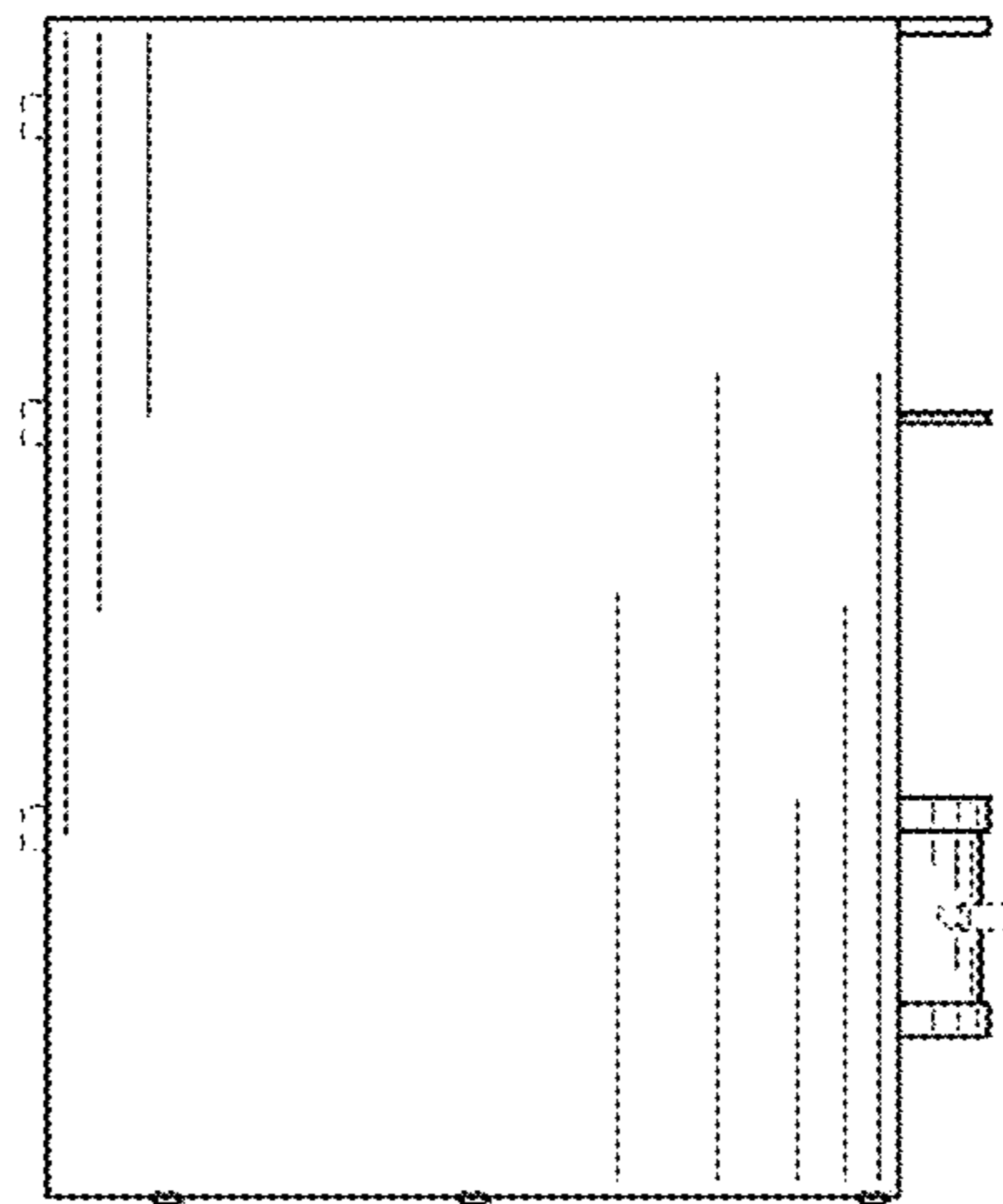


FIG. 5

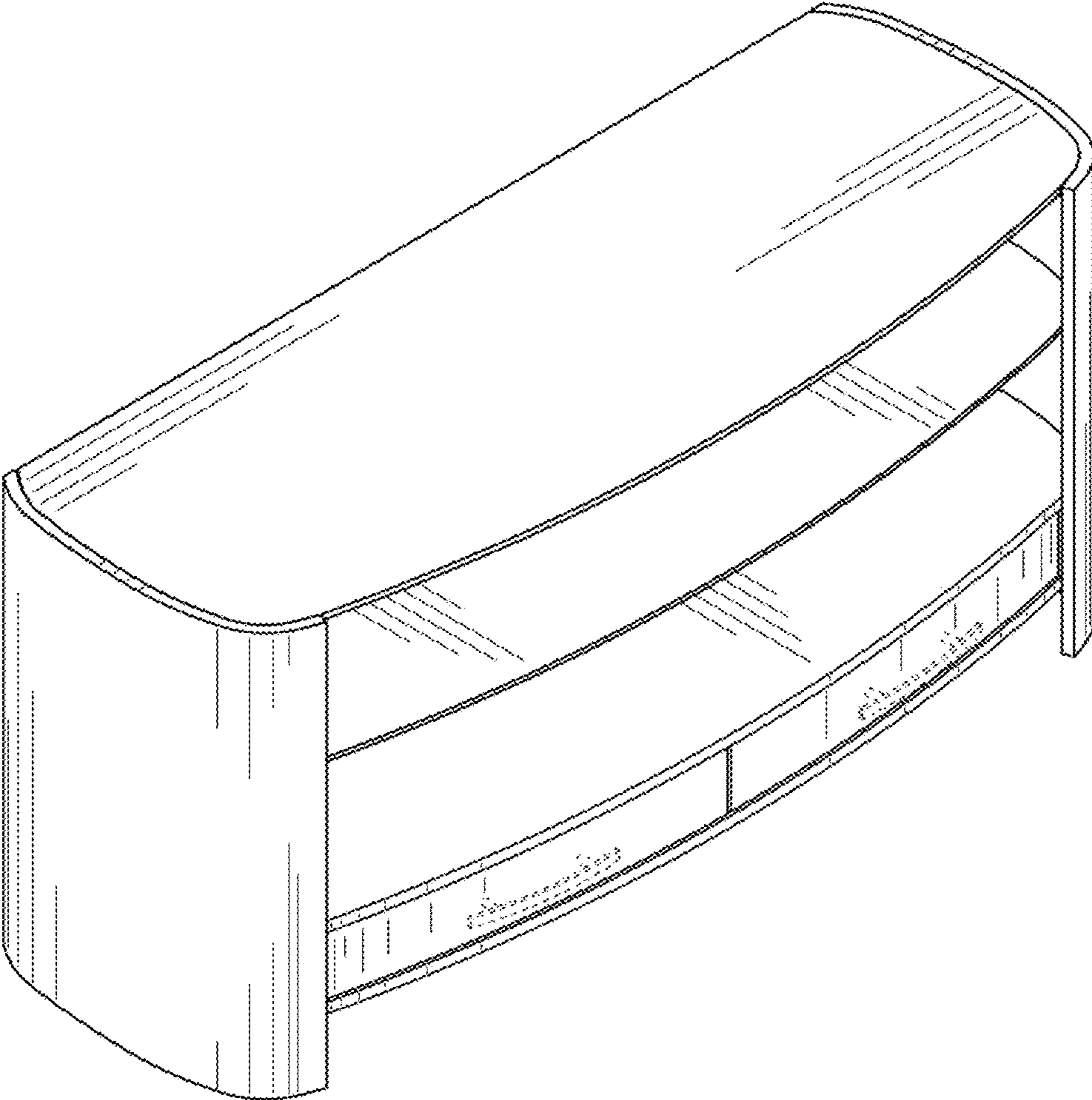


FIG. 6

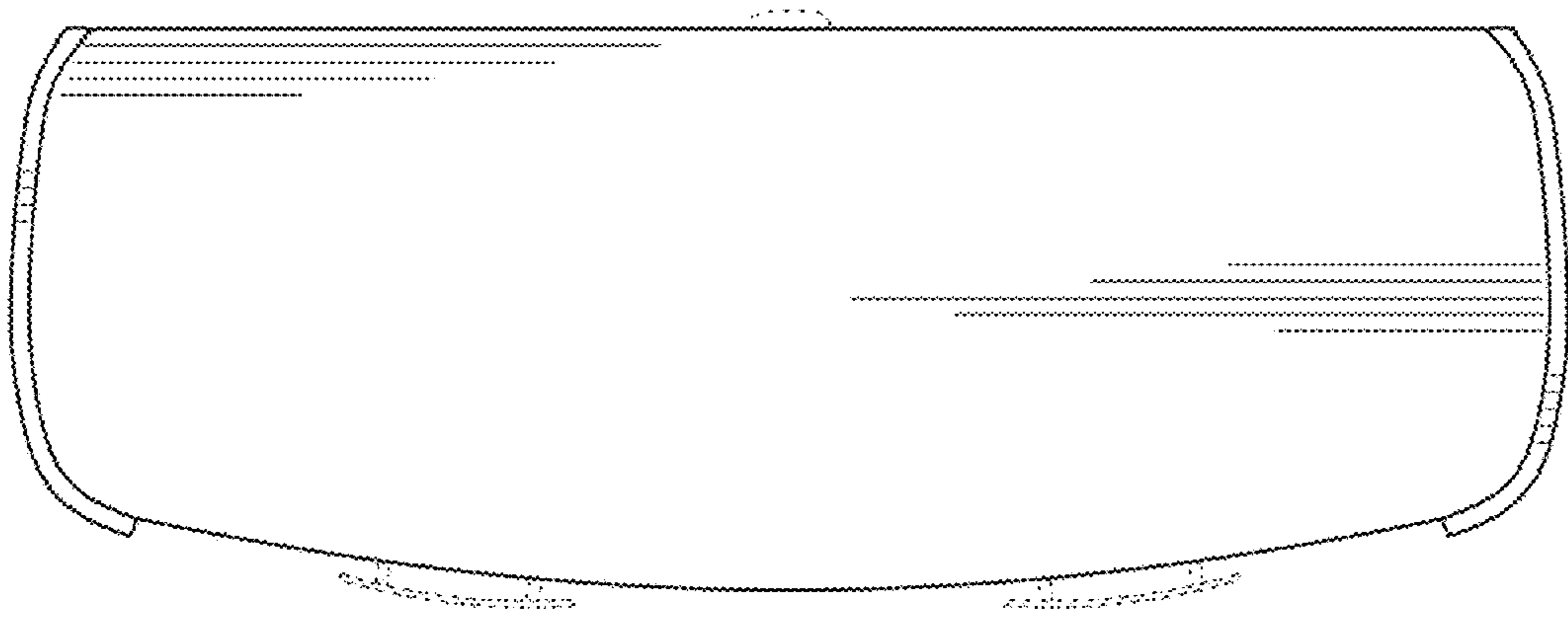


FIG. 7