



US00D704475S

(12) **United States Design Patent**
Cheng

(10) **Patent No.:** **US D704,475 S**

(45) **Date of Patent:** **** May 13, 2014**

(54) **PLEATED SHADE**

(71) Applicant: **Li-Ming Cheng**, Kaohsiung (TW)

(72) Inventor: **Li-Ming Cheng**, Kaohsiung (TW)

(**) Term: **14 Years**

(21) Appl. No.: **29/465,580**

(22) Filed: **Aug. 29, 2013**

(51) **LOC (10) Cl.** **06-10**

(52) **U.S. Cl.**
USPC **D6/575**

(58) **Field of Classification Search**
USPC D6/575, 577, 579, 580; D8/349, 368,
D8/369, 376, 382; 160/84.01-84.08, 107,
160/108, 111, 113, 130, 133, 176.1 P, 237,
160/330, DIG. 6, 902; 248/252, 266, 271
See application file for complete search history.

(56) **References Cited**

U.S. PATENT DOCUMENTS

2,254,820	A *	9/1941	Donner	160/84.04
2,320,852	A *	6/1943	De Falco	160/84.04
4,628,979	A *	12/1986	Hsu	160/115
5,176,192	A *	1/1993	Judkins et al.	160/84.04
RE34,273	E *	6/1993	Phillips et al.	160/84.01
5,680,891	A *	10/1997	Prince	160/84.05
5,918,655	A *	7/1999	Corey	160/84.05
6,006,812	A *	12/1999	Corey	160/84.05
D493,650	S *	8/2004	Tuzmen	D6/575
D501,749	S *	2/2005	Gruner	D6/575

D510,833	S *	10/2005	Yu et al.	D6/575
D605,885	S *	12/2009	Judkins	D6/575
8,353,325	B2 *	1/2013	Chen et al.	160/84.03
2005/0056379	A1 *	3/2005	Hsu	160/84.04
2009/0025888	A1 *	1/2009	Brace et al.	160/84.05
2011/0114269	A1 *	5/2011	Cheng	160/84.01

* cited by examiner

Primary Examiner — Karen S Acker

(74) *Attorney, Agent, or Firm* — Muncy, Geissler, Olds & Lowe, P.C.

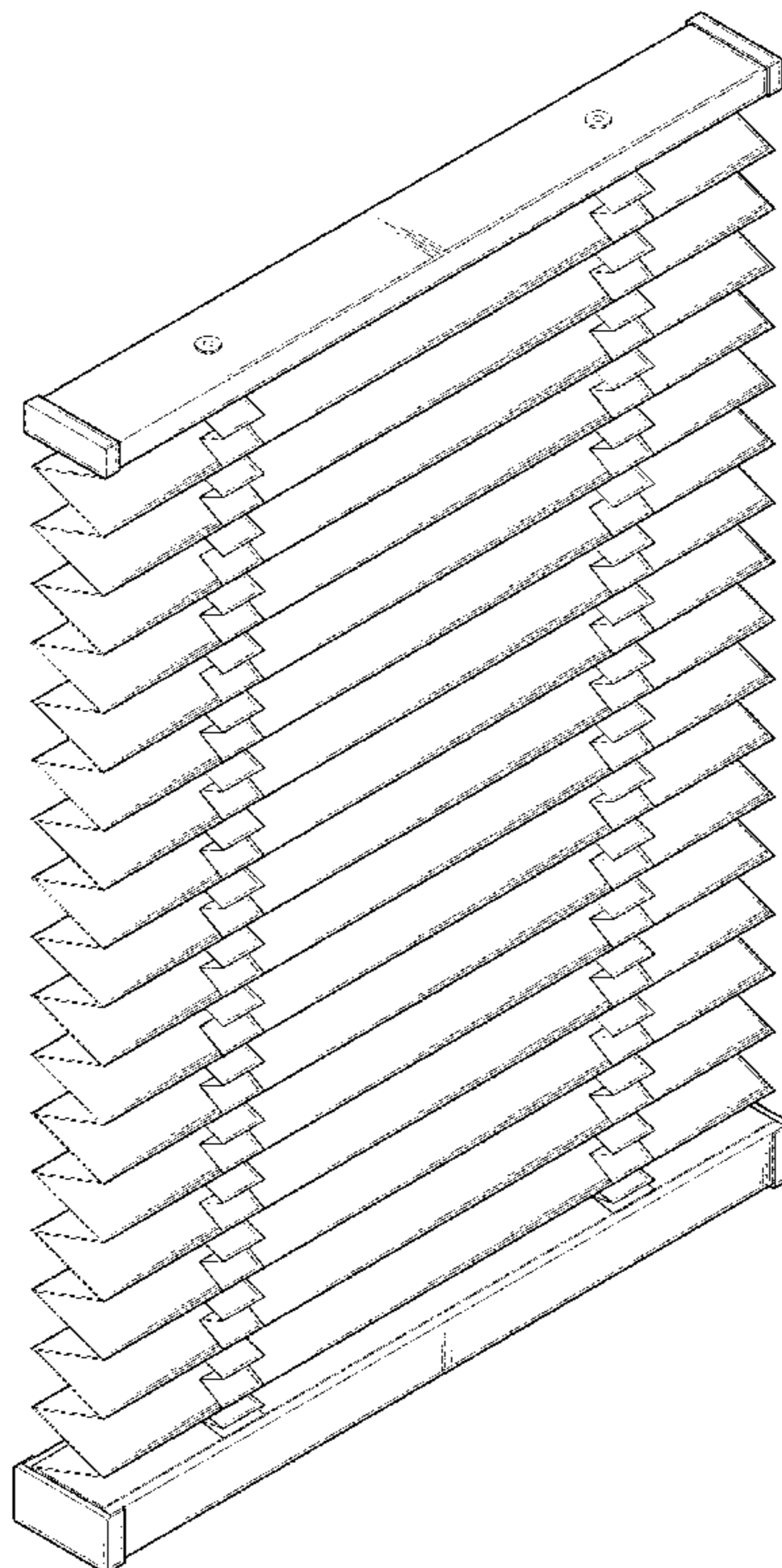
(57) **CLAIM**

I claim the ornamental design for a pleated shade, as shown and described.

DESCRIPTION

FIG. 1 is a perspective view of a pleated shade showing my new design thereof;
 FIG. 2 shows that a front elevation view thereof;
 FIG. 3 is a rear elevation view thereof;
 FIG. 4 is a left side elevation view thereof;
 FIG. 5 is a right side view thereof;
 FIG. 6 is a top plan view thereof;
 FIG. 7 is a bottom plan view hereof;
 FIG. 8 is a front elevation view thereof showing the pleated shade partially gathered;
 FIG. 9 is a left side elevation view thereof showing the pleated shade partially gathered;
 FIG. 10 is an enlarged view of area 10 in FIG. 9; and,
 FIG. 11 is a perspective view of the pleated shade of FIG. 1 fully gathered.
 The broken lines in the drawings form no part of the claimed design.

1 Claim, 8 Drawing Sheets



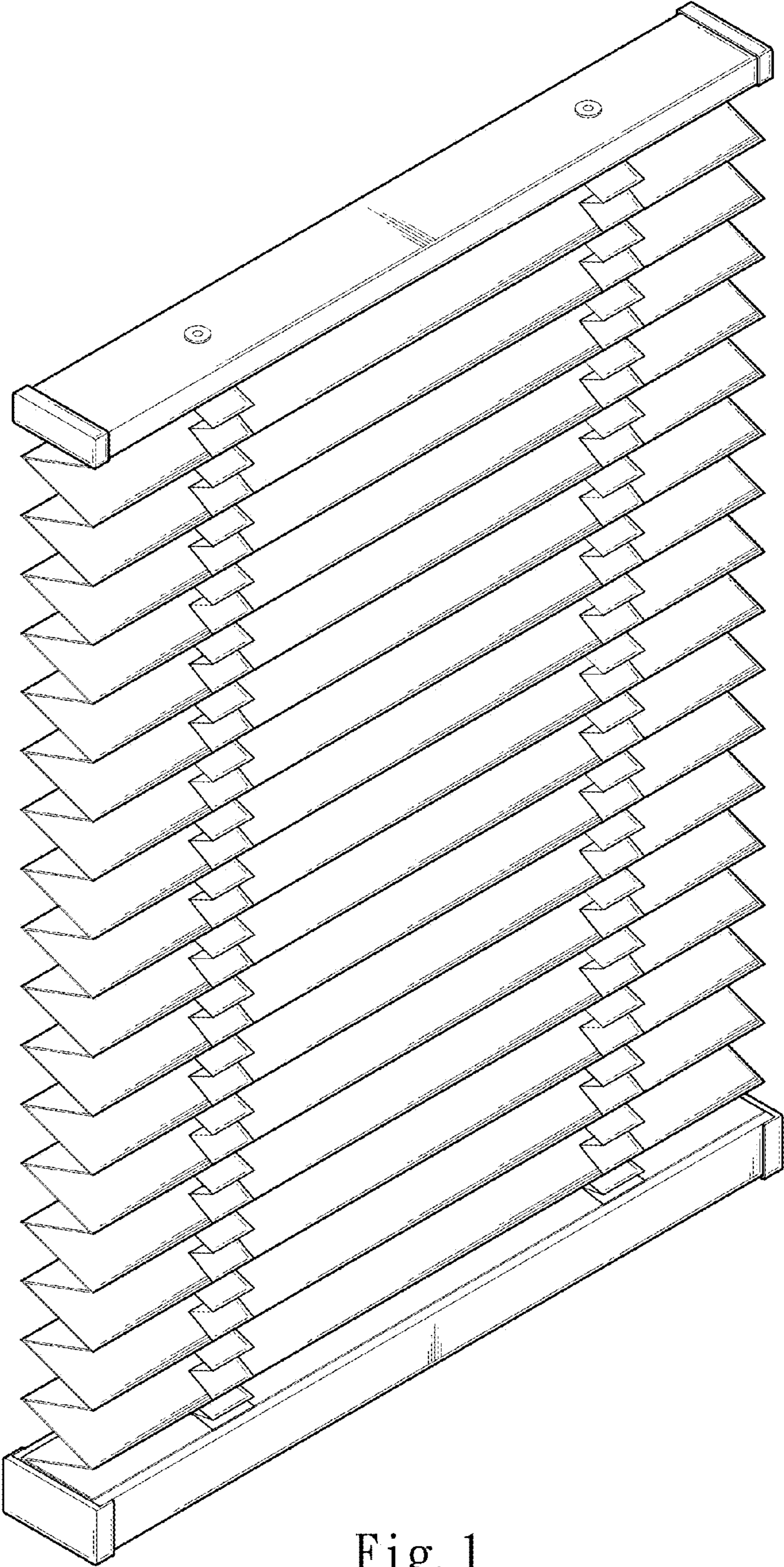


Fig. 1

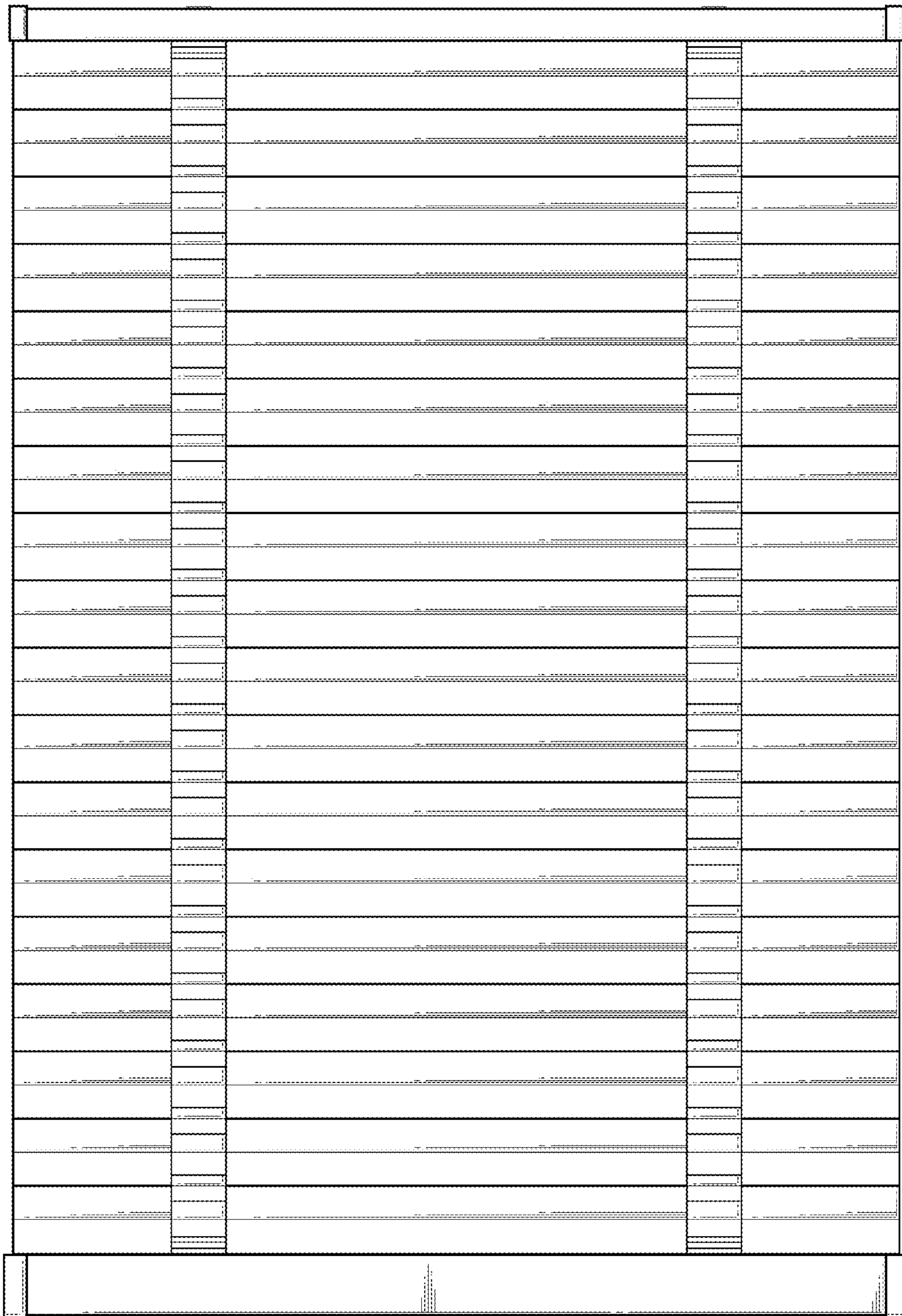


Fig. 2

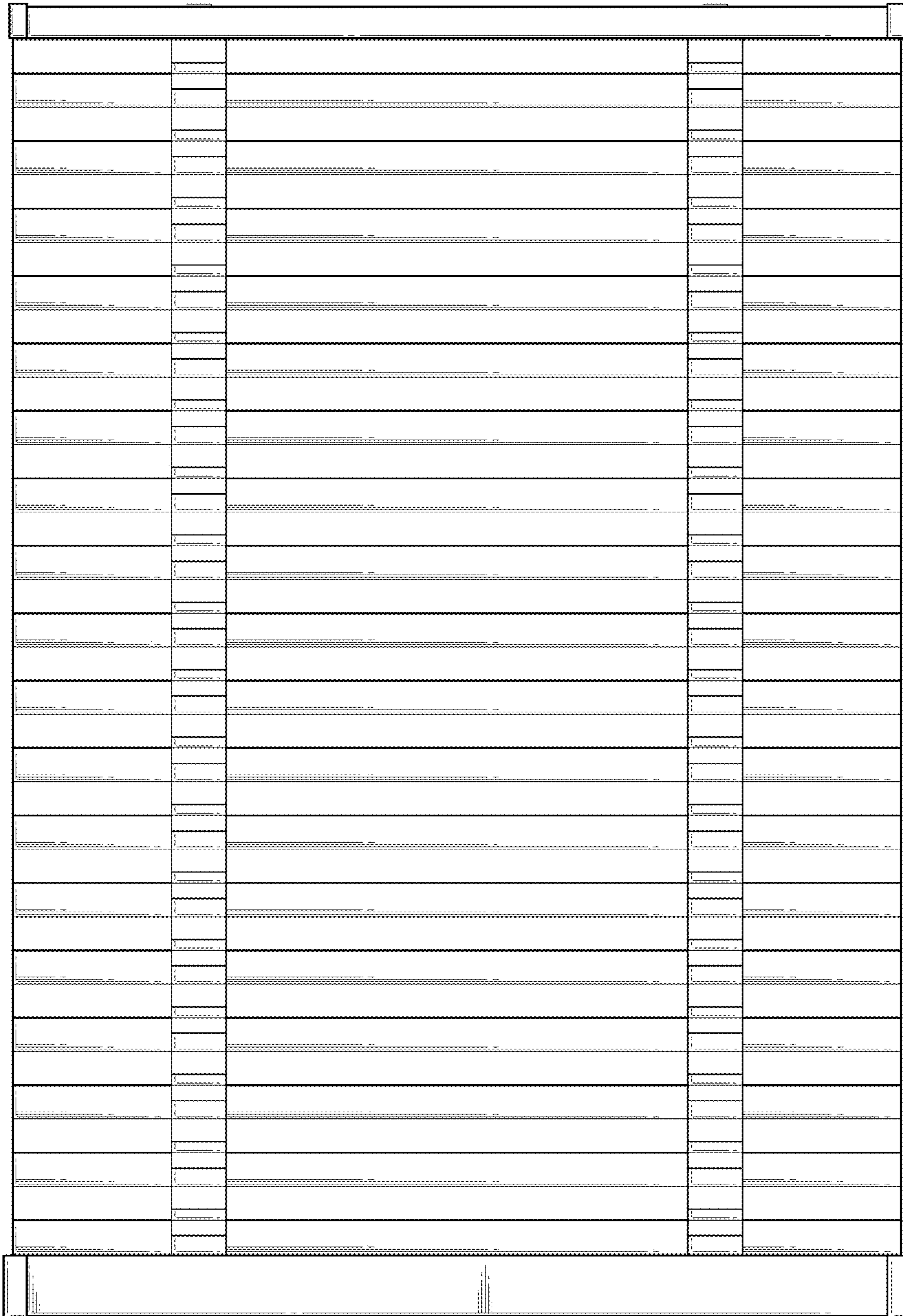


Fig. 3

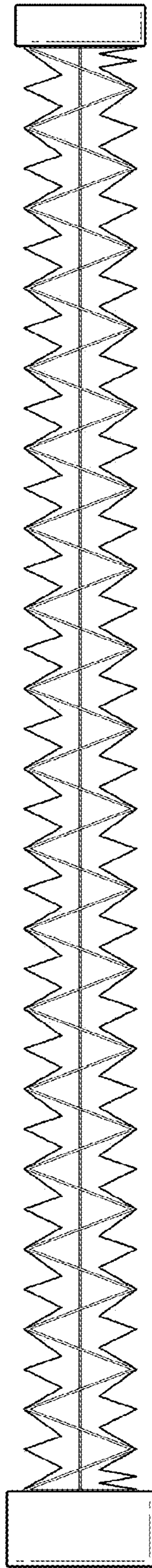


Fig. 4

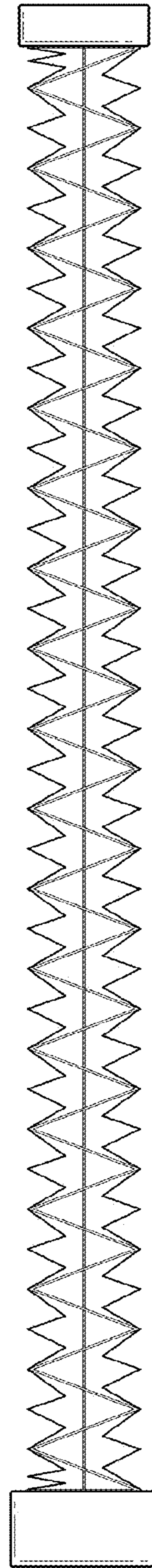


Fig. 5

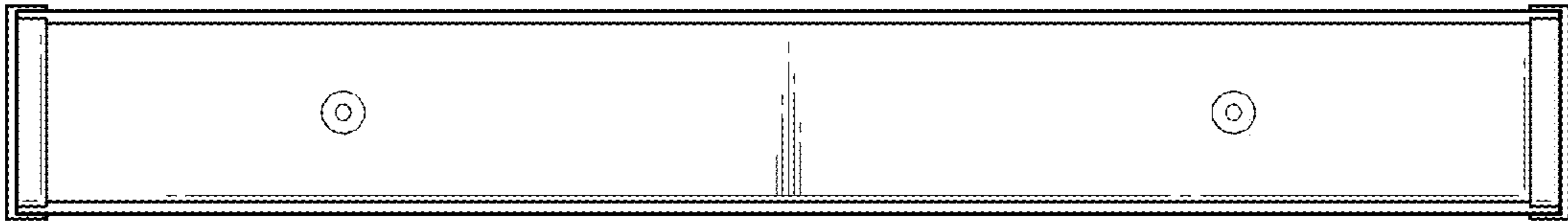


Fig. 6

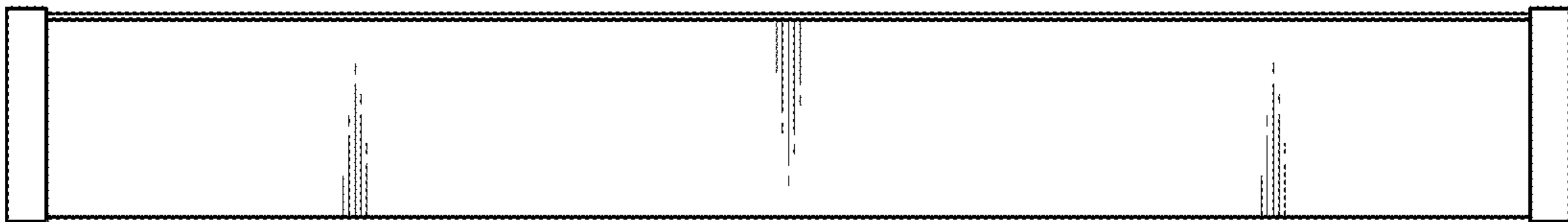


Fig. 7

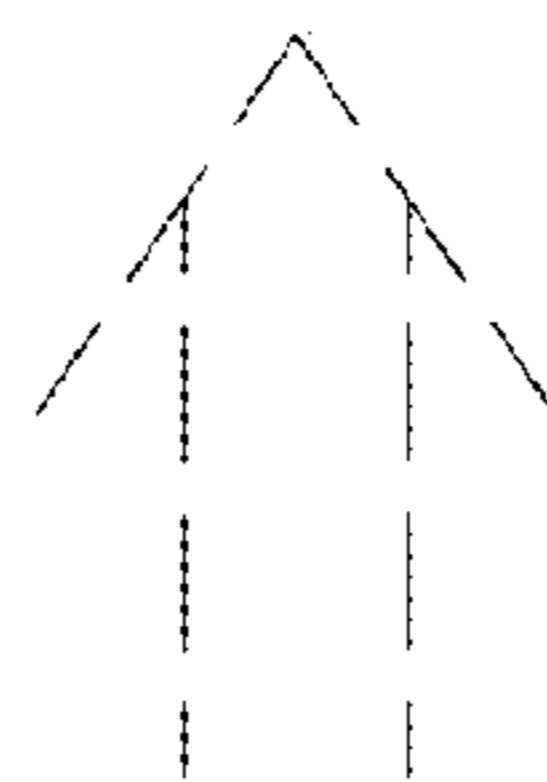
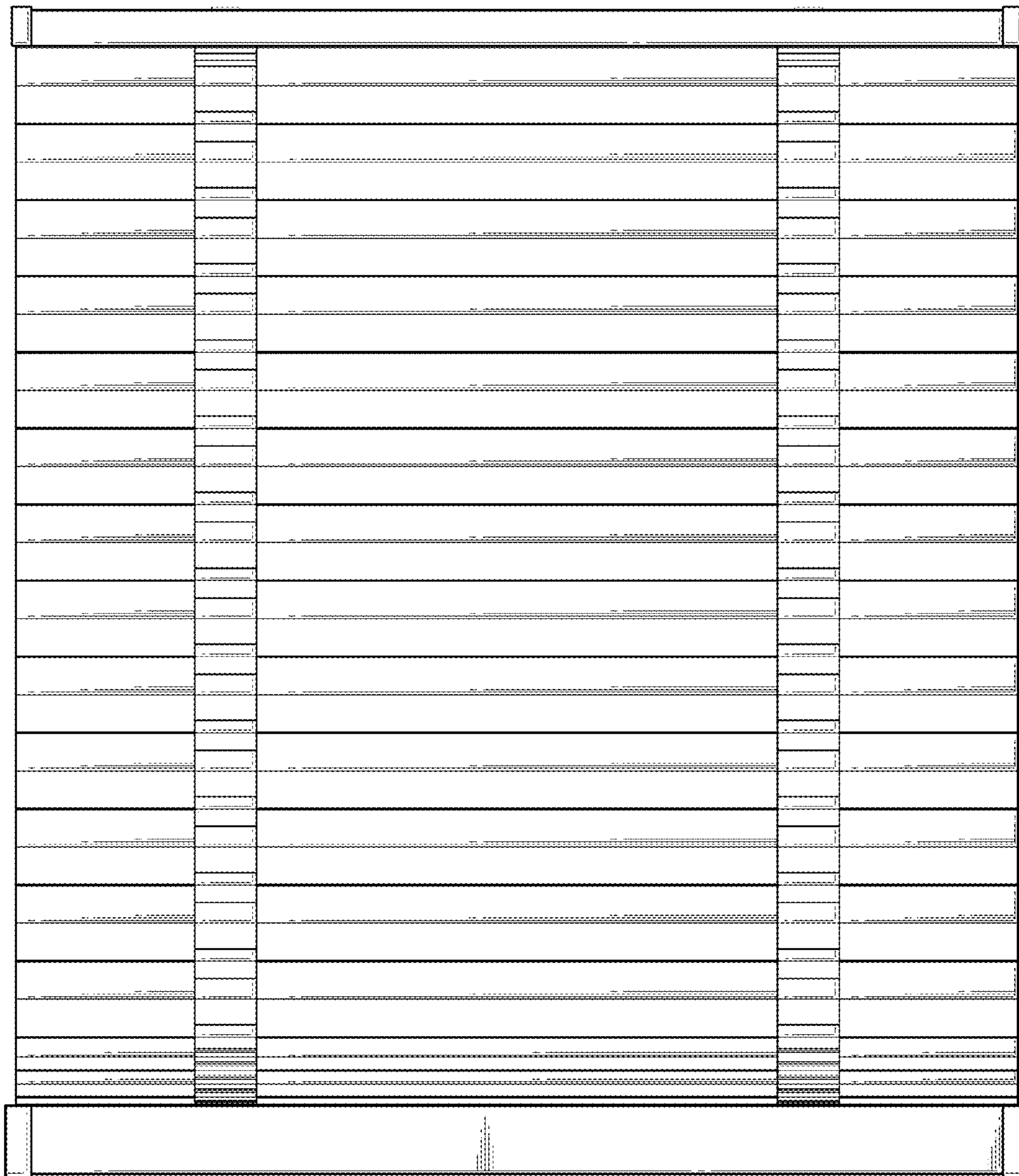


Fig. 8

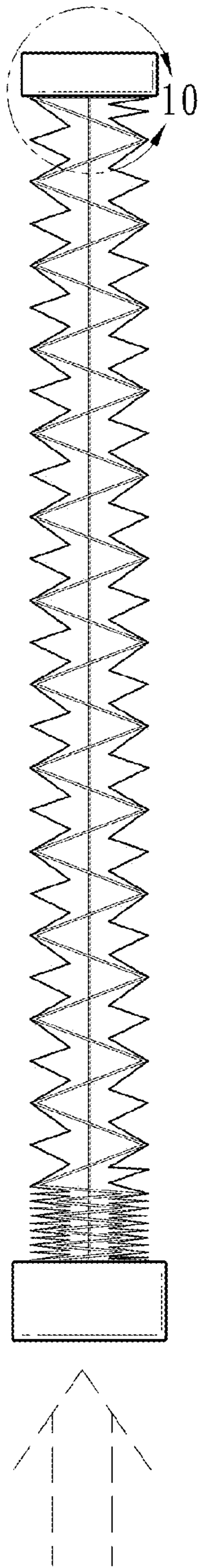


Fig. 9

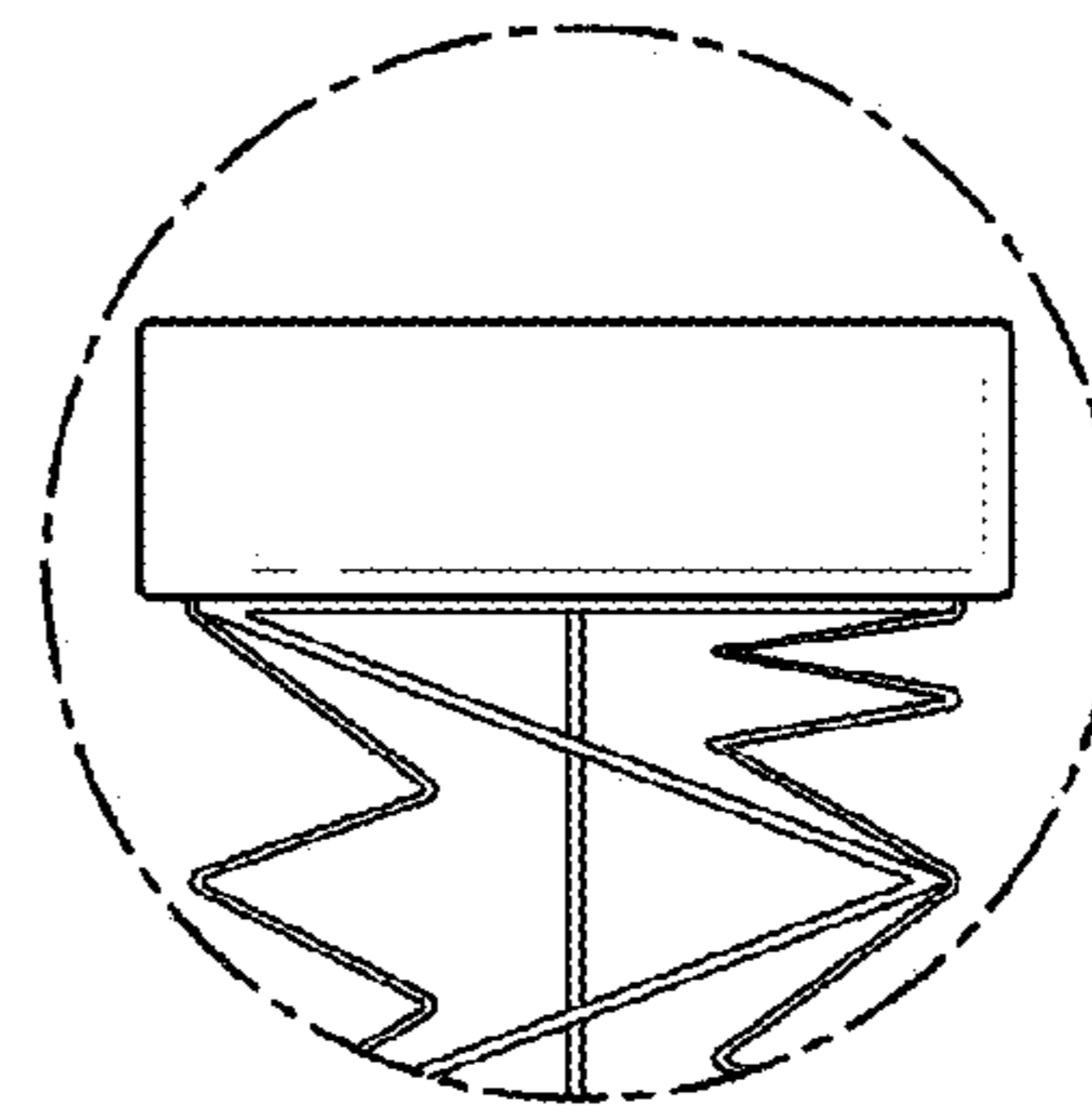


Fig. 10

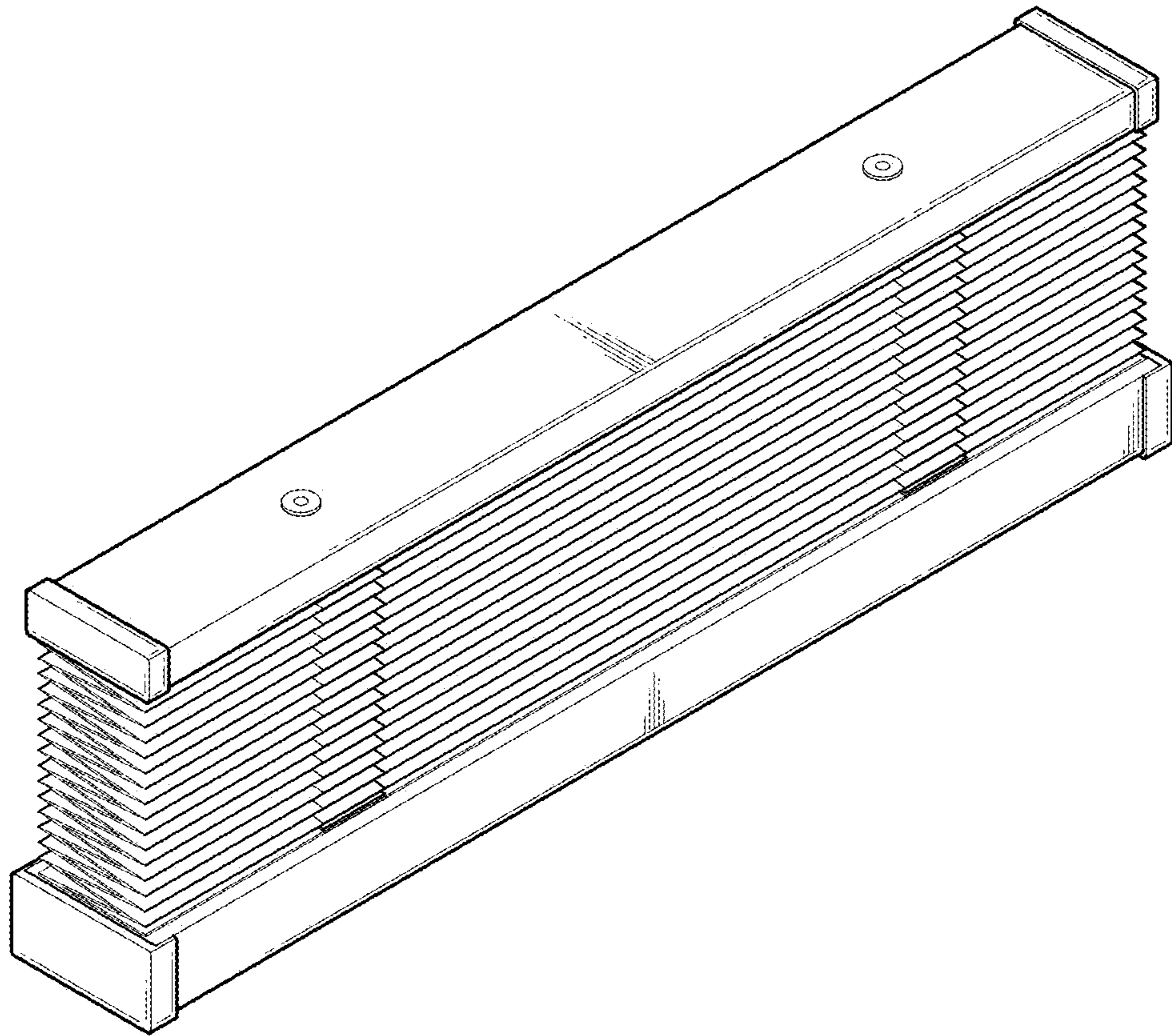


Fig. 11