



US00D704474S

(12) **United States Design Patent**
Klein et al.

(10) **Patent No.:** **US D704,474 S**

(45) **Date of Patent:** **** May 13, 2014**

(54) **PORTABLE STORAGE AND DISPLAY RACK FOR FIREARMS**

(71) Applicant: **RJK Ventures LLC**, Aliso Viejo, CA (US)

(72) Inventors: **Roger Julius Klein**, Rancho Santa Margarita, CA (US); **Ryan Jeffrey Klein**, Aliso Viejo, CA (US)

(73) Assignee: **RJK Ventures LLC**, Aliso Viejo, CA (US)

(**) Term: **14 Years**

(21) Appl. No.: **29/473,038**

(22) Filed: **Nov. 18, 2013**

Related U.S. Application Data

(63) Continuation-in-part of application No. 13/443,626, filed on Apr. 10, 2012.

(51) **LOC (10) Cl.** **08-08**

(52) **U.S. Cl.**
USPC **D6/552**

(58) **Field of Classification Search**
USPC D6/552; D21/573; 248/96; 211/13.1, 211/64; 224/483, 539, 566, 568, 571; 280/13, 652

See application file for complete search history.

(56) **References Cited**

U.S. PATENT DOCUMENTS

D381,852 S *	8/1997	Cardenas	D6/552
D461,085 S *	8/2002	Chen	D6/552
D477,741 S *	7/2003	Wang	D6/552
D587,051 S *	2/2009	Vining	D6/552
D609,516 S *	2/2010	Vining	D6/552
D622,992 S *	9/2010	Dodd	D6/552
D643,658 S *	8/2011	Vining	D6/552
D661,150 S *	6/2012	Cardenas	D6/552

* cited by examiner

Primary Examiner — Brian N Vinson

(74) *Attorney, Agent, or Firm* — Klein, O Neill & Singh, LLP

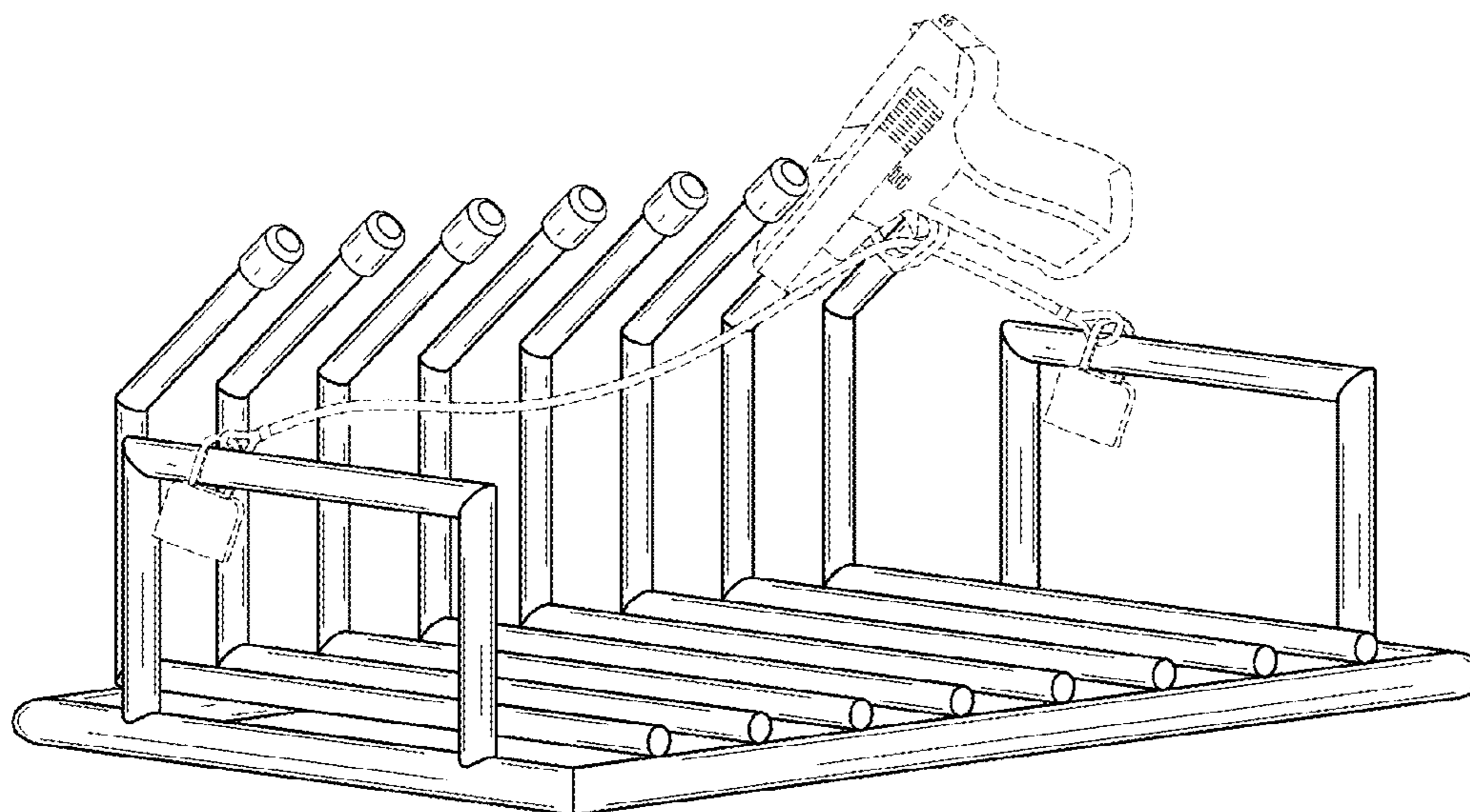
(57) **CLAIM**

The ornamental design for a portable storage and display rack for firearms, as shown and described.

DESCRIPTION

FIG. 1 is a top, front, and right-side perspective view of a portable storage and display rack for firearms showing our new design; FIG. 2 is a bottom rear and left-side perspective thereof; FIG. 3 is a top plan view thereof; FIG. 4 is a bottom plan view thereof; FIG. 5 is a front elevational view thereof; FIG. 6 is a rear elevational view thereof; FIG. 7 is a left-side elevational view thereof, the right-side elevational view being a mirror image thereof; and, FIG. 8 is a top, front, and left-side perspective view thereof, with the broken-line disclosure of a firearm, cable, and padlock being for illustrative purposes only and forming no part of the claimed design.

1 Claim, 4 Drawing Sheets



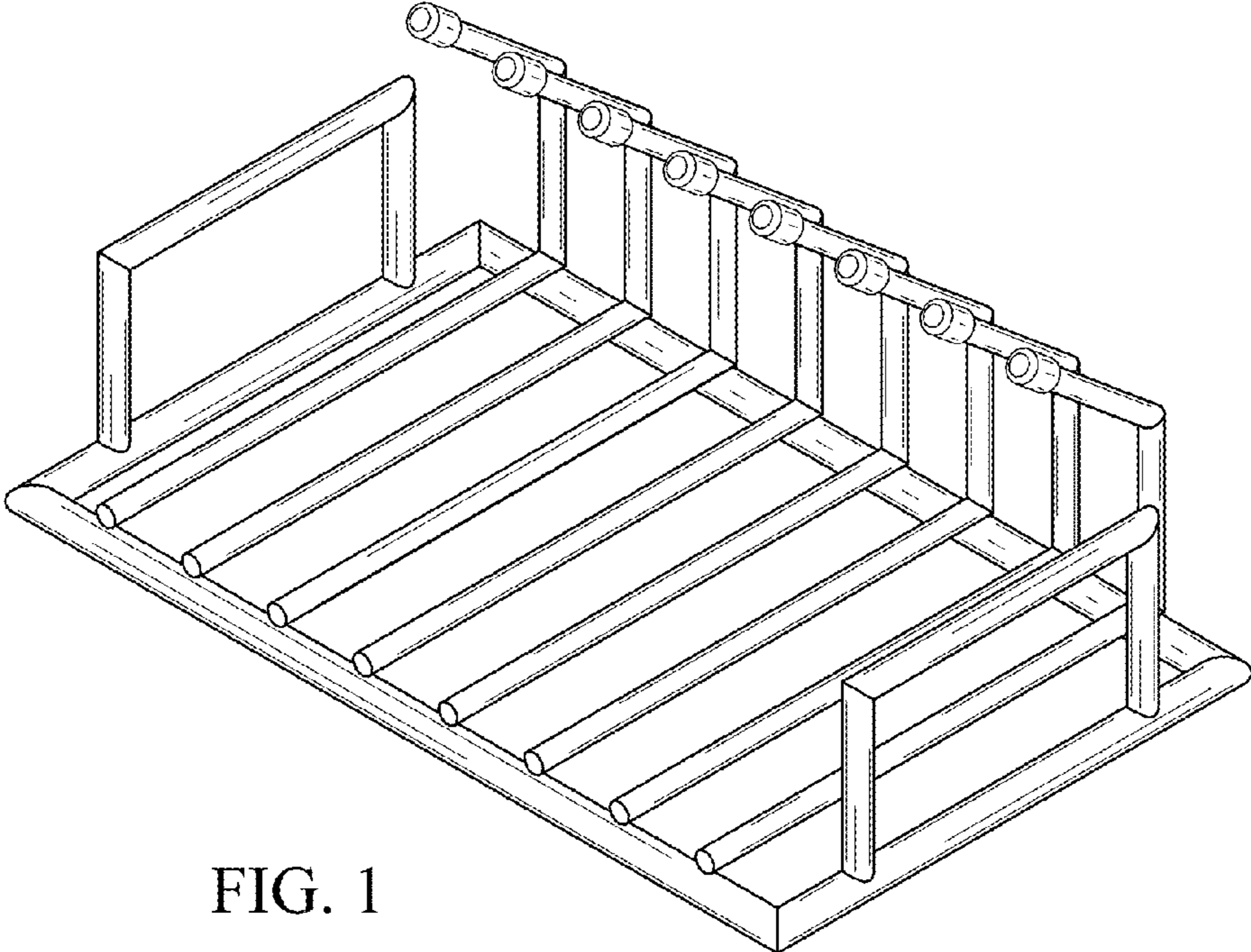


FIG. 1

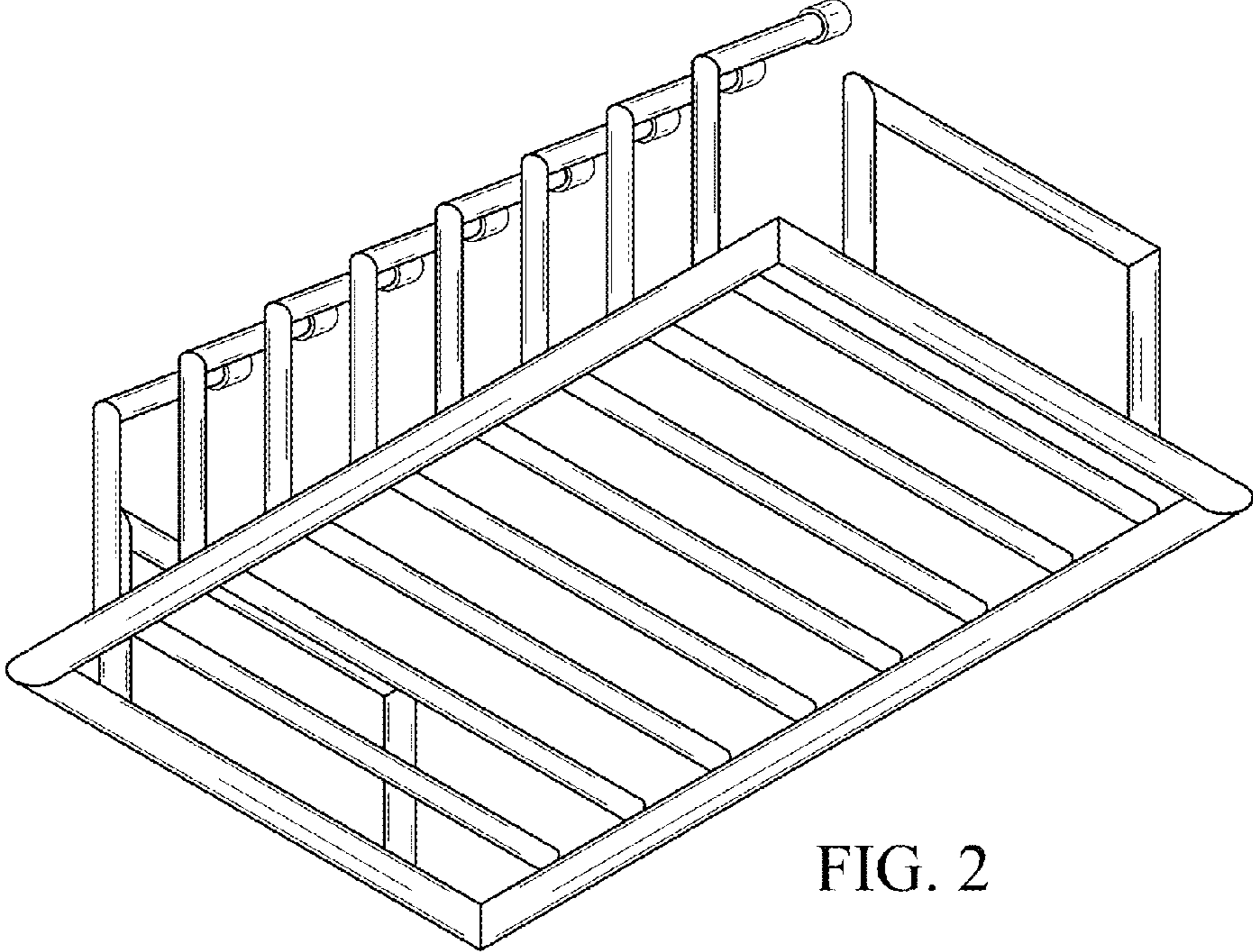


FIG. 2

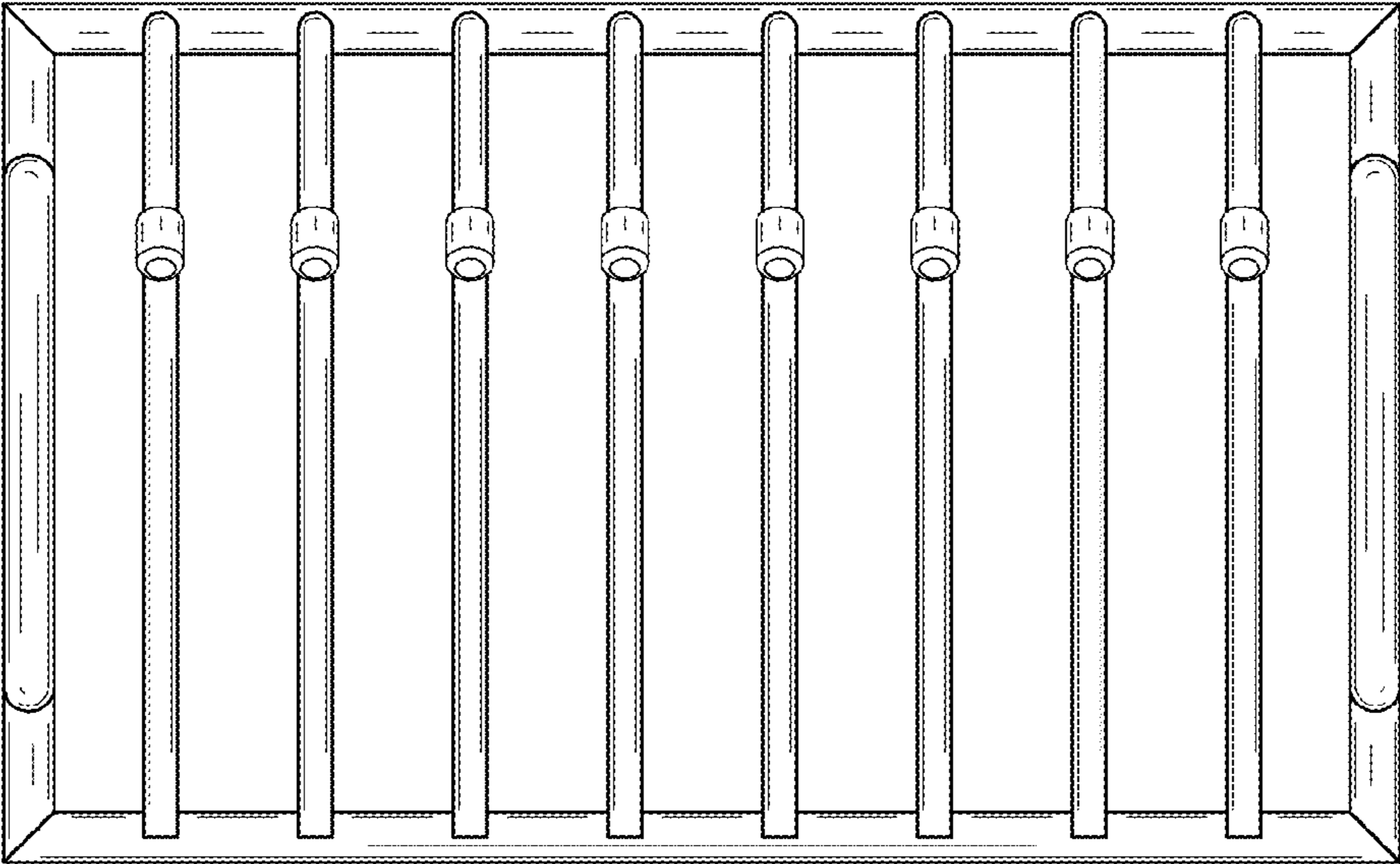


FIG. 3

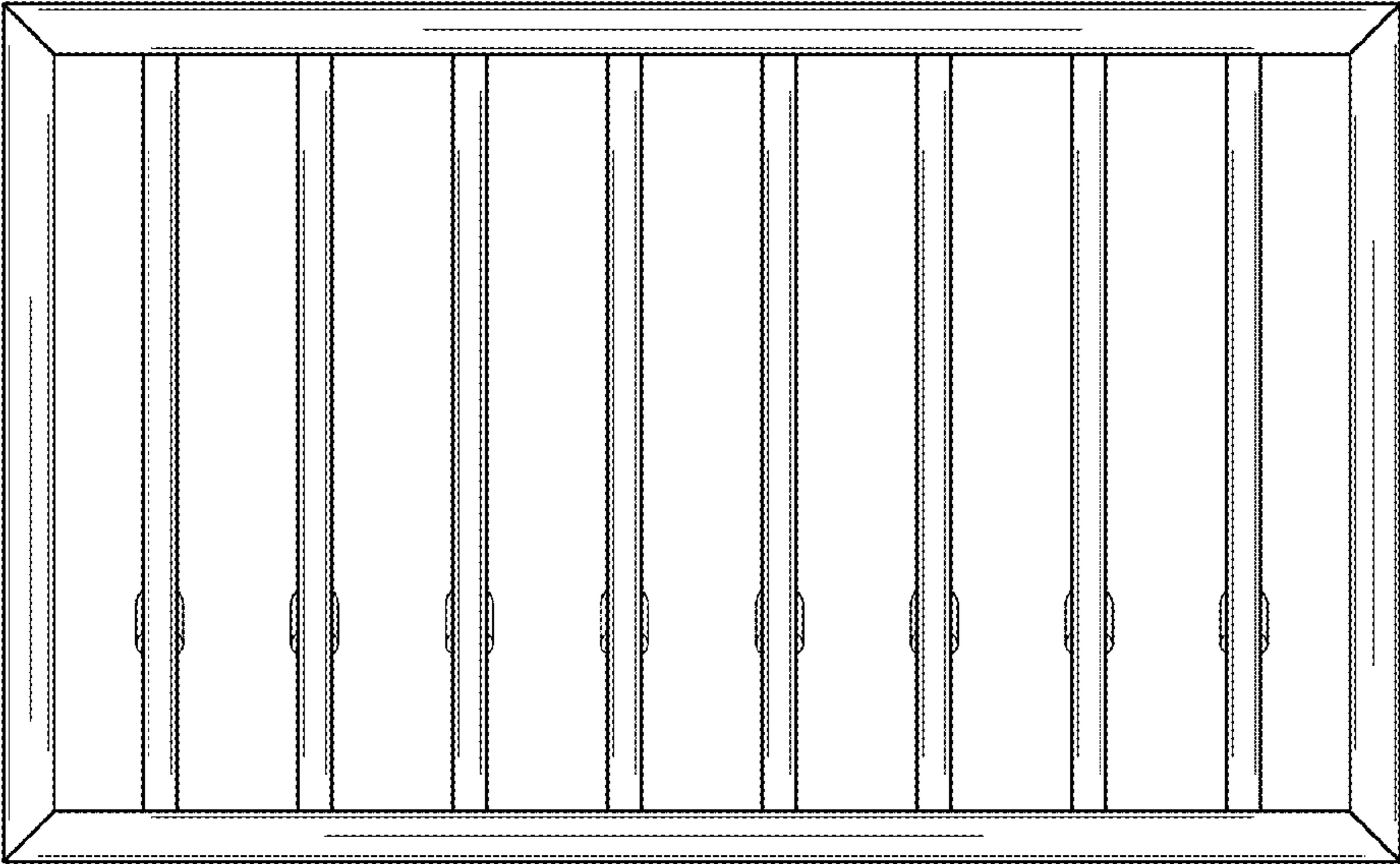


FIG. 4

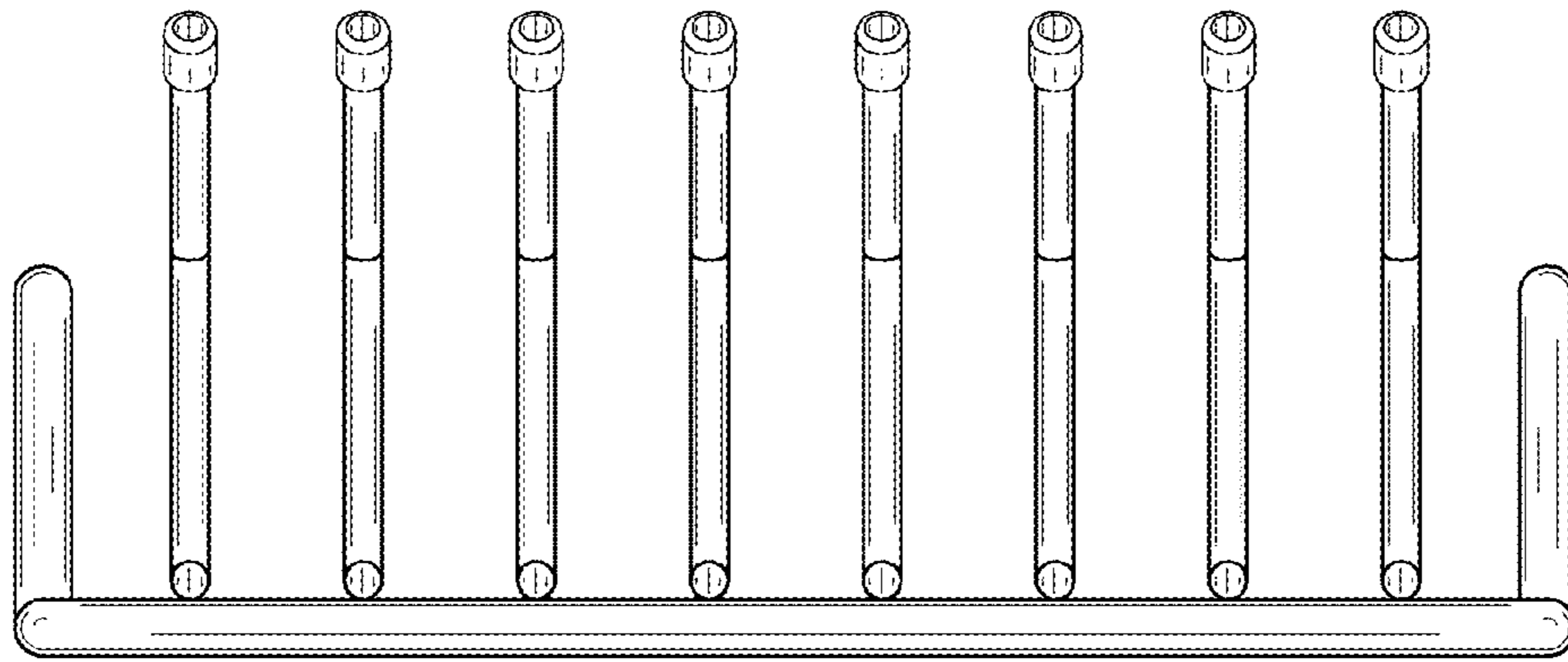


FIG. 5

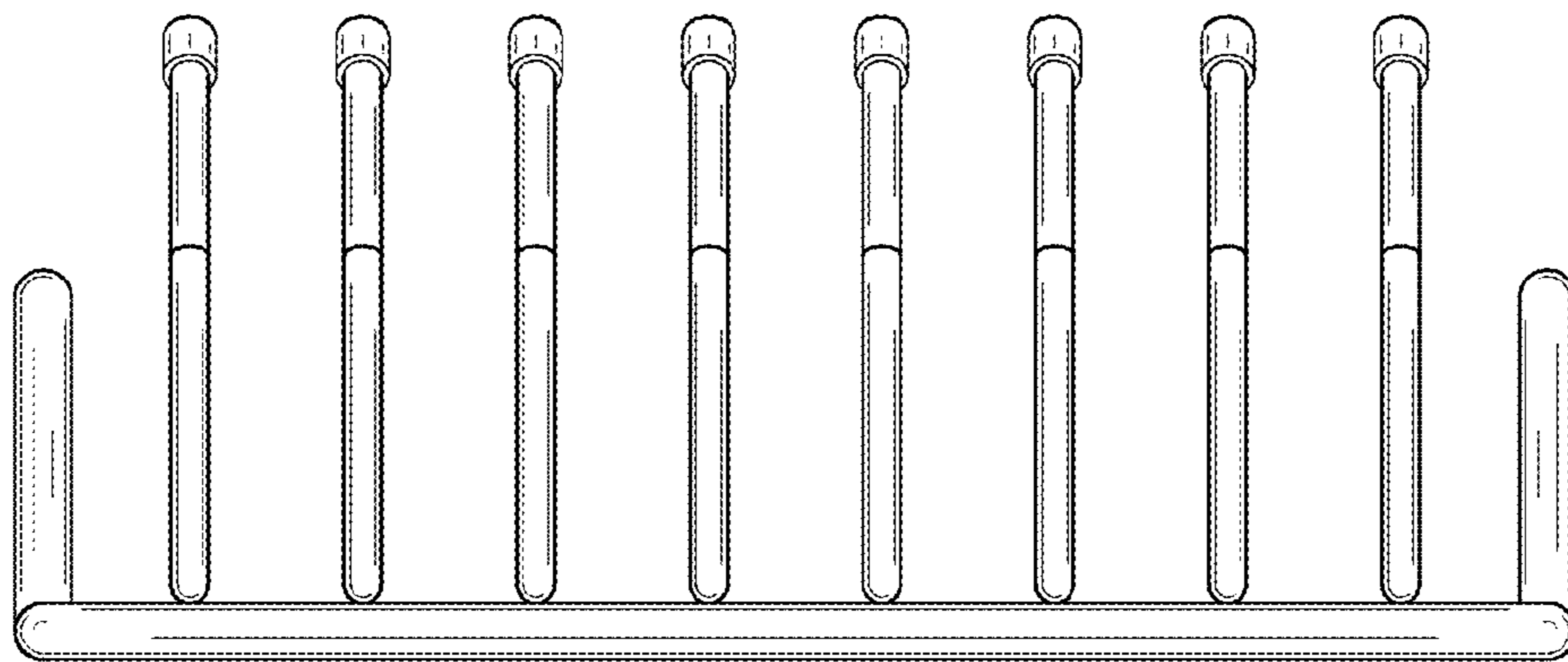


FIG. 6

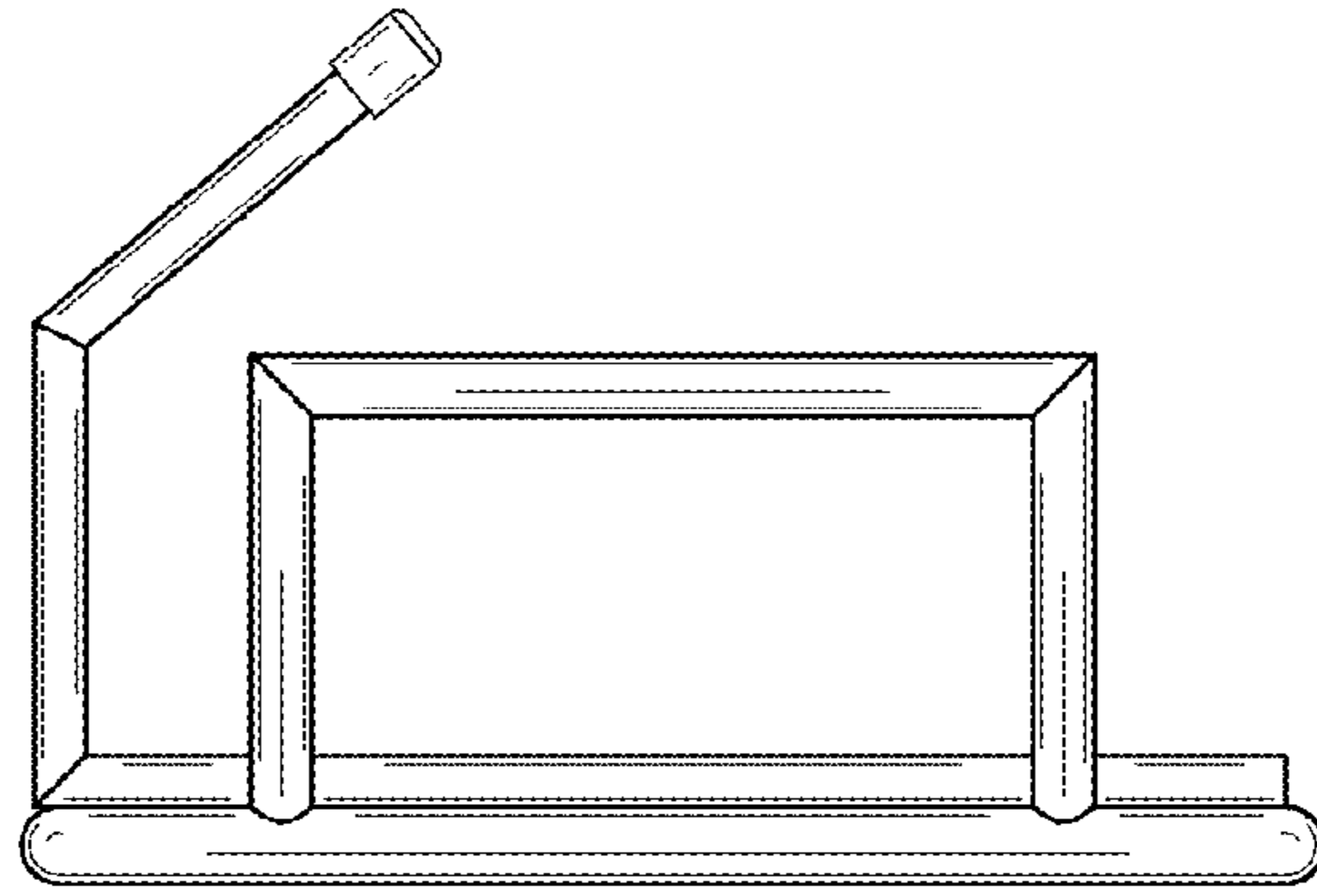


FIG. 7

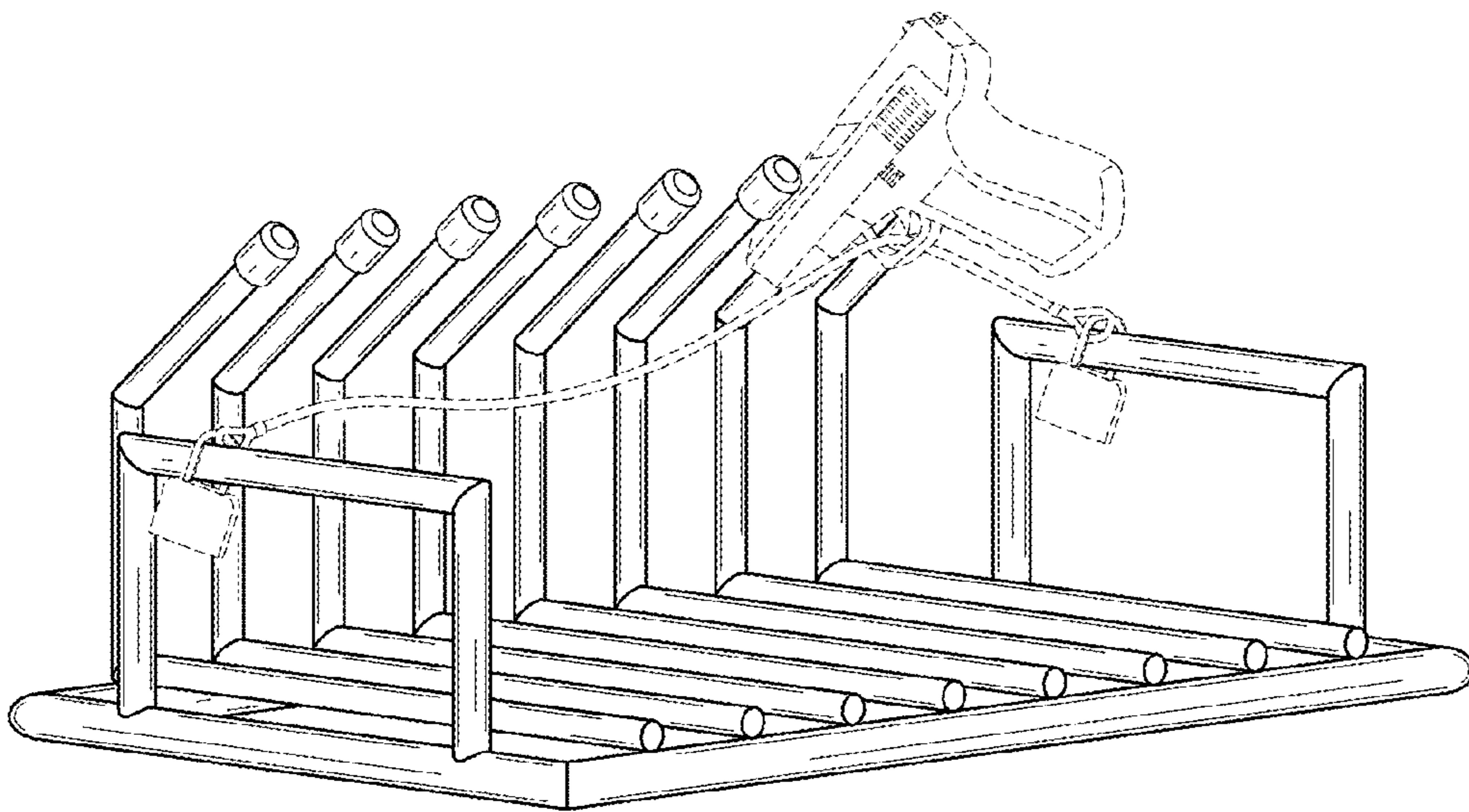


FIG. 8