



US00D704473S

(12) **United States Design Patent**  
**Hartshorn et al.**

(10) **Patent No.:** **US D704,473 S**

(45) **Date of Patent:** **\*\* May 13, 2014**

(54) **KITCHEN ROLL HOLDER**

(71) Applicant: **Joseph Joseph Ltd.**, London (GB)

(72) Inventors: **Richard Hartshorn**, London (GB);  
**Edward Goodwin**, London (GB)

(73) Assignee: **Joseph Joseph, Ltd.**, London (GB)

(\*\*) Term: **14 Years**

(21) Appl. No.: **29/448,964**

(22) Filed: **Mar. 14, 2013**

(30) **Foreign Application Priority Data**

Sep. 21, 2012 (EM) ..... 002107078-0005

(51) **LOC (10) Cl.** ..... **20-02**

(52) **U.S. Cl.**  
USPC ..... **D6/521**

(58) **Field of Classification Search**  
USPC ..... D6/518-523; 206/389, 391; 211/13.1,  
211/59.1, 45, 890.1; 242/570, 590, 597.7;  
248/309.1, 309.2

See application file for complete search history.

(56) **References Cited**

U.S. PATENT DOCUMENTS

D390,054 S \* 2/1998 Goodman ..... D6/522  
D452,398 S \* 12/2001 Hollinger ..... D6/522  
D520,278 S \* 5/2006 Mariano et al. .... D6/521  
D626,771 S \* 11/2010 Shek ..... D6/521

\* cited by examiner

*Primary Examiner* — Brian N Vinson

(74) *Attorney, Agent, or Firm* — Millen, White, Zelano & Branigan, P.C.

(57) **CLAIM**

The ornamental design for a kitchen roll holder, as shown and described.

**DESCRIPTION**

FIG. 1 is a side view of the kitchen roll holder showing my new design.

FIG. 2 is another side view thereof.

FIG. 3 is a back view thereof.

FIG. 4 is front view thereof.

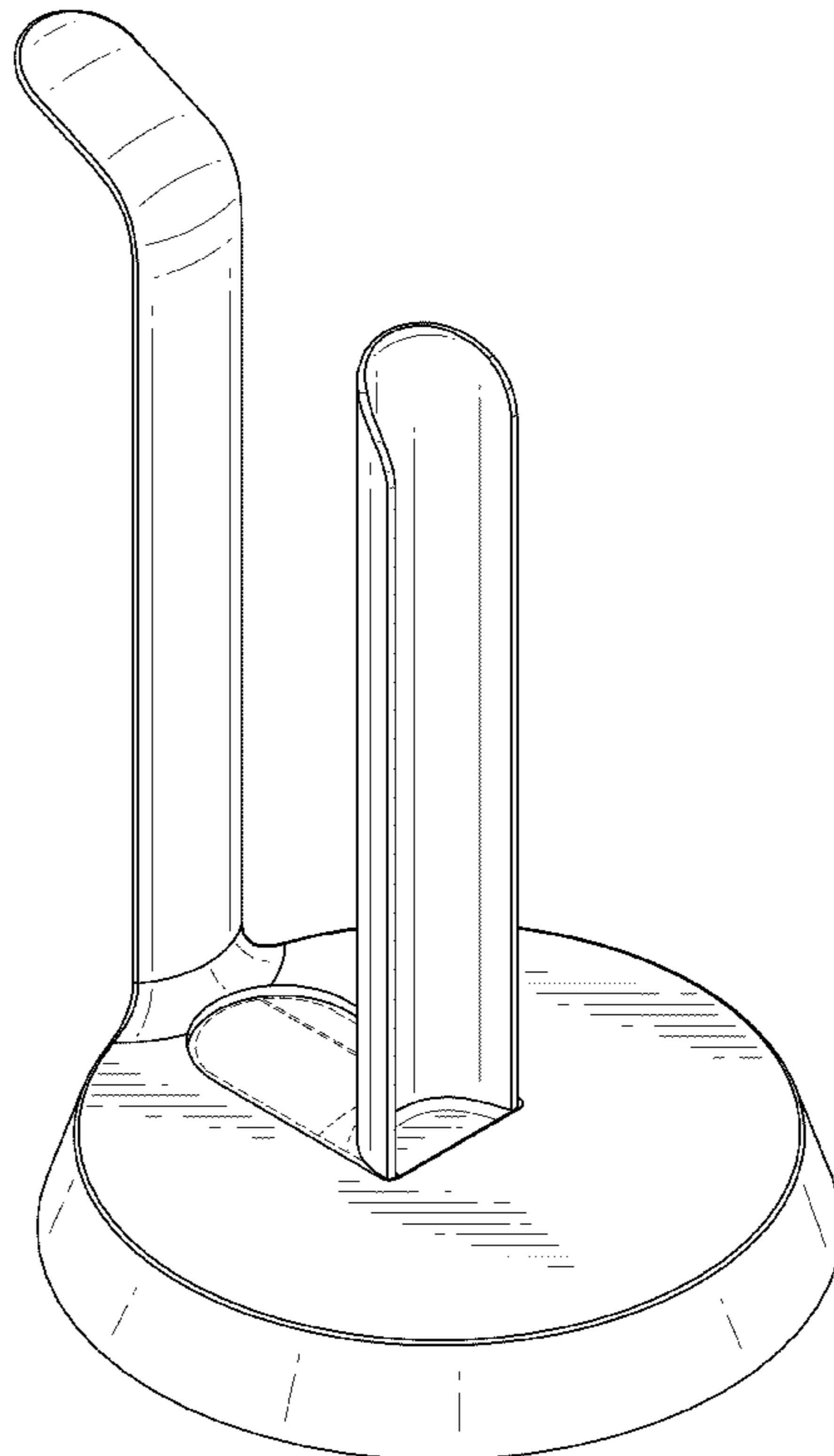
FIG. 5 is top view thereof.

FIG. 6 is bottom view thereof; and,

FIG. 7 is a perspective view thereof.

The broken lines shown in the drawing views of FIG. 5 and FIG. 7 represent portions of the kitchen roll holder that form no part of the claimed design.

**1 Claim, 7 Drawing Sheets**



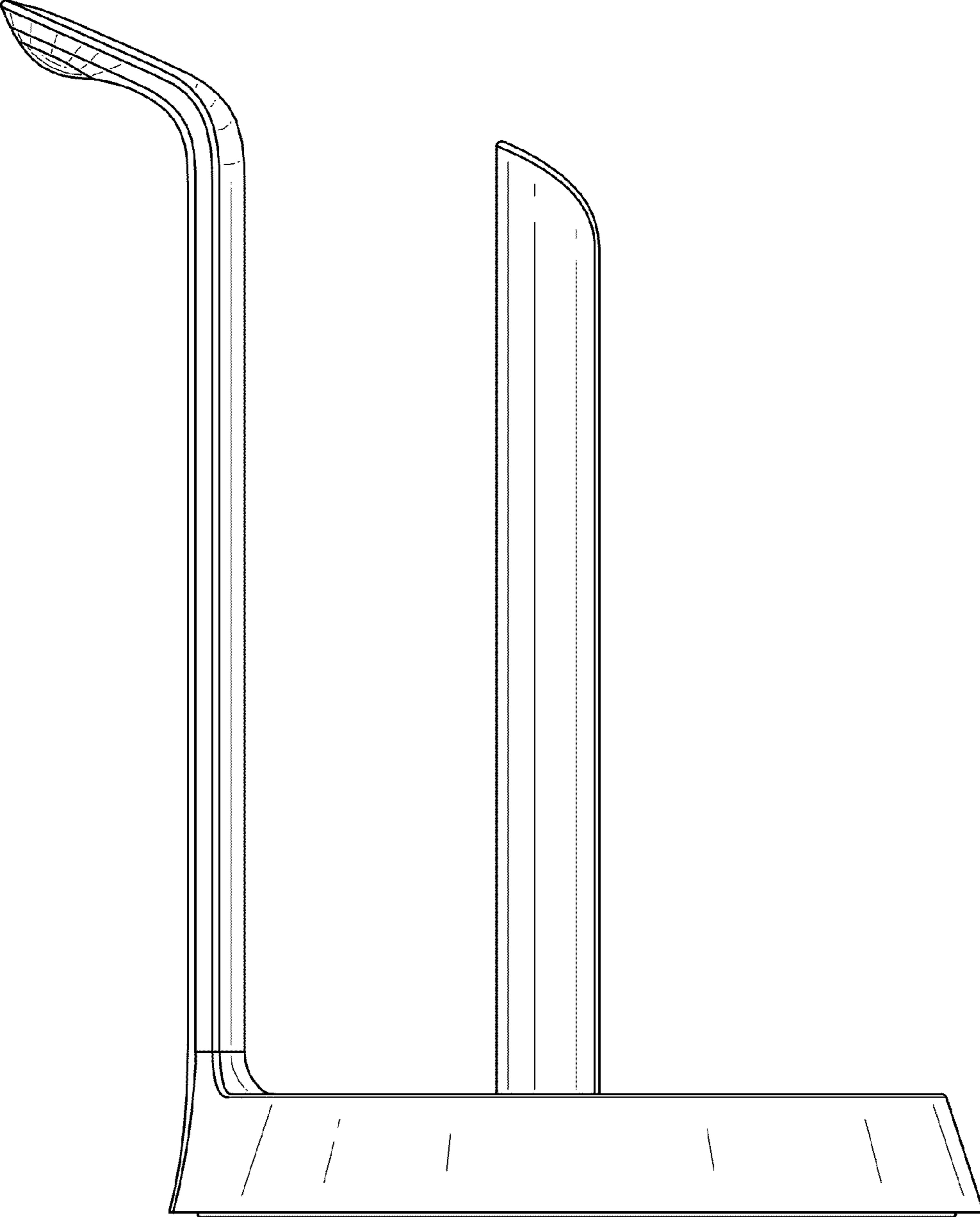


FIG. 1

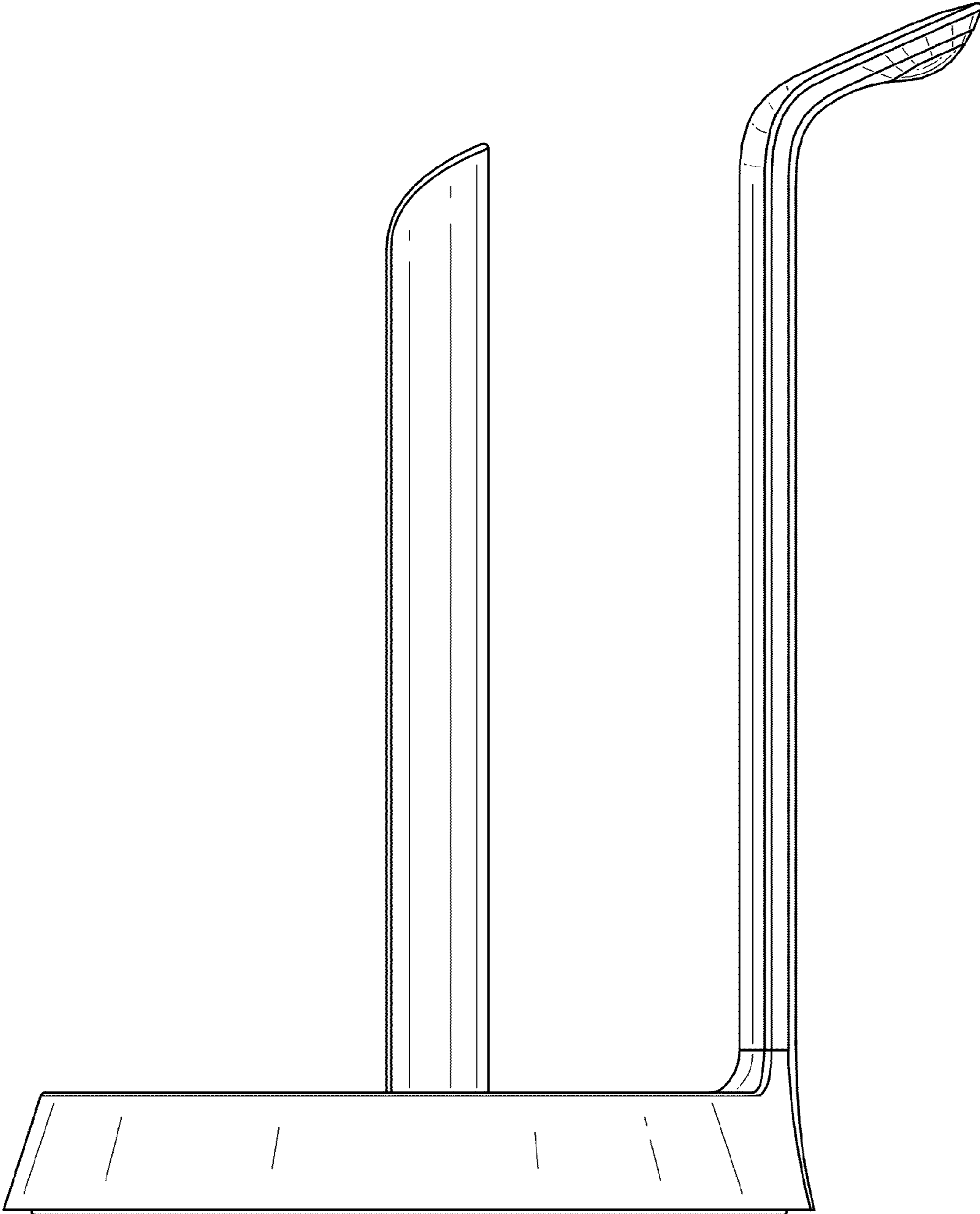


FIG.2

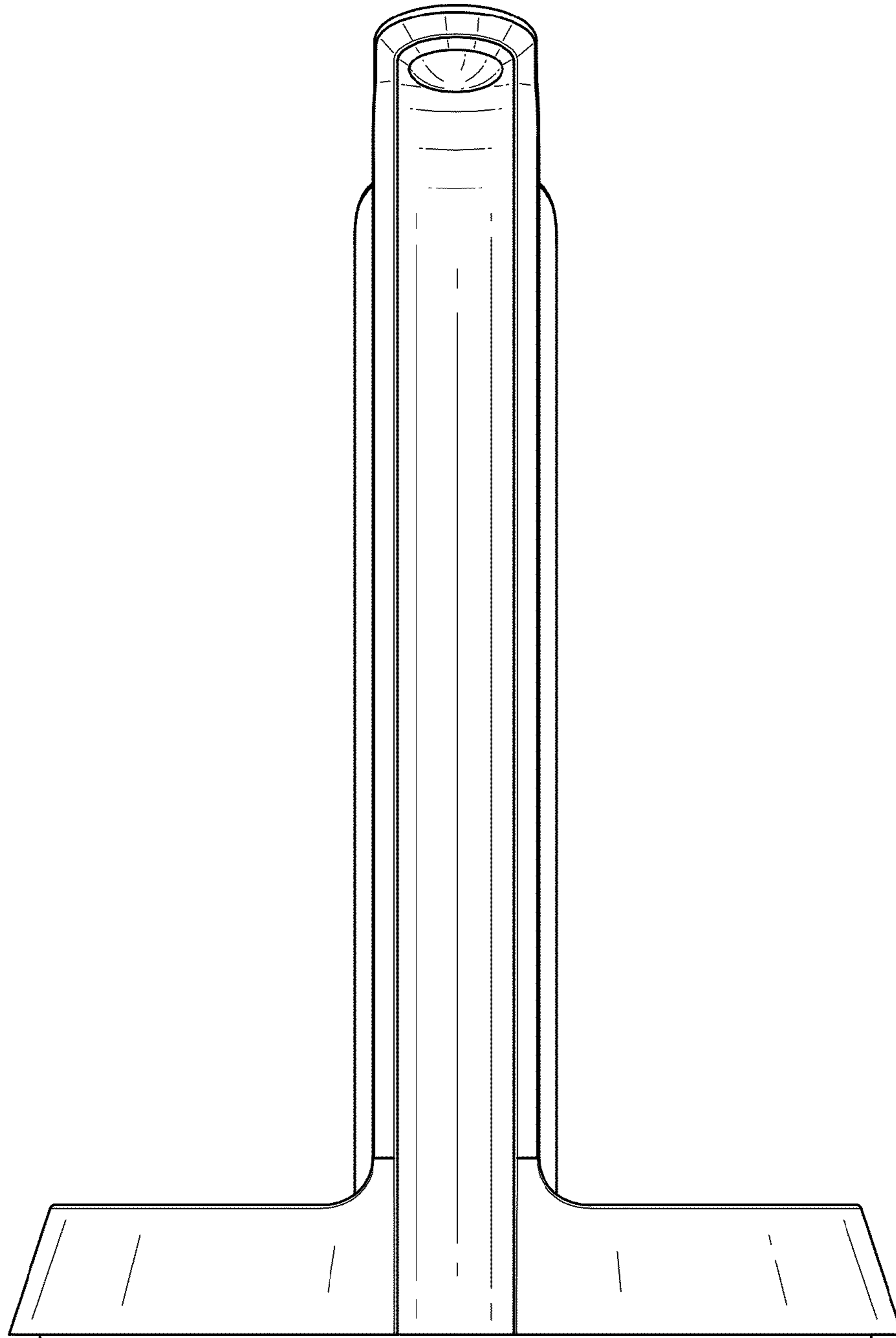


FIG. 3

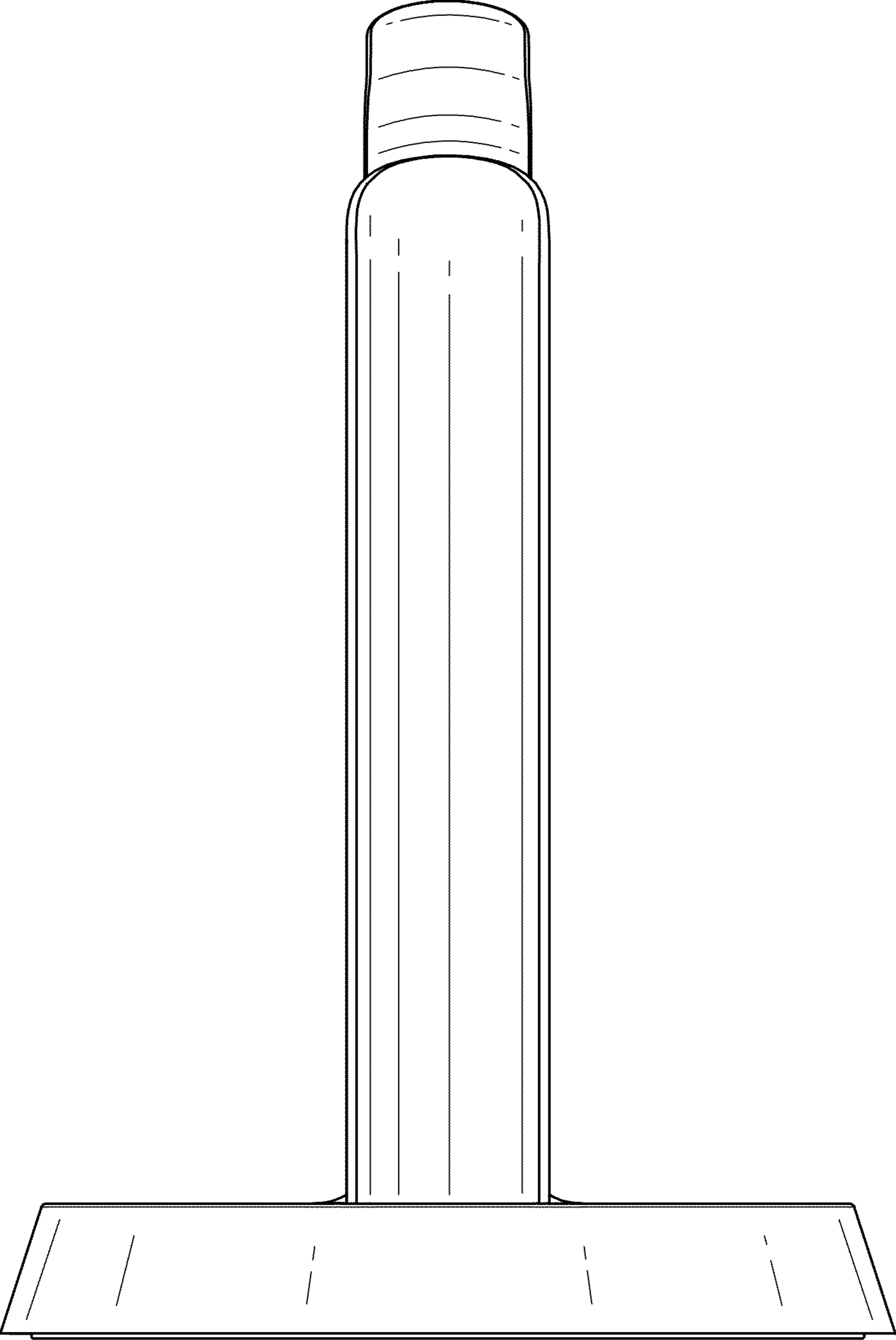


FIG.4

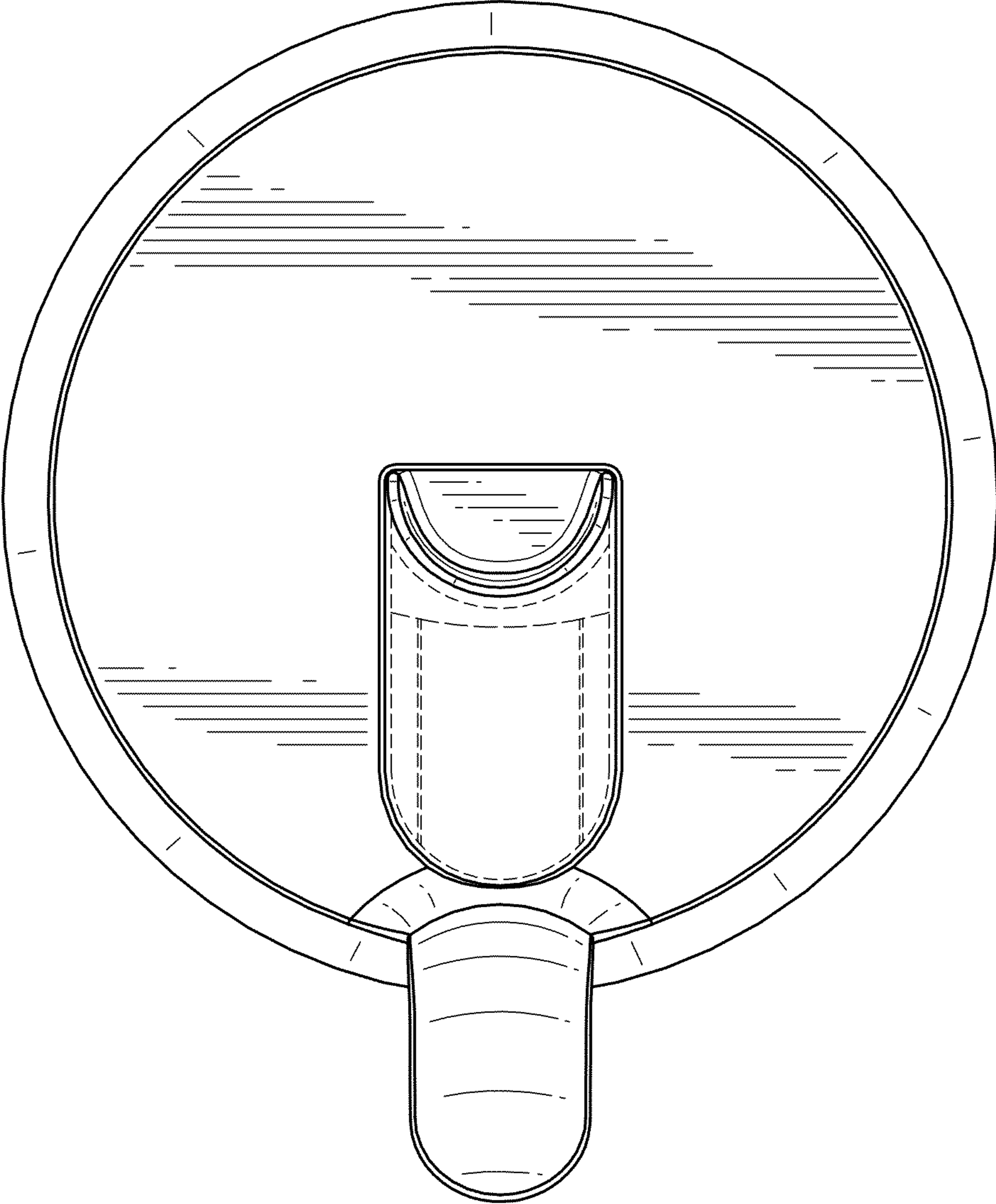


FIG.5

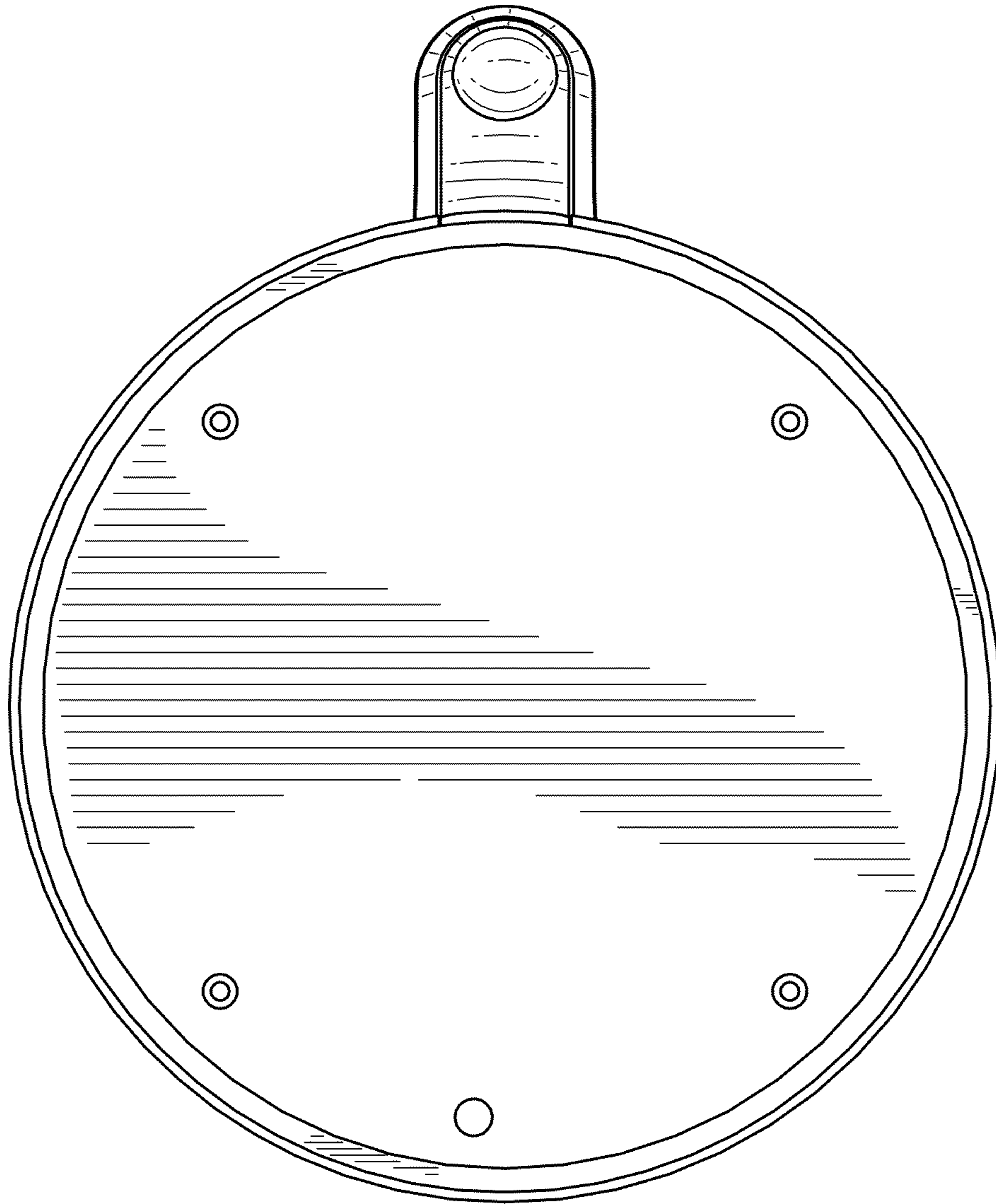


FIG.6

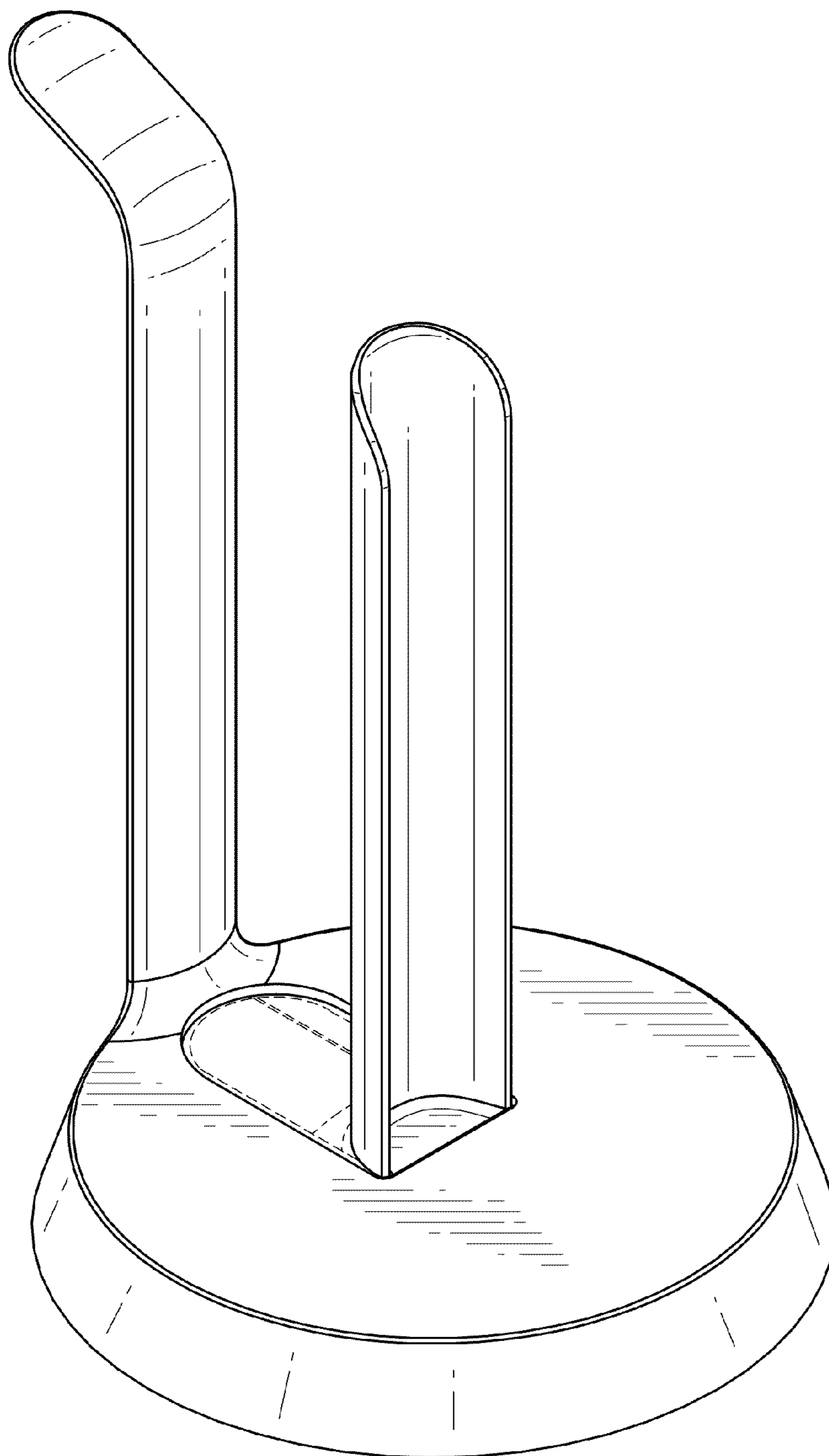


FIG.7