



US00D704472S

(12) **United States Design Patent**  
**Callif et al.**

(10) **Patent No.:** **US D704,472 S**

(45) **Date of Patent:** **\*\* May 13, 2014**

(54) **OVER THE DOOR STORAGE ASSEMBLY**

(71) Applicant: **Liberty Hardware Mfg. Corp.**,  
Winston-Salem, NC (US)

(72) Inventors: **Adam W. Callif**, Chicago, IL (US);  
**Natalie A. Schraufnagel**, Chicago, IL (US)

(73) Assignee: **Liberty Hardware Mfg. Corp.**,  
Winston-Salem, NC (US)

(\*\*) Term: **14 Years**

(21) Appl. No.: **29/472,276**

(22) Filed: **Nov. 11, 2013**

(51) **LOC (10) Cl.** ..... **06-06**

(52) **U.S. Cl.**  
USPC ..... **D6/513; D6/567**

(58) **Field of Classification Search**  
USPC ..... D3/304, 306; 206/202, 513, 557;  
211/13.1, 41.3, 41.4, 86.01, 88.01,  
211/134, 126.1, 181.1; 248/302; 220/485,  
220/488; D6/513, 553, 567, 525  
See application file for complete search history.

(56) **References Cited**

**U.S. PATENT DOCUMENTS**

D301,100 S \* 5/1989 Lee ..... D6/553  
D328,416 S \* 8/1992 Karrer et al. .... D6/567

D549,130 S \* 8/2007 Steiger et al. .... D6/553  
D560,943 S \* 2/2008 Hurd ..... D6/567  
D636,198 S \* 4/2011 Gibbs ..... D6/513  
D639,092 S \* 6/2011 Lundy ..... D6/513  
D692,683 S \* 11/2013 Coraluzzo et al. .... D6/514

\* cited by examiner

*Primary Examiner* — Brian N Vinson

(74) *Attorney, Agent, or Firm* — Lora J. Graentzdoerffer

(57) **CLAIM**

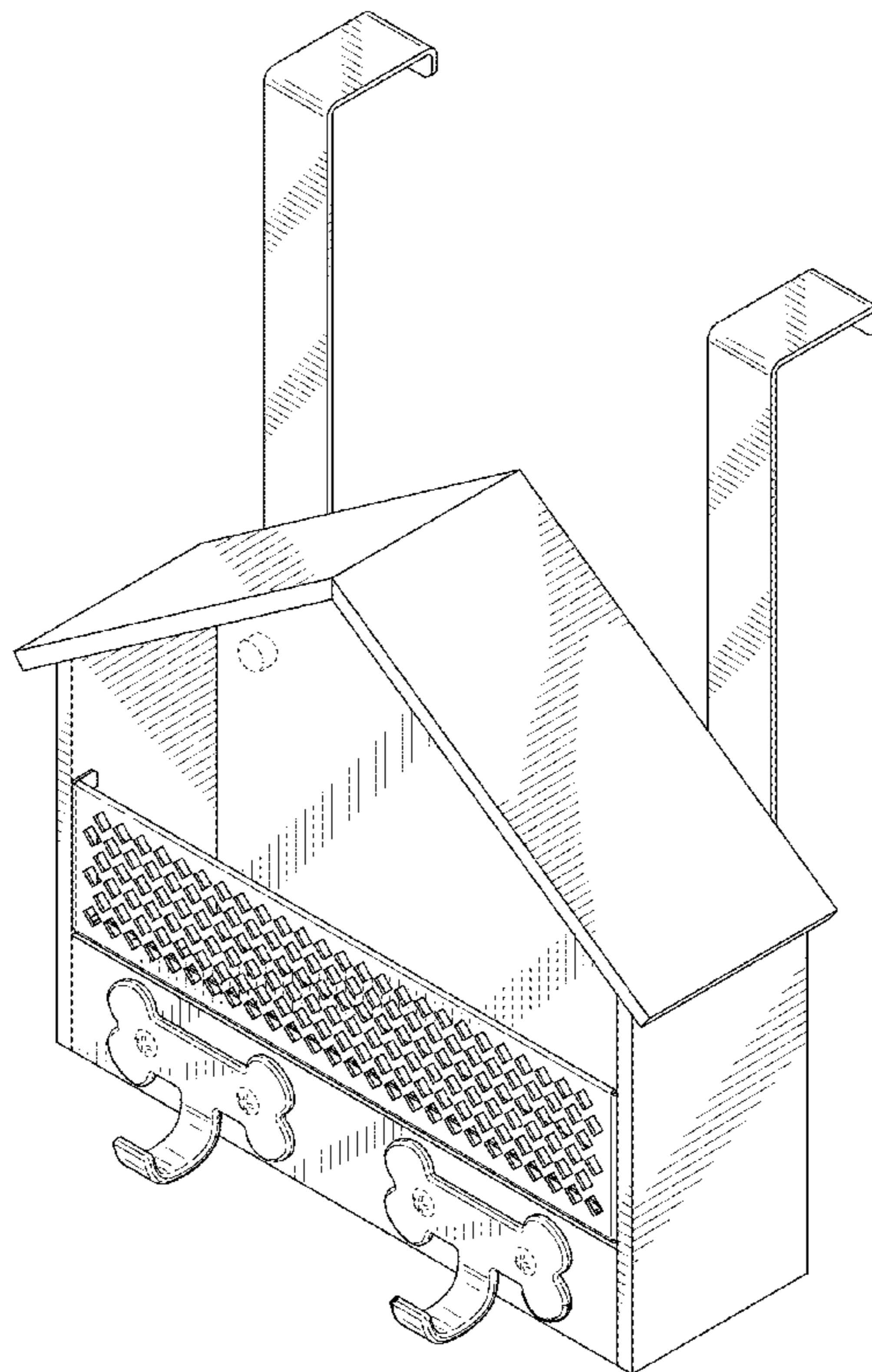
The ornamental design for an over the door storage assembly, as shown and described.

**DESCRIPTION**

FIG. 1 is a perspective view thereof;  
FIG. 2 is a front elevational view thereof;  
FIG. 3 is a left side elevational view thereof;  
FIG. 4 is a right side elevational view thereof;  
FIG. 5 is a top plan view thereof; and,  
FIG. 6 is a bottom plan view thereof.

The broken-line disclosure in the views represents portions of the article in which the claimed design is embodied, but which form no part of the claimed design.

**1 Claim, 4 Drawing Sheets**



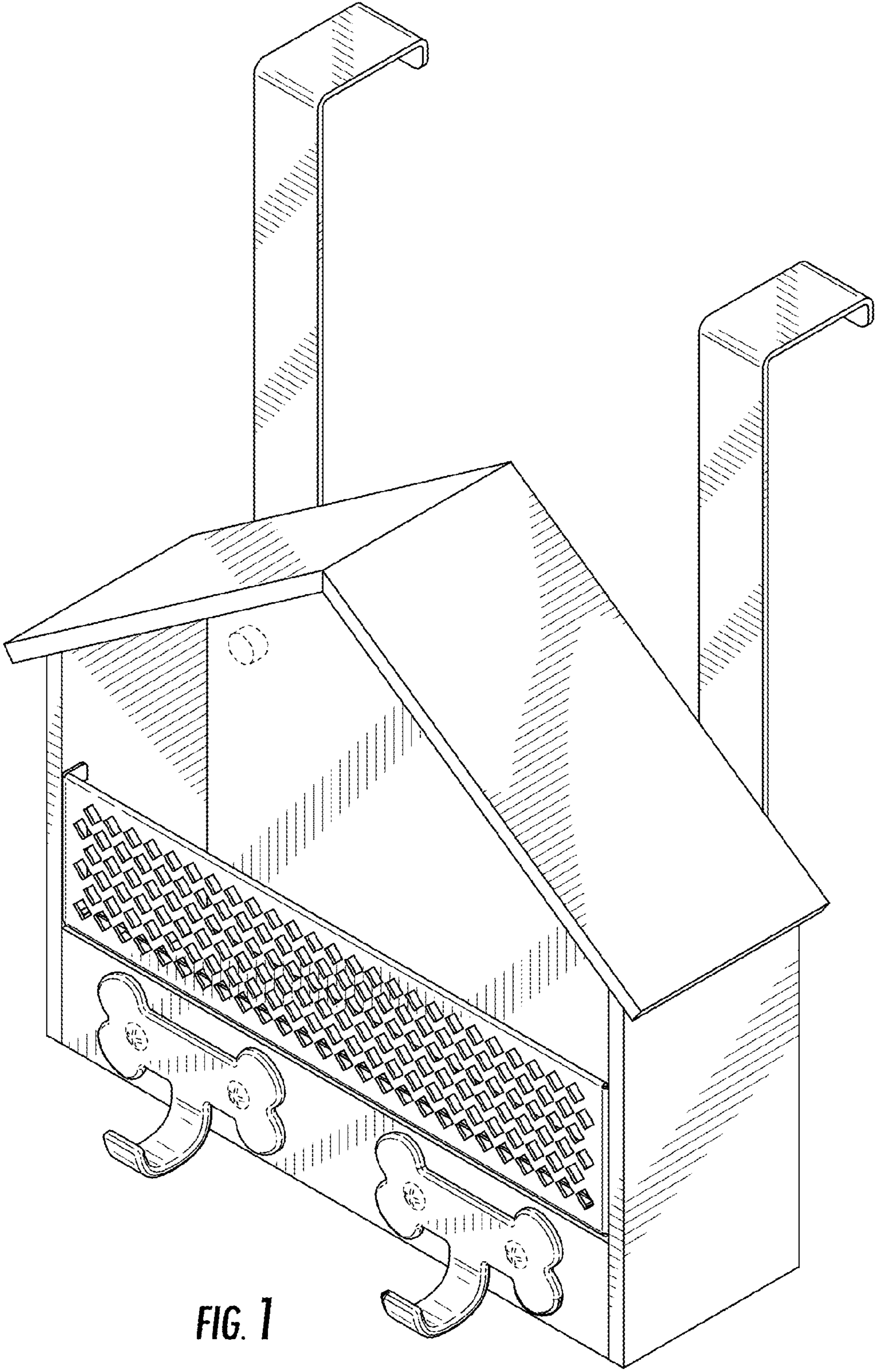


FIG. 1

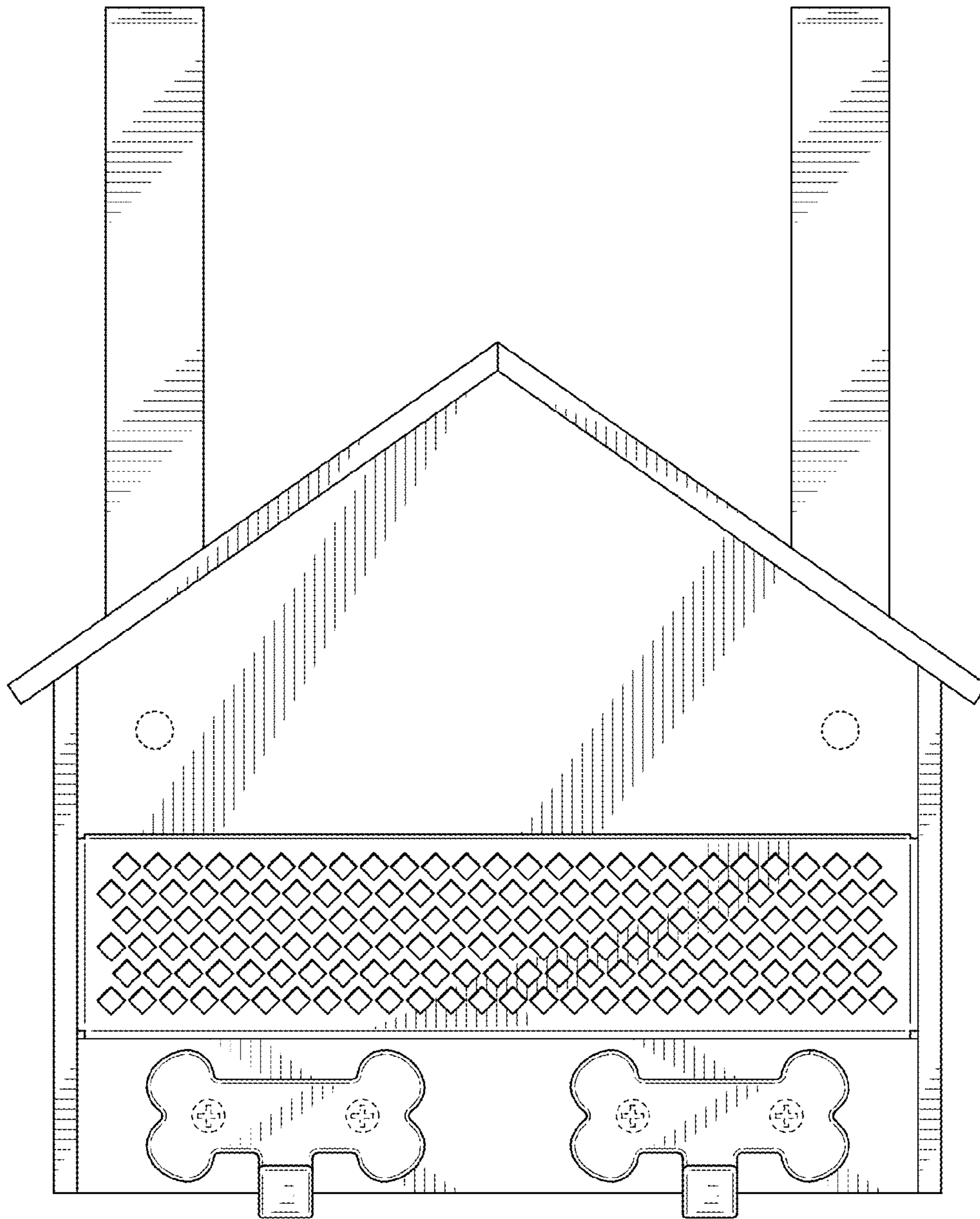


FIG. 2



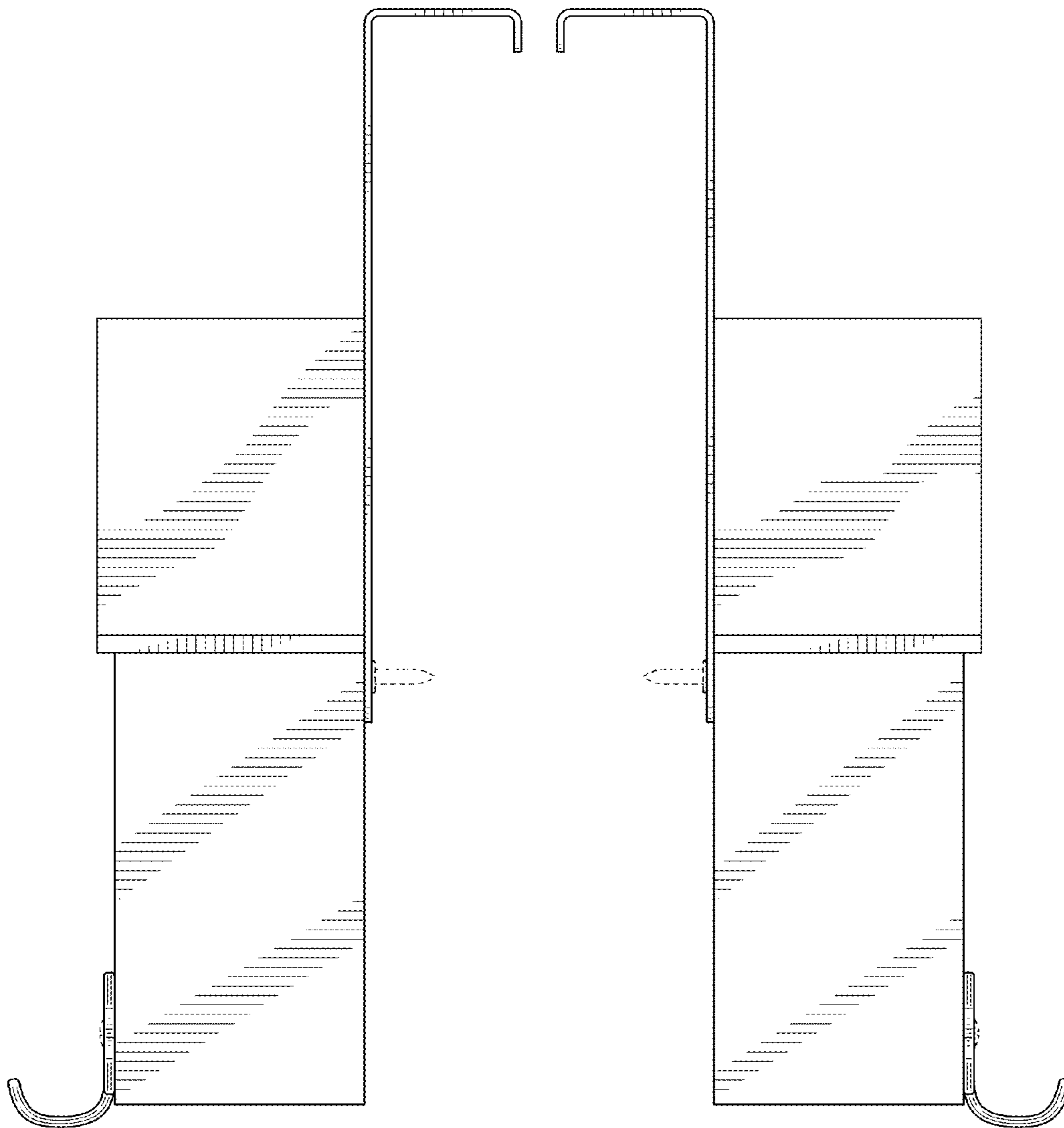


FIG. 3

FIG. 4

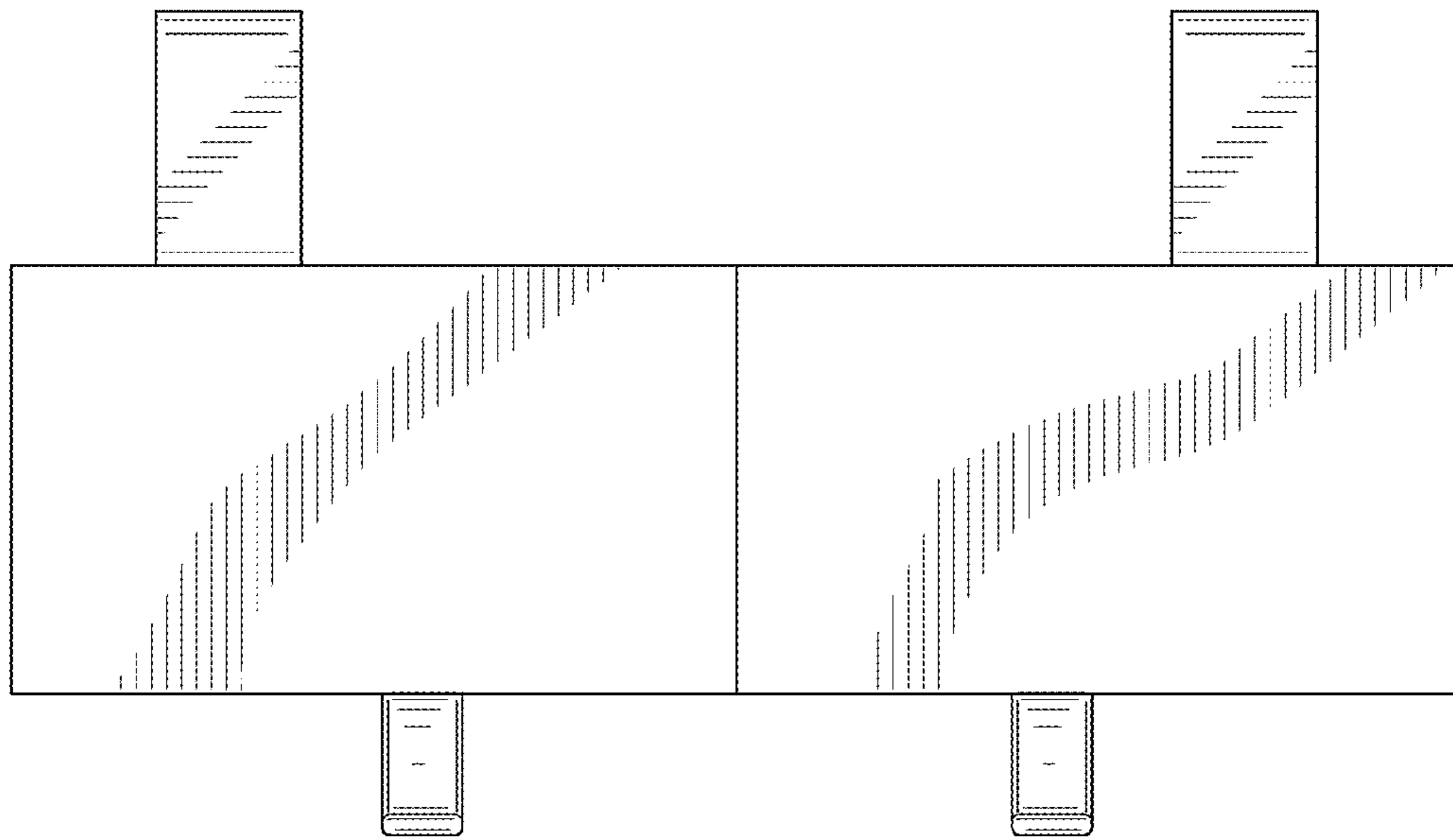


FIG. 5

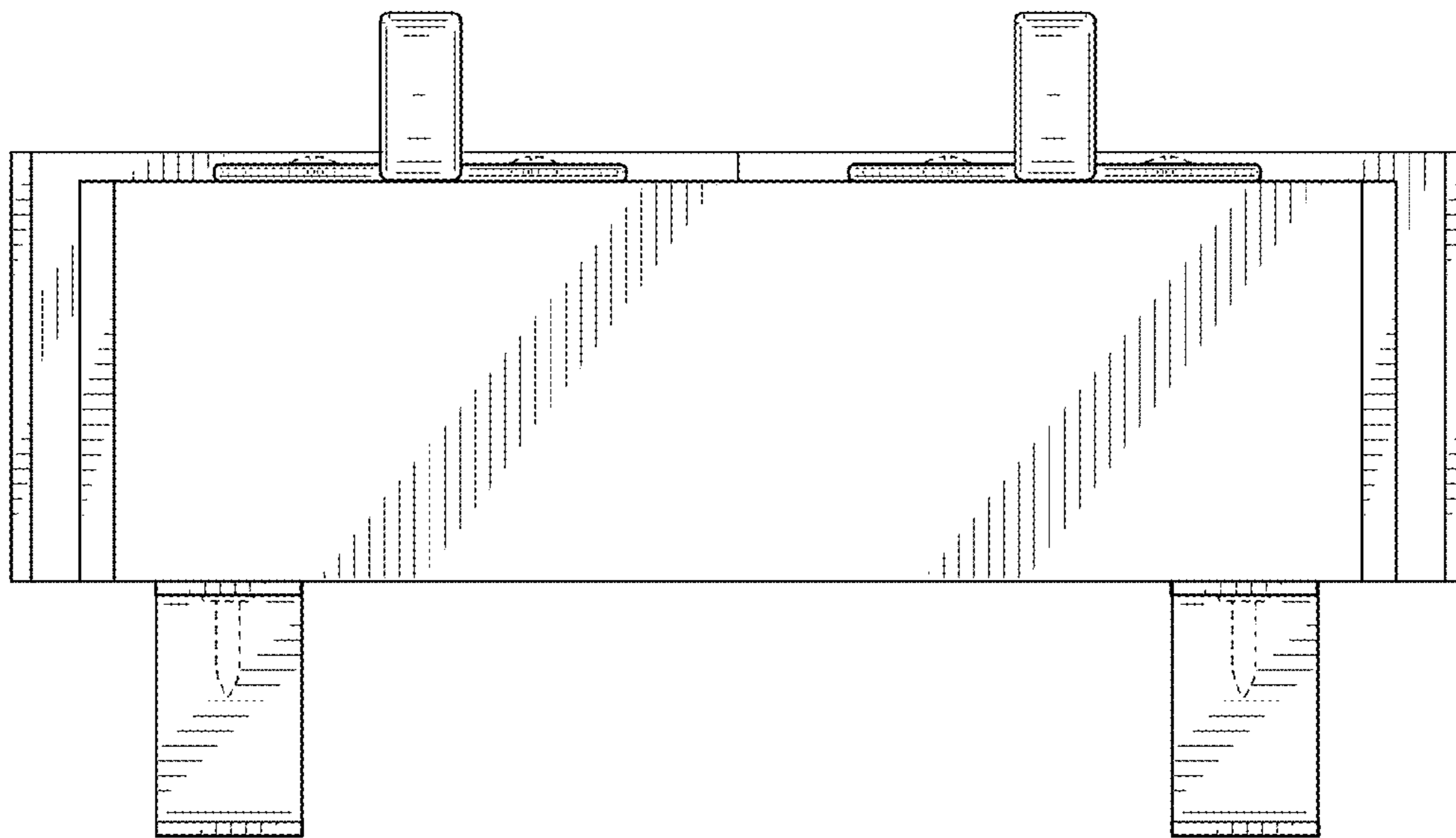


FIG. 6