



US00D704471S

(12) **United States Design Patent**  
**James**

(10) **Patent No.:** **US D704,471 S**  
(45) **Date of Patent:** **\*\* May 13, 2014**

(54) **CHAIR**

(71) Applicant: **Standard Furniture Manufacturing Co., Inc.**, Bay Minette, AL (US)  
(72) Inventor: **Gary W. James**, Dove Canyon, CA (US)  
(73) Assignee: **Standard Furniture Manufacturing Co., Inc.**, Bay Minette, AL (US)  
(\*\*) Term: **14 Years**

D481,881 S *	11/2003	McDaniel et al.	.....	D6/379
D492,853 S *	7/2004	Schmitt	.....	D6/379
D498,093 S *	11/2004	Darafeev	.....	D6/500
D511,903 S *	11/2005	Schmitt	.....	D6/379
D514,839 S *	2/2006	Schmitt	.....	D6/379
D516,333 S *	3/2006	Schmitt	.....	D6/379
D516,334 S *	3/2006	Schmitt	.....	D6/379
D525,042 S *	7/2006	Everson et al.	.....	D6/379
D576,409 S *	9/2008	Schmitt	.....	D6/334
D590,618 S *	4/2009	Hassett, Jr.	.....	D6/379
D590,619 S *	4/2009	Schmitt	.....	D6/379
D591,070 S *	4/2009	Schmitt	.....	D6/379
D592,875 S *	5/2009	Schmitt	.....	D6/379
D601,821 S *	10/2009	Domack et al.	.....	D6/379

(21) Appl. No.: **29/459,893**

(Continued)

(22) Filed: **Jul. 3, 2013**

Primary Examiner — Ricky Pham

(51) **LOC (10) Cl.** ..... **06-01**

(57) **CLAIM**

(52) **U.S. Cl.**  
USPC ..... **D6/379**

I claim the ornamental design for a chair, as shown and described.

(58) **Field of Classification Search**  
USPC ..... D6/334–336, 344–356, 360–381, 388,  
D6/403, 491–502, 692, 708, 716,  
D6/716.2–716.4; 297/16.1, 22, 31, 35,  
297/135, 217.1, 228.12, 248, 256.16, 271.6,  
297/284.4–284.5, 291, 297, 302.4, 411.2,  
297/411.27–411.29, 411.43, 423.1, 423.12,  
297/440.11, 440.15, 440.21–440.24, 448.1,  
297/451.4, 452.13, 452.19, 452.21, 452.27,  
297/452.29, 452.3, 452.41, 452.56, 452.64  
See application file for complete search history.

**DESCRIPTION**

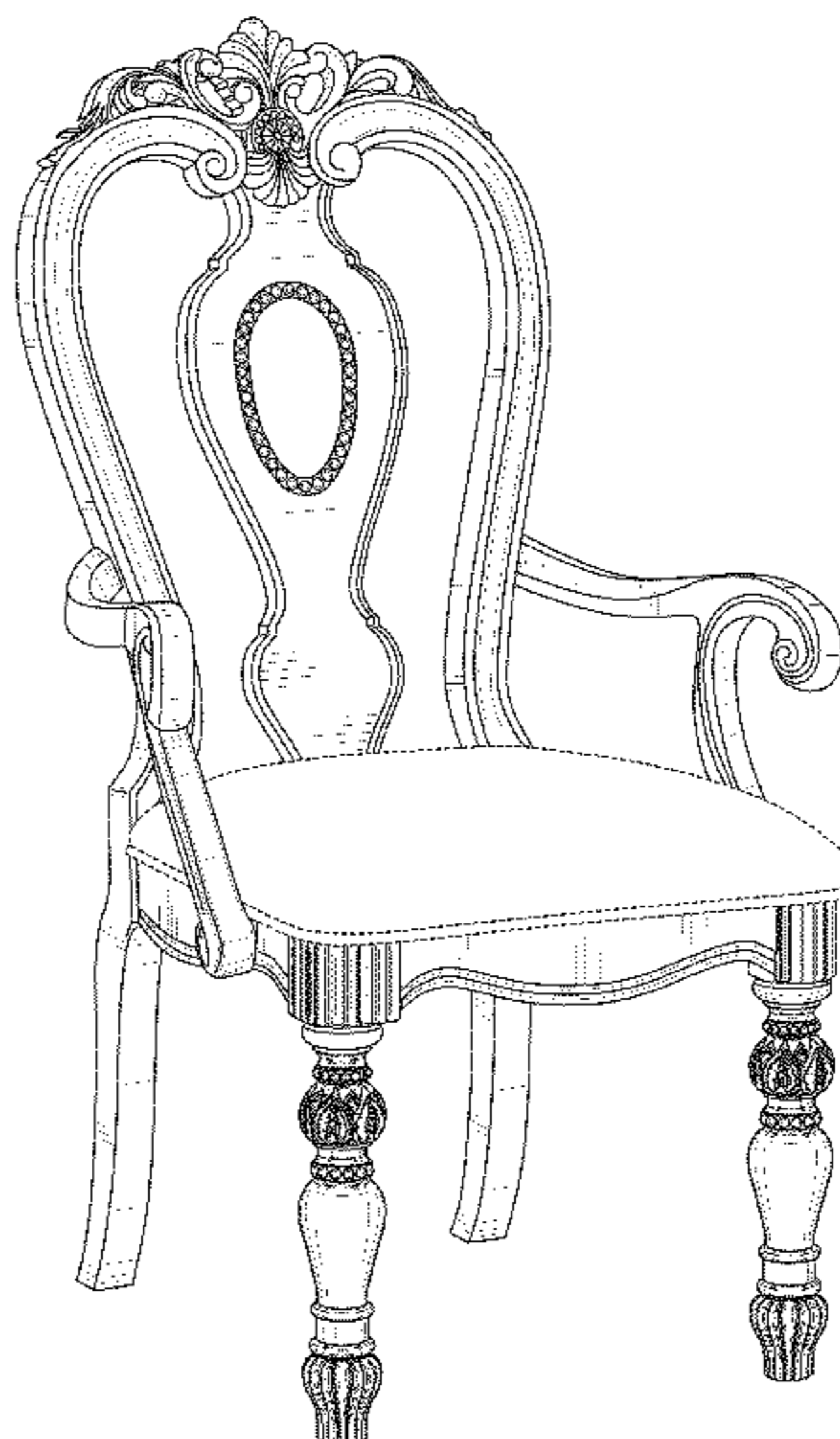
(56) **References Cited**

U.S. PATENT DOCUMENTS

D39,390 S *	6/1908	Killian	.....	D6/369
D448,944 S *	10/2001	McDaniel et al.	.....	D6/379
D451,694 S *	12/2001	Vaaler	.....	D6/379
D459,905 S *	7/2002	Stanton	.....	D6/379
D463,154 S *	9/2002	Vaaler	.....	D6/379
D468,925 S *	1/2003	Vaaler	.....	D6/379
D472,724 S *	4/2003	Schmitt	.....	D6/379
D479,658 S *	9/2003	Warren et al.	.....	D6/379
D480,576 S *	10/2003	Schmitt	.....	D6/379

FIG. 1 is a perspective view of a chair illustrating the claimed design;  
FIG. 2 is a front side view of the design of the chair shown in FIG. 1;  
FIG. 3 is a left side view of the design of the chair shown in FIG. 1;  
FIG. 4 is a right side view of the design of the chair shown in FIG. 1;  
FIG. 5 is a back side view of the design of the chair shown in FIG. 1;  
FIG. 6 is a top view of the design of the chair shown in FIG. 1;  
FIG. 7 is a bottom view of the design of the chair shown in FIG. 1; and,  
FIG. 8 is an enlarged perspective view of a front leg of the chair shown in FIG. 1.  
The broken lines in the drawings are for illustrative purposes only and form no part of the claimed design.

**1 Claim, 7 Drawing Sheets**



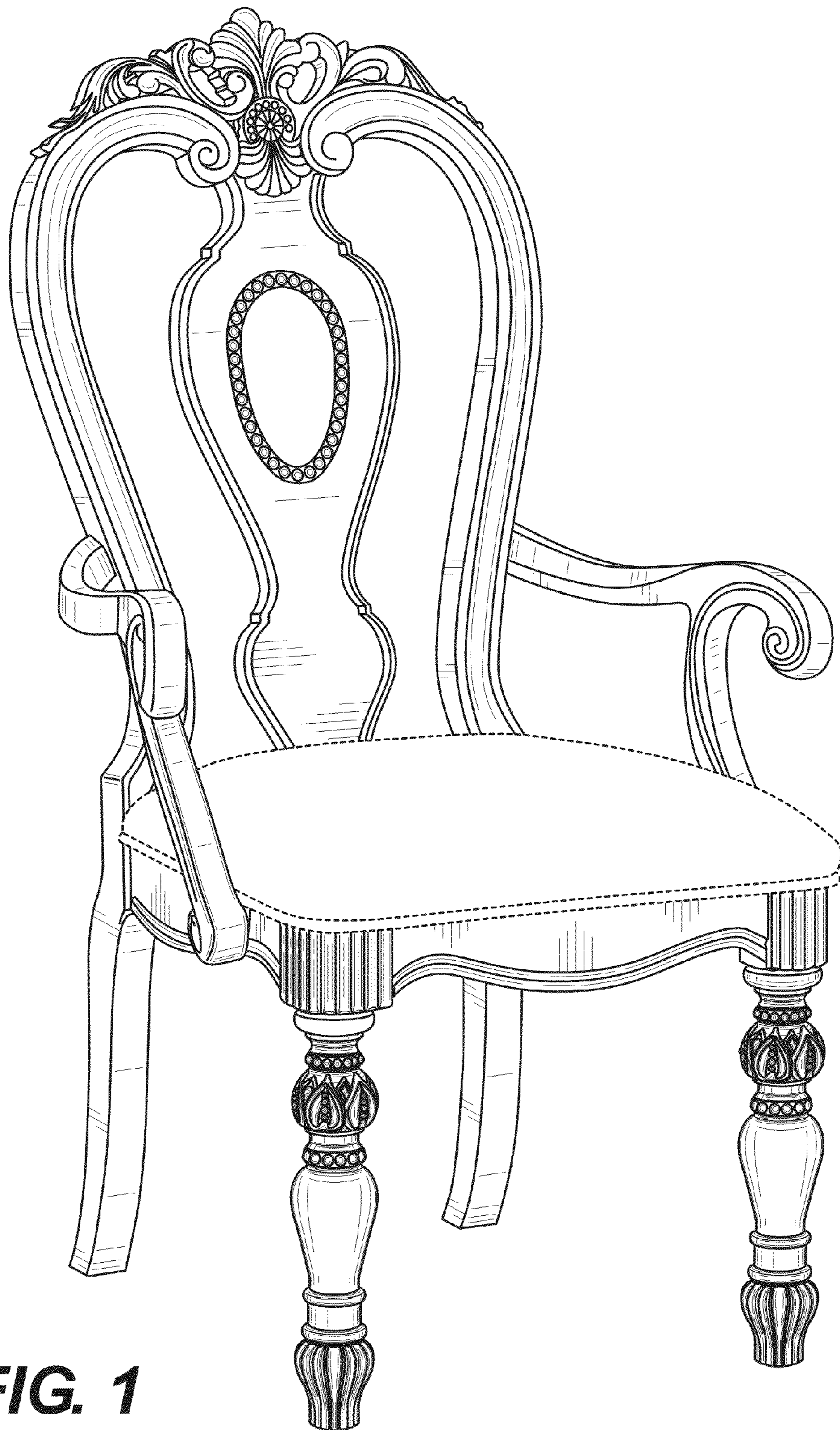
(56)

**References Cited**

D612,626 S \* 3/2010 Schmitt ..... D6/379  
D612,627 S \* 3/2010 Schmitt ..... D6/379

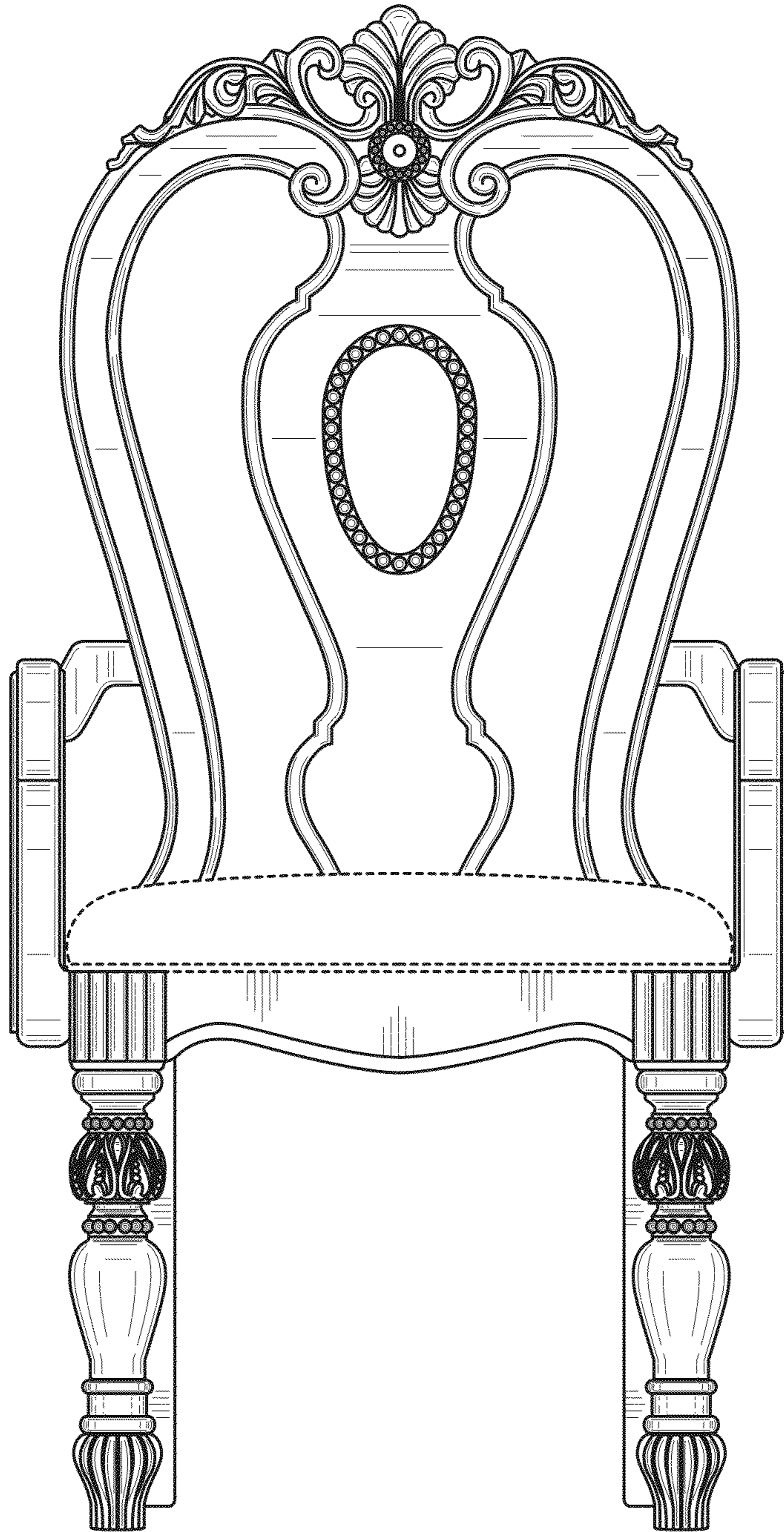
U.S. PATENT DOCUMENTS

D610,828 S \* 3/2010 Schmitt ..... D6/379 \* cited by examiner

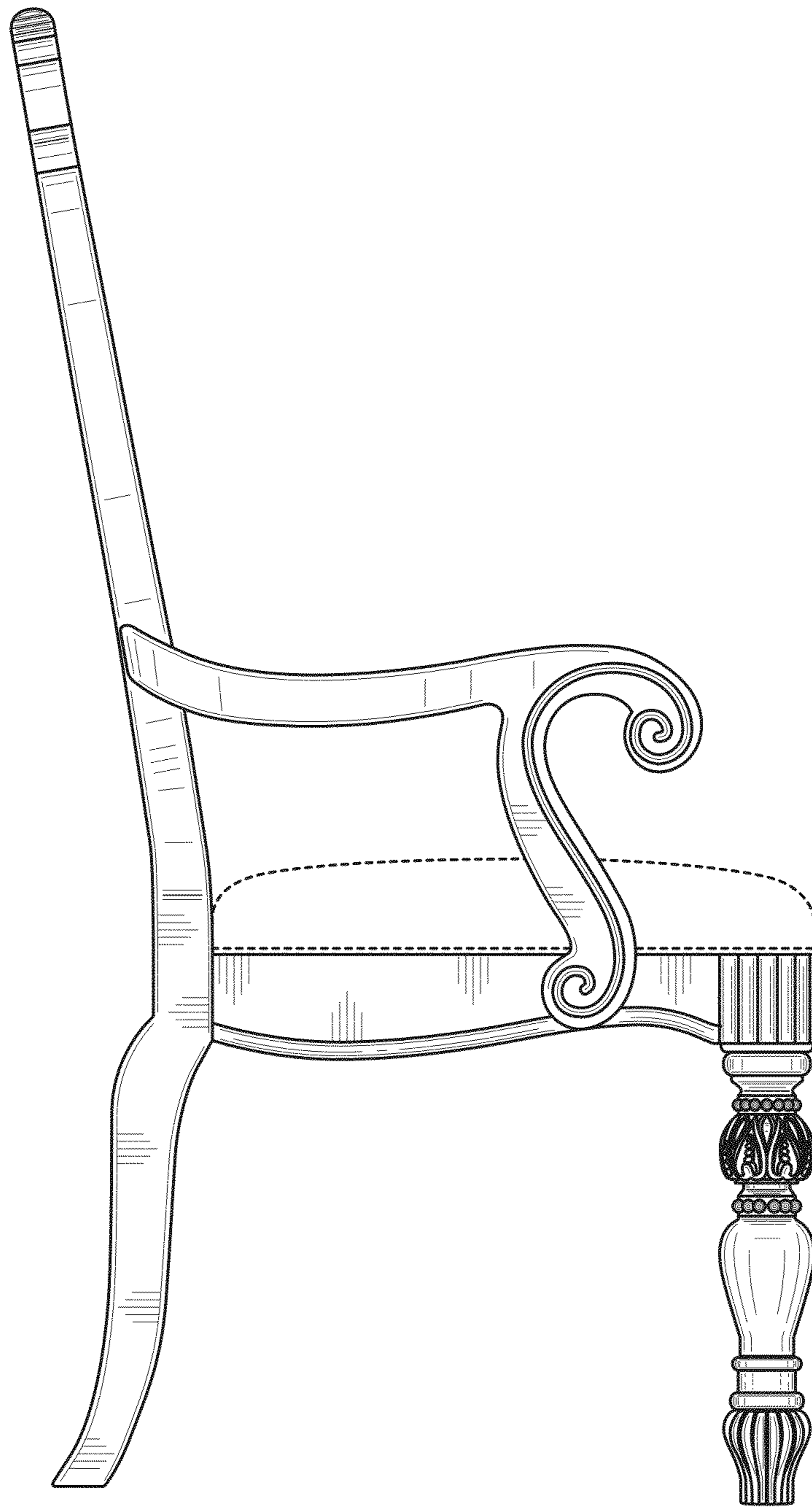


**FIG. 1**

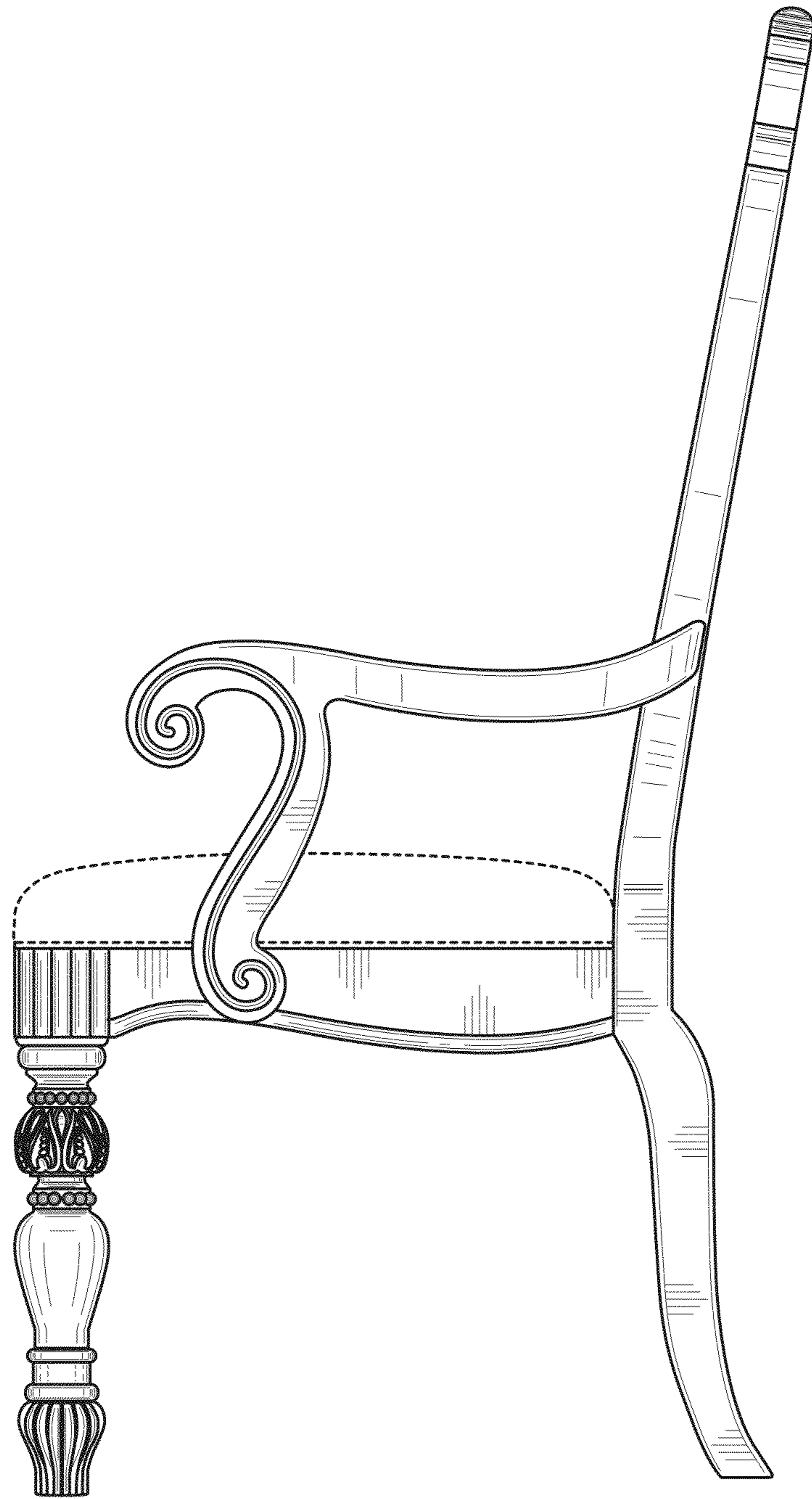




**FIG. 2**

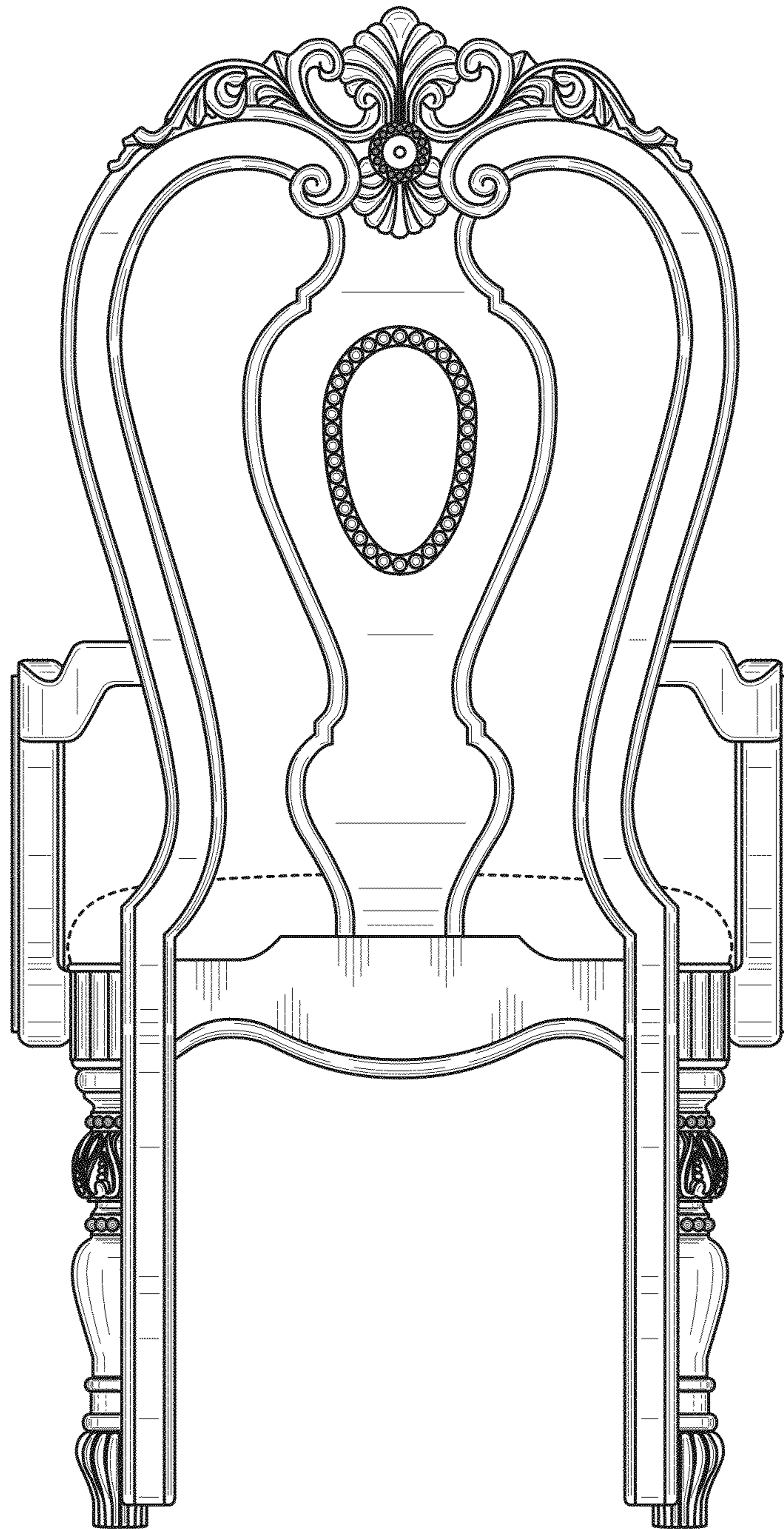


**FIG. 3**

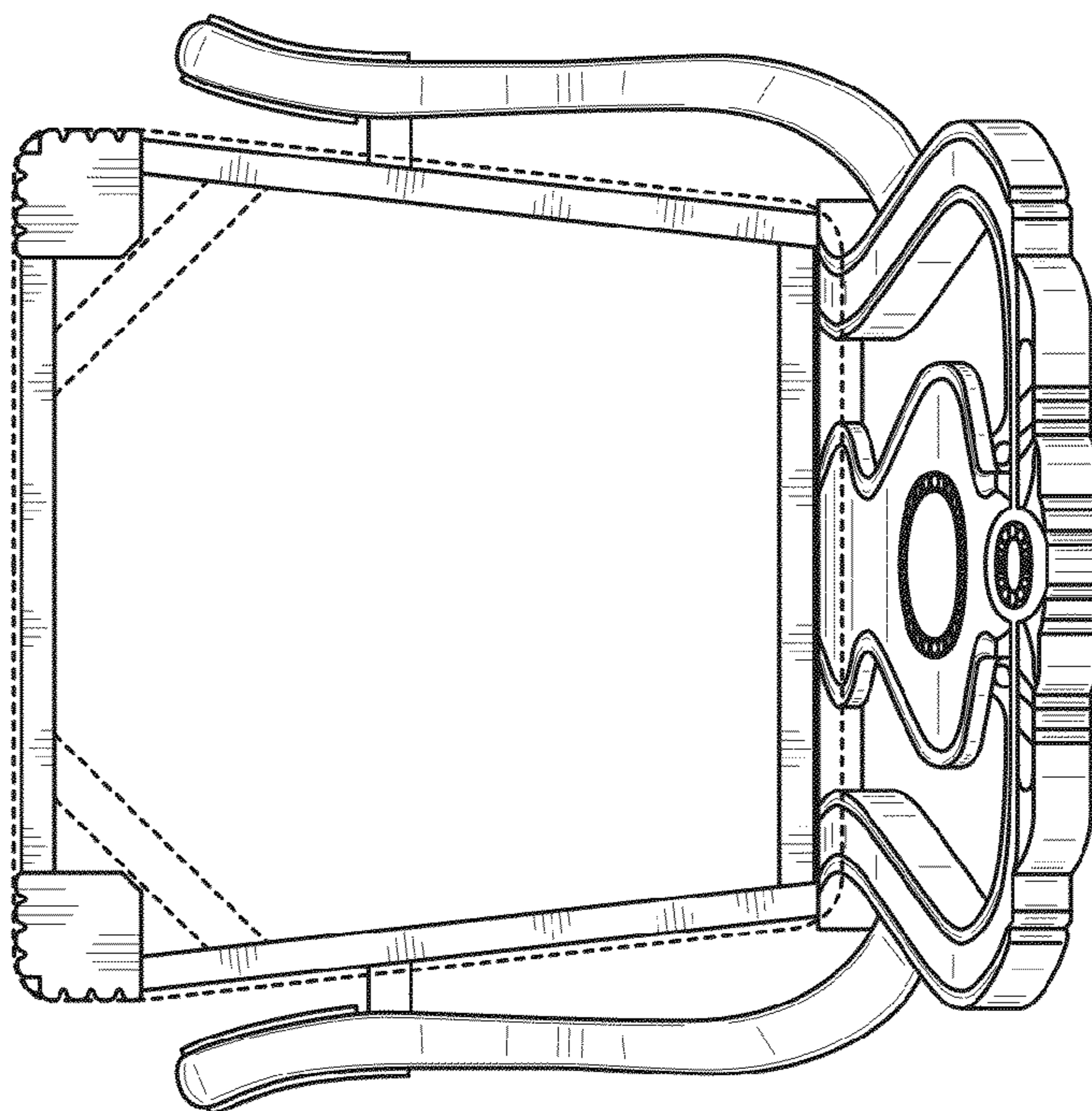


**FIG. 4**

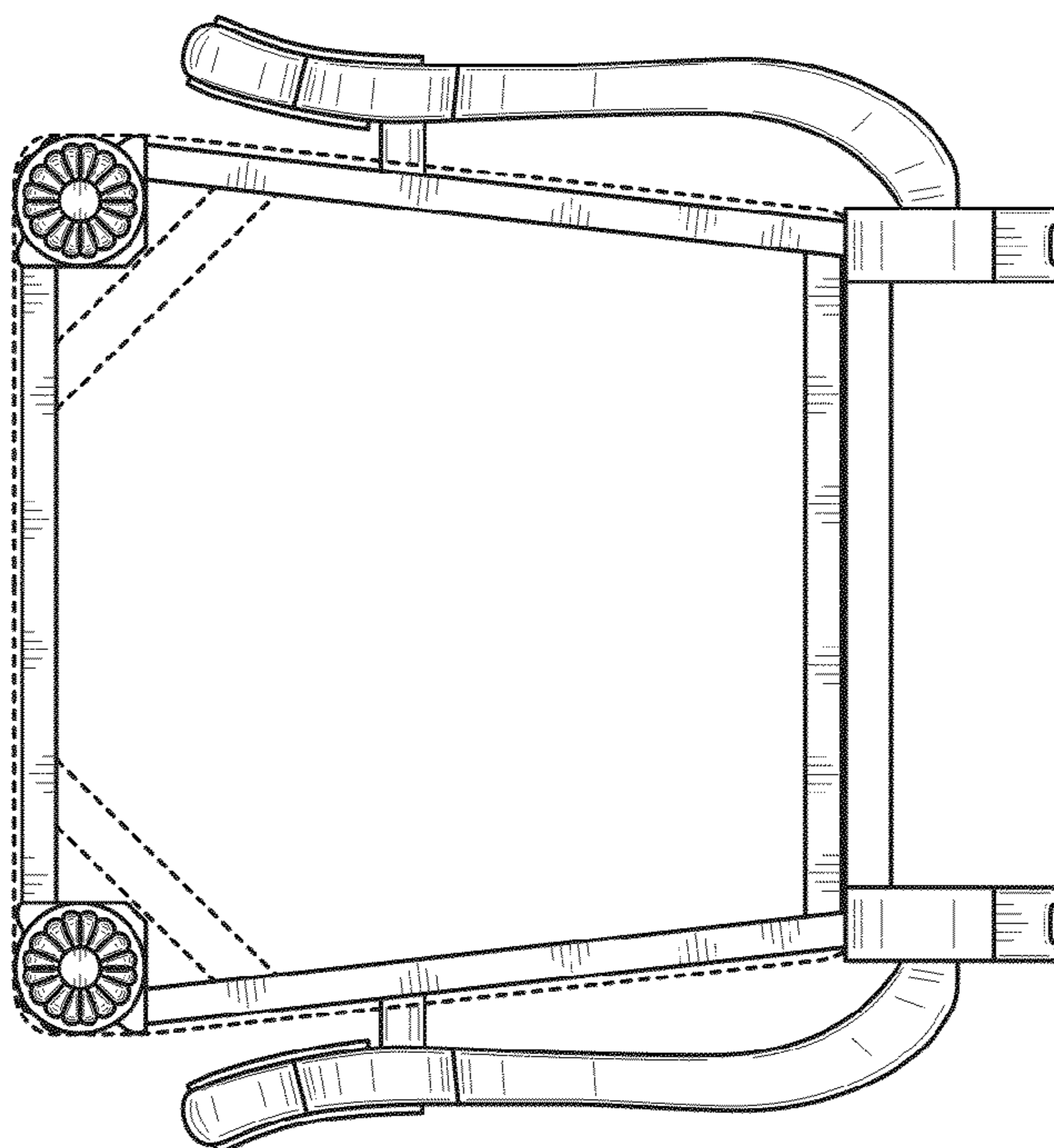




**FIG. 5**



**FIG. 6**



**FIG. 7**





**FIG. 8**