

US00D704468S

(12) **United States Design Patent**
Gaschy et al.

(10) **Patent No.:** **US D704,468 S**

(45) **Date of Patent:** **** May 13, 2014**

- (54) **SEAT**
- (71) Applicant: **Steelcase S.A., Schiltigheim (FR)**
- (72) Inventors: **Bryony Gaschy, Oberhausbergen (FR);**
Alban Moriniere, Strasbourg (FR);
Oscar Doll, Strasbourg (FR)
- (73) Assignee: **Steelcase S.A., Schiltigheim (FR)**
- (**) Term: **14 Years**
- (21) Appl. No.: **29/472,111**
- (22) Filed: **Nov. 8, 2013**

- (30) **Foreign Application Priority Data**
May 21, 2013 (EM) 002240549-0001
- (51) **LOC (10) Cl.** **06-01**
- (52) **U.S. Cl.**
USPC **D6/371**
- (58) **Field of Classification Search**
USPC D6/334-336, 361, 364, 371, 373, 374,
D6/381, 716, 716.1, 716.2, 716.3, 716.4;
297/232, 233, 440.1, 440.23, 448.2,
297/451.8

See application file for complete search history.

- (56) **References Cited**
U.S. PATENT DOCUMENTS
D169,911 S 6/1953 Netzer
D181,845 S 1/1958 Frey
2,985,892 A 5/1961 Garrigus, Sr. et al.
D245,950 S 10/1977 Mathur
4,092,049 A * 5/1978 Schoblom 297/440.23
D248,802 S 8/1978 Iselin
4,110,855 A 9/1978 Acker

- D261,955 S 11/1981 Aronowitz et al.
- D262,163 S * 12/1981 Aronowitz et al. D6/364
- D269,651 S * 7/1983 Blowers D6/364
- D272,968 S 3/1984 Fairaizen
- D273,254 S 4/1984 Fairaizen
- D280,364 S * 9/1985 Hopfer D6/371
- D283,855 S 5/1986 Kujawski
- D335,035 S * 4/1993 Floyd D6/361
- 5,860,704 A * 1/1999 Smith 297/440.1
- D433,824 S 11/2000 King
- D454,441 S 3/2002 Bermudez
- D476,819 S 7/2003 Williams et al.
- D480,883 S 10/2003 Williams et al.
- D482,535 S 11/2003 Williams et al.
- D510,486 S * 10/2005 Karl D6/334
- D521,760 S 5/2006 Auberger
- D525,802 S 8/2006 Spear
- D526,803 S 8/2006 Lee
- D538,549 S 3/2007 Spear
- D544,231 S * 6/2007 Boutin D6/375
- D553,867 S 10/2007 Williams et al.
- D566,980 S * 4/2008 Mourgue D6/381
- D567,526 S 4/2008 Williams et al.

(Continued)

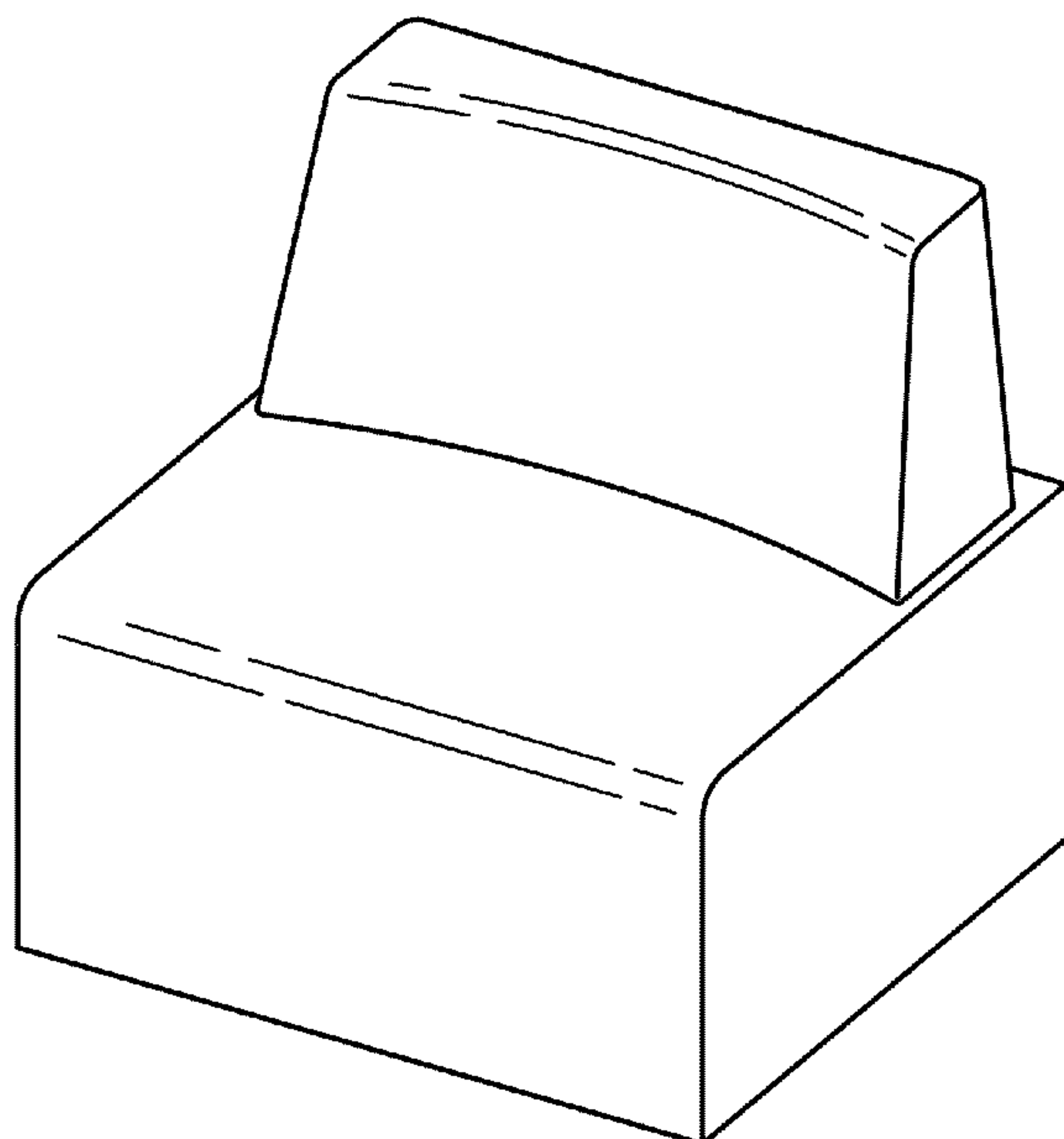
Primary Examiner — Mimoso De

(57) **CLAIM**
We claim the ornamental design for a seat, as shown and described.

DESCRIPTION

FIG. 1 is a front perspective view of a seat;
FIG. 2 is a front view of a seat of FIG. 1;
FIG. 3 is a rear view of a seat of FIG. 1;
FIG. 4 is a right side view of a seat of FIG. 1;
FIG. 5 is a left side view of a seat of FIG. 1;
FIG. 6 is a top view of a seat of FIG. 1; and,
FIG. 7 is a bottom view of a seat of FIG. 1.

1 Claim, 4 Drawing Sheets



(56)

References Cited

U.S. PATENT DOCUMENTS

D569,112 S	5/2008	Swanson	D639,083 S	6/2011	Martin
D577,211 S	9/2008	Natuzzi	D657,155 S	4/2012	Grandin et al.
D587,918 S	3/2009	Bergman et al.	D676,683 S	2/2013	Martin et al.
D624,328 S *	9/2010	Grandin et al. D6/381	D680,762 S	4/2013	Nagata
			D685,200 S *	7/2013	Sage et al. D6/371

* cited by examiner

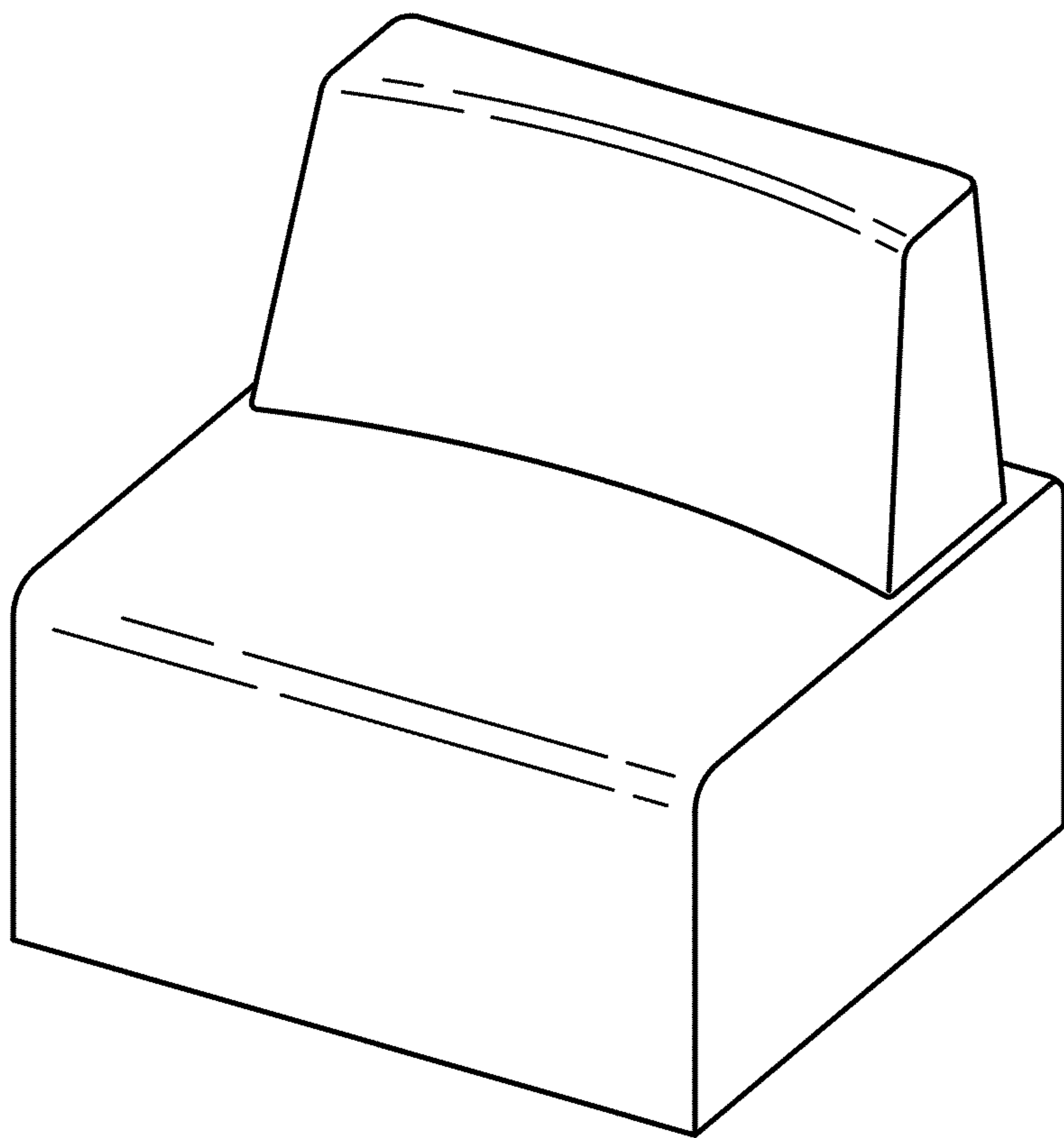


FIG. 1

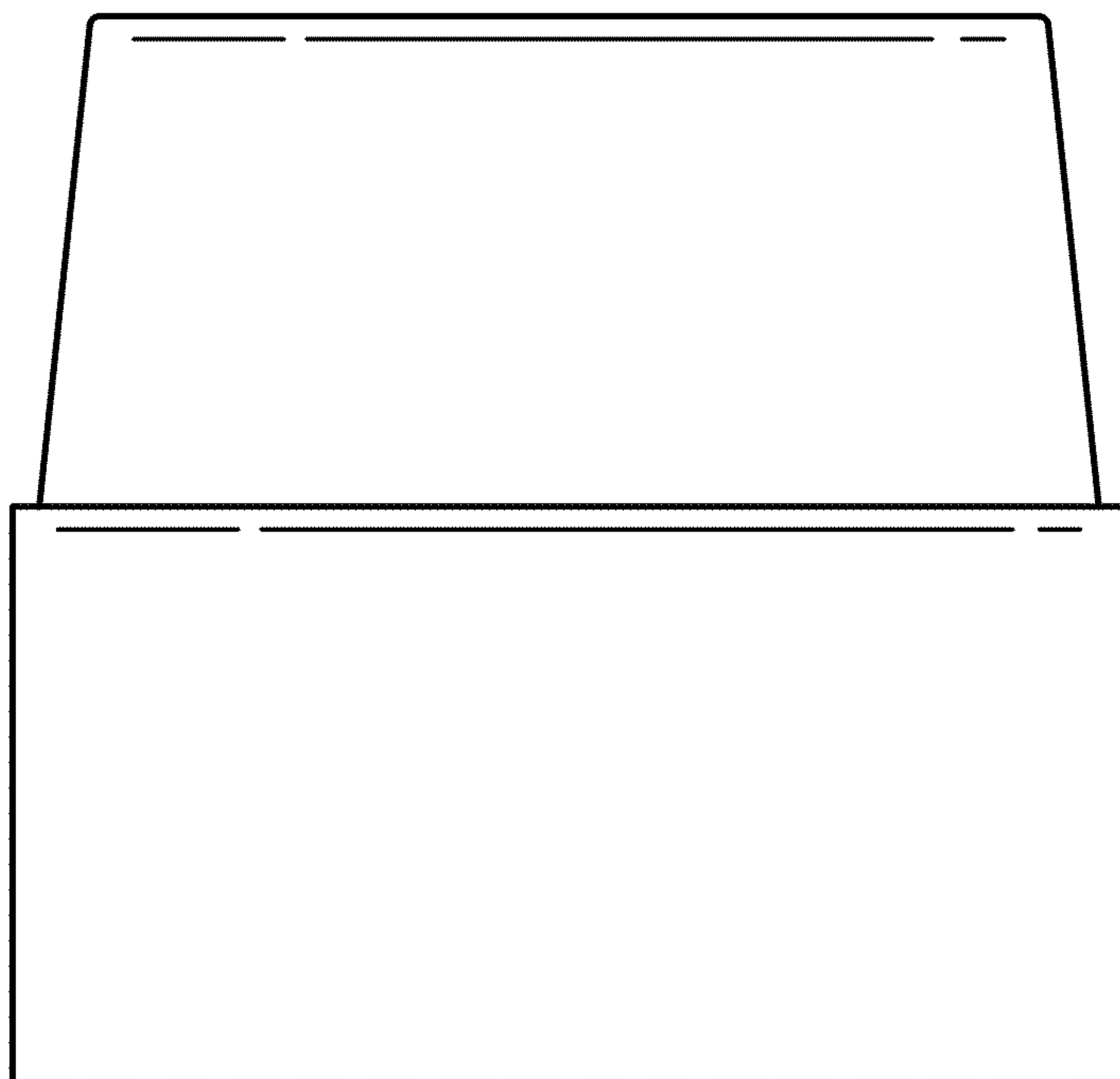


FIG. 2

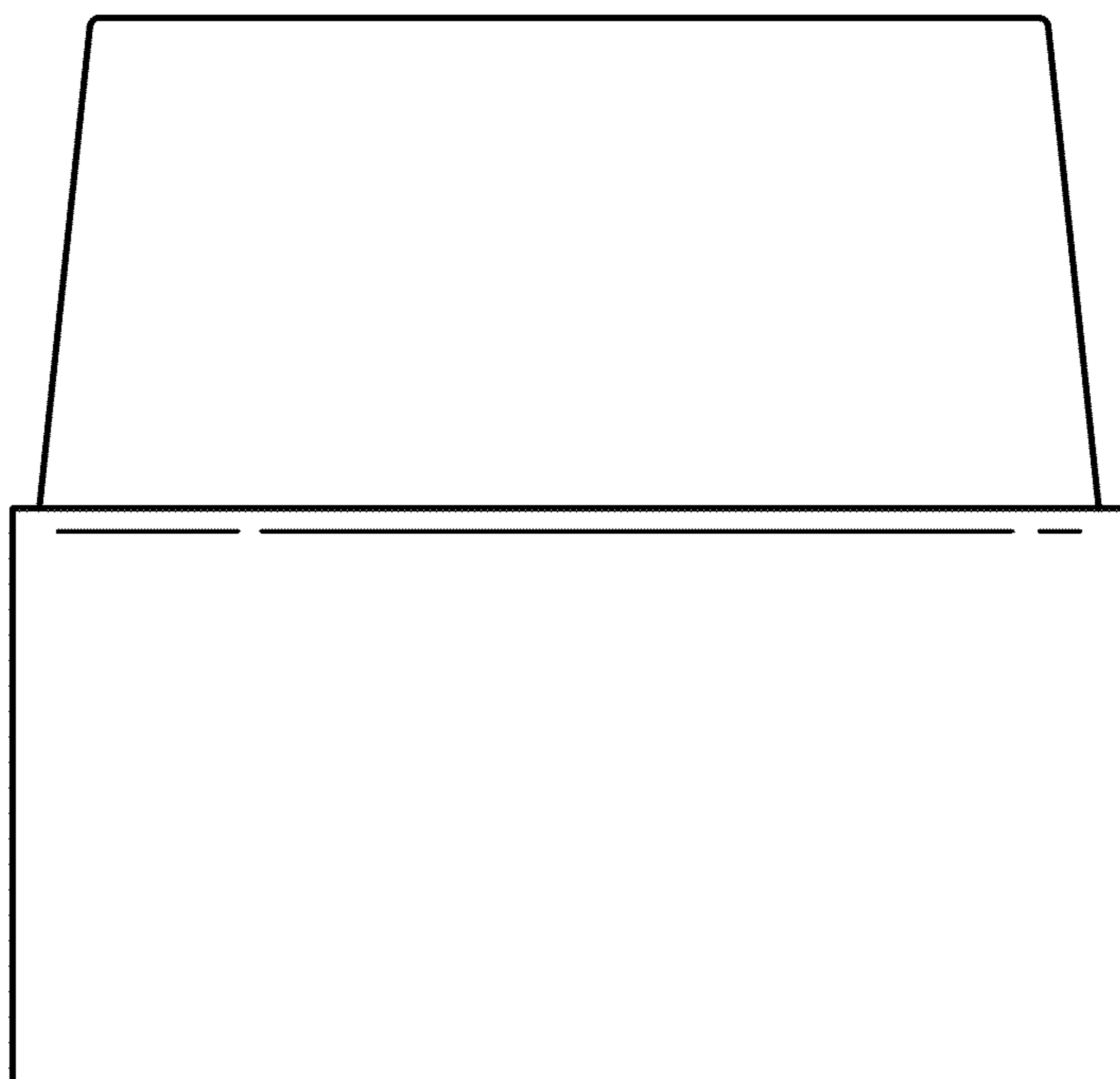


FIG. 3

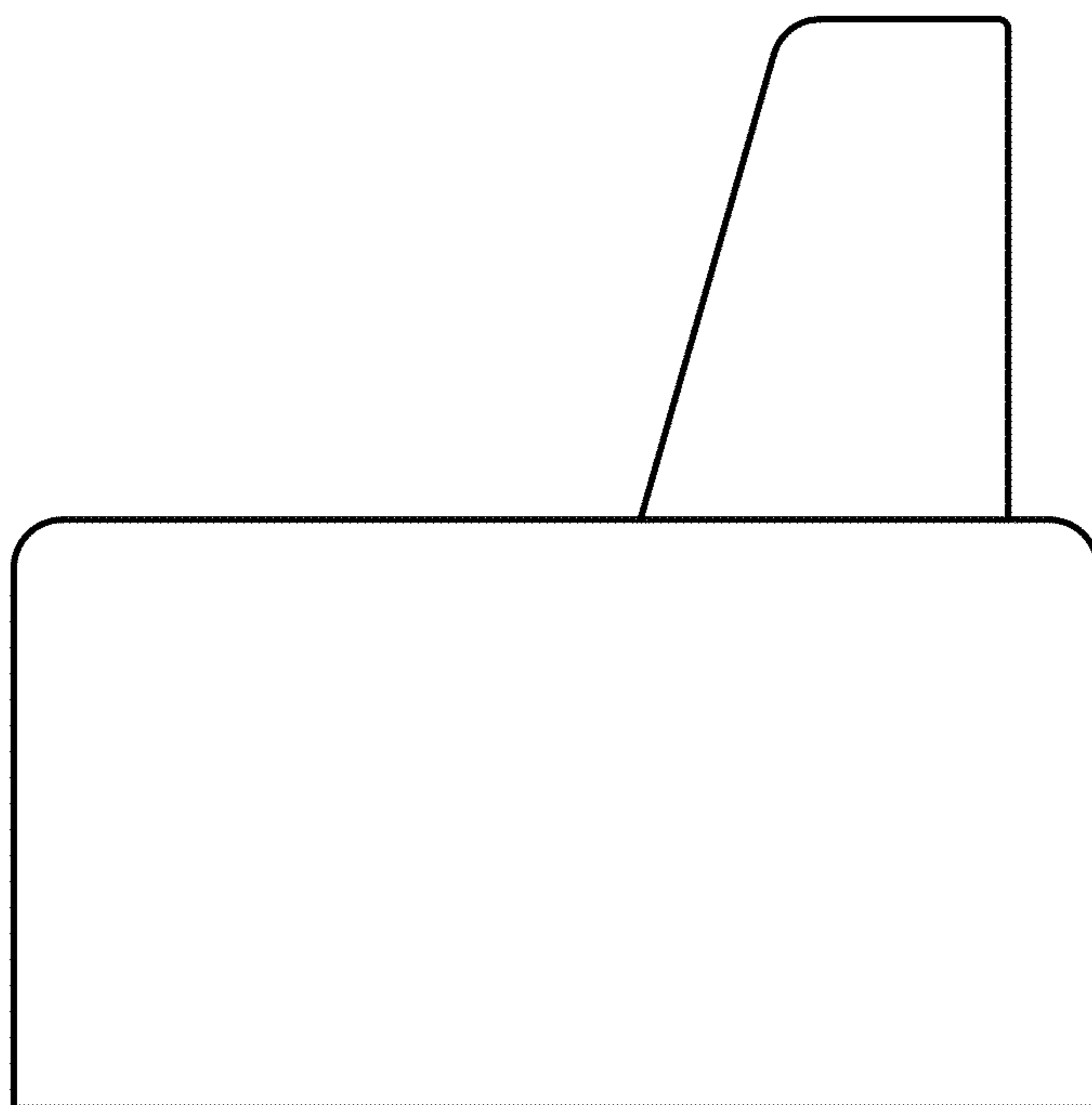


FIG. 4

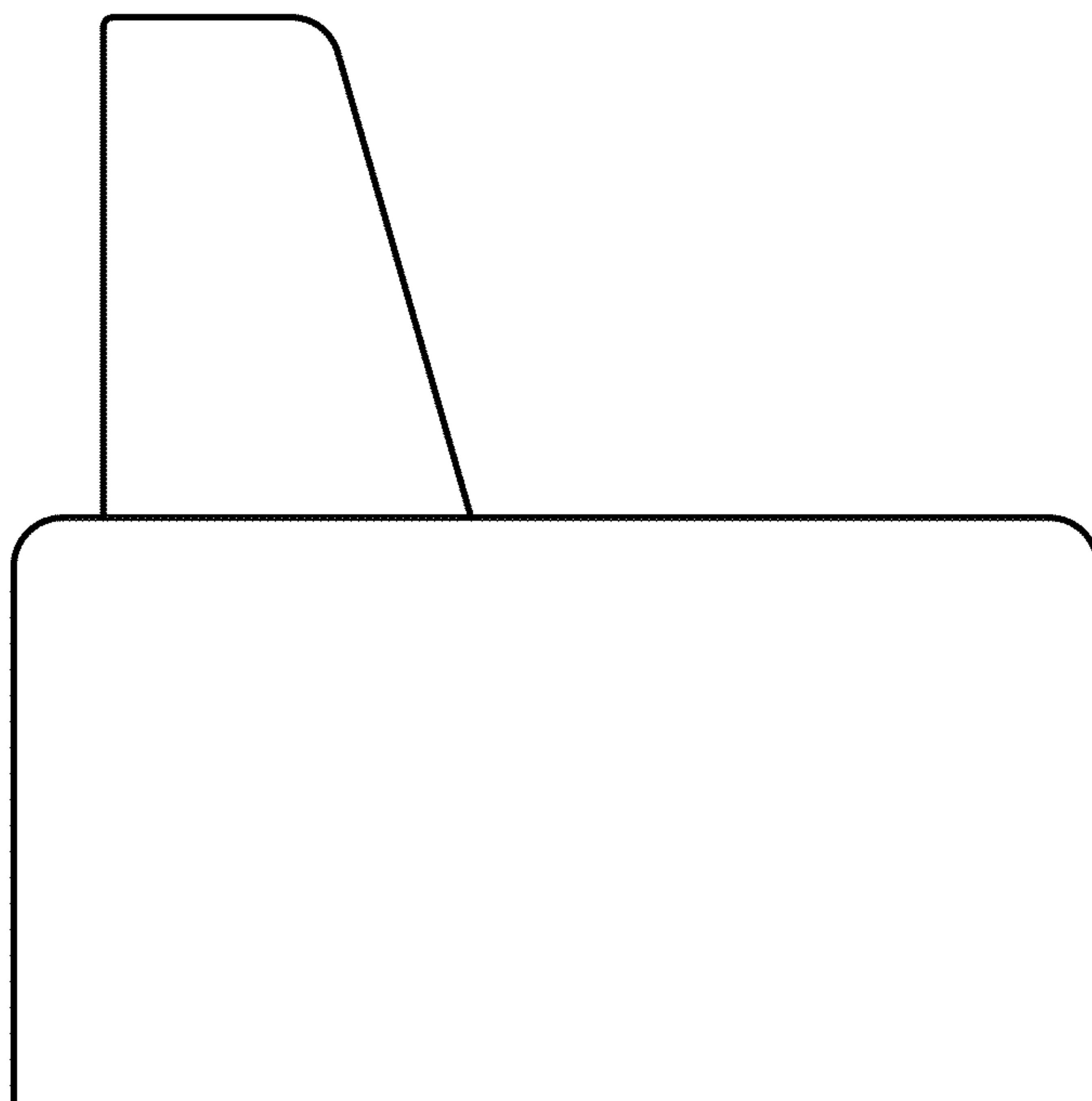


FIG. 5

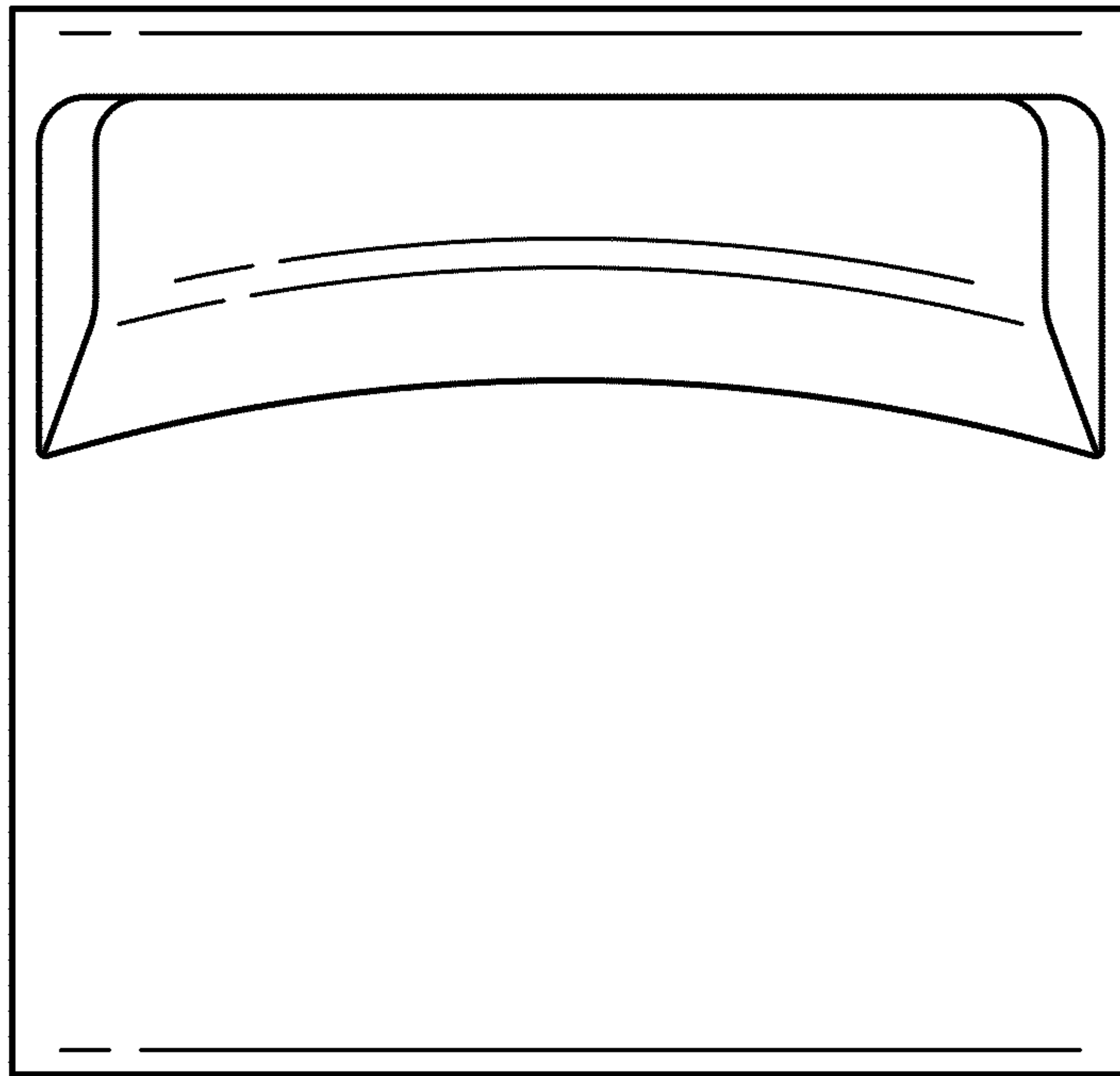


FIG. 6

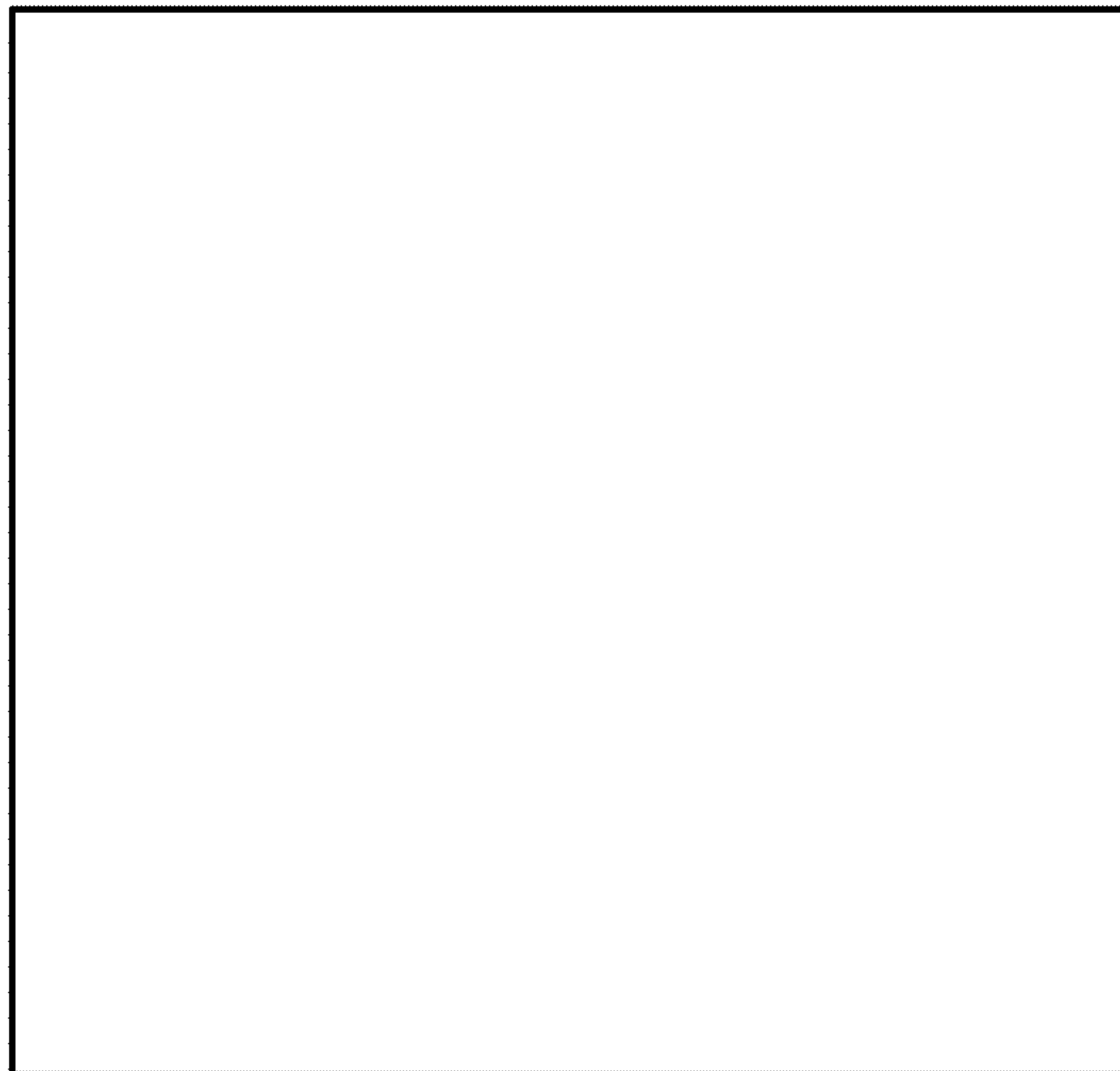


FIG. 7