



US00D704467S

(12) **United States Design Patent**
Cochran

(10) **Patent No.:** **US D704,467 S**

(45) **Date of Patent:** **** May 13, 2014**

(54) **WEDGEWOOD CHAIR**

(71) Applicant: **Gifford W. Cochran**, Bozeman, MT
(US)

(72) Inventor: **Gifford W. Cochran**, Bozeman, MT
(US)

(**) Term: **14 Years**

(21) Appl. No.: **29/466,524**

(22) Filed: **Sep. 9, 2013**

(51) **LOC (10) Cl.** **06-01**

(52) **U.S. Cl.**
USPC **D6/368**

(58) **Field of Classification Search**
USPC D6/334-336, 368, 371, 373, 374, 375,
D6/379, 380, 716, 716.1, 716.2, 716.3,
D6/716.4; 297/440.1, 440.13, 440.14,
297/440.15, 440.23

See application file for complete search history.

(56) **References Cited**

U.S. PATENT DOCUMENTS

210,500 A * 12/1878 Clough 297/440.15
D250,923 S * 1/1979 Eberle D6/379

D322,364 S * 12/1991 Smith D6/368
D336,168 S * 6/1993 Meeker D6/370
5,387,027 A * 2/1995 Maloney 297/440.13
D376,273 S * 12/1996 Keller D6/380
D410,343 S * 6/1999 Stead D6/380
D513,898 S * 1/2006 Frey D6/368
7,134,728 B1 * 11/2006 Buhrman 297/440.14
2012/0056463 A1 * 3/2012 Berent et al. 297/440.13

* cited by examiner

Primary Examiner — Mimoso De

(74) *Attorney, Agent, or Firm* — CIONCA Law Group P.C.;
Marin Cionca

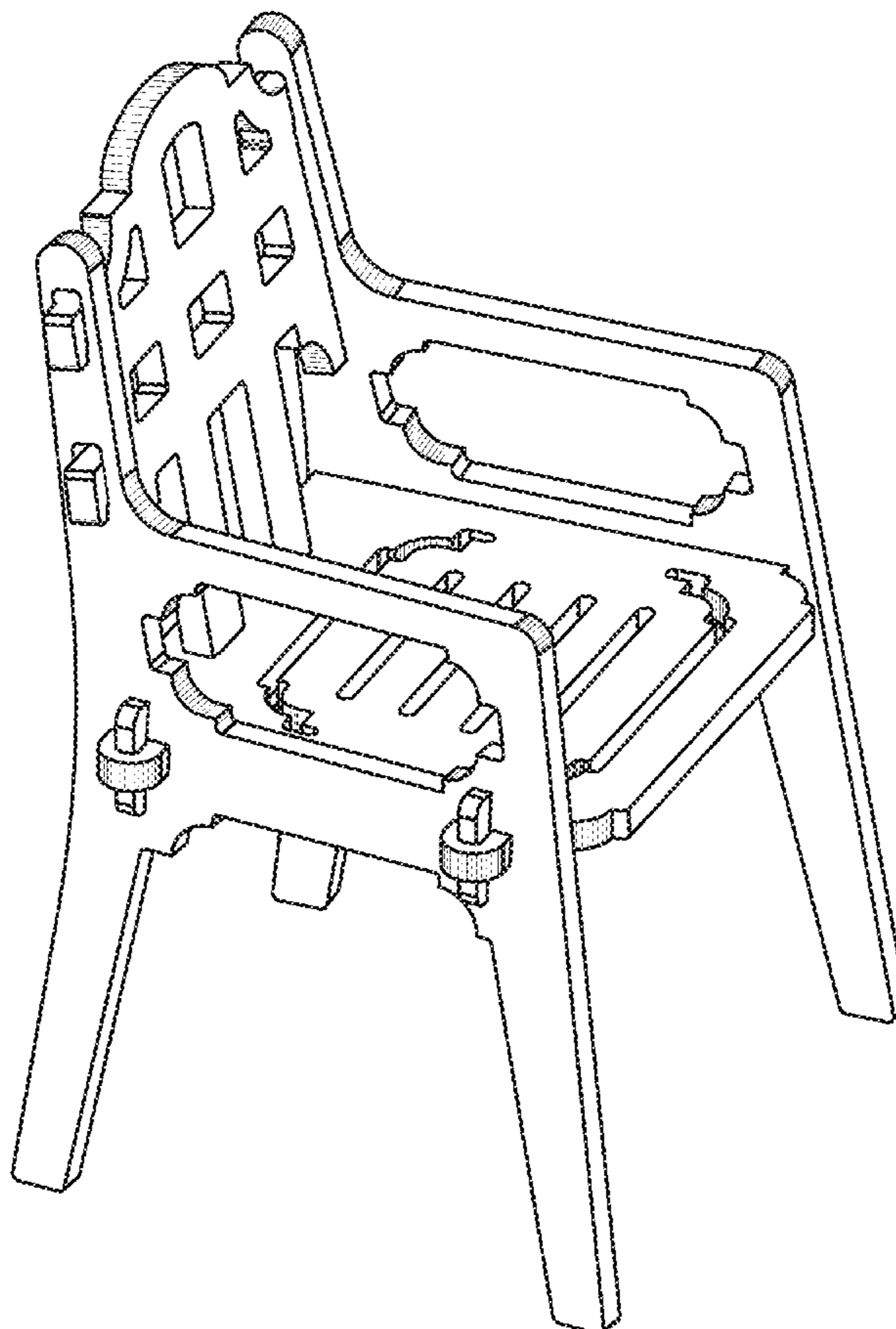
(57) **CLAIM**

The ornamental design for a wedgewood chair, substantially
as shown.

DESCRIPTION

FIG. 1 is an isometric view of the wedgewood chair showing
the new design;
FIG. 2 is a top view thereof;
FIG. 3 is a bottom view thereof;
FIG. 4 is a left side view thereof;
FIG. 5 is a right side view thereof;
FIG. 6 is a front view thereof; and,
FIG. 7 is a back view thereof.

1 Claim, 7 Drawing Sheets



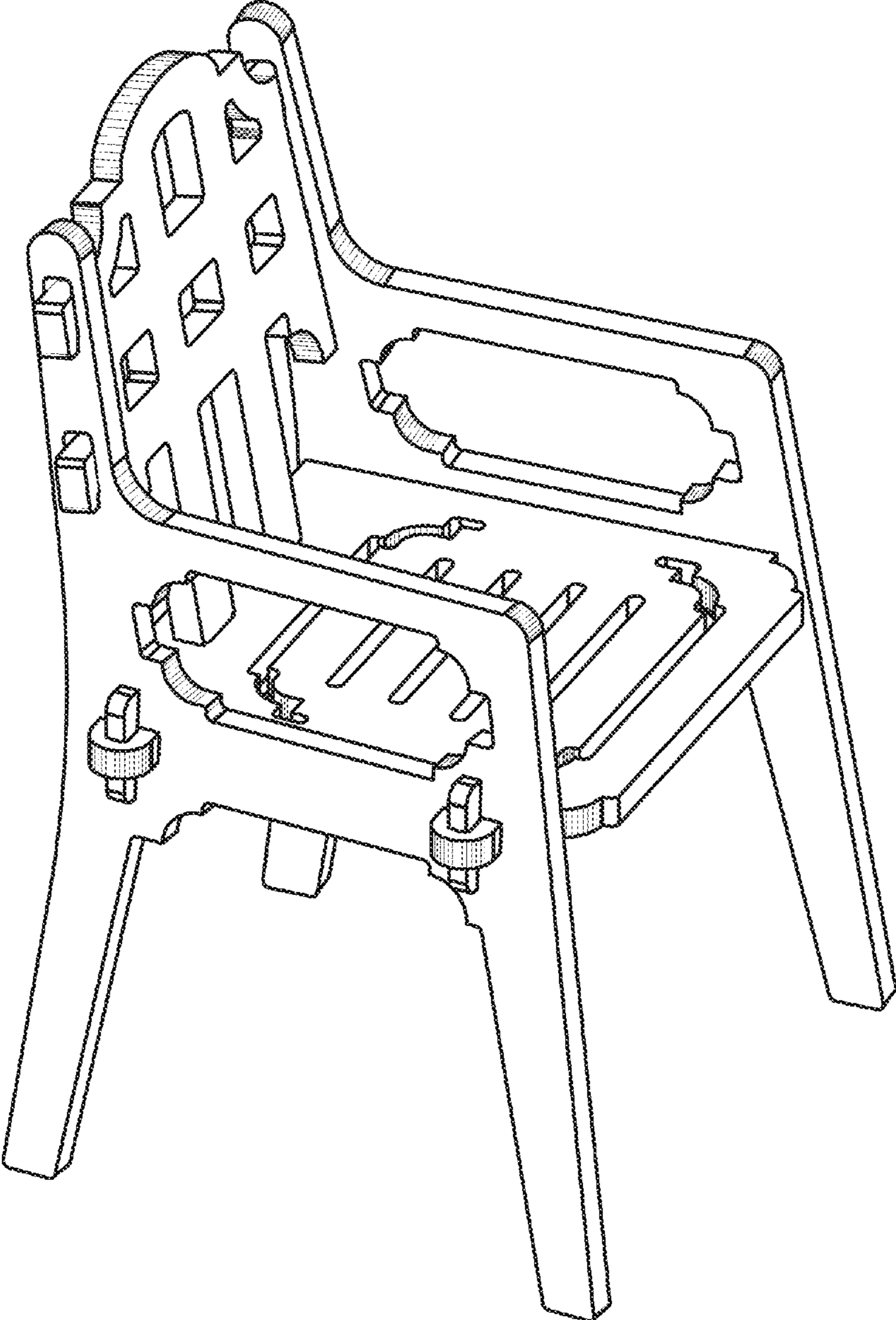


FIG. 1

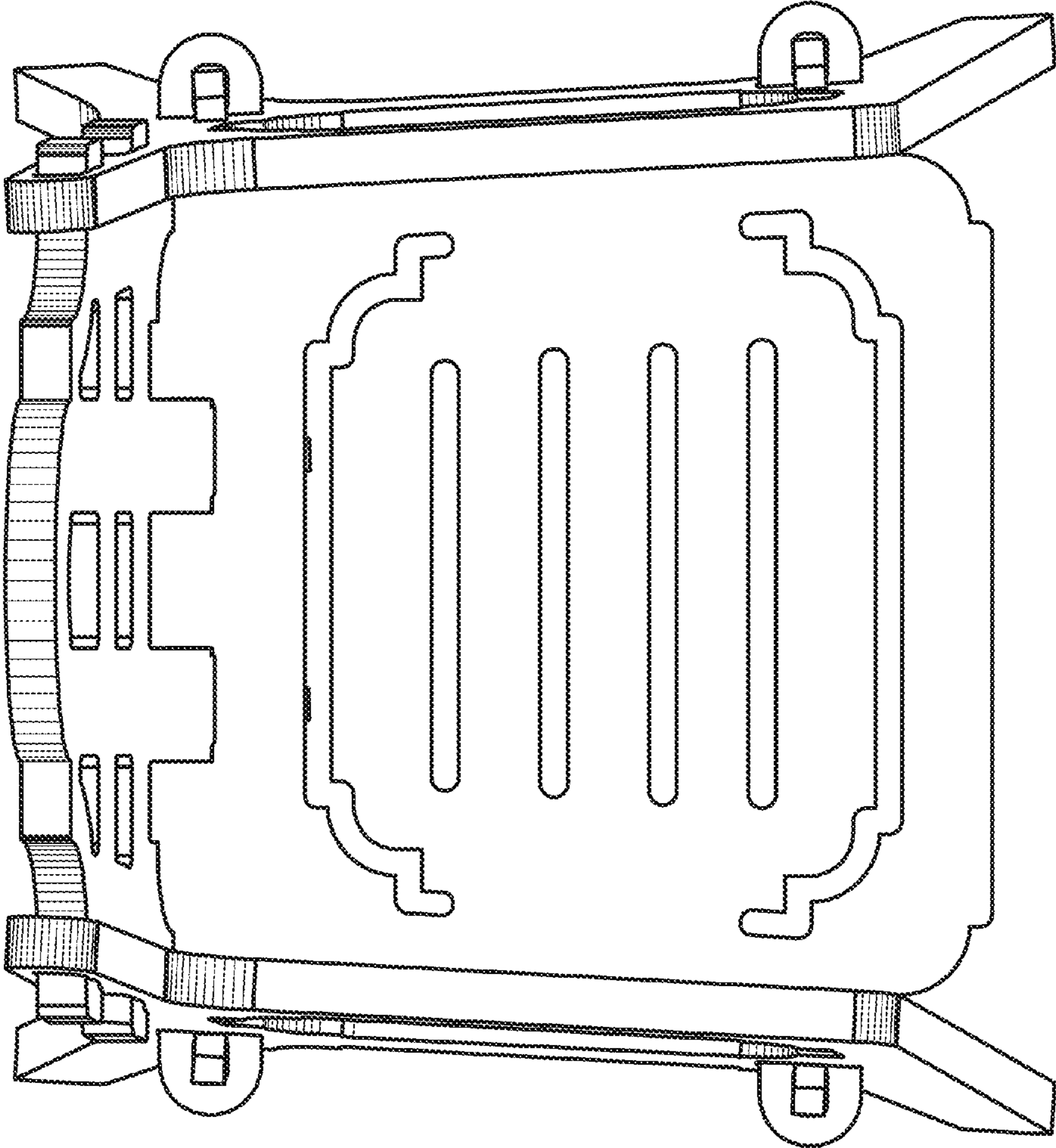


FIG. 2

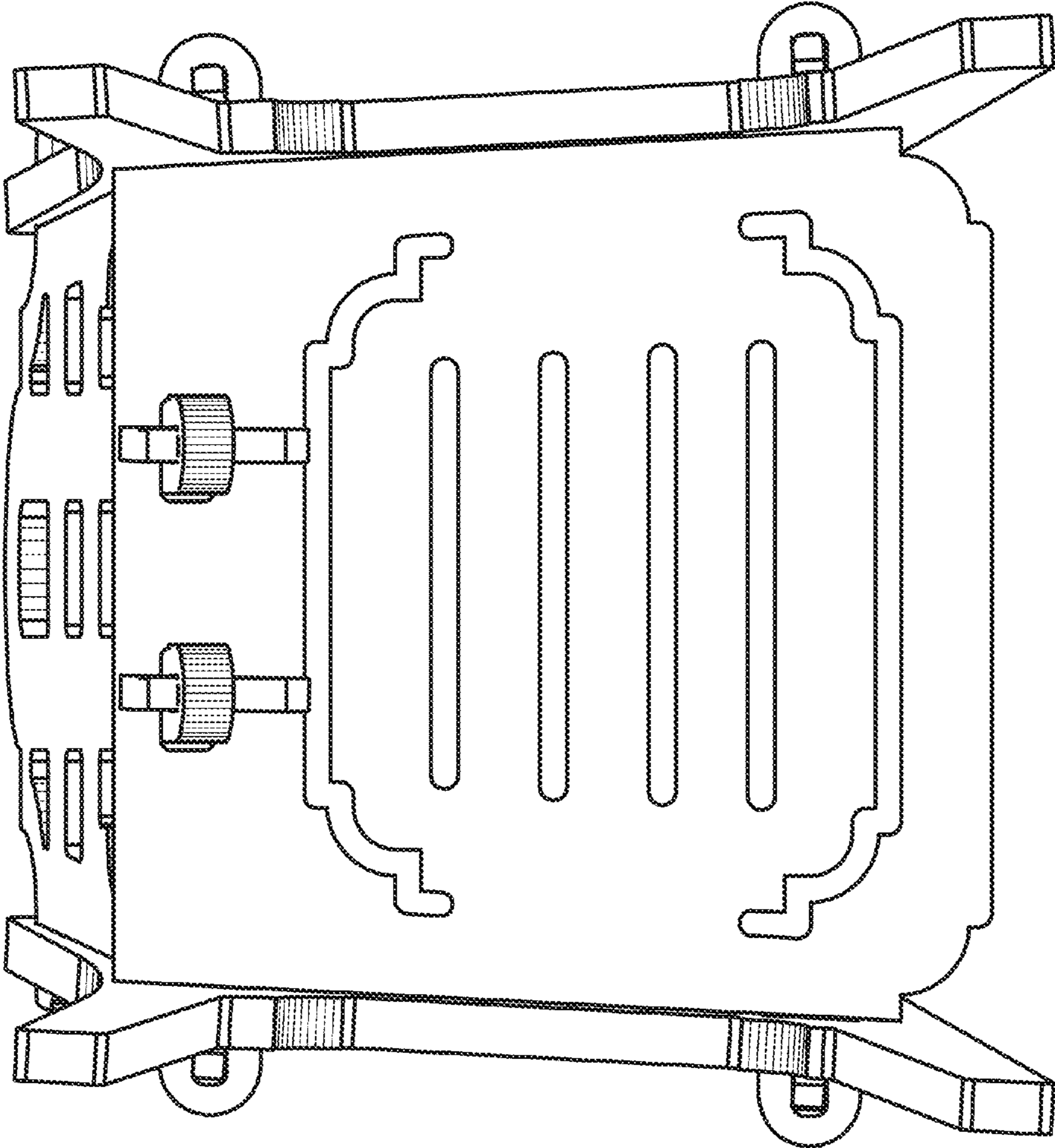


FIG. 3

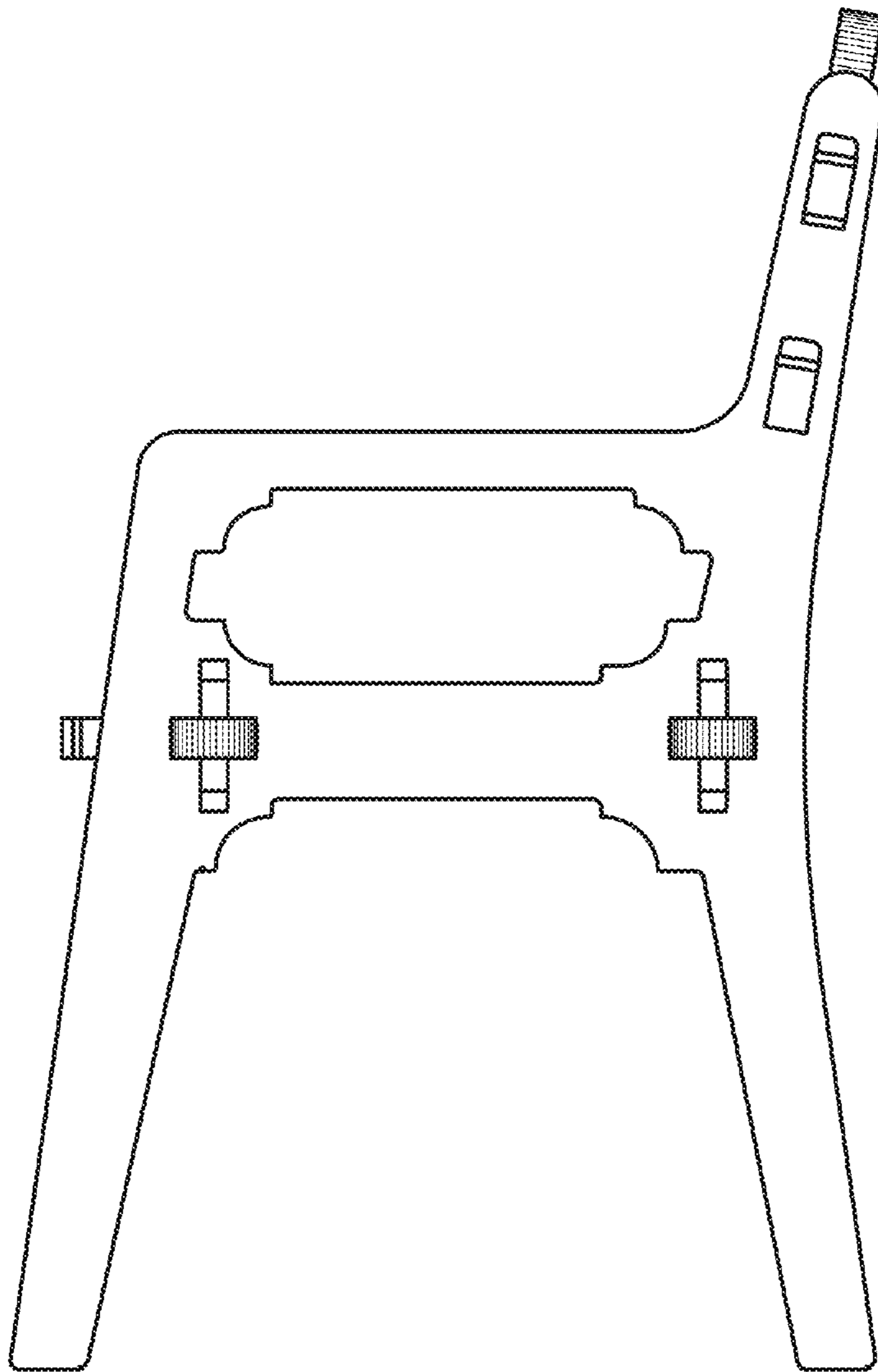


FIG. 4

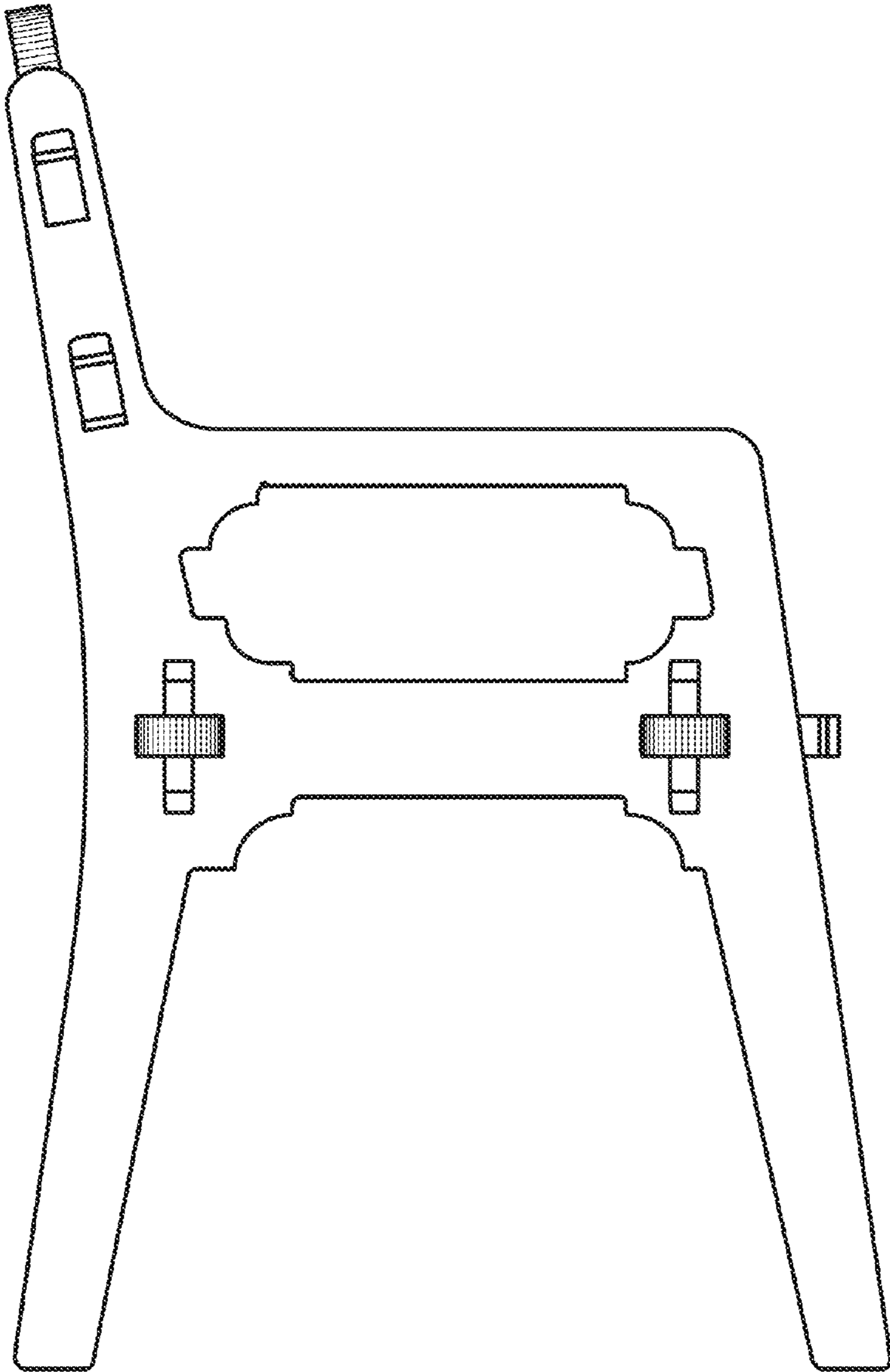


FIG. 5

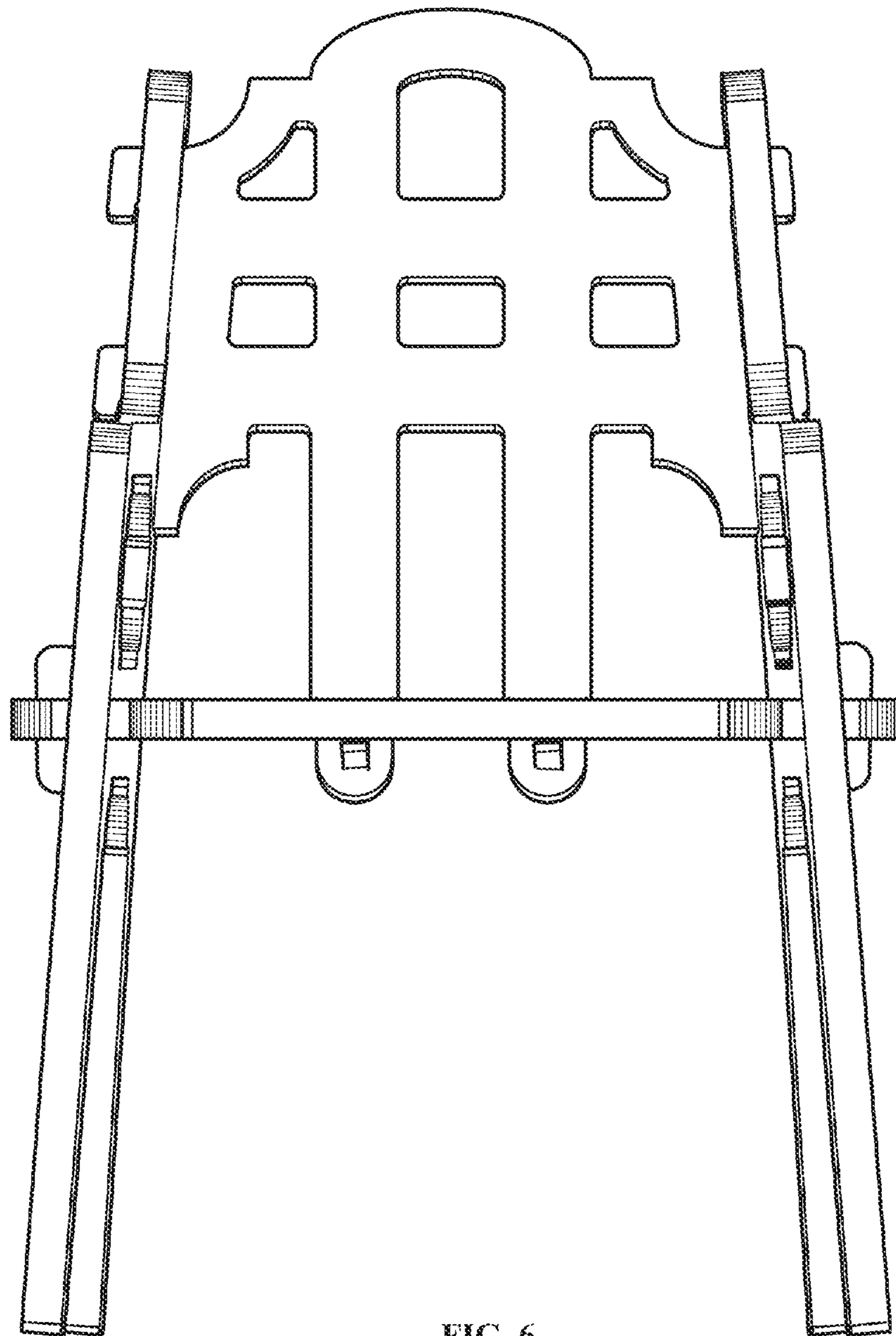


FIG. 6

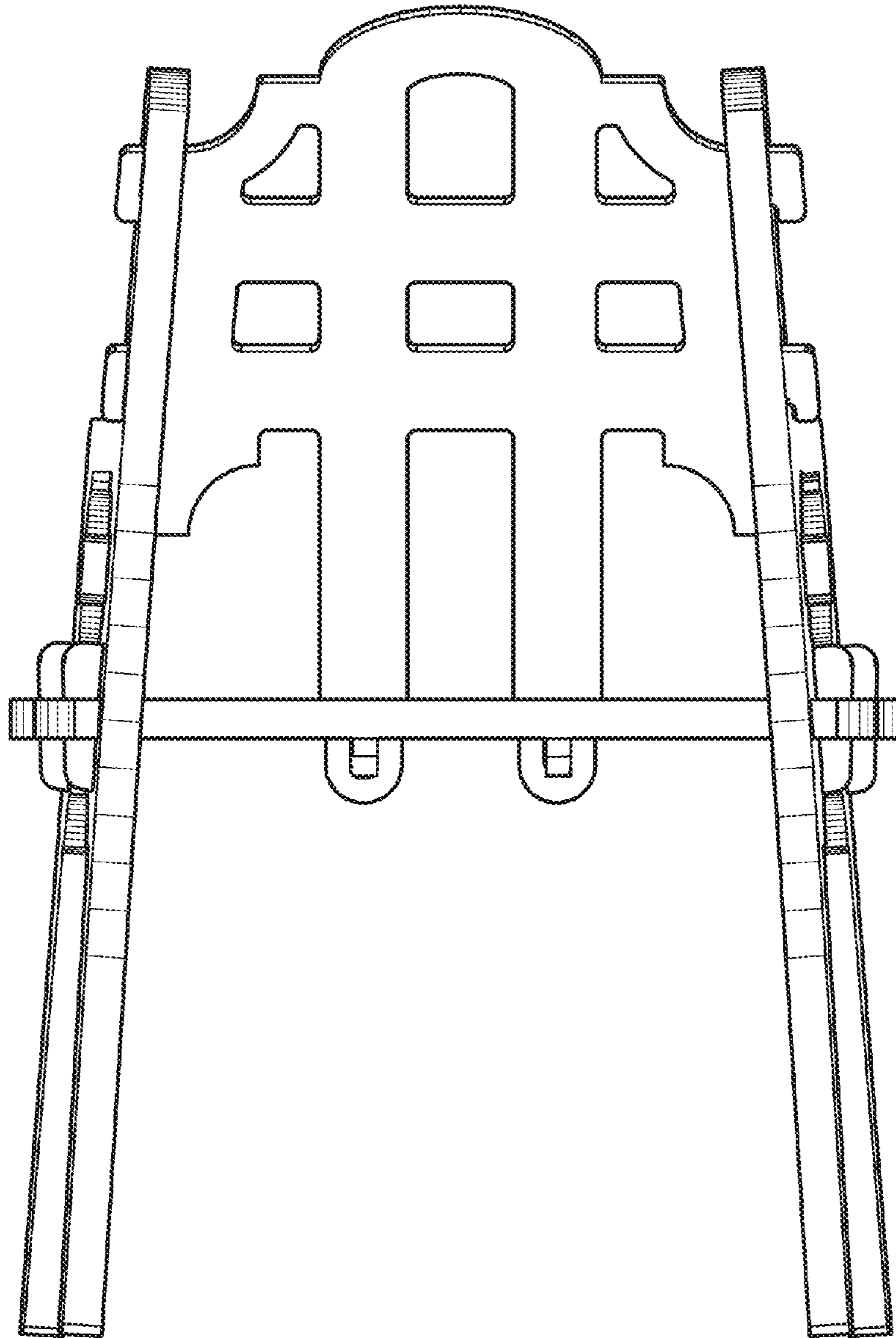


FIG. 7