



US00D704464S

(12) **United States Design Patent**
Mifsud

(10) **Patent No.:** **US D704,464 S**

(45) **Date of Patent:** **** May 13, 2014**

(54) **LOUNGE CHAIR**

(71) Applicant: **Gordon Mifsud**, Sliema (MT)

(72) Inventor: **Gordon Mifsud**, Sliema (MT)

(73) Assignee: **Idea Group International Ltd**, Sliema (MT)

(**) Term: **14 Years**

(21) Appl. No.: **29/461,998**

(22) Filed: **Jul. 30, 2013**

(51) **LOC (10) Cl.** **06-01**

(52) **U.S. Cl.**
USPC **D6/361; D6/370**

(58) **Field of Classification Search**
USPC D6/334–336, 361, 367, 368, 370, 716,
D6/716.1, 716.2, 716.3, 716.4; 297/423.2,
297/423.21, 423.27, 423.28, 423.36, 452.63
See application file for complete search history.

(56) **References Cited**

U.S. PATENT DOCUMENTS

1,715,118	A *	5/1929	Clark	297/423.27
D166,990	S *	6/1952	O'Neill	D6/361
2,600,374	A *	6/1952	O'Neill	297/31
2,626,653	A *	1/1953	Van Wyck	297/423.27
4,762,368	A *	8/1988	Schwartz et al.	297/448.1
D305,081	S *	12/1989	Grosfillex	D6/361

5,120,071	A *	6/1992	Thibault et al.	297/423.21
D443,149	S *	6/2001	Frinier	D6/361
D443,768	S *	6/2001	Vertongen	D6/361
D481,878	S *	11/2003	Engelen	D6/361
D509,970	S *	9/2005	Adams	D6/368
8,333,430	B2 *	12/2012	Adams et al.	297/452.63
8,528,979	B2 *	9/2013	College	297/452.63

* cited by examiner

Primary Examiner — Mimoso De

(74) *Attorney, Agent, or Firm* — Themis Law

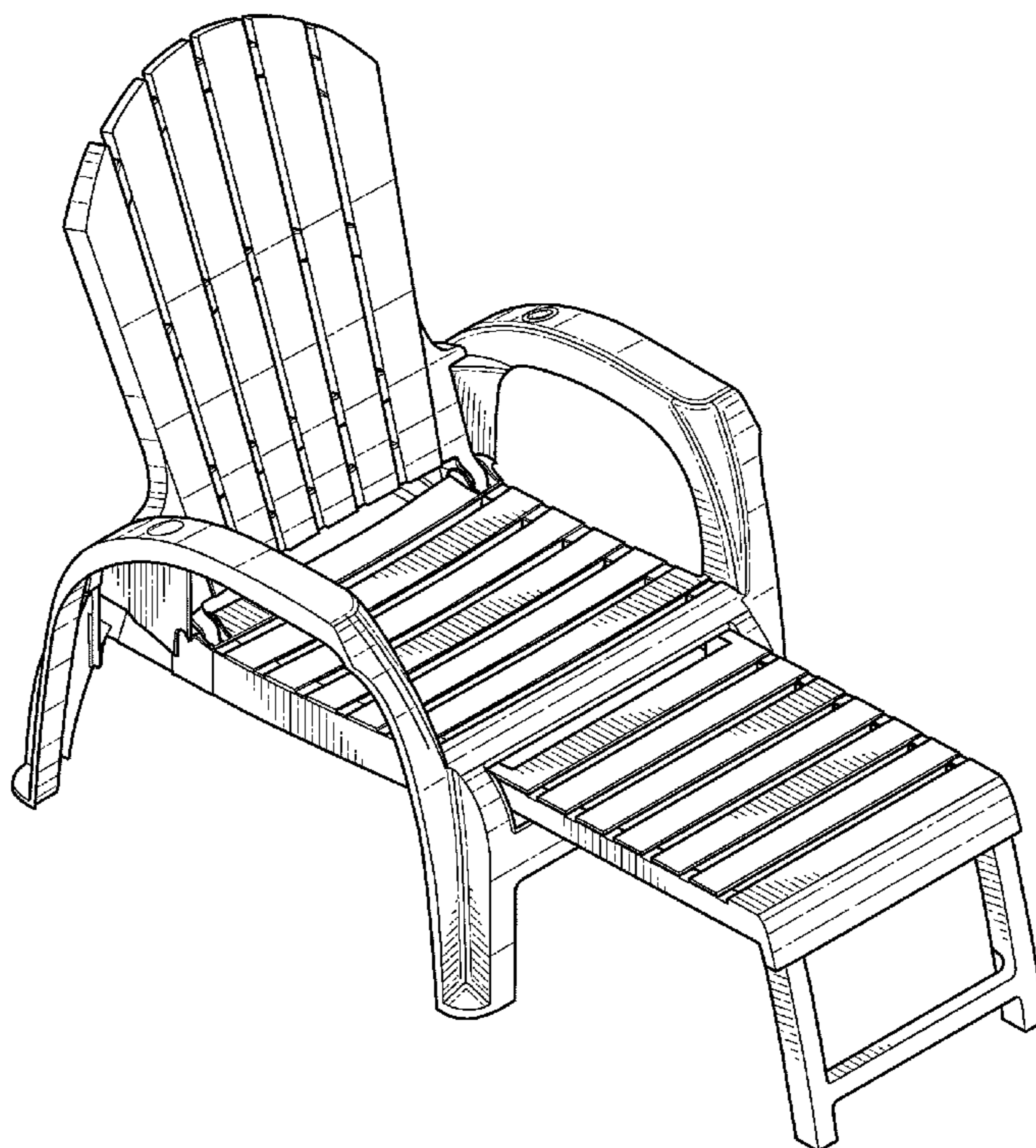
(57) **CLAIM**

The ornamental design for a lounge chair, as shown and described.

DESCRIPTION

FIG. 1 is a front perspective view of the lounge chair with the extendible seat portion in retracted position and the folding back portion in folded-up position showing my new design; FIG. 2 is a front perspective view of the lounge chair of FIG. 1 with the extendible seat portion in extended position and the folding back portion in folded-up position; FIG. 3 is a side perspective view of the lounge chair of FIG. 2 with the folding back portion in folded-down position; FIG. 4 is a rear perspective view of the lounge chair of FIG. 2; FIG. 5 is a left elevational view of the lounge chair of FIG. 2, the right elevational view being a mirror image; FIG. 6 is a top plan view of the lounge chair of FIG. 2; and, FIG. 7 is a front elevational view of the lounge chair of FIG. 2.

1 Claim, 7 Drawing Sheets



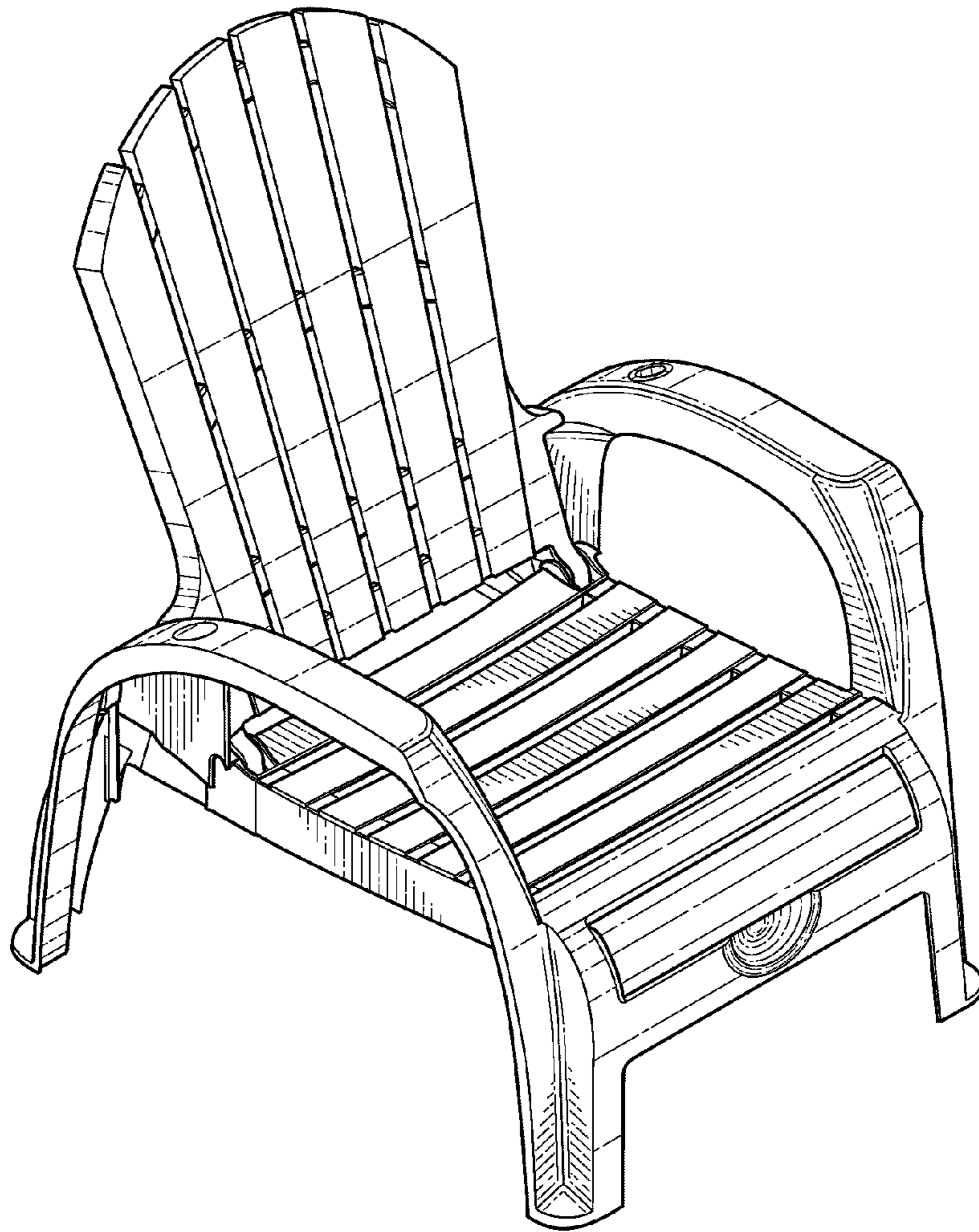


FIG. 1

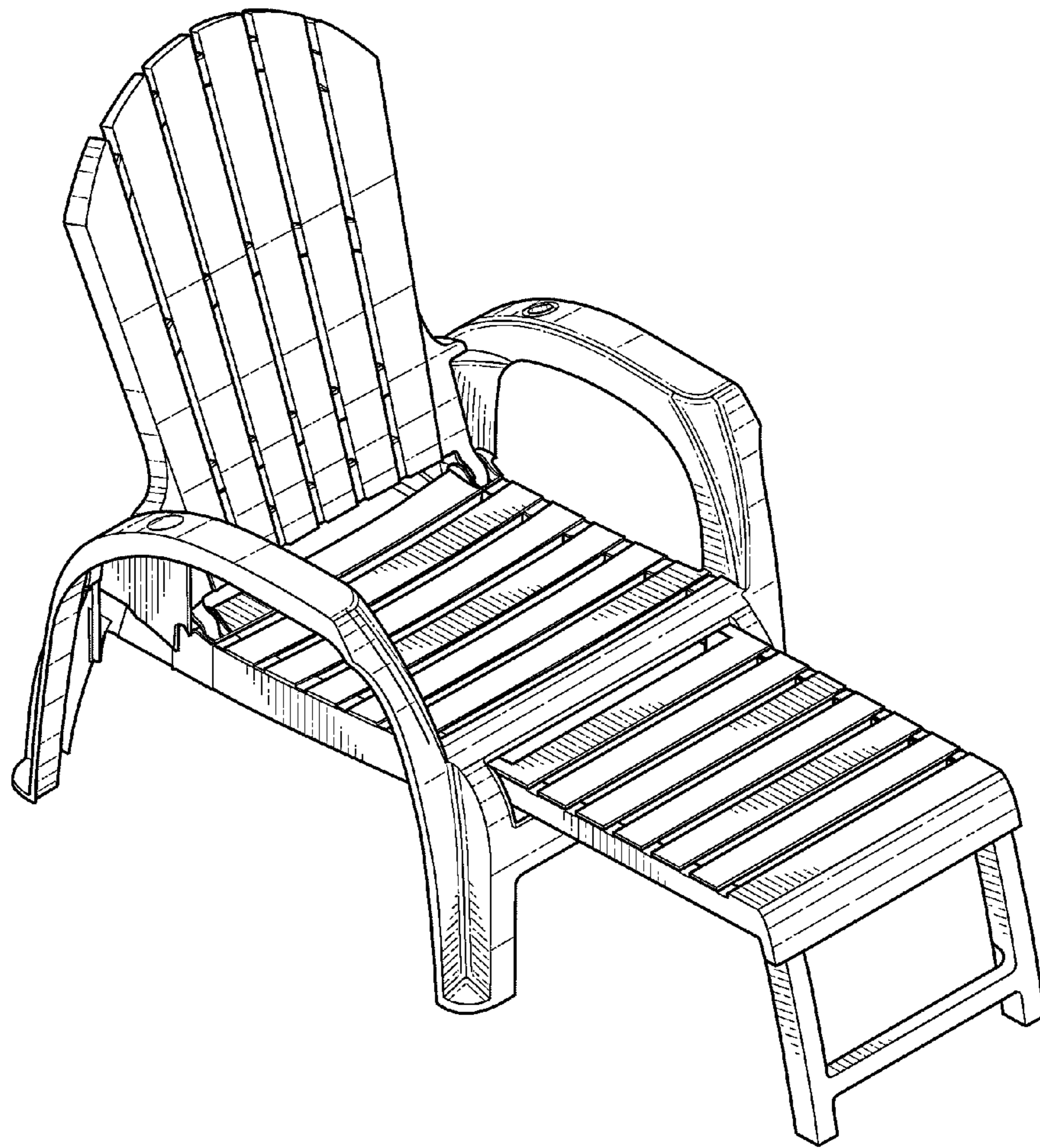


FIG. 2

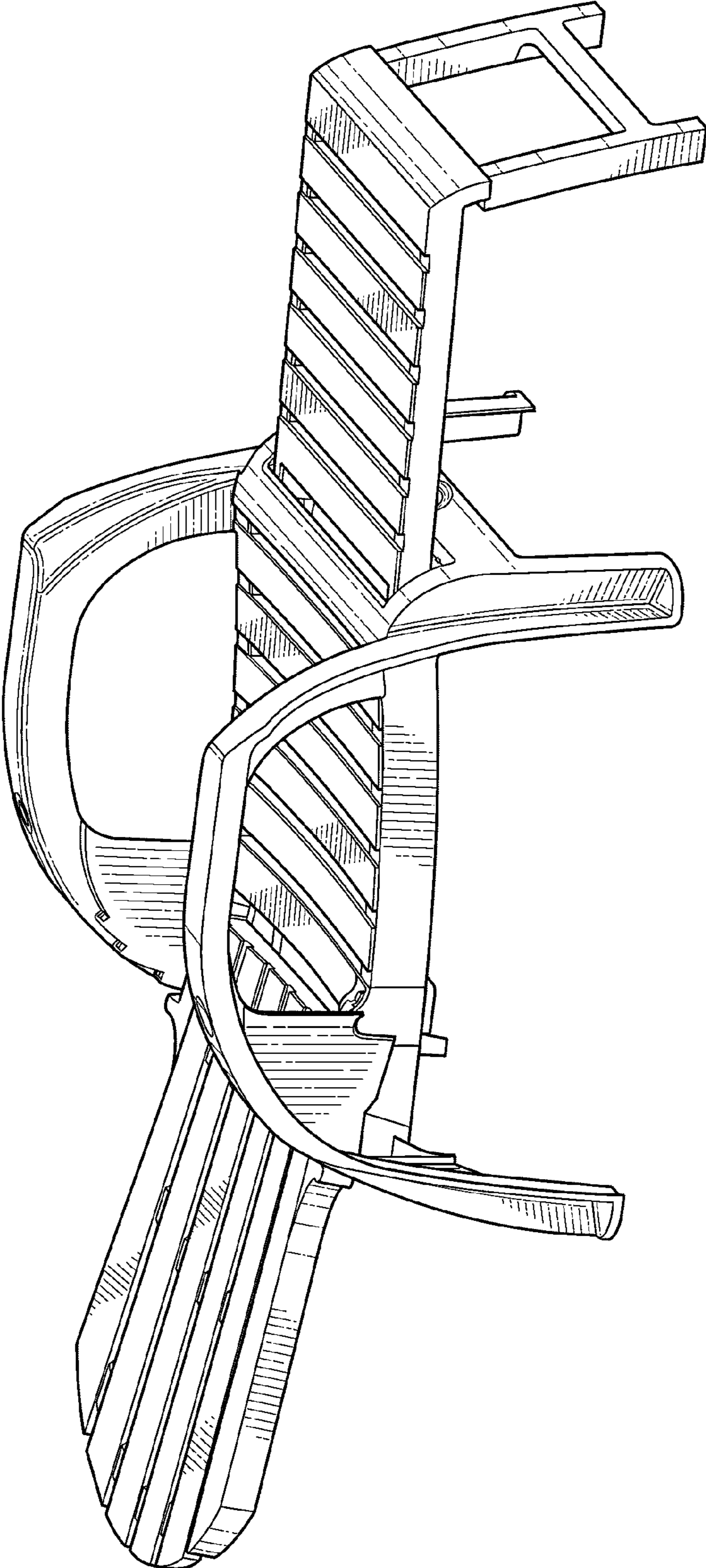


FIG. 3

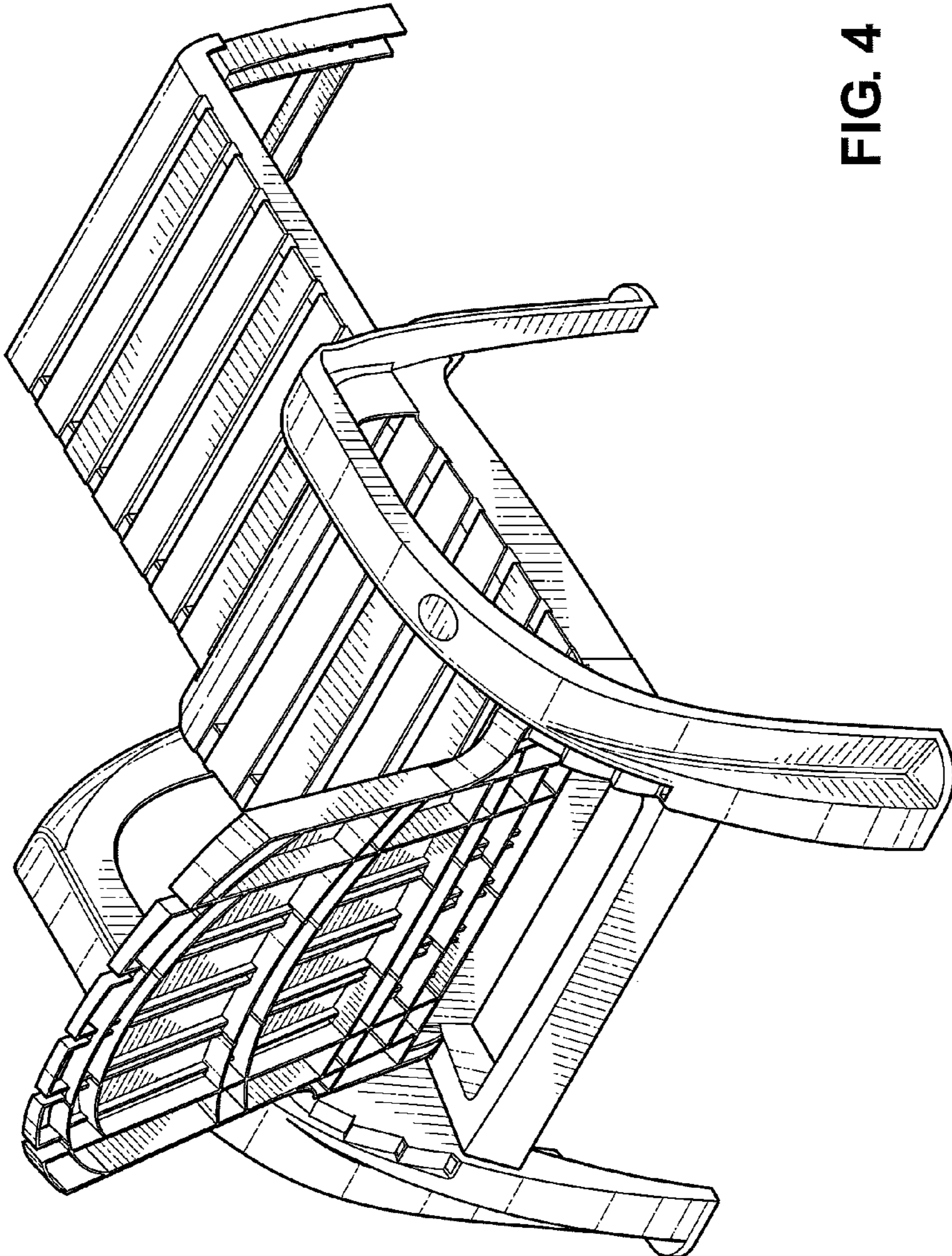


FIG. 4

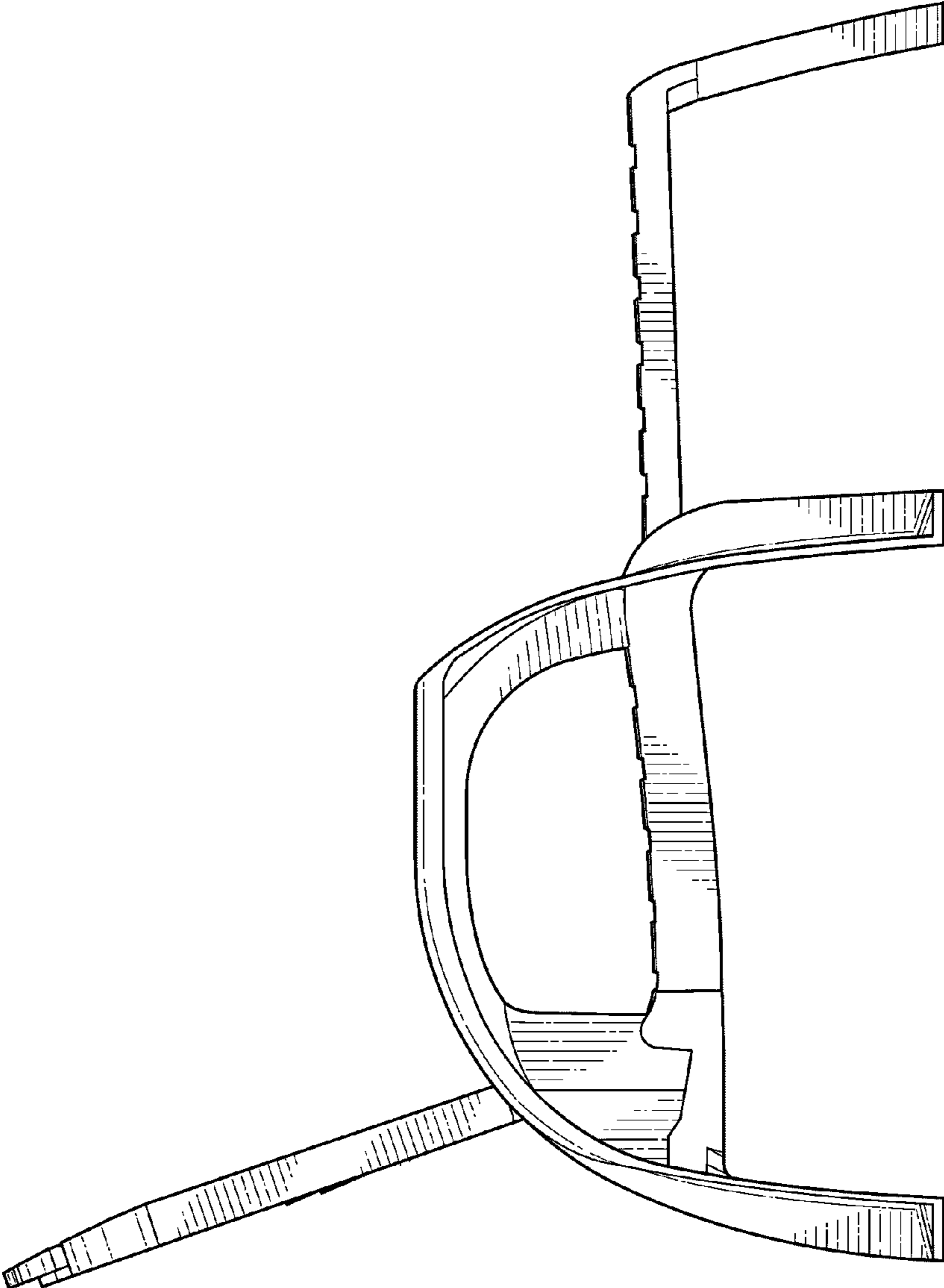


FIG. 5

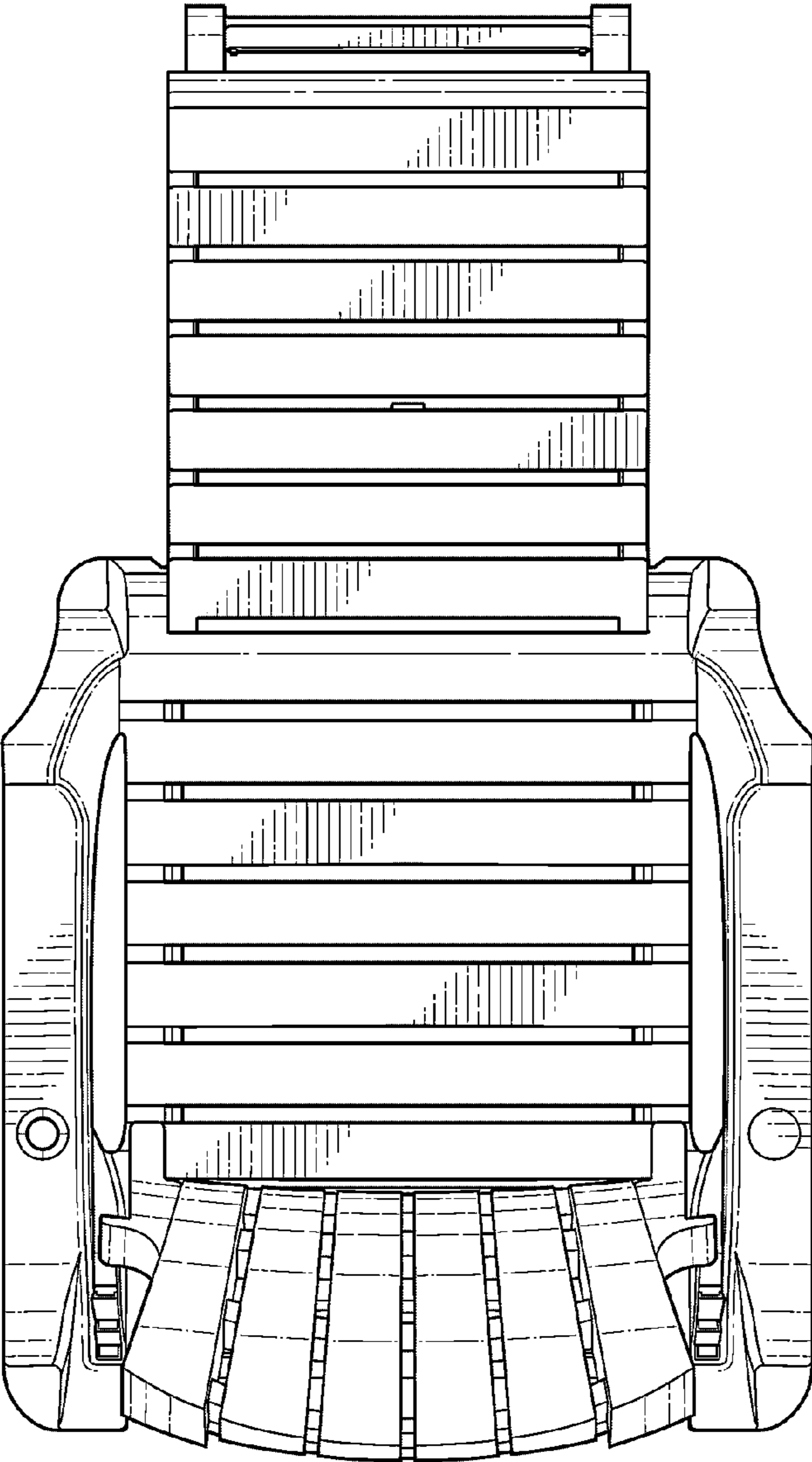


FIG. 6

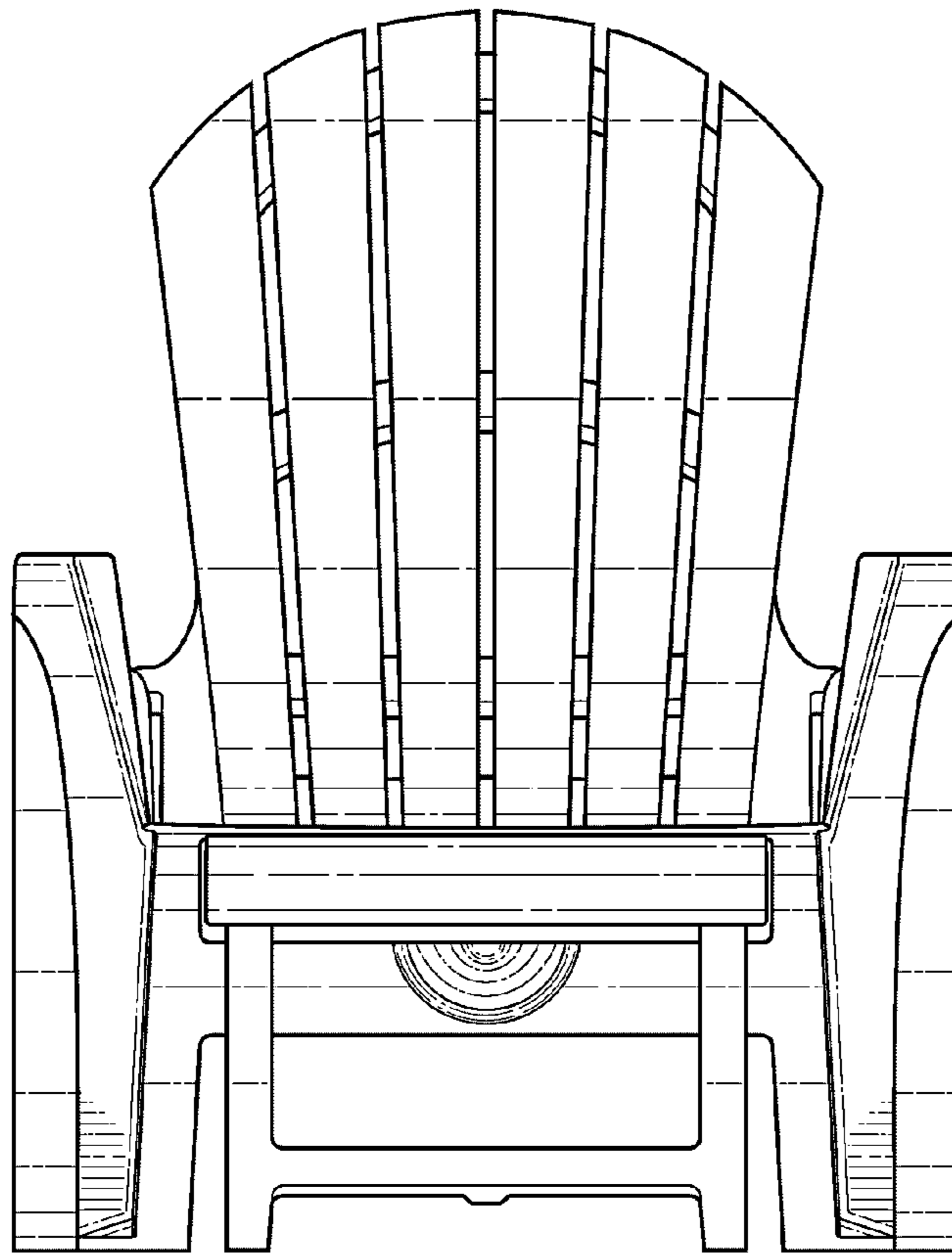


FIG. 7