



US00D704462S

(12) **United States Design Patent**
Orlandini et al.

(10) **Patent No.:** **US D704,462 S**

(45) **Date of Patent:** **** May 13, 2014**

(54) **SEAT**

(71) Applicant: **Domitalia S.p.A.**, San Giovanni al Natisone (IT)

(72) Inventors: **Folco Orlandini**, Sedriano (IT); **Andrea Radice**, Rho (IT)

(73) Assignee: **Domitalia S.p.A.**, San Giovanni al Natisone (Udine) (IT)

(**) Term: **14 Years**

(21) Appl. No.: **29/454,740**

(22) Filed: **May 14, 2013**

(51) **LOC (10) Cl.** **06-01**

(52) **U.S. Cl.**
USPC **D6/349**

(58) **Field of Classification Search**
CPC A47C 3/18-3/20; A47C 5/02; A47C 9/00;
A47C 11/00; A47C 13/00; A47C 9/06;
A47C 7/16
USPC D6/330, 337, 341, 346, 349-355, 357,
D6/362, 364-373, 376, 377, 381, 645, 656,
D6/658, 665, 674, 675.5, 676, 685-692,
D6/694, 704, 705, 707, 707.19, 708,
D6/716.1-716.6, 717, 717.2; 297/423.12,
297/423.13, 423.37, 461, 462, 115, 116,
297/135, 160-162

See application file for complete search history.

(56) **References Cited**

U.S. PATENT DOCUMENTS

D226,417 S *	3/1973	Duern et al.	D6/485
D232,877 S *	9/1974	Kephart	D6/397
D234,476 S *	3/1975	Rosen	D6/352
D335,034 S *	4/1993	Herman	D6/360
D396,565 S *	8/1998	Gager et al.	D6/349
D399,066 S *	10/1998	Malatesta	D6/349
D410,798 S *	6/1999	Geier et al.	D6/360
D579,676 S *	11/2008	Rheault et al.	D6/349
D590,632 S *	4/2009	Zak et al.	D6/441
7,722,123 B2 *	5/2010	Holland	297/440.1
D660,028 S *	5/2012	Rode	D6/360
D668,069 S *	10/2012	Shokouhi	D6/349
D691,382 S *	10/2013	Meulendijks	D6/352

* cited by examiner

Primary Examiner — Susan Bennett Hattan

Assistant Examiner — Vy Koenig

(74) *Attorney, Agent, or Firm* — Themis Law

(57) **CLAIM**

The ornamental design for a seat, as shown.

DESCRIPTION

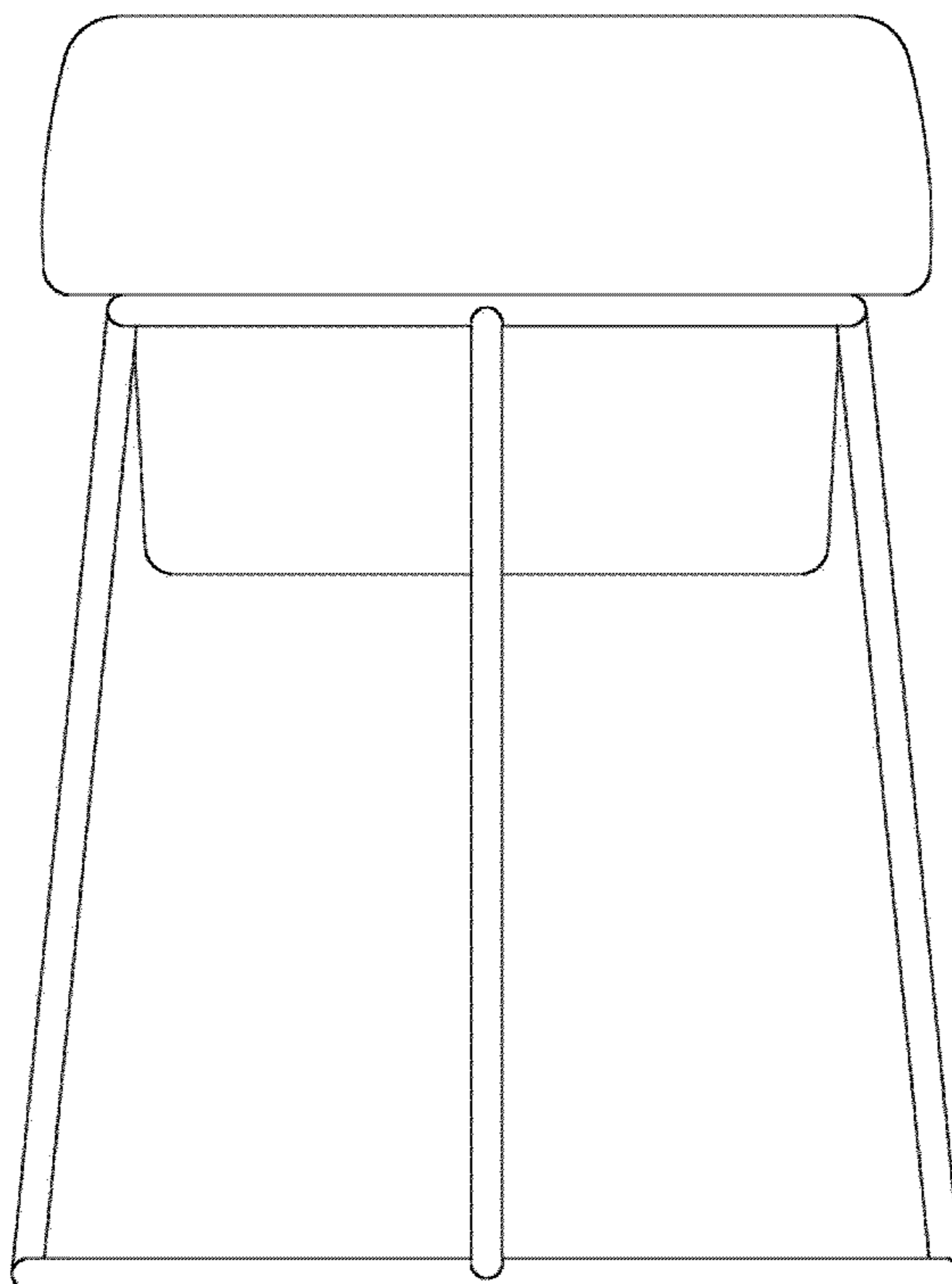
FIG. 1 is a front elevational view of a seat showing our new design;

FIG. 2 is a perspective thereof;

FIG. 3 is a top plan view thereof; and,

FIG. 4 is a bottom plan view thereof.

1 Claim, 4 Drawing Sheets



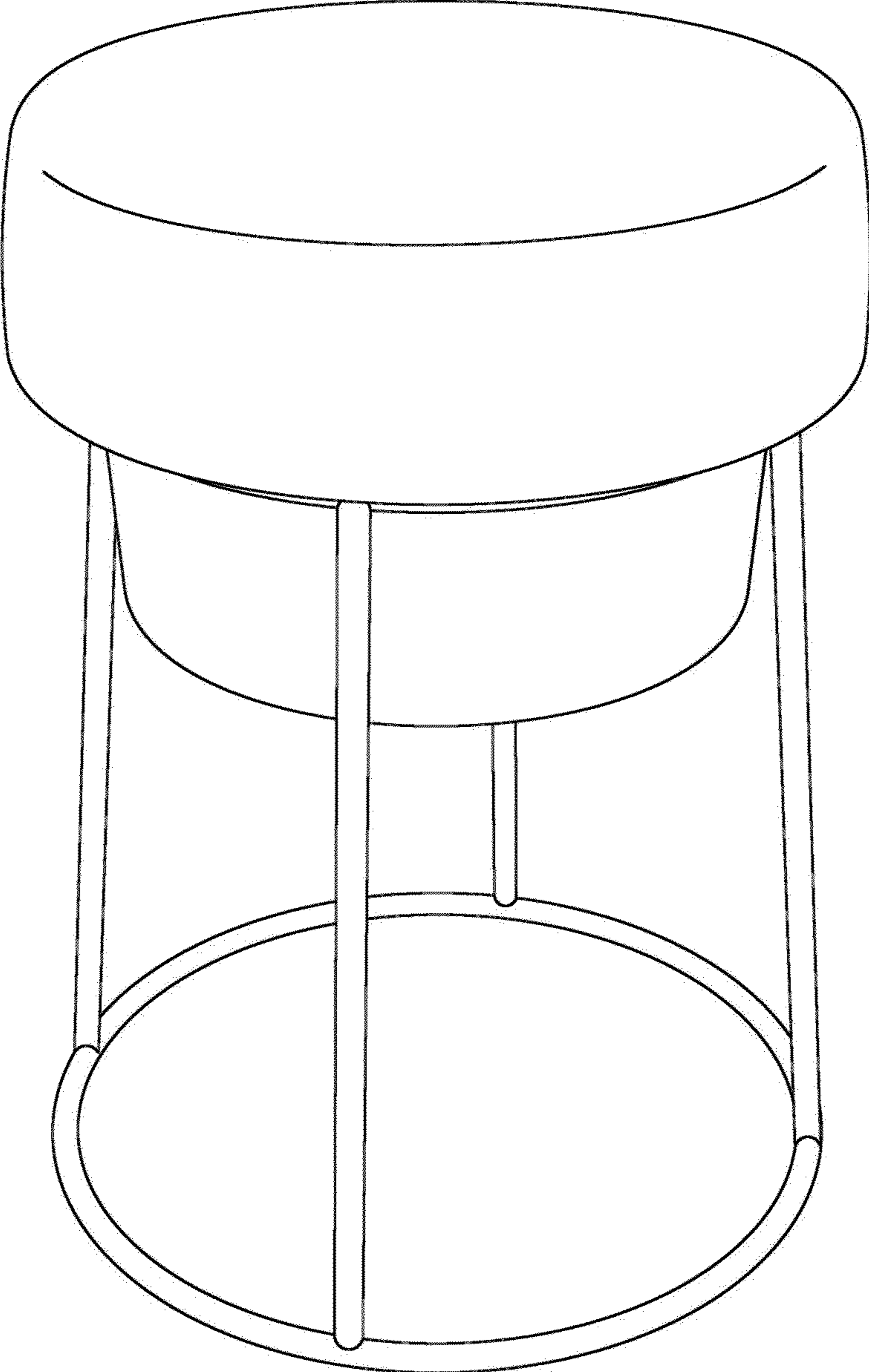


FIG. 1

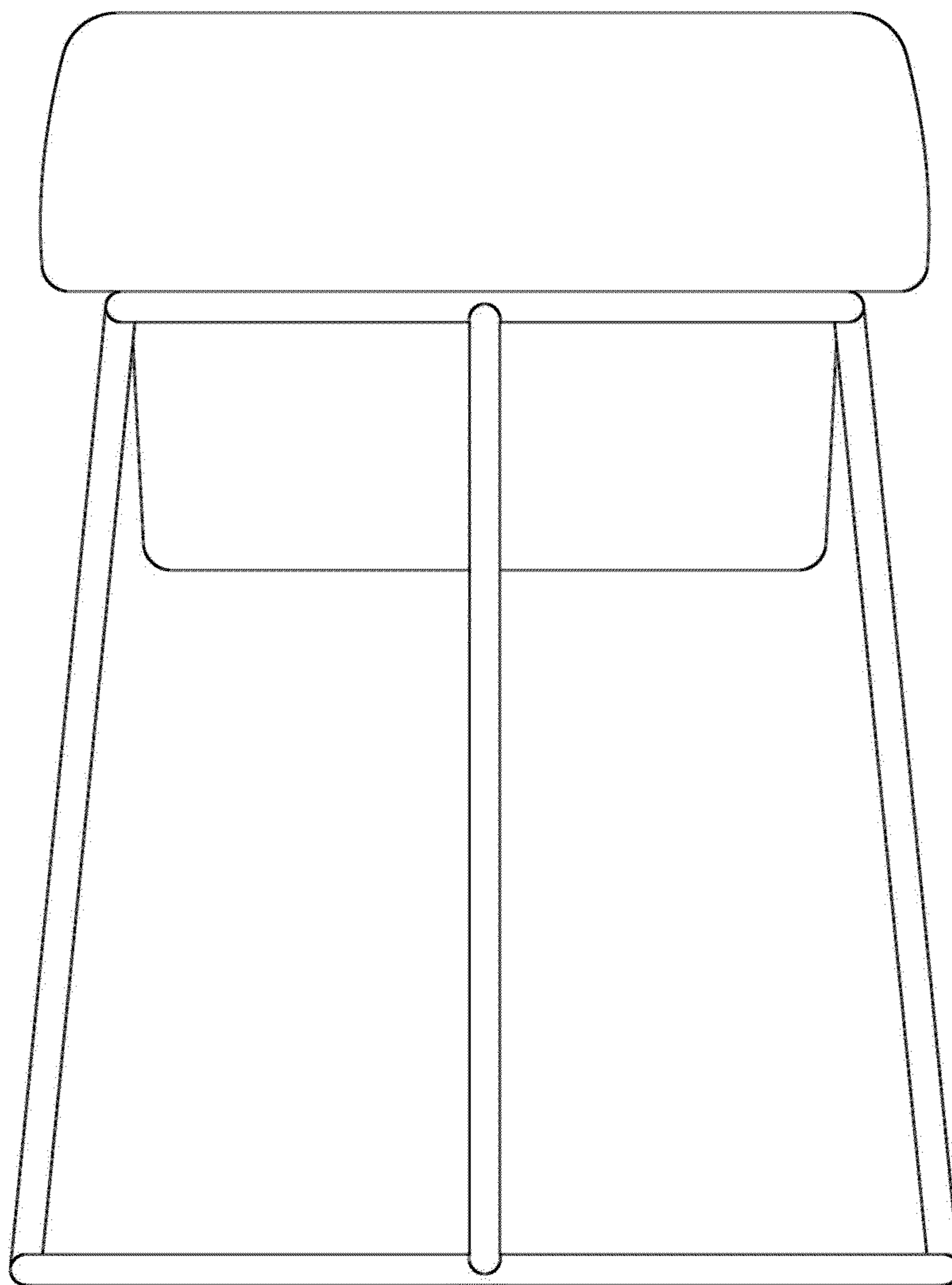


FIG. 2

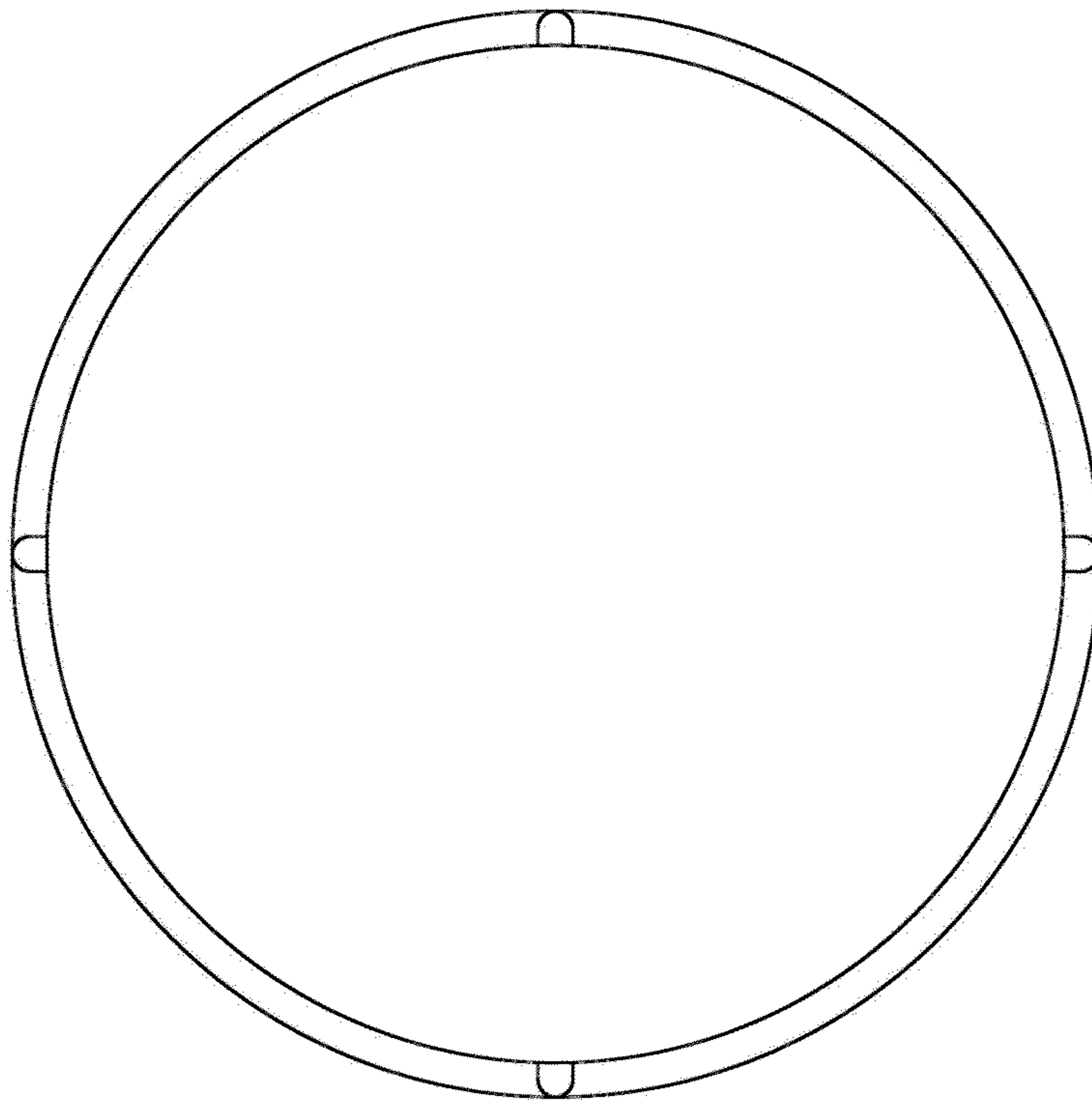


FIG. 3

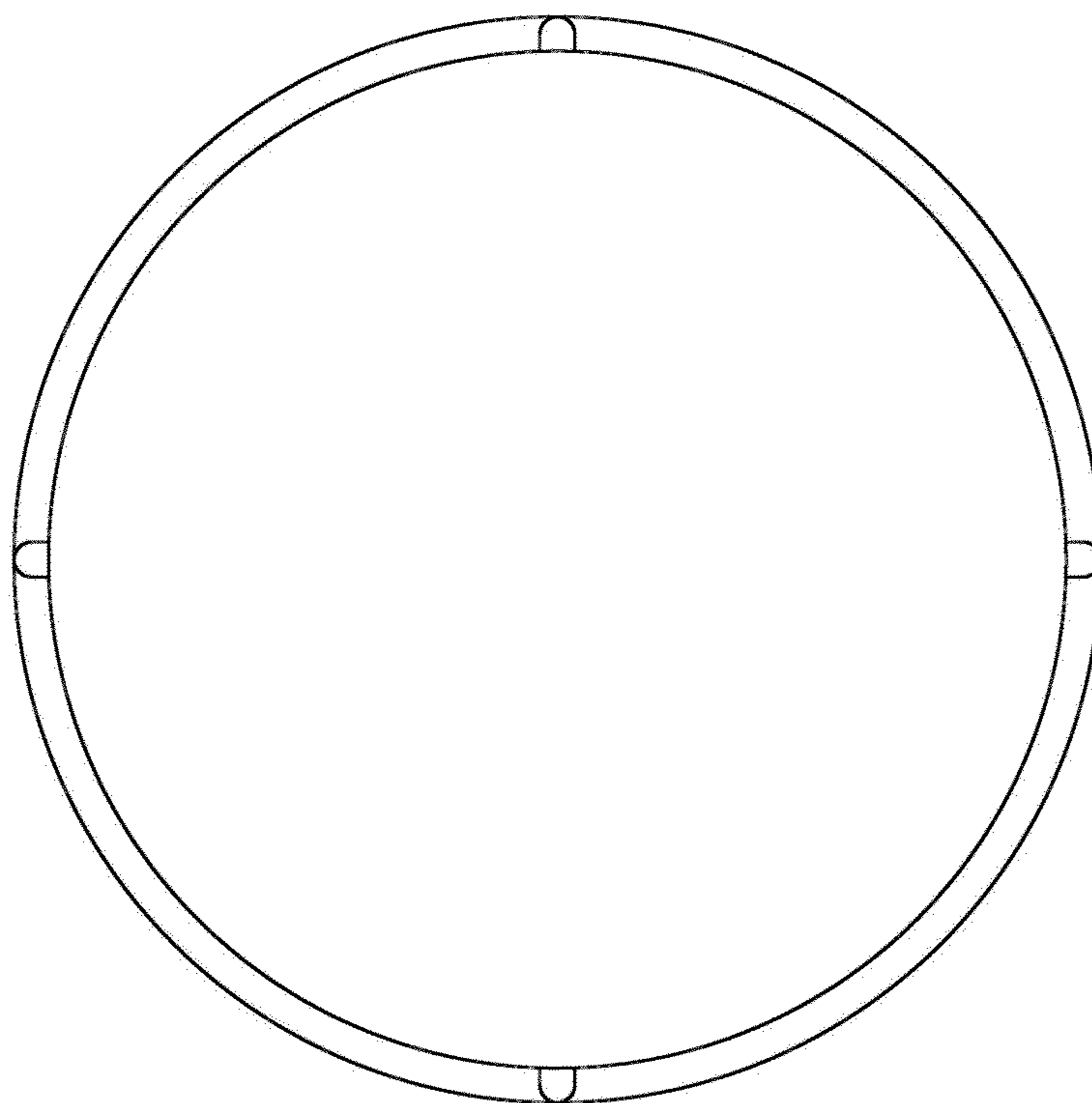


FIG. 4