



US00D704460S

(12) **United States Design Patent**
Maurer et al.

(10) **Patent No.:** **US D704,460 S**

(45) **Date of Patent:** **** May 13, 2014**

(54) **HIGH CHAIR ASSEMBLY**

(71) Applicants: **Bernard J. Maurer**, Weston, MA (US);
Erin Quant Riddell, Bay Village, OH
(US)

(72) Inventors: **Bernard J. Maurer**, Weston, MA (US);
Erin Quant Riddell, Bay Village, OH
(US)

(**) Term: **14 Years**

(21) Appl. No.: **29/469,546**

(22) Filed: **Oct. 11, 2013**

(51) **LOC (10) Cl.** **06-01**

(52) **U.S. Cl.**
USPC **D6/339**

(58) **Field of Classification Search**
USPC D6/334-336, 338-339, 491, 333, 716,
D6/716.1-716.7; D12/129; D21/412, 419;
280/30-31; 5/94, 98.1, 99.1, 101, 105,
5/655; 297/183.1-183.4, 184.13, 184.15,
297/184.17, 250.1, 256.1, 255, 256.15,
297/256.16, 174 R, 174 CS, 170-173, 136,
297/148, 27, 61, 68; 4/572.1

See application file for complete search history.

(56) **References Cited**

U.S. PATENT DOCUMENTS

D337,665 S *	7/1993	Tsuchiya	D6/339
D454,007 S *	3/2002	Huang	D6/339
D575,538 S *	8/2008	Tomasi	D6/339
D594,667 S *	6/2009	Wang	D6/339
D618,925 S *	7/2010	Fiore et al.	D6/339
D619,817 S *	7/2010	Gower et al.	D6/339
D651,816 S *	1/2012	Shi	D6/339

* cited by examiner

Primary Examiner — Caron D Veynar

Assistant Examiner — Abraham Bahta

(74) *Attorney, Agent, or Firm* — Sand & Sebolt

(57) **CLAIM**

The ornamental design for a high chair assembly, as shown and described.

DESCRIPTION

FIG. 1 is an isometric perspective view of the high chair assembly in accordance with our design;

FIG. 2 is a front view thereof;

FIG. 3 is a back view thereof;

FIG. 4 is a right side view thereof;

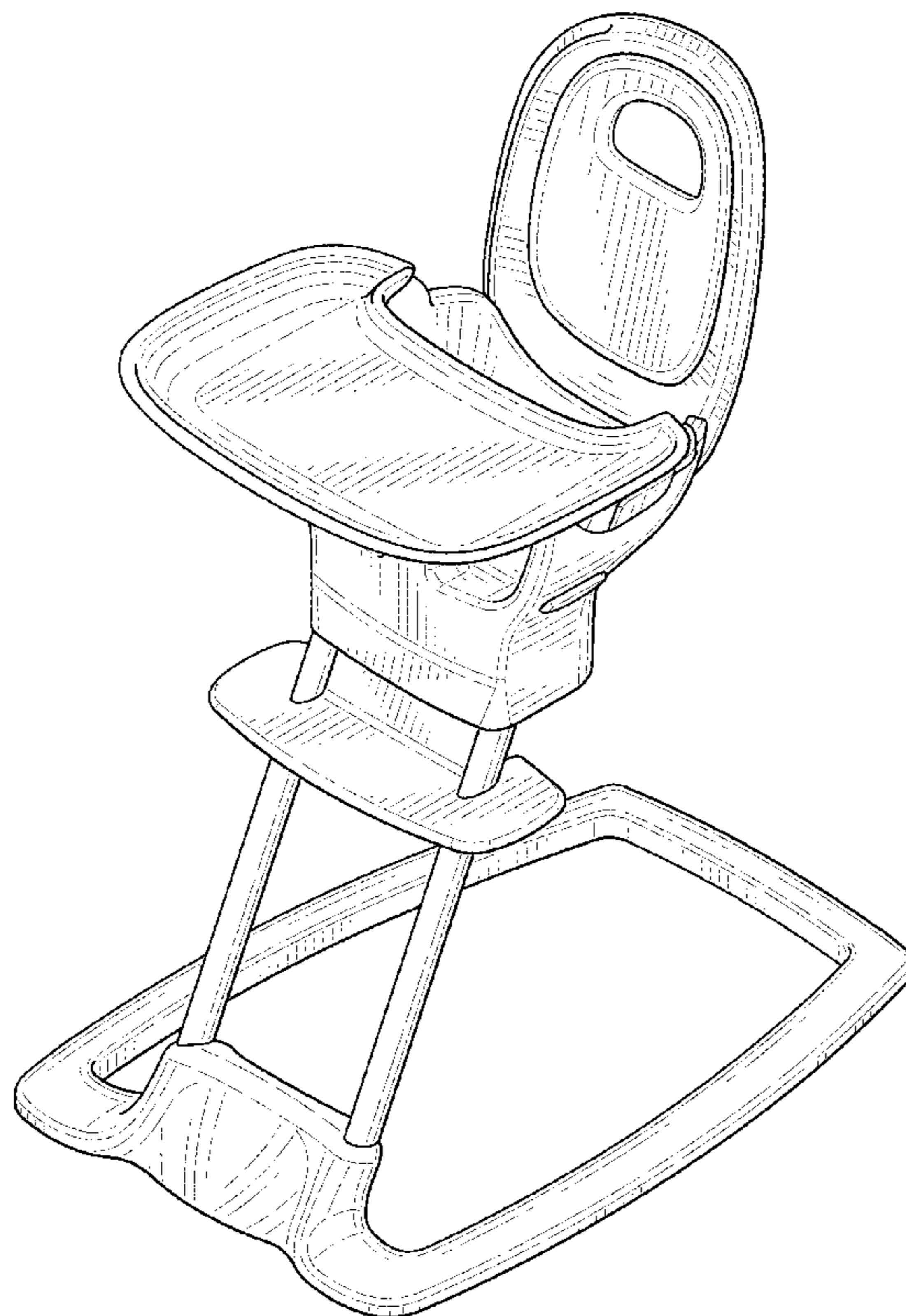
FIG. 5 is a left side view thereof;

FIG. 6 is a top view thereof; and,

FIG. 7 is a bottom view thereof.

The broken lines illustrate portions of the high chair assembly which form no part of the claimed design.

1 Claim, 7 Drawing Sheets



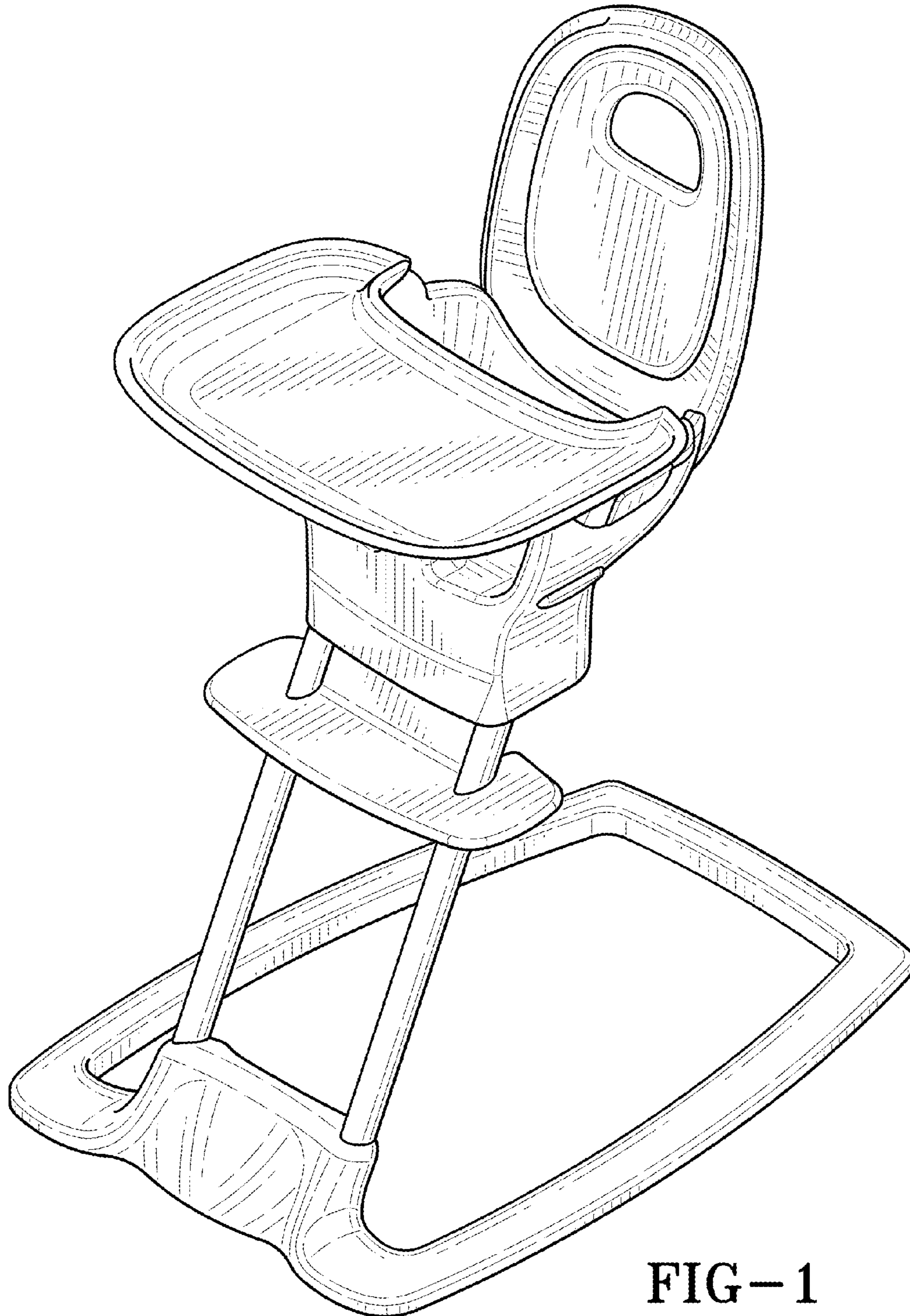


FIG-1

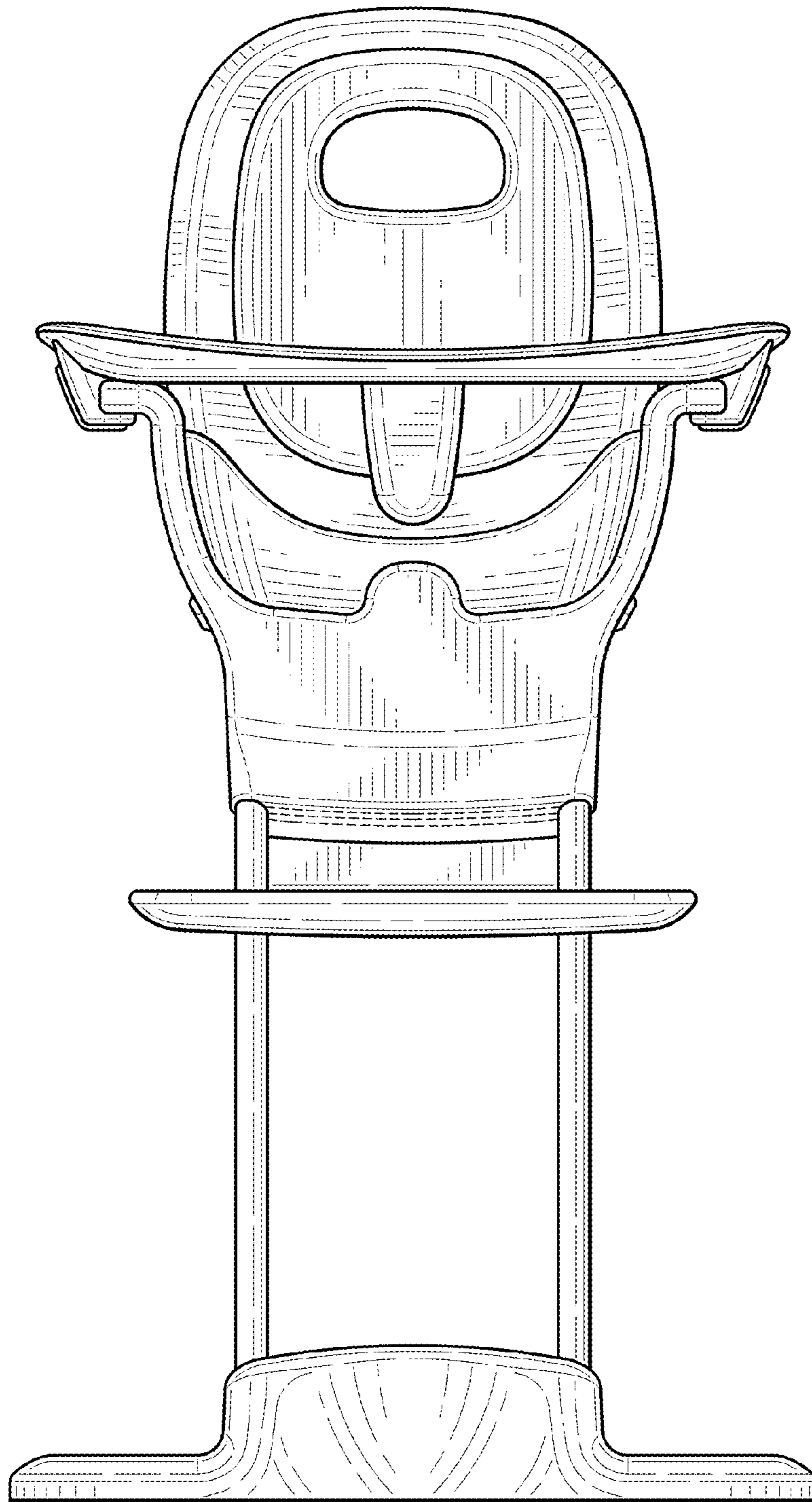


FIG-2

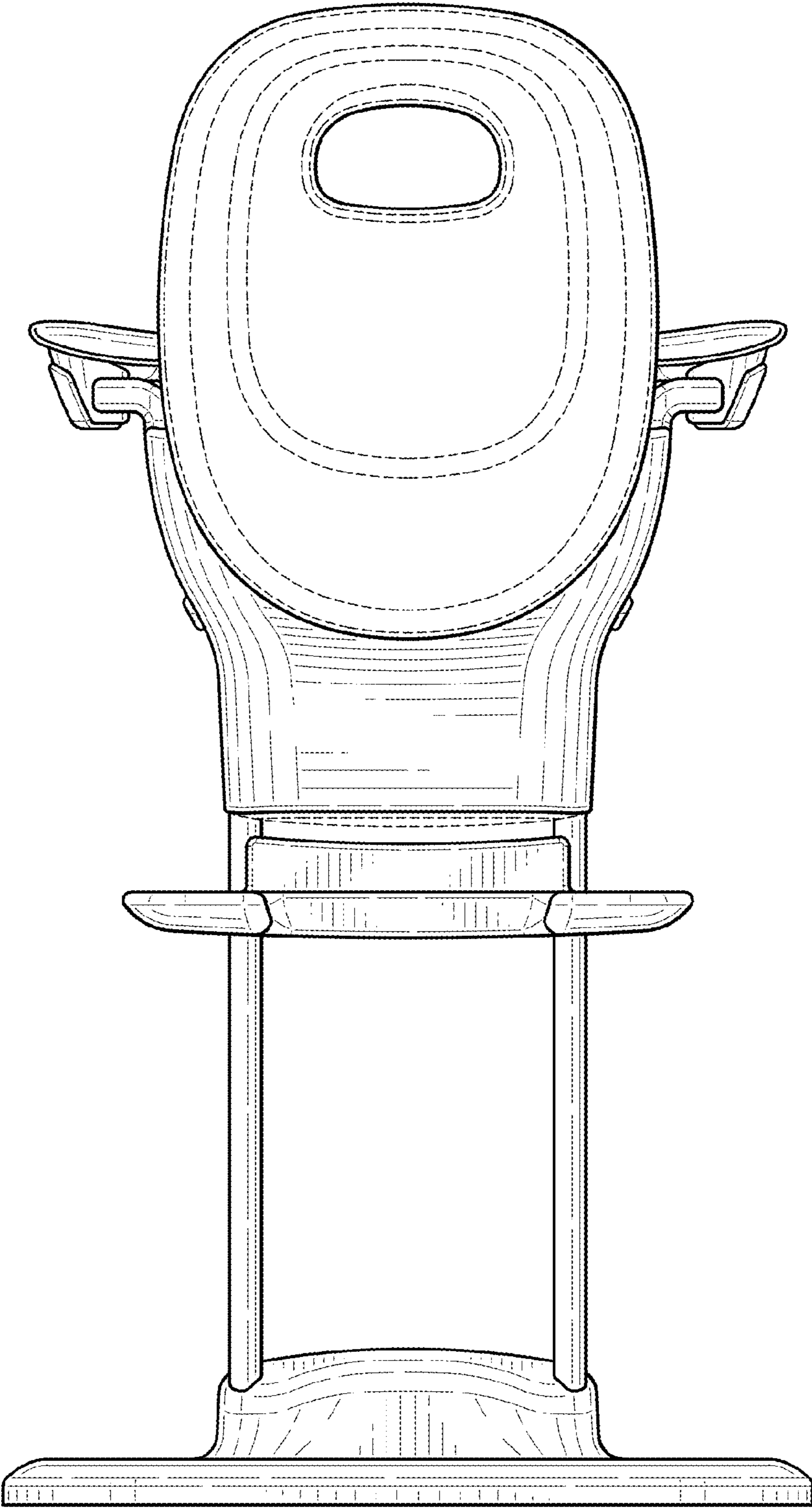


FIG-3

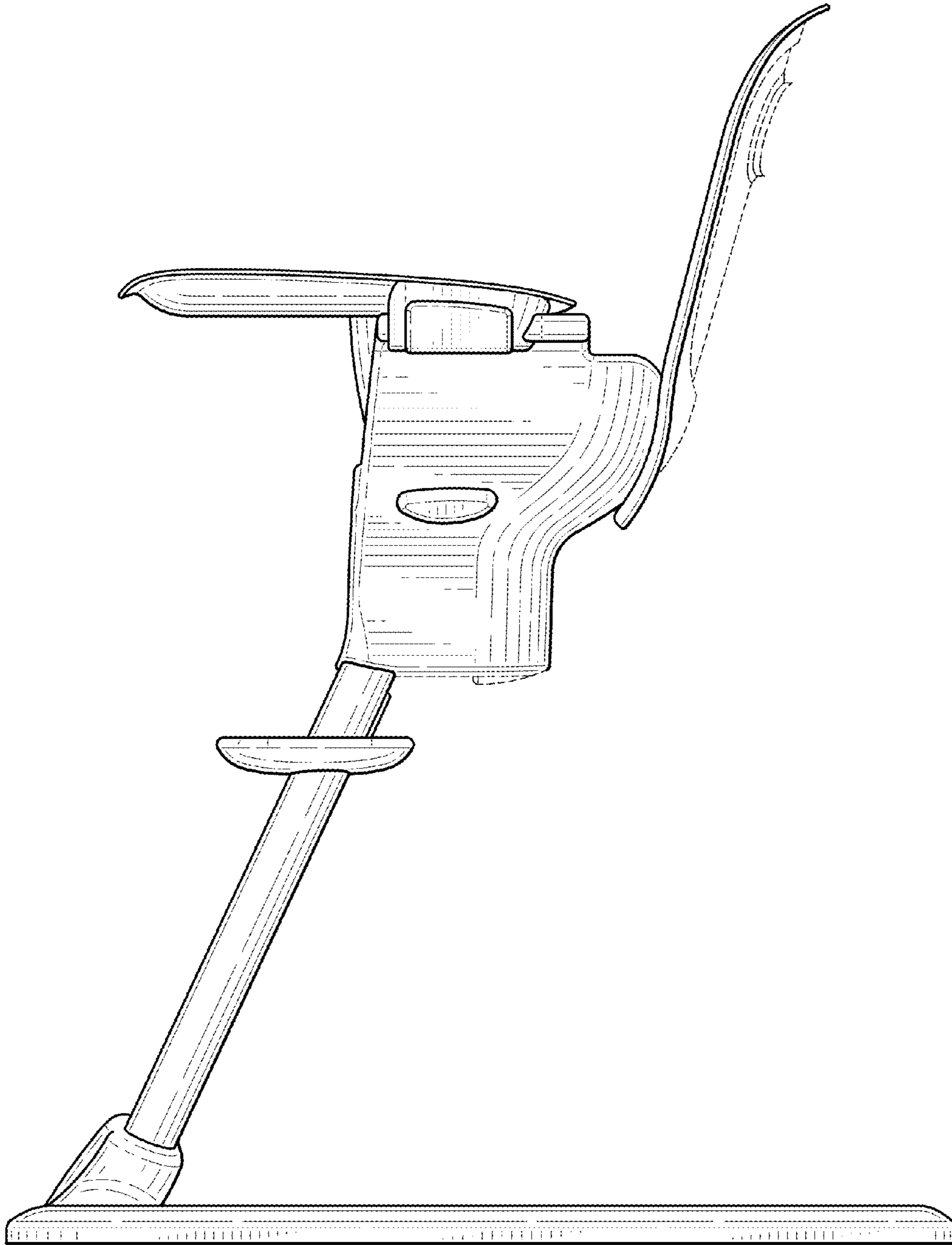


FIG-4

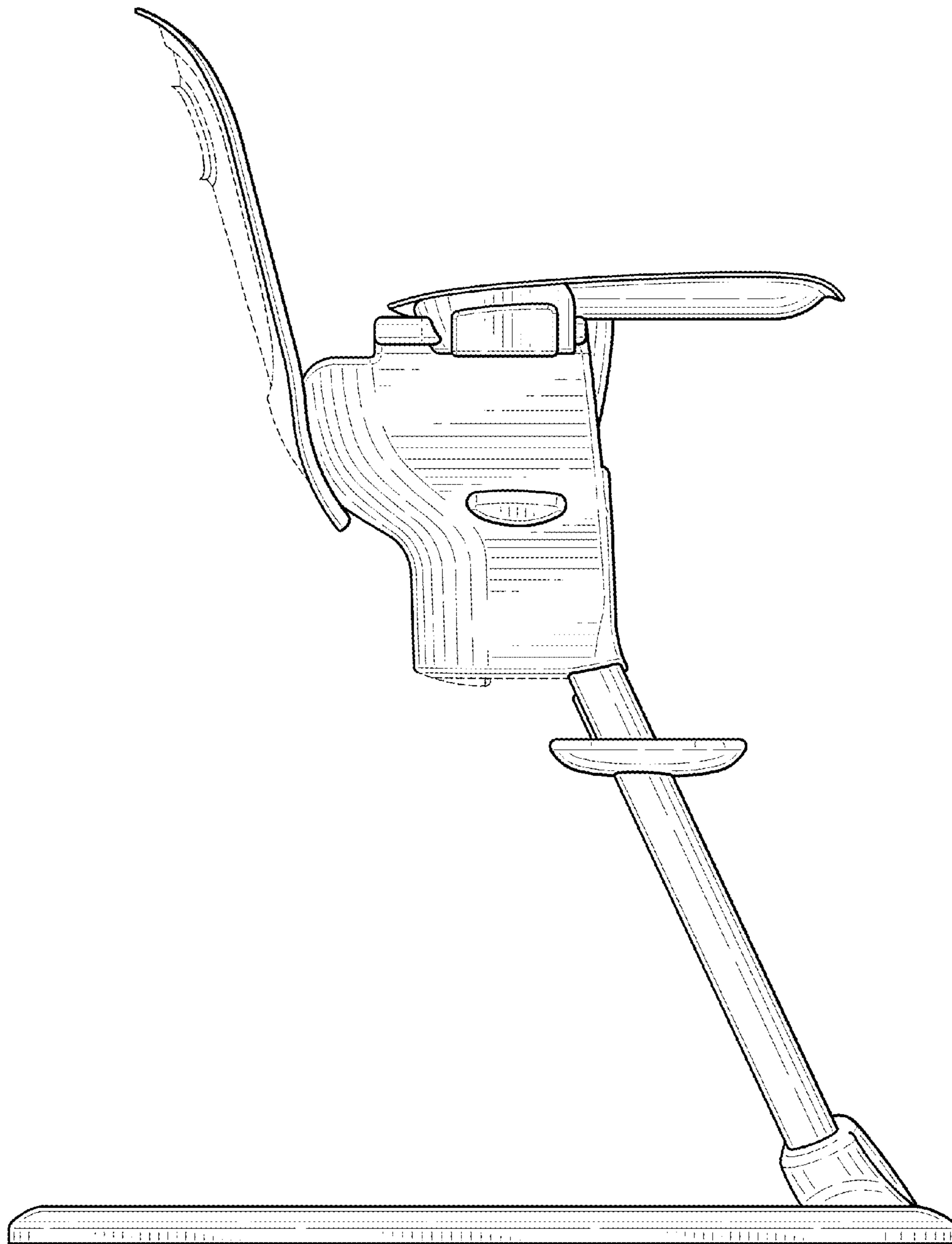


FIG-5

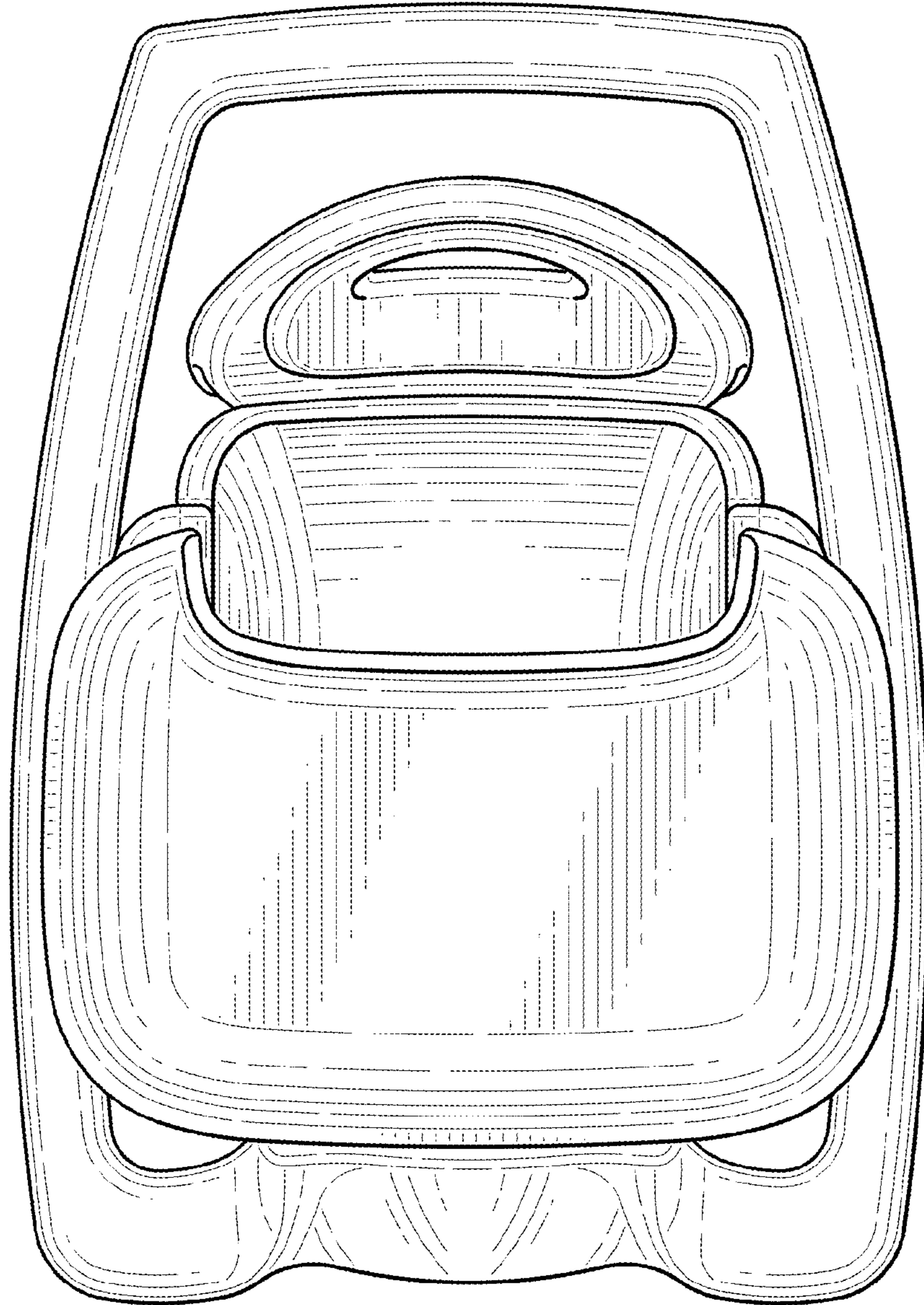


FIG-6

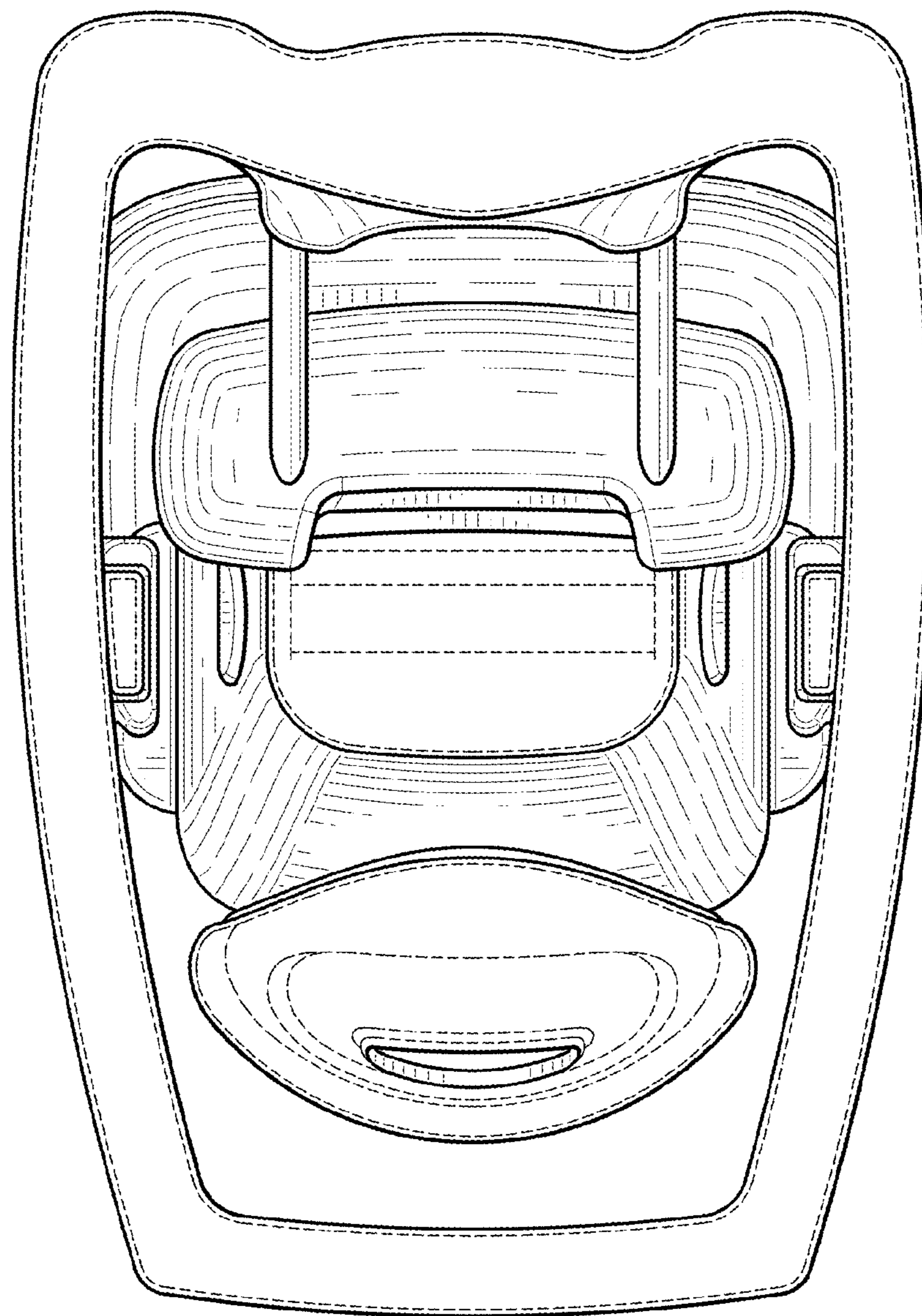


FIG-7